



US00D637398S

(12) **United States Design Patent**
Jiang

(10) **Patent No.:** **US D637,398 S**

(45) **Date of Patent:** **** May 10, 2011**

(54) **PULL-ROD HANDLE FOR LUGGAGE**

(76) **Inventor:** **Hanhui Jiang**, Dongguan (CN)

(**) **Term:** **14 Years**

(21) **Appl. No.:** **29/357,673**

(22) **Filed:** **Mar. 16, 2010**

(51) **LOC (9) Cl.** **03-01**

(52) **U.S. Cl.** **D3/318**

(58) **Field of Classification Search** D3/318,
D3/272-273, 279, 282-283; 190/18 R, 18 A,
190/24, 39, 115, 117, 119

See application file for complete search history.

(56) **References Cited**

U.S. PATENT DOCUMENTS

D528,302 S *	9/2006	Moon	D3/318
D553,364 S *	10/2007	Moon	D3/318
D572,905 S *	7/2008	Wu	D3/318
D607,644 S *	1/2010	Wu	D3/318

* cited by examiner

Primary Examiner — Holly H Baynham

(74) *Attorney, Agent, or Firm* — Rosenberg, Klein & Lee

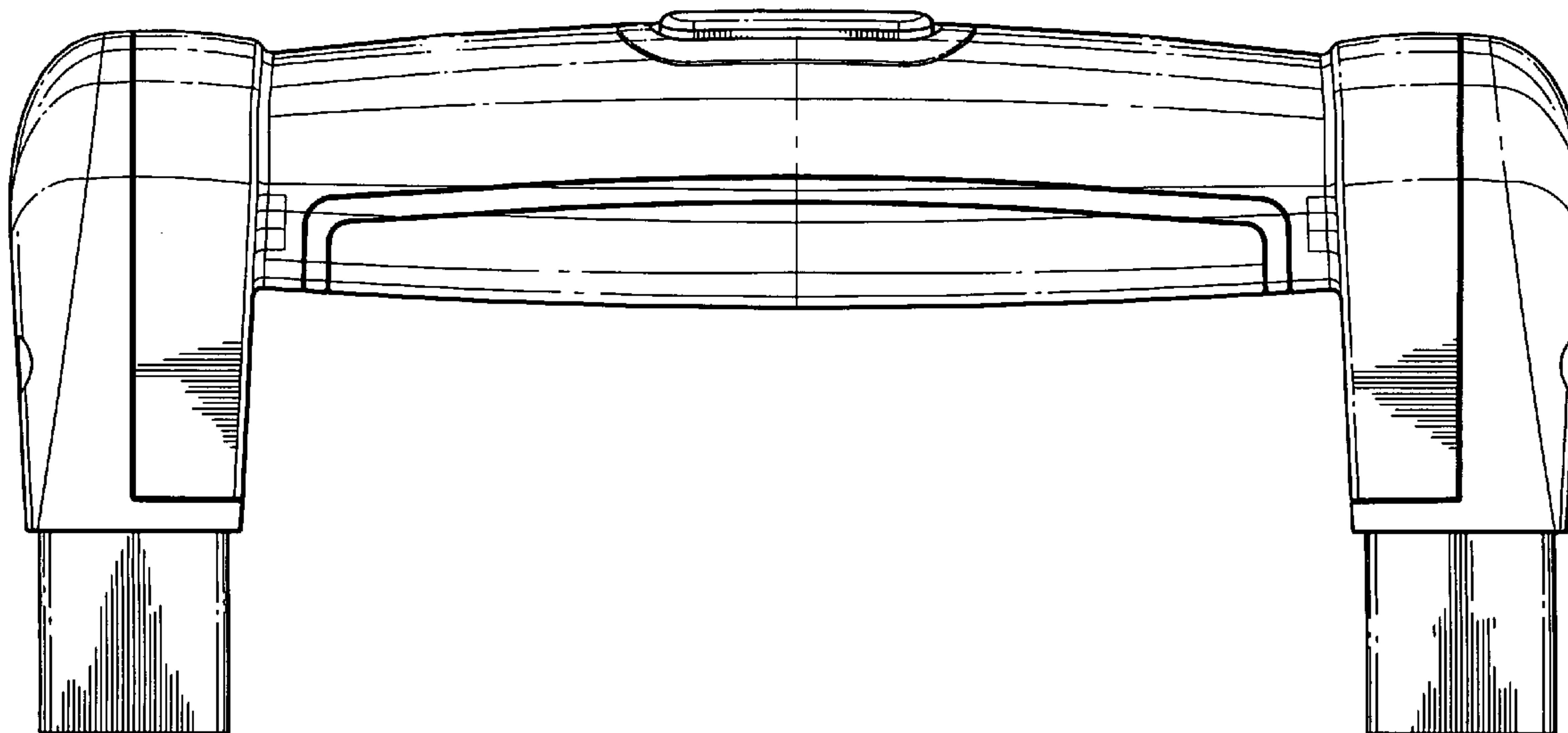
(57) **CLAIM**

The design for “pull-rod handle for luggage,” is as shown.

DESCRIPTION

FIG. 1 is front view of pull-rod handle for luggage
FIG. 2 is left view of pull-rod handle for luggage
FIG. 3 is right view of pull-rod handle for luggage
FIG. 4 is bottom view of pull-rod handle for luggage
FIG. 5 is top view of pull-rod handle for luggage; and,
FIG. 6 is perspective view of pull-rod handle for luggage.

1 Claim, 6 Drawing Sheets



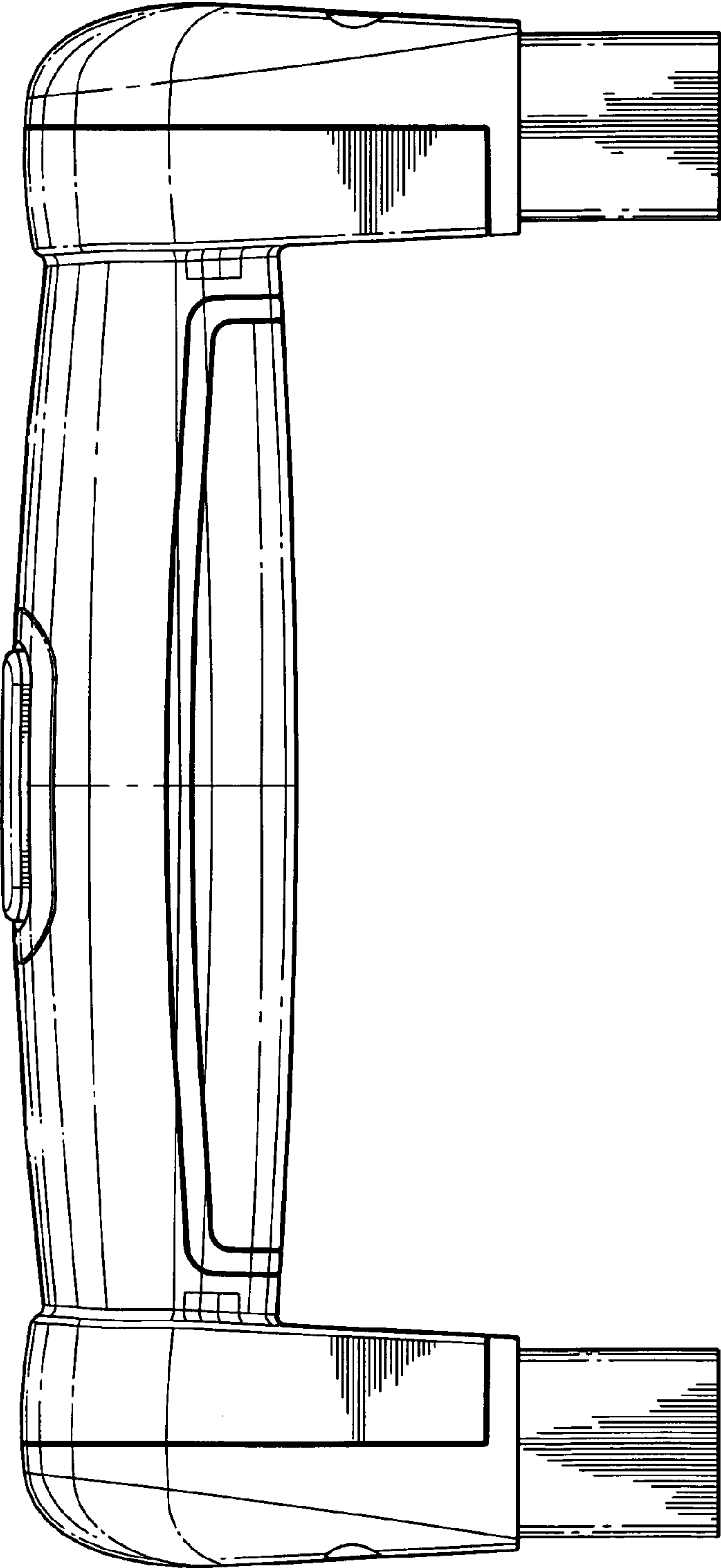


FIG. 1

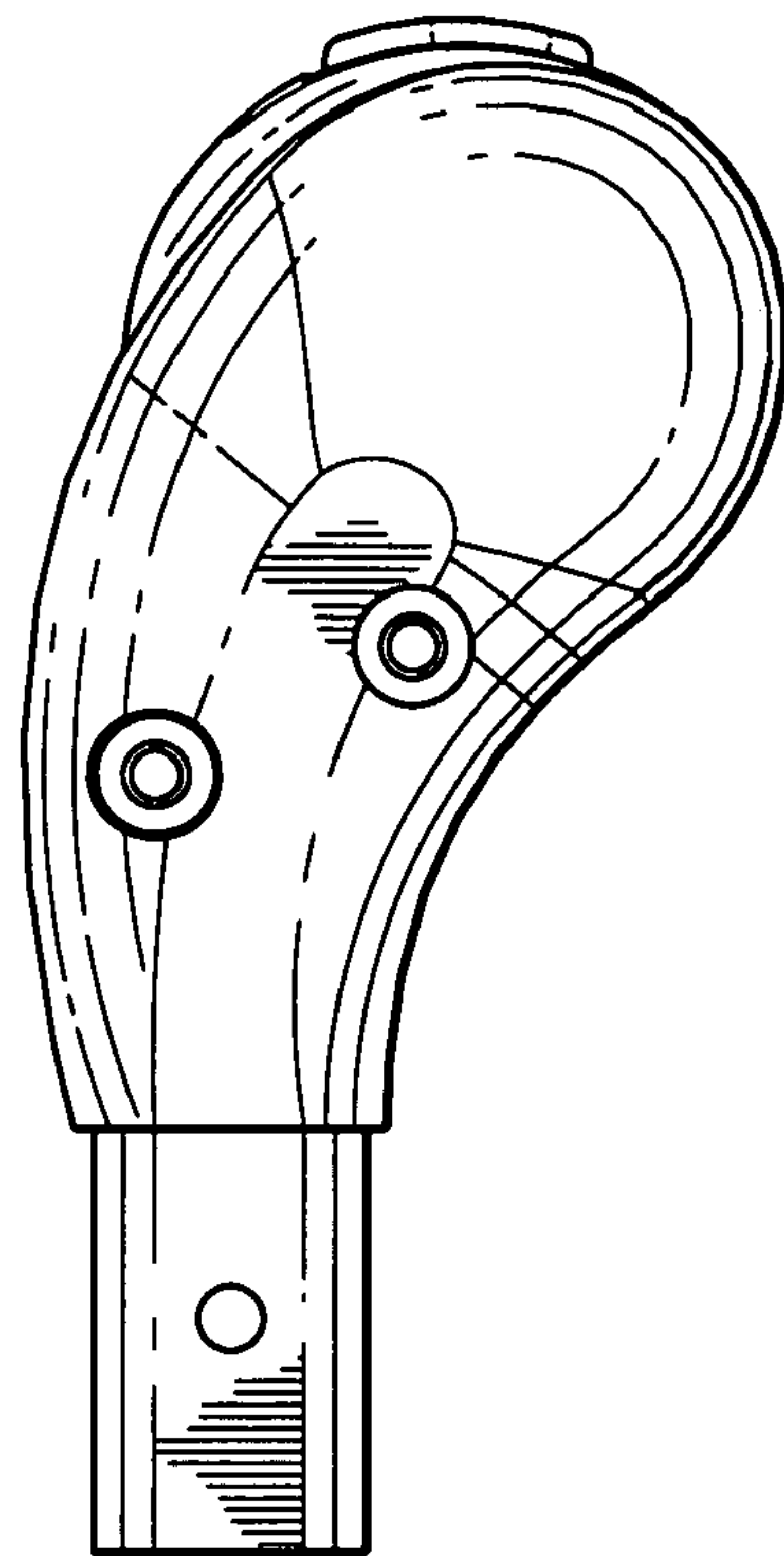


FIG. 2

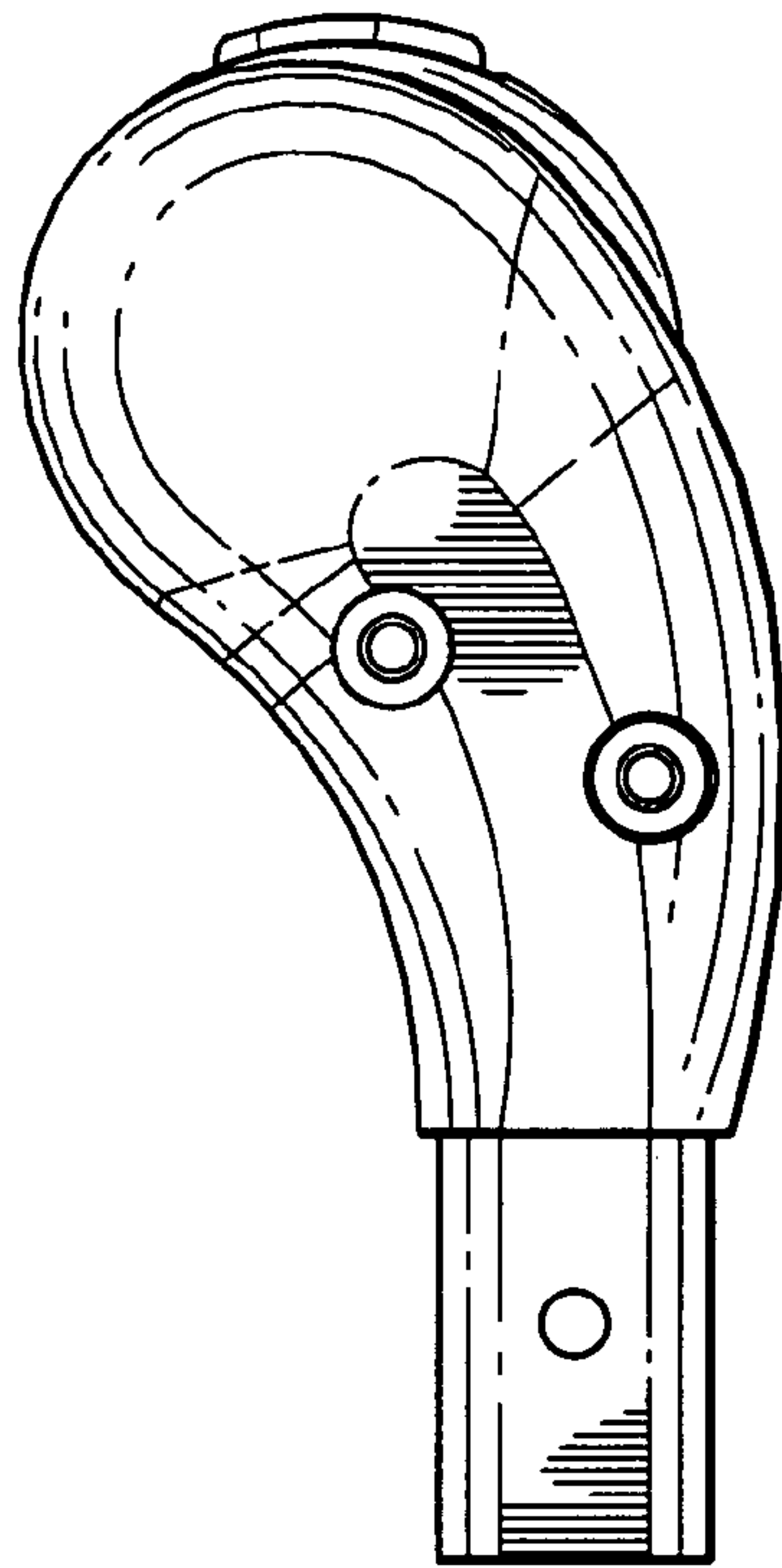


FIG. 3

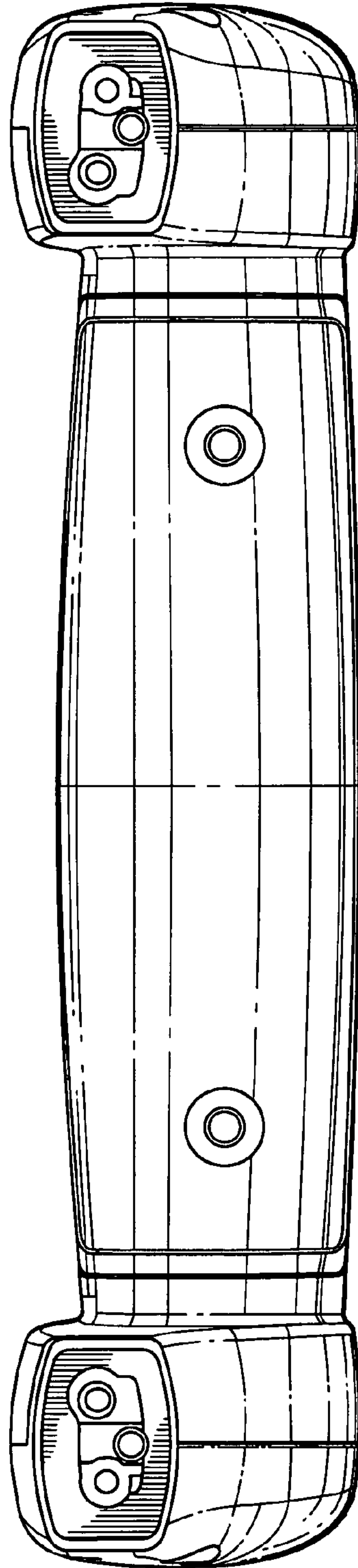


FIG. 4

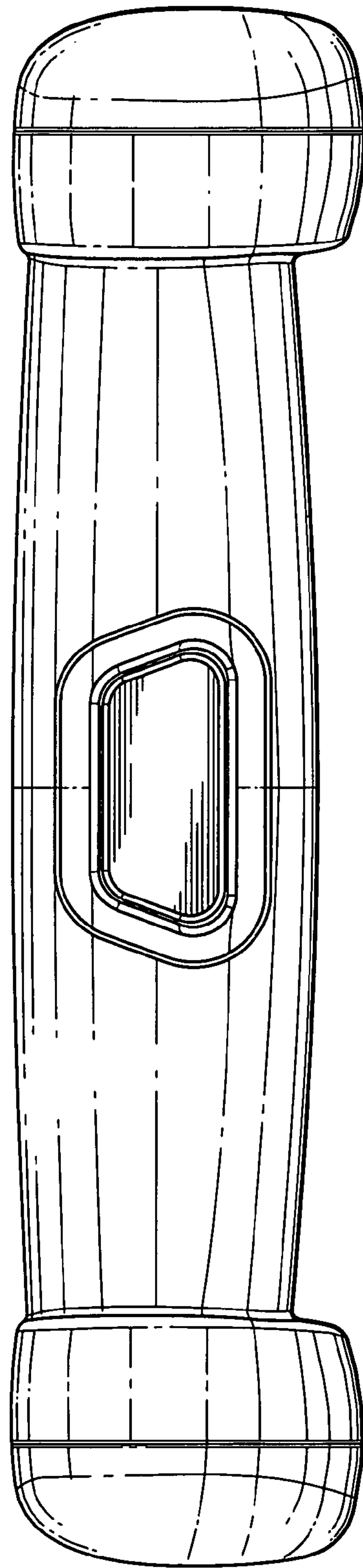


FIG. 5

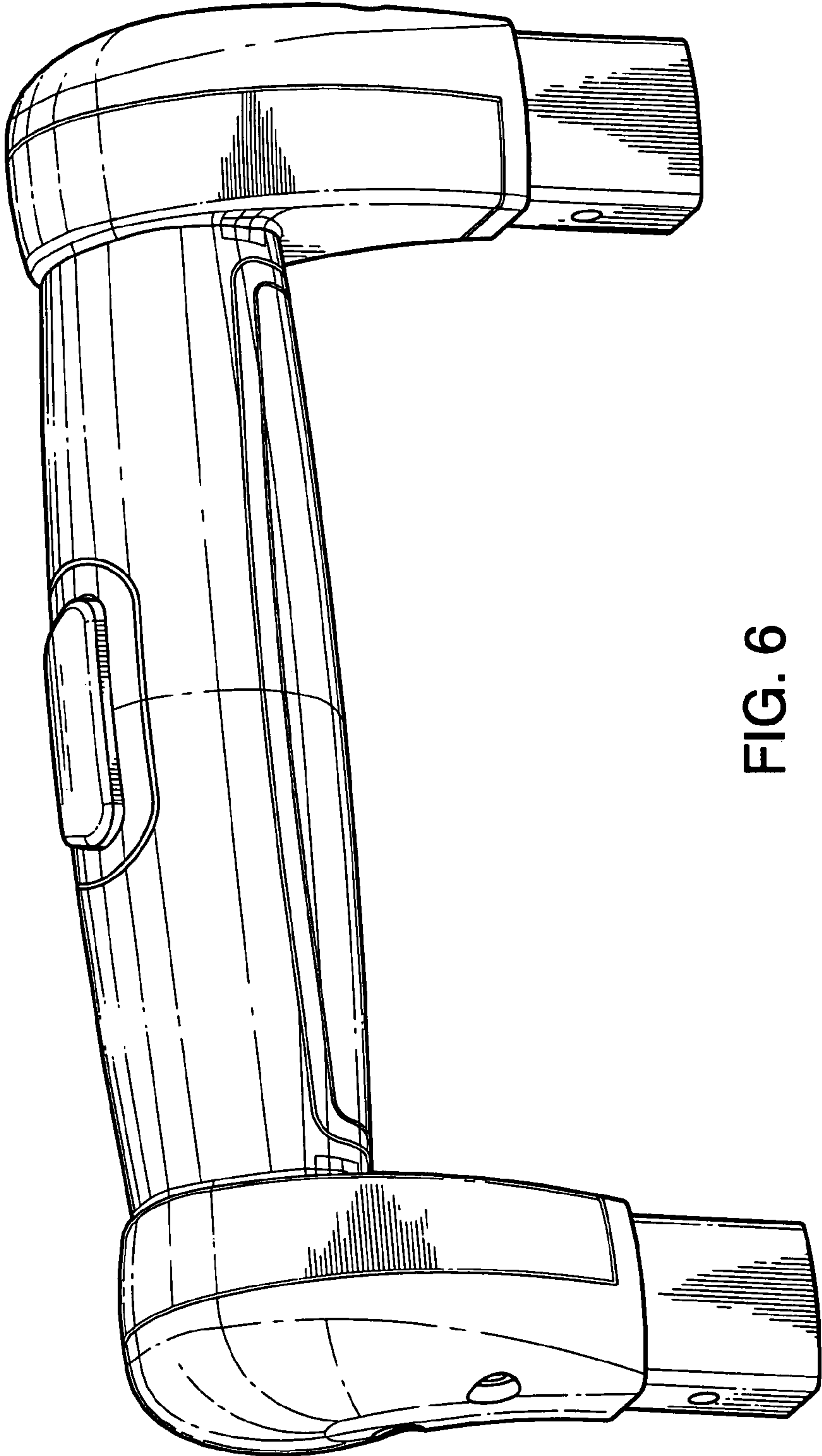


FIG. 6