



US00D637394S

(12) **United States Design Patent**  
**Cunningham et al.**

(10) **Patent No.:** **US D637,394 S**

(45) **Date of Patent:** **\*\* May 10, 2011**

(54) **UTILITY BELT**

D507,106 S \* 7/2005 Lyle ..... D3/228  
D571,553 S \* 6/2008 Logan et al. .... D3/226

(75) Inventors: **Alan D. Cunningham**, Yellowknife (CA); **Gary Amstutz**, Surrey (CA)

\* cited by examiner

(73) Assignee: **Alanco Holdings Ltd.**, Yellowknife, Northwest Territories (CA)

*Primary Examiner* — Catherine R Oliver

(74) *Attorney, Agent, or Firm* — Oyen Wiggs Green & Mutala LLP

(\*\*) Term: **14 Years**

(57) **CLAIM**

(21) Appl. No.: **29/369,671**

The ornamental design for a utility belt, as shown and described.

(22) Filed: **Sep. 10, 2010**

**DESCRIPTION**

(51) **LOC (9) Cl.** ..... **03-01**

(52) **U.S. Cl.** ..... **D3/228; D3/226**

(58) **Field of Classification Search** ..... D3/228, D3/226, 215, 224, 232–233, 247–249; 224/667, 224/669, 676–677, 934, 240–241, 683–684; 383/59, 60–61, 61.2, 69, 85; D2/625–629  
See application file for complete search history.

FIG. 1 is a perspective view of the design;  
FIG. 2 is a right side view thereof;  
FIG. 3 is a front view thereof;  
FIG. 4 is top view thereof;  
FIG. 5 is bottom view thereof;  
FIG. 6 is a rear view thereof; and,  
FIG. 7 is left side view thereof.

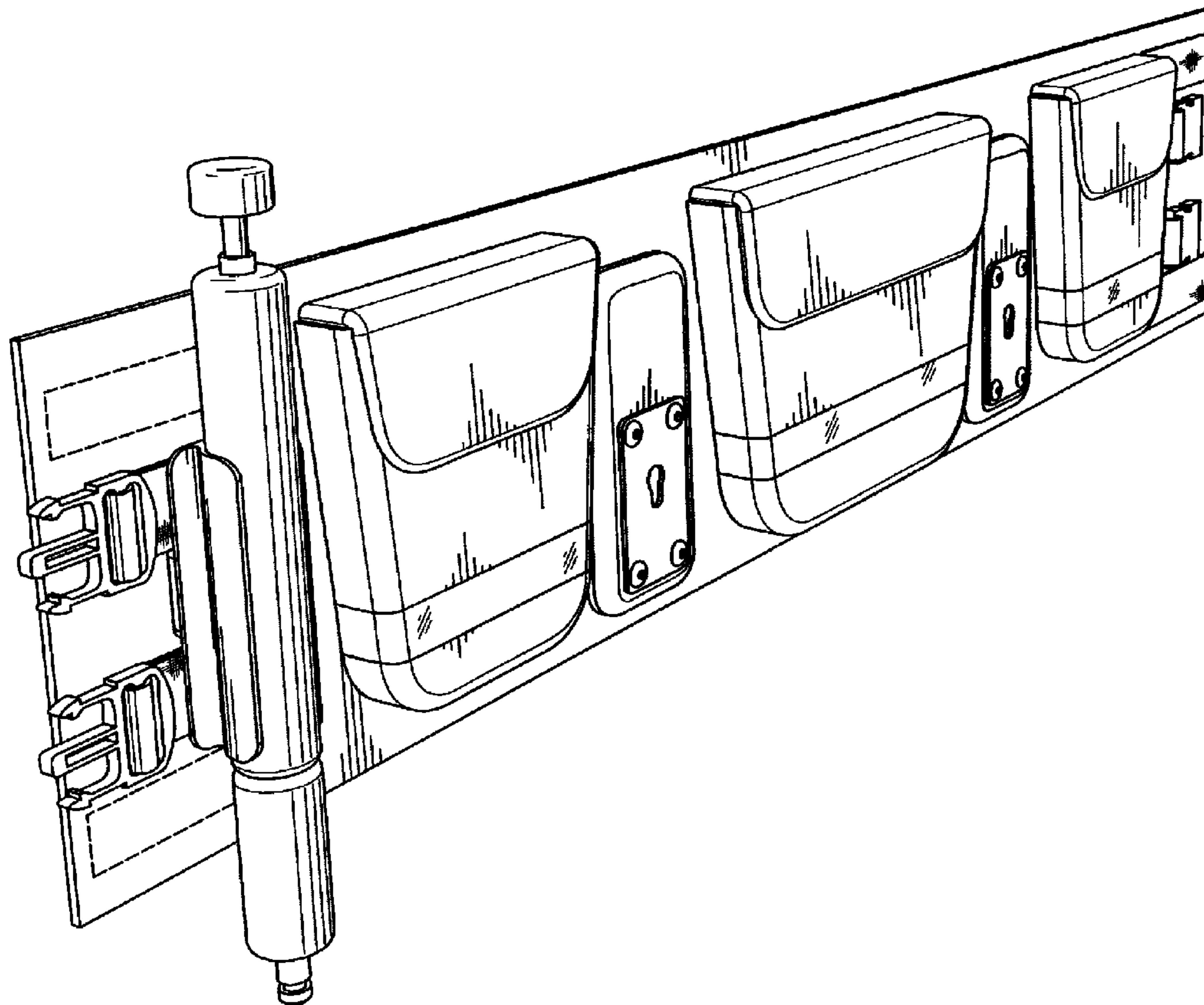
The features shown in broken lines are for illustrative purposes only and form no part of the design as claimed. Contour lines are used to illustrate surface contours.

(56) **References Cited**

**U.S. PATENT DOCUMENTS**

5,827,098 A 10/1998 Cunningham  
D496,787 S \* 10/2004 Cabrera et al. .... D3/228

**1 Claim, 3 Drawing Sheets**



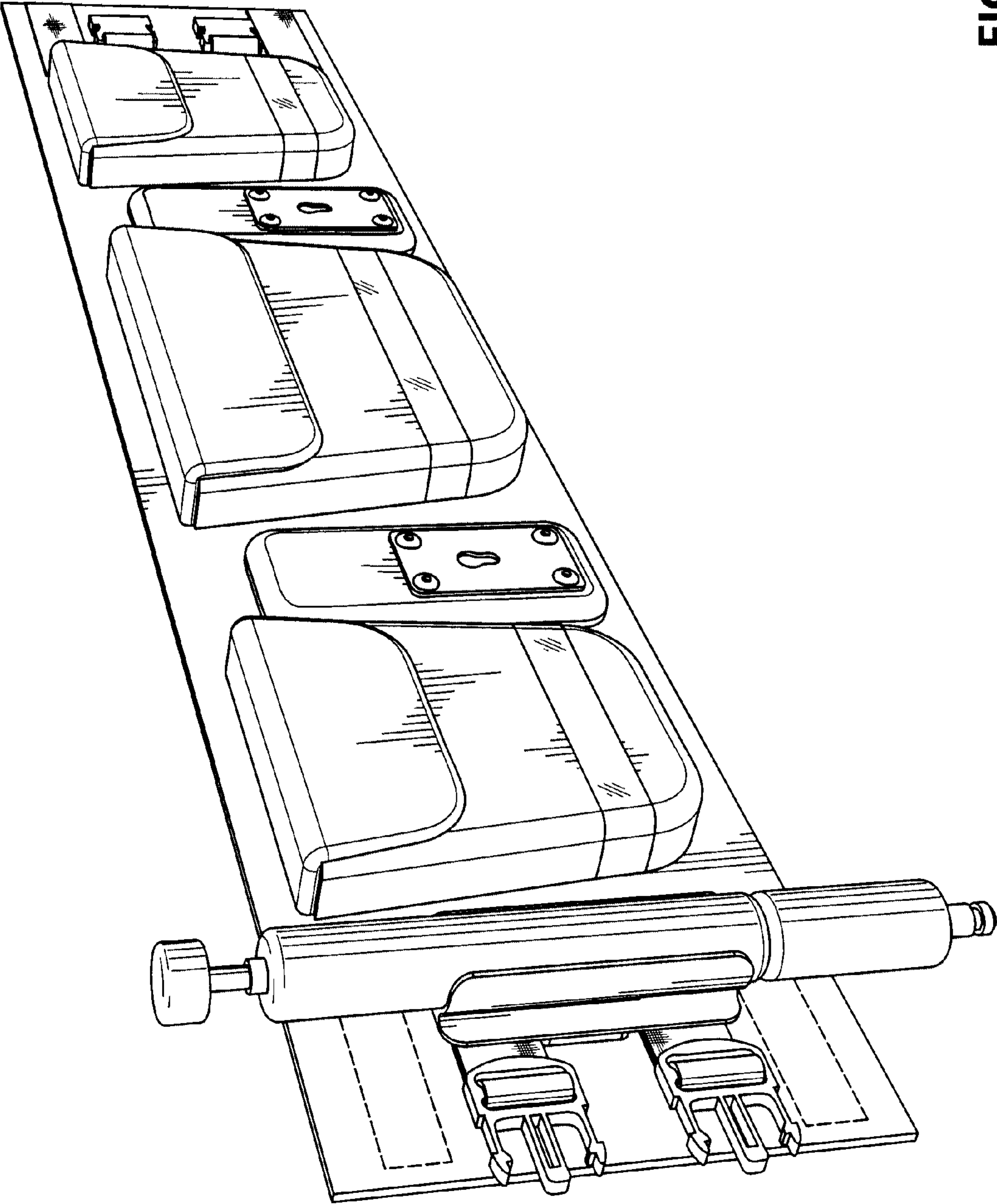


FIG. 1

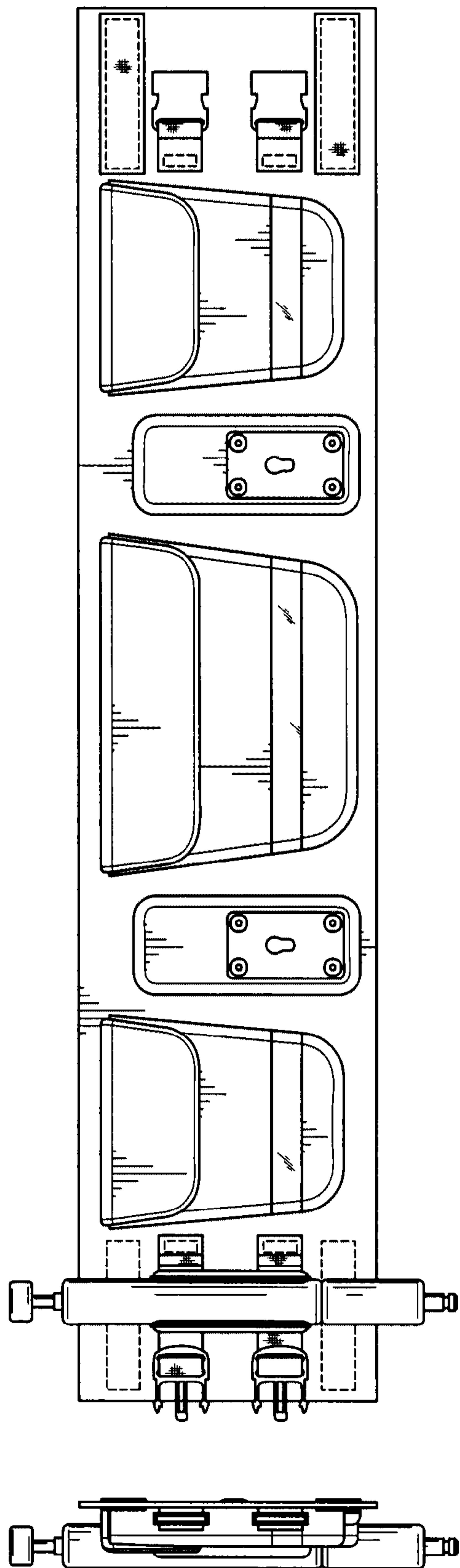


FIG. 2

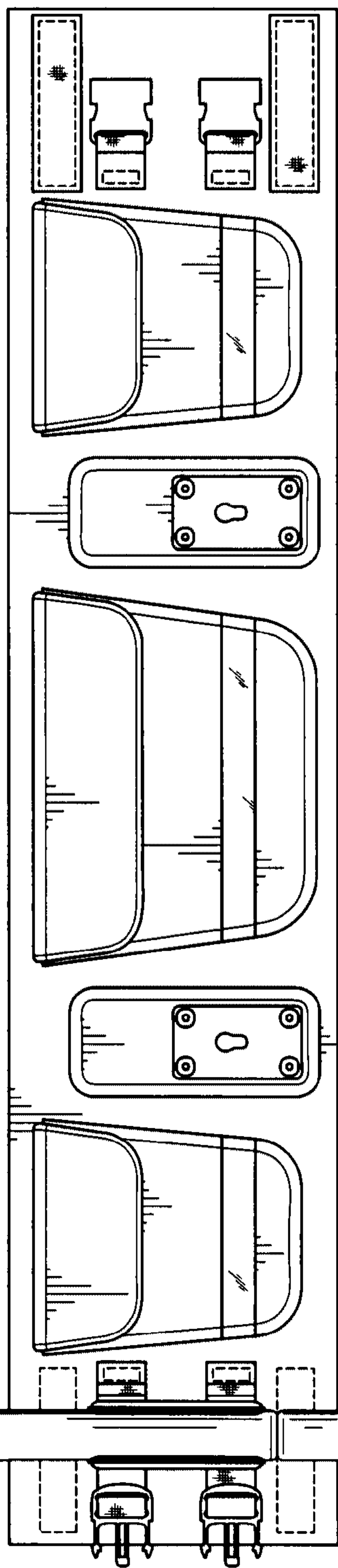


FIG. 3



FIG. 4

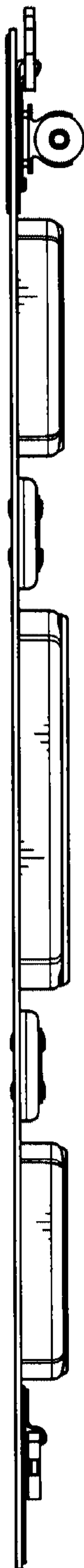


FIG. 5



FIG. 6

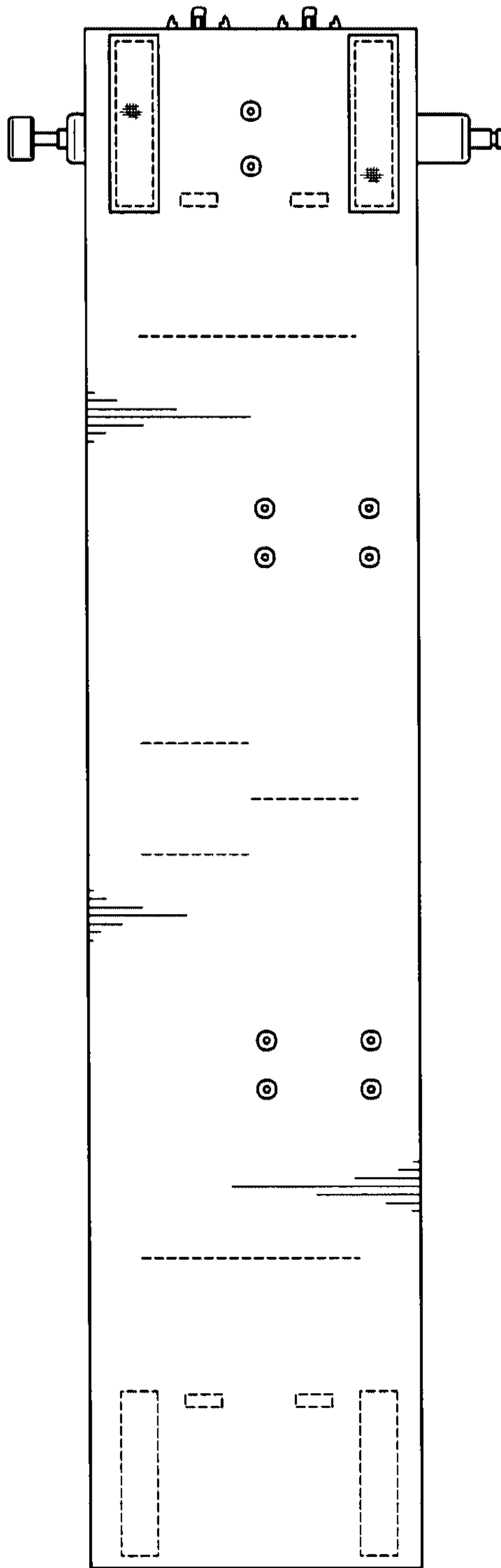


FIG. 7