



US00D637393S

(12) **United States Design Patent**  
**Stampfli**

(10) **Patent No.:** **US D637,393 S**

(45) **Date of Patent:** **\*\* May 10, 2011**

(54) **3G PHONE HOLSTER**

(76) Inventor: **Urs Stampfli**, Weston, FL (US)

(\*\*) Term: **14 Years**

(21) Appl. No.: **29/375,171**

(22) Filed: **Sep. 17, 2010**

**Related U.S. Application Data**

(63) Continuation of application No. 12/820,110, filed on Jun. 21, 2010.

(51) **LOC (9) Cl.** ..... **03-01**

(52) **U.S. Cl.** ..... **D3/218**

(58) **Field of Classification Search** ..... D3/218,  
D3/201, 215, 219, 269, 272; 224/240, 245,  
224/929-930, 667, 587, 683; D14/138, 250-251,  
D14/253, 345, 432, 439-440; 379/437, 440,  
379/446-447, 449-455; 455/575.1, 575.6,  
455/575.8, 575.9

See application file for complete search history.

(56) **References Cited**

**U.S. PATENT DOCUMENTS**

D515,310 S *	2/2006	Liu et al. ....	D3/218
D517,311 S *	3/2006	Kim .....	D3/218
D565,290 S *	4/2008	Brandenburg et al. ....	D3/218
D609,463 S *	2/2010	Bullen .....	D3/218

\* cited by examiner

*Primary Examiner* — Catherine R Oliver

(74) *Attorney, Agent, or Firm* — Novak Druce + Quigg;  
Joseph W. Bain

(57) **CLAIM**

The ornamental design for a 3G phone holster, as shown and described.

**DESCRIPTION**

FIG. 1 is a perspective view of one embodiment of the 3G phone holster, showing my ornamental design;

FIG. 2 is another perspective view of an embodiment of the 3G phone holster, showing my ornamental design;

FIG. 3 is a rear perspective view of the ornamental design of FIGS. 1 and 2;

FIG. 4 is a front elevation view of the ornamental design of FIGS. 1 and 2;

FIG. 5 is a rear elevation view of the ornamental design of FIGS. 1 and 2;

FIG. 6 is a right side elevation view of the ornamental design of FIGS. 1 and 2;

FIG. 7 is a left side elevation view of the ornamental design of FIGS. 1 and 2;

FIG. 8 is a bottom plan view of the ornamental design of FIGS. 1 and 2;

FIG. 9 is a top plan view of the ornamental design of FIGS. 1 and 2;

FIG. 10 is a perspective view of the ornamental design of the 3G phone holster in a closed position;

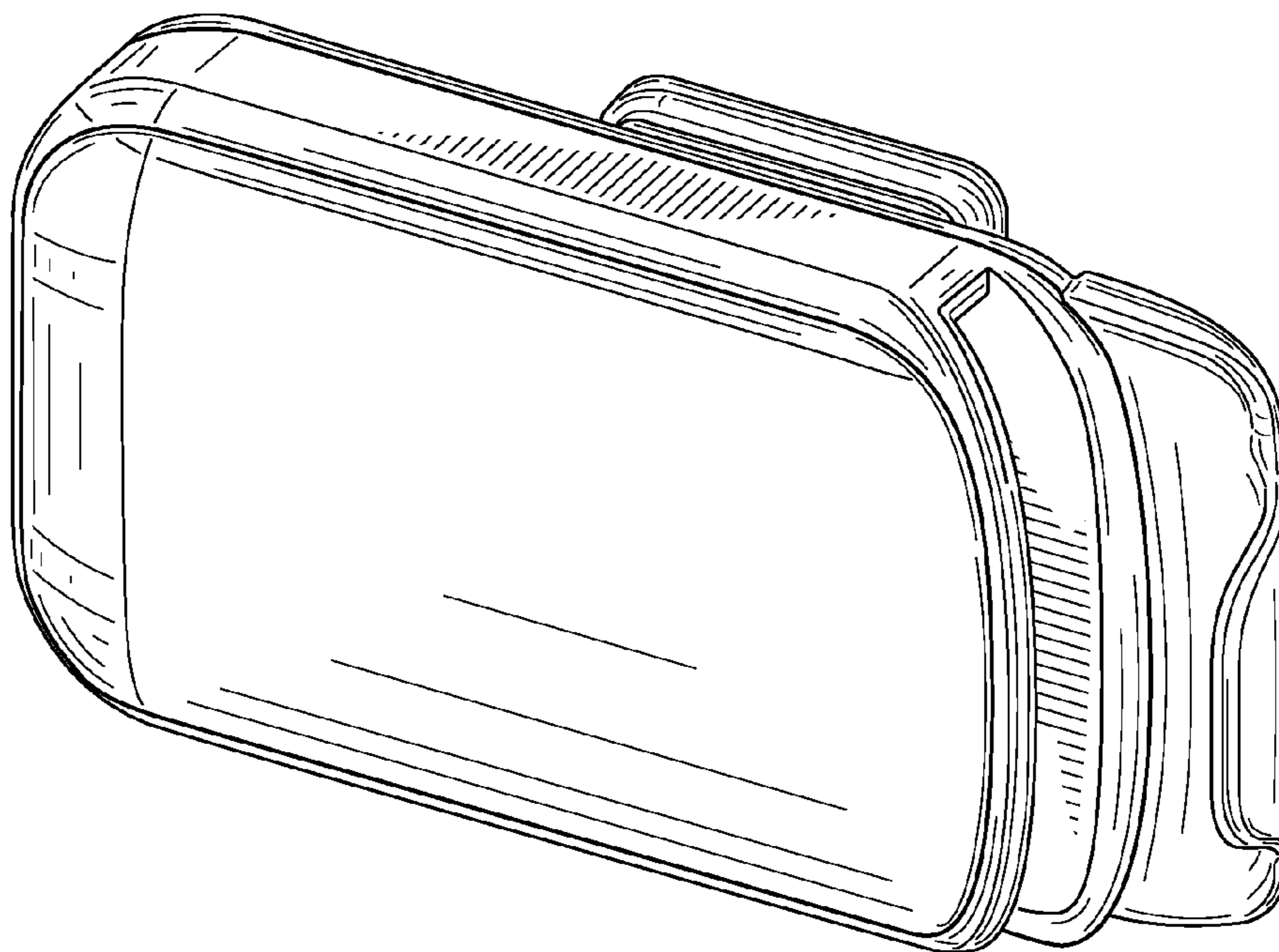
FIG. 11 is a perspective view of the ornamental design of FIG. 10 in an open position;

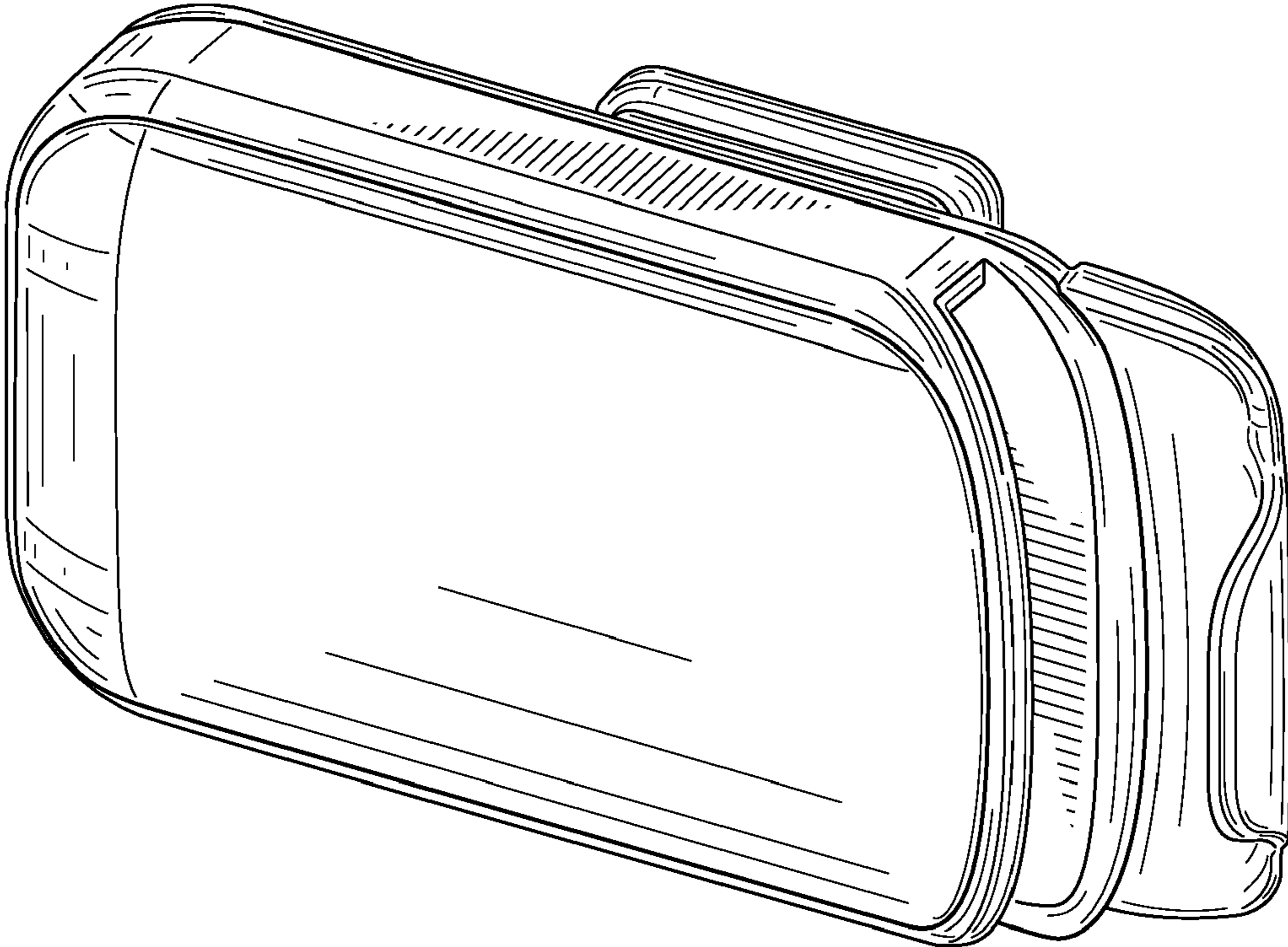
FIG. 12 is another perspective view of the ornamental design in an open position; and,

FIG. 13 is a rear perspective view of the ornamental design of the 3G phone holster in a closed position.

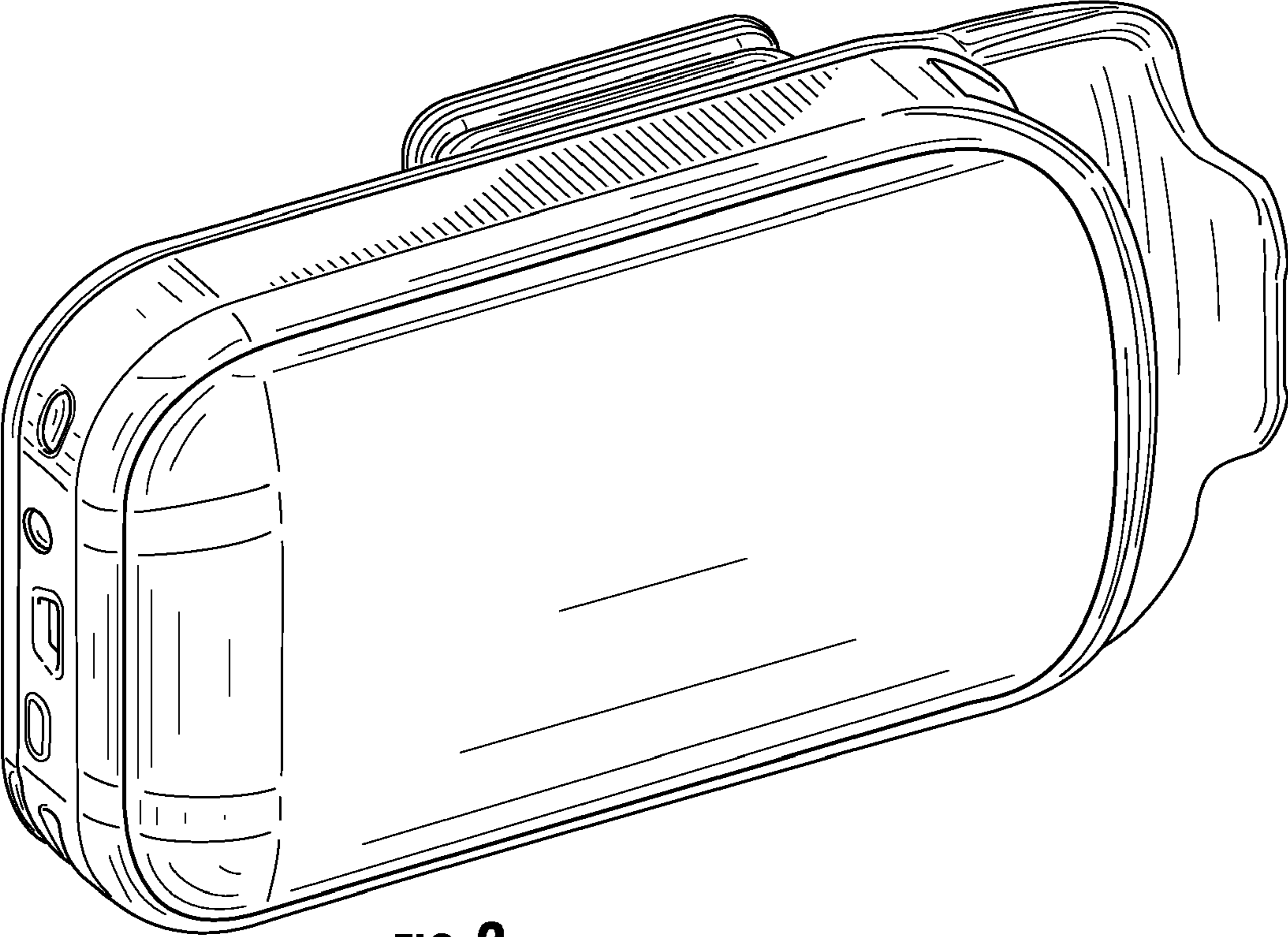
The broken line portions are for illustration purposes only and form no part of the claimed design.

**1 Claim, 7 Drawing Sheets**

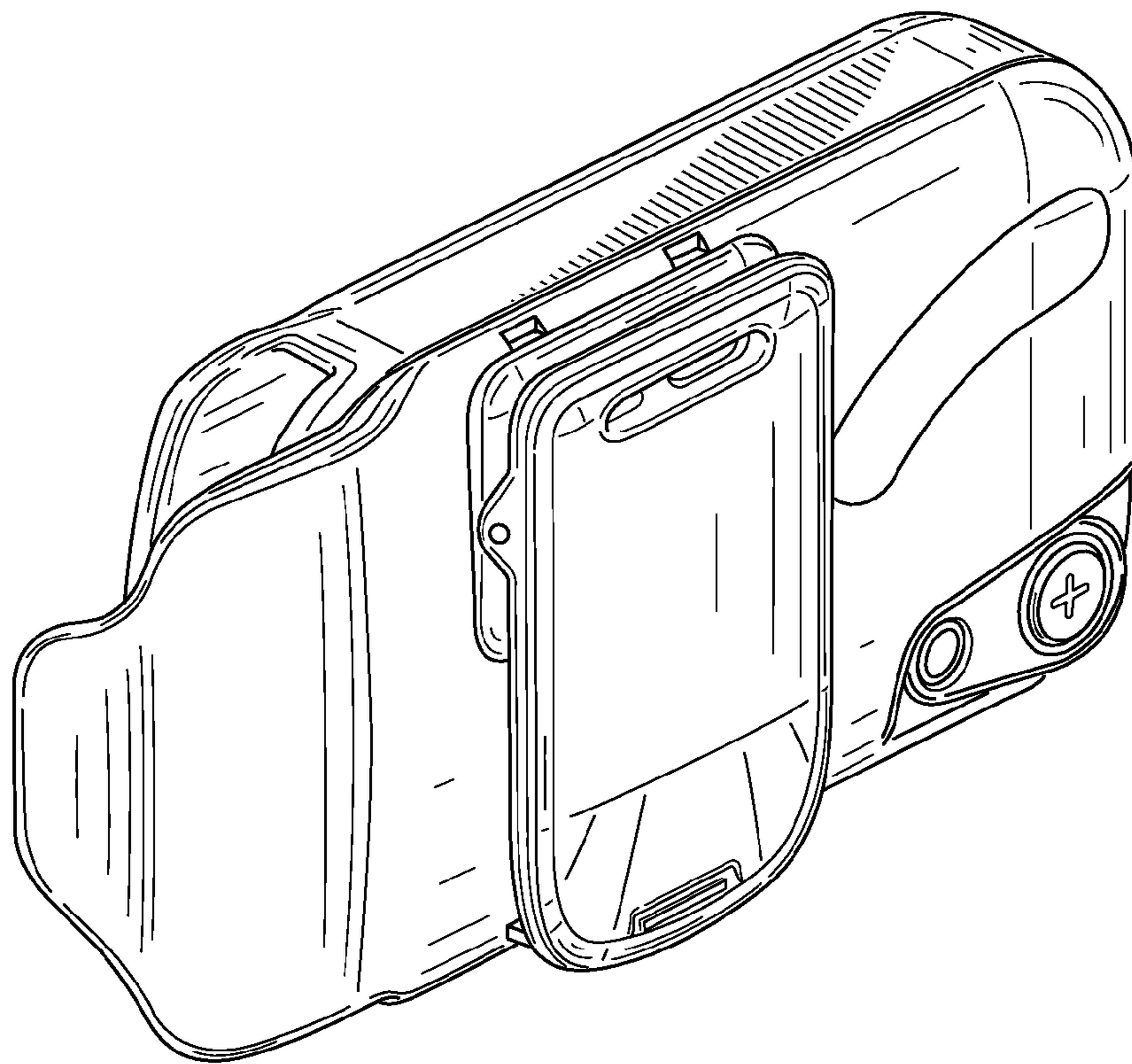




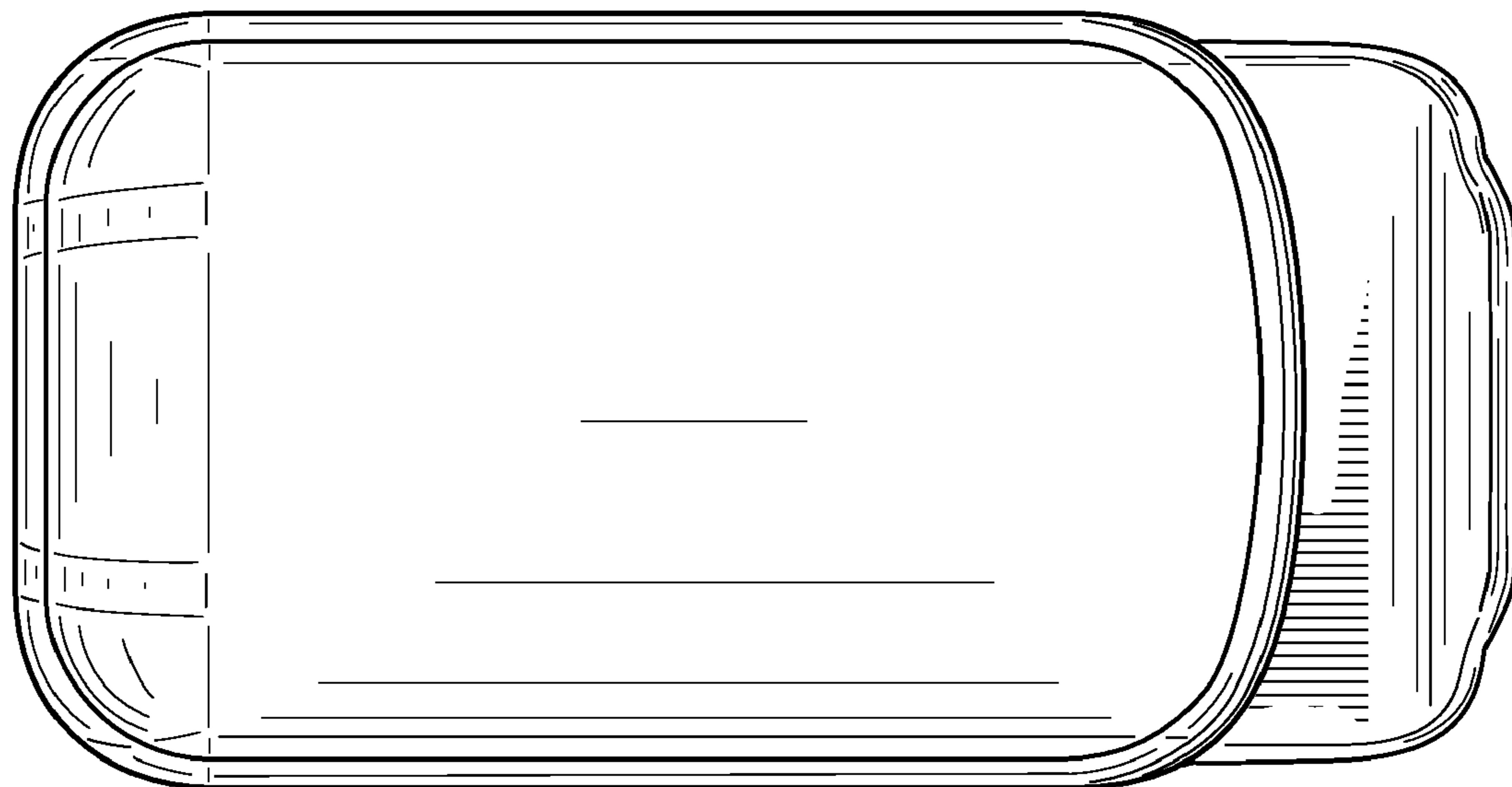
**FIG. 1**



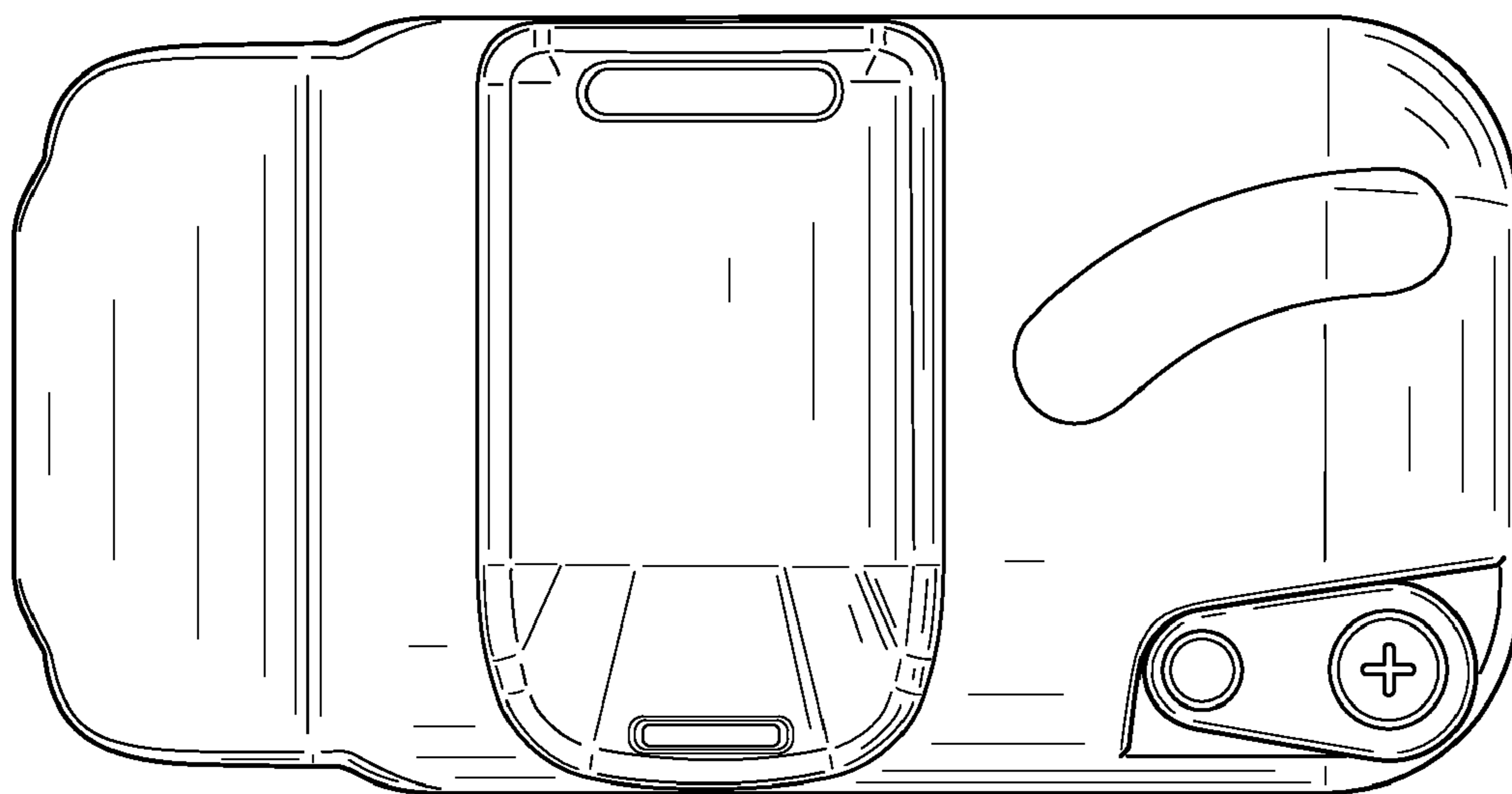
**FIG. 2**



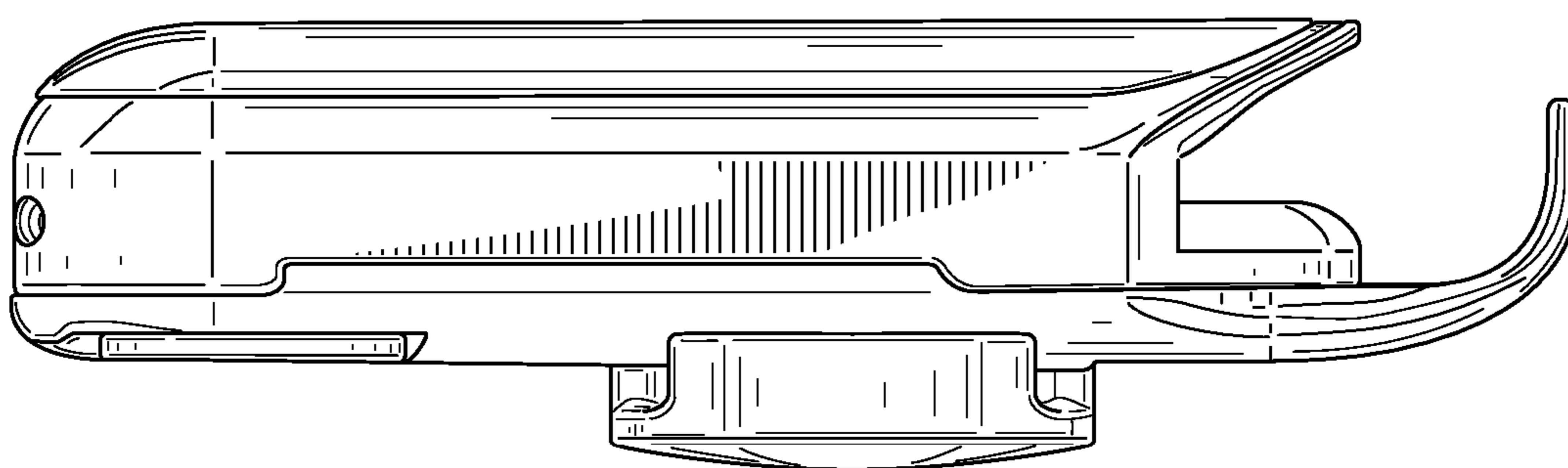
**FIG. 3**



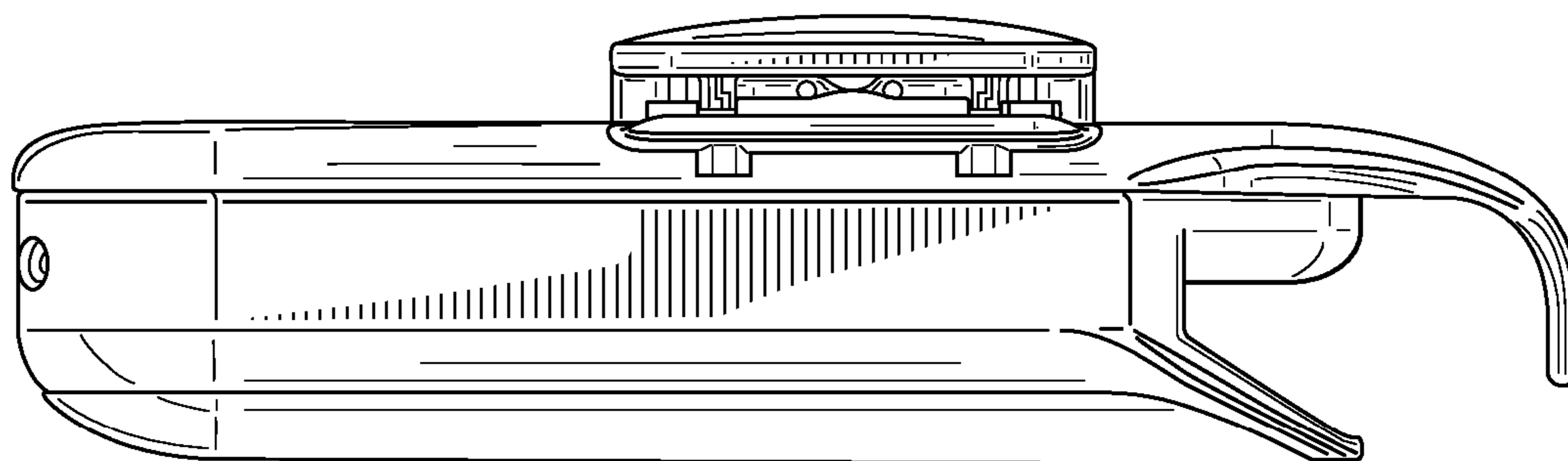
**FIG. 4**



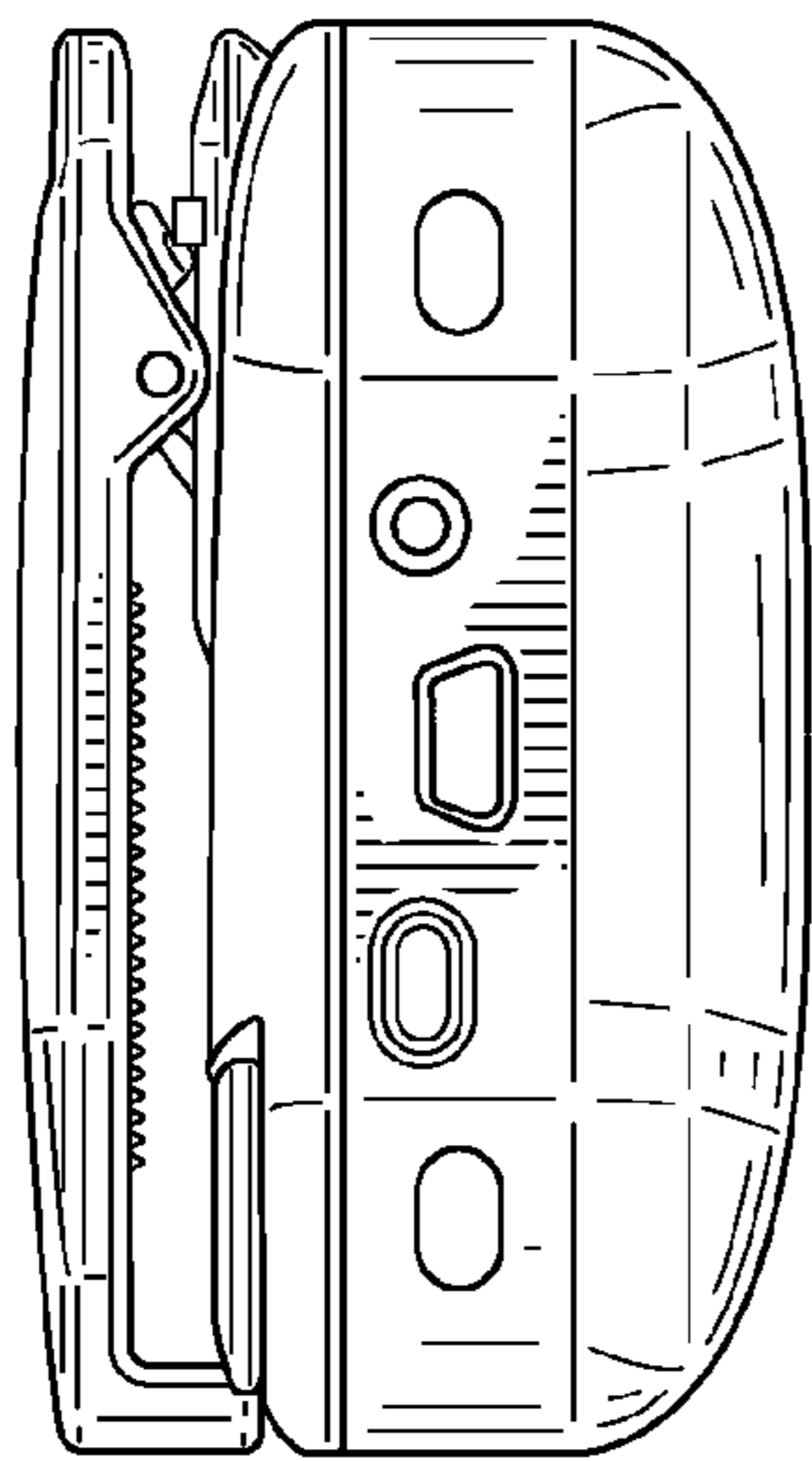
**FIG. 5**



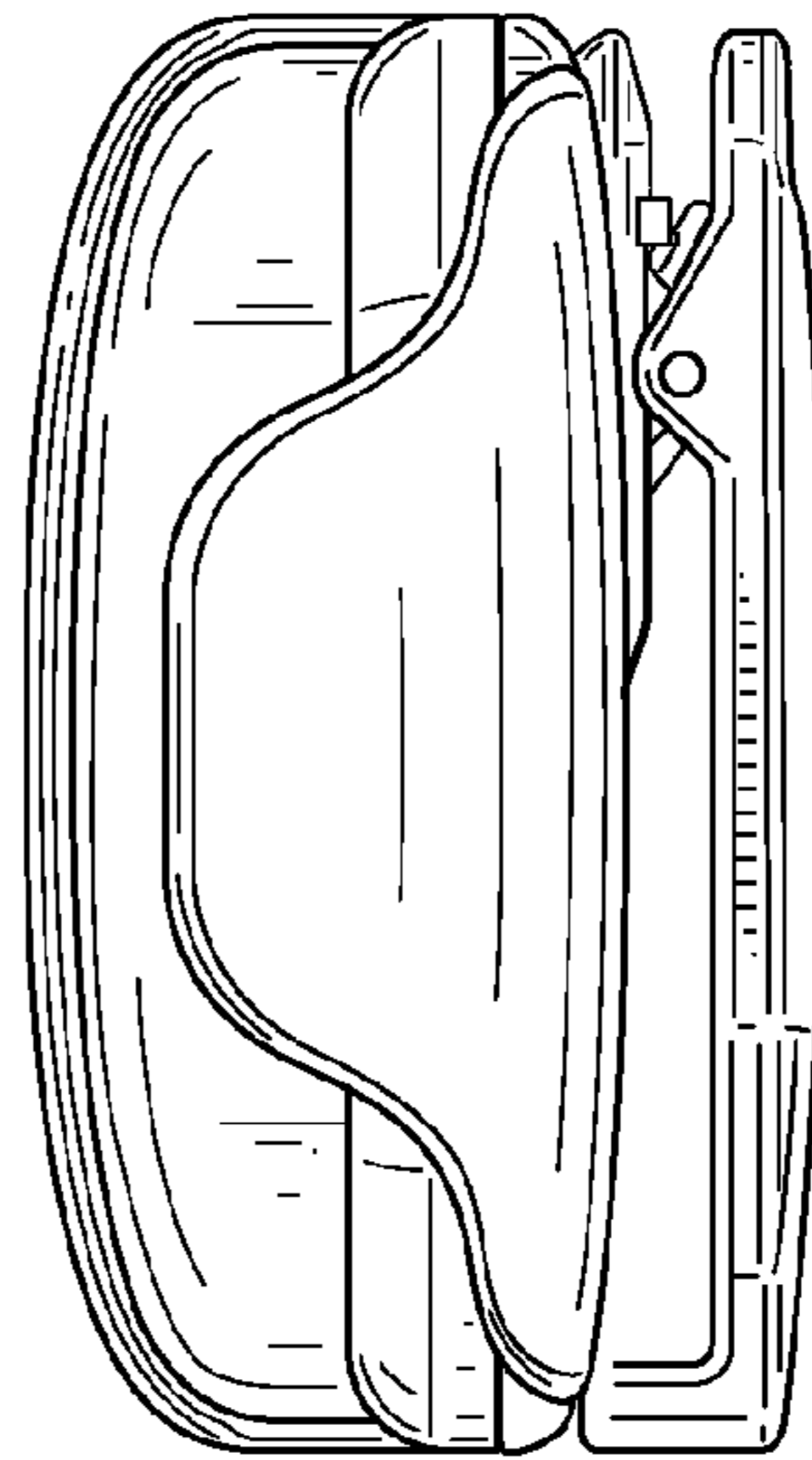
**FIG. 6**



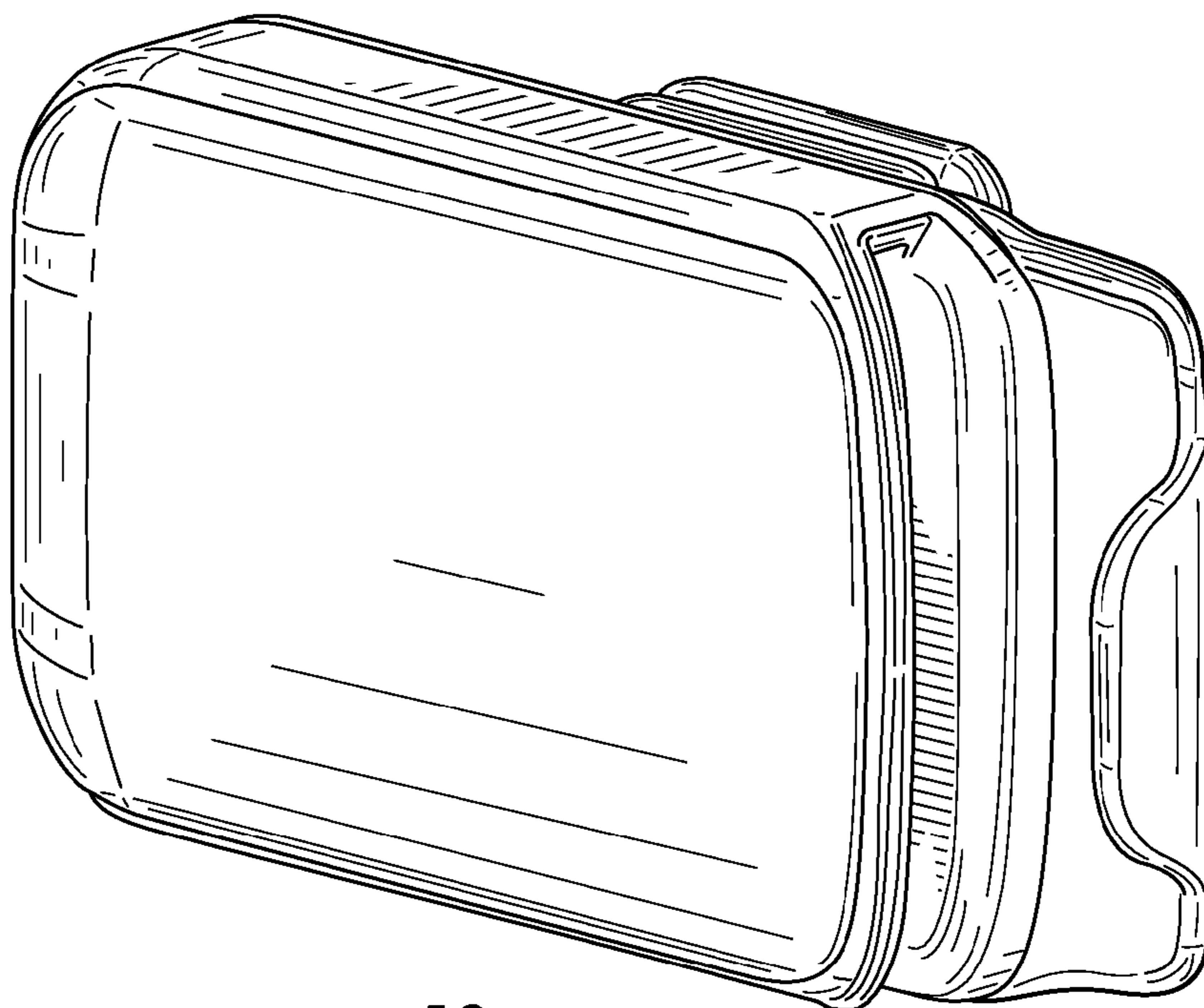
**FIG. 7**



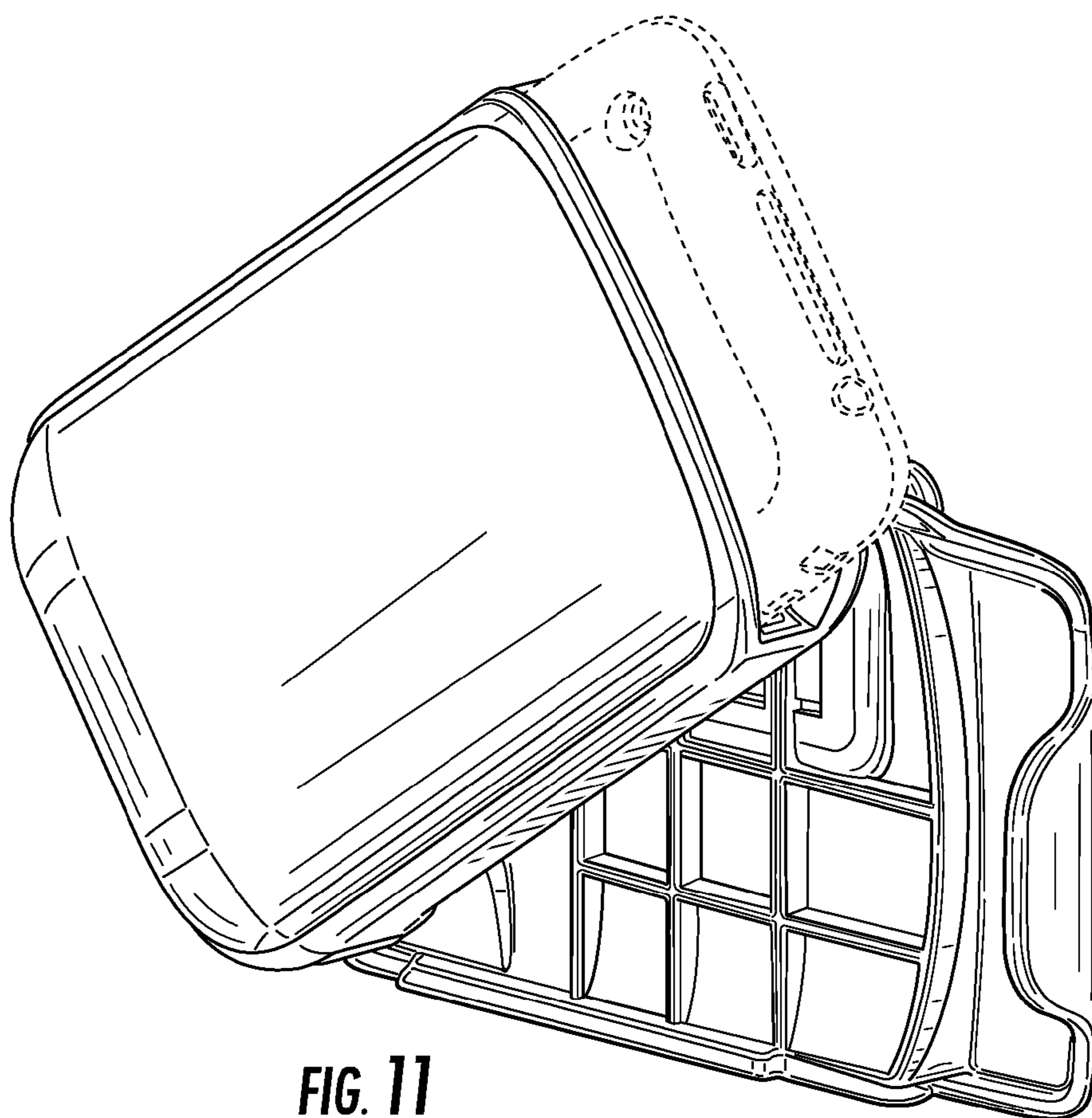
**FIG. 8**



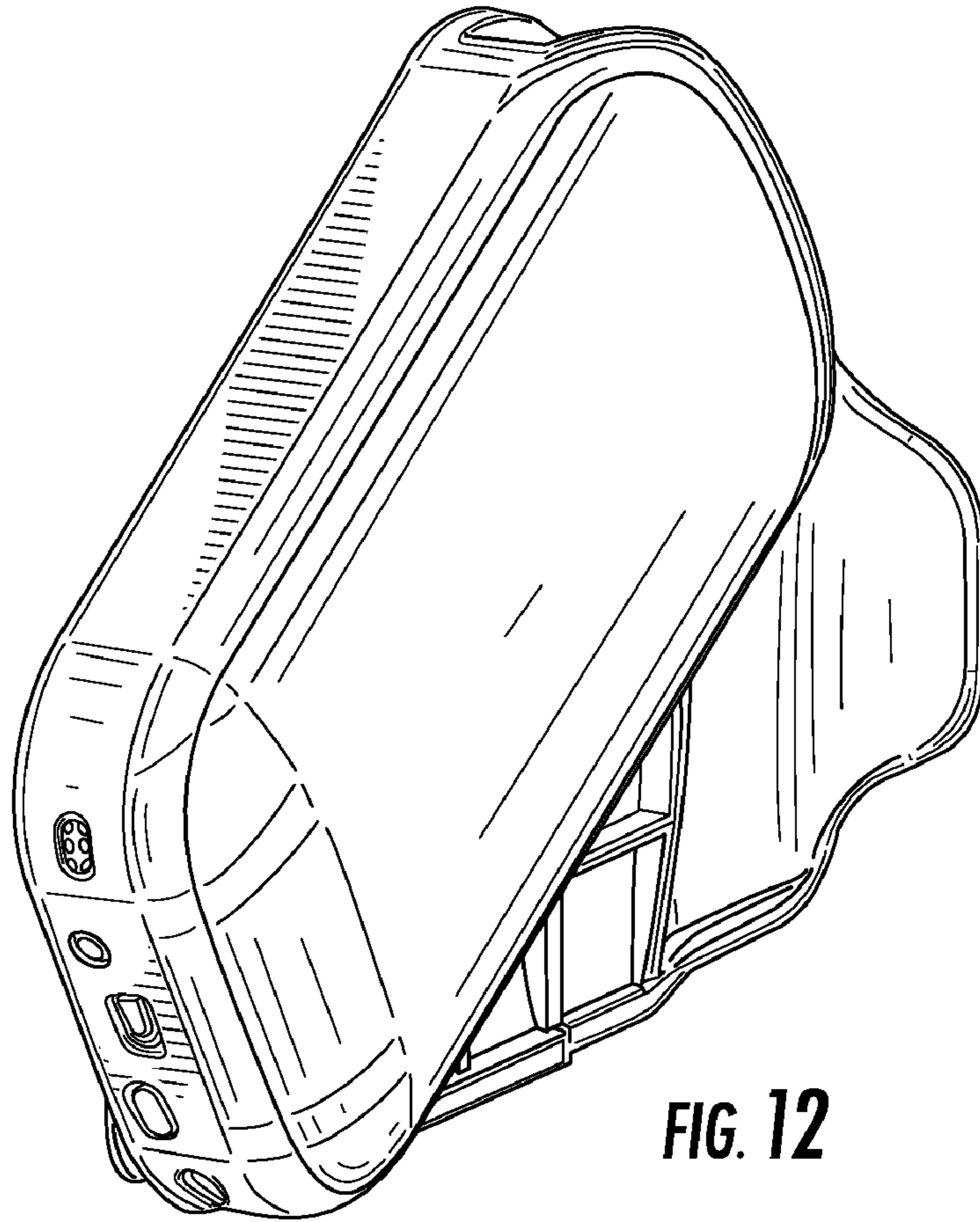
**FIG. 9**



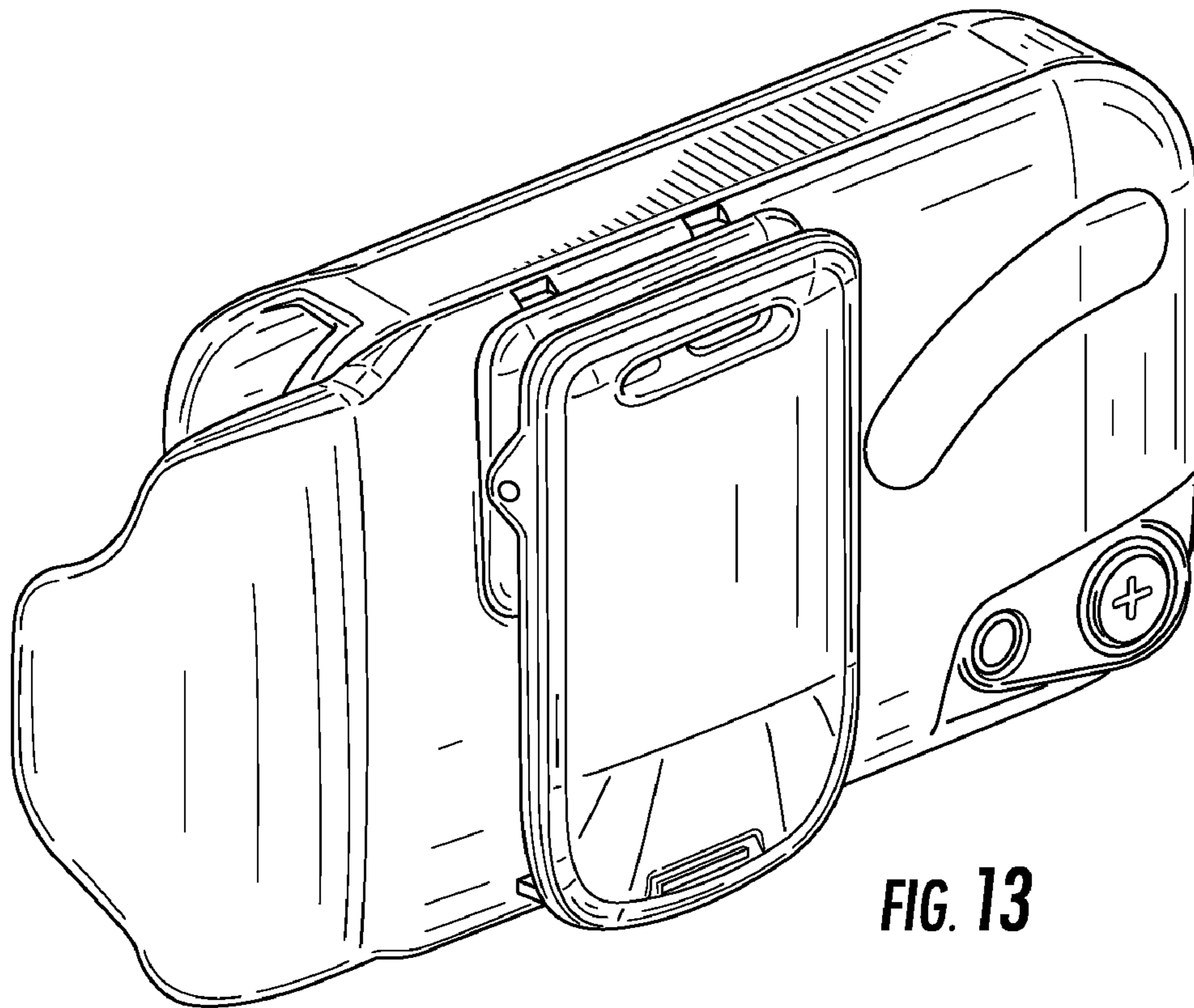
**FIG. 10**



**FIG. 11**



**FIG. 12**



**FIG. 13**