



US00D637392S

(12) **United States Design Patent**
Marshall

(10) **Patent No.:** **US D637,392 S**

(45) **Date of Patent:** **** May 10, 2011**

(54) **SECURITY AND DEFENSE GARMENT**

(76) **Inventor:** **Bo M. Marshall, Raleigh, NC (US)**

(**) **Term:** **14 Years**

(21) **Appl. No.:** **29/366,238**

(22) **Filed:** **Jul. 22, 2010**

(51) **LOC (9) Cl.** **03-01**

(52) **U.S. Cl.** **D3/215**

(58) **Field of Classification Search** D3/215,
D3/220, 224, 226, 228-229; D22/117; 224/219,
224/222, 267, 269, 236, 240; 2/170

See application file for complete search history.

(56) **References Cited**

U.S. PATENT DOCUMENTS

D375,624 S *	11/1996	Jensen	D3/229
D391,075 S *	2/1998	Jackson et al.	D3/215
D429,880 S *	8/2000	McCullough et al.	D3/215
D438,374 S *	3/2001	Hayman	D3/215
D487,844 S *	3/2004	Nichols	D3/215

* cited by examiner

Primary Examiner — Catherine R Oliver

(74) *Attorney, Agent, or Firm* — Olive Law Group, PLLC

(57) **CLAIM**

The ornamental design for a security and defense garment, as shown.

DESCRIPTION

FIG. 1 is a perspective view of a security and defense garment showing my new design;

FIG. 2 is a perspective view of the security and defense garment of FIG. 1 with a weapon released;

FIG. 3 is a perspective view of the security and defense garment of FIG. 1 being worn on a wrist of a person;

FIG. 4 is a top view of the security and defense garment of FIG. 1;

FIG. 5 is a bottom view of the security and defense garment of FIG. 1;

FIG. 6 is a side perspective view of the security and defense garment of FIG. 1;

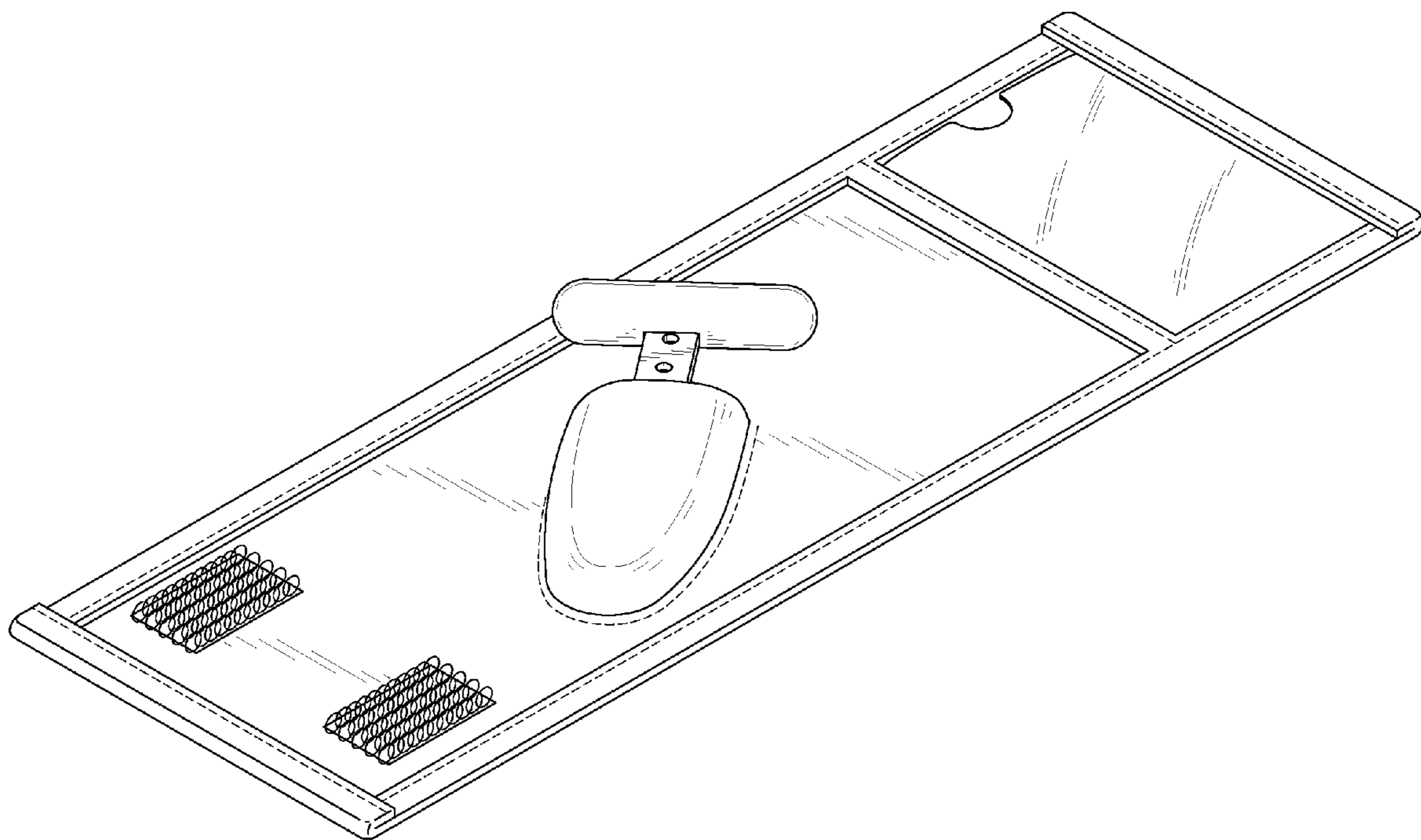
FIG. 7 is a side view of the security and defense garment of FIG. 1;

FIG. 8 is a front view of the security and defense garment of FIG. 1; and,

FIG. 9 is a rear view of the security and defense garment of FIG. 1.

The broken line showing of environment in FIG. 3 is included for the purpose of illustrating only and forms no part of the claimed design.

1 Claim, 7 Drawing Sheets



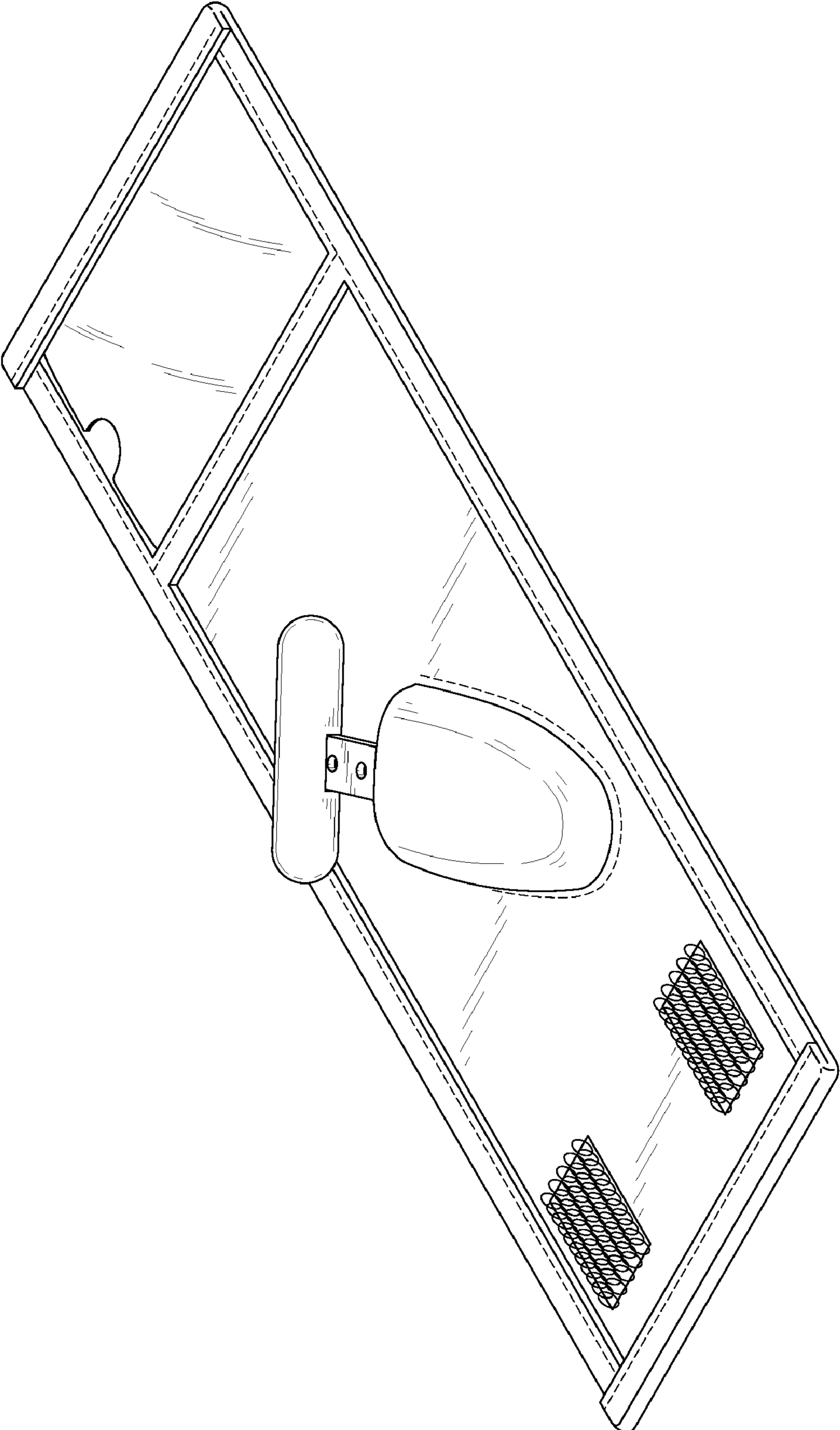


FIG. 1

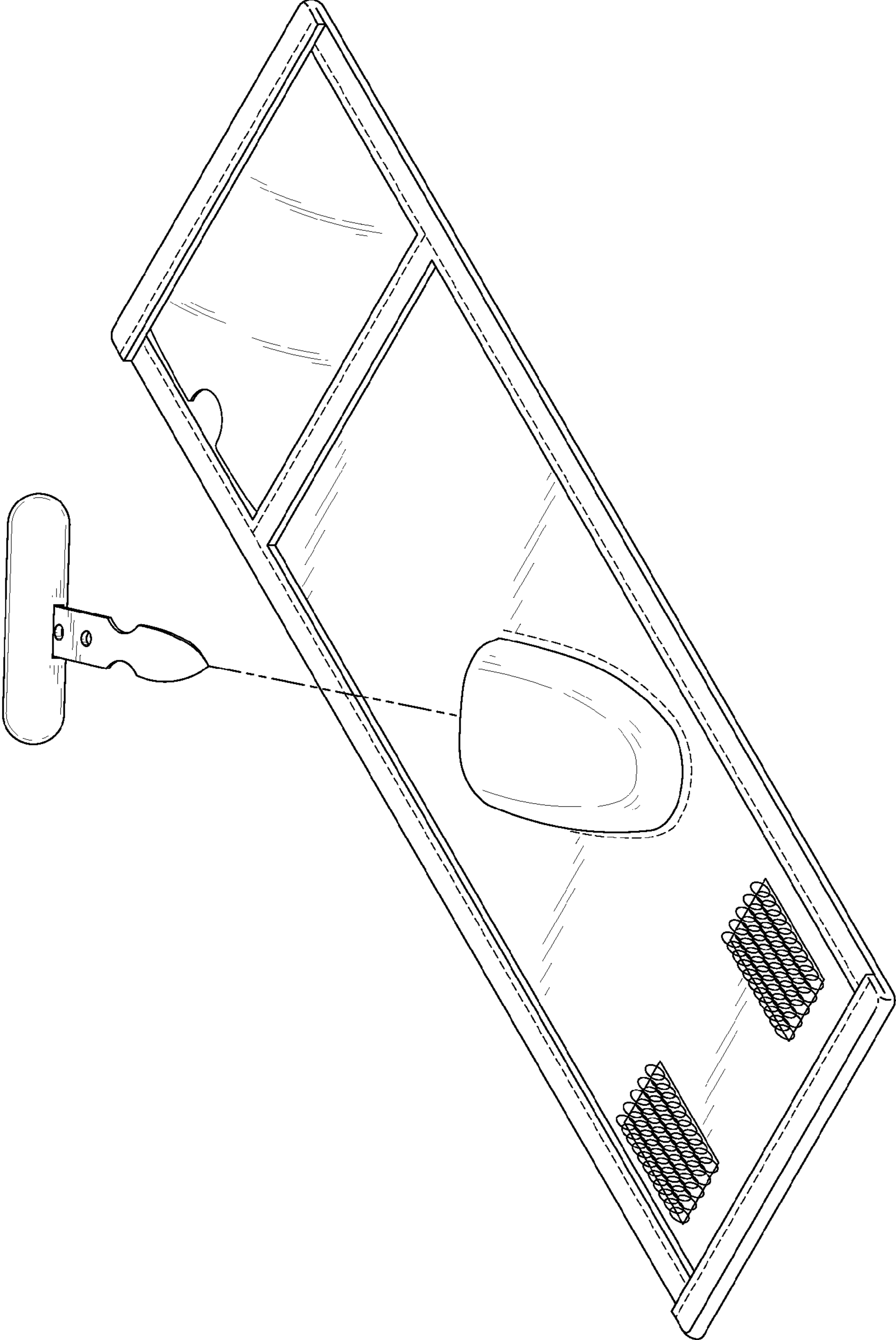


FIG. 2

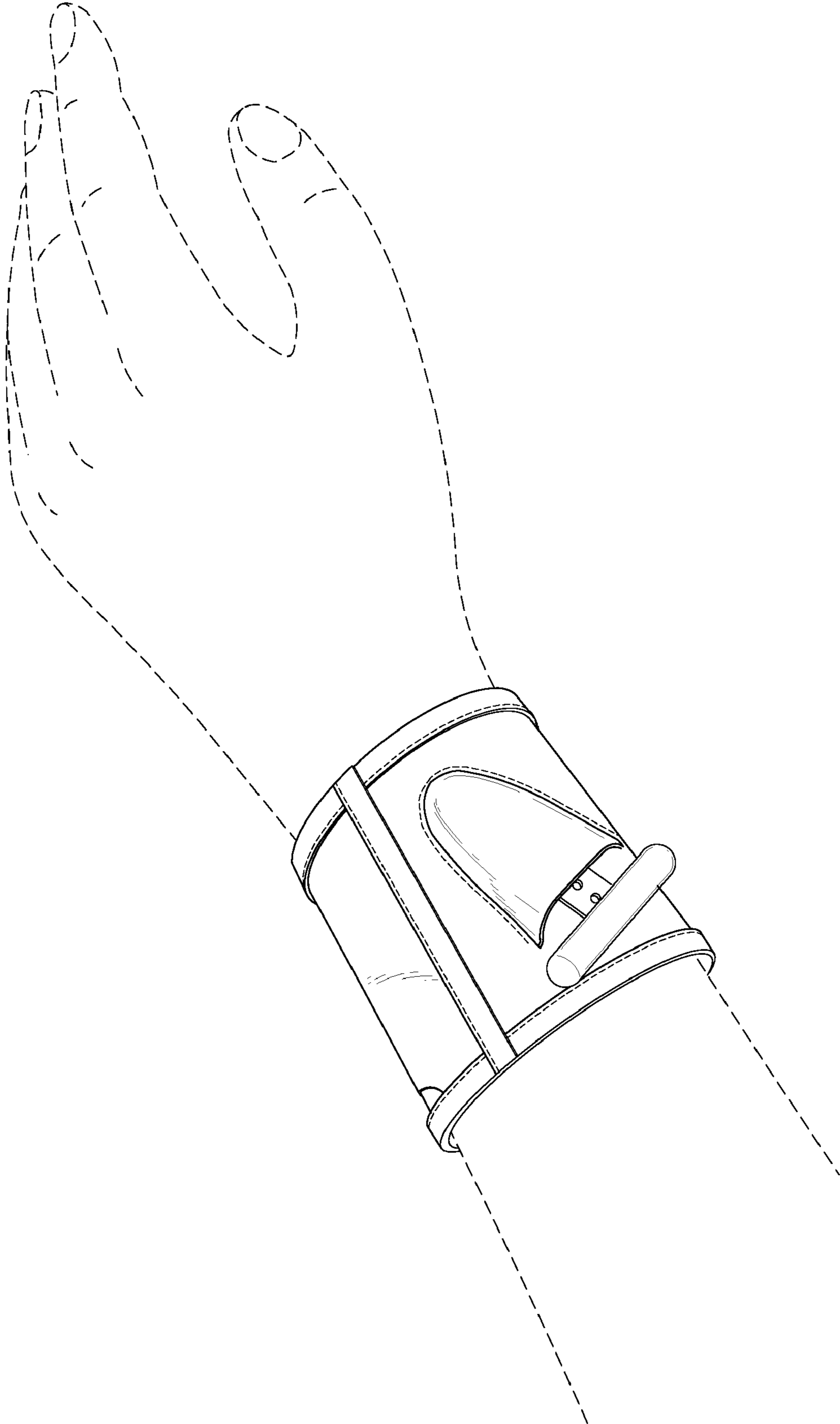


FIG. 3

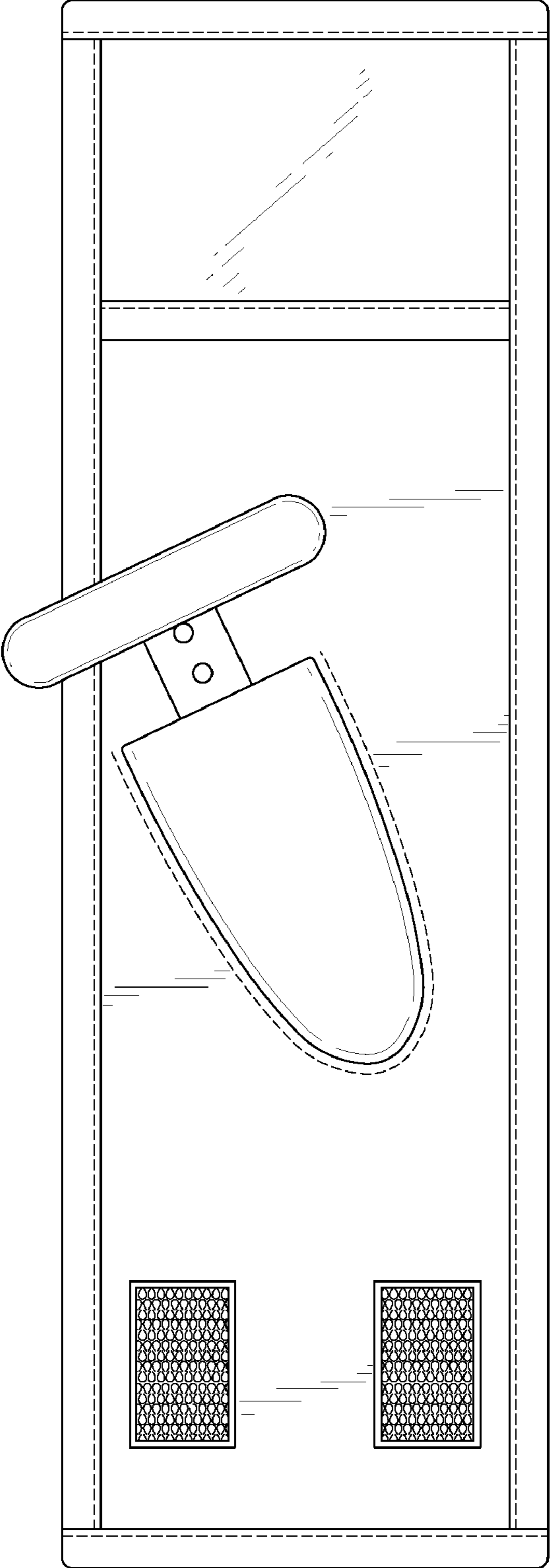


FIG. 4

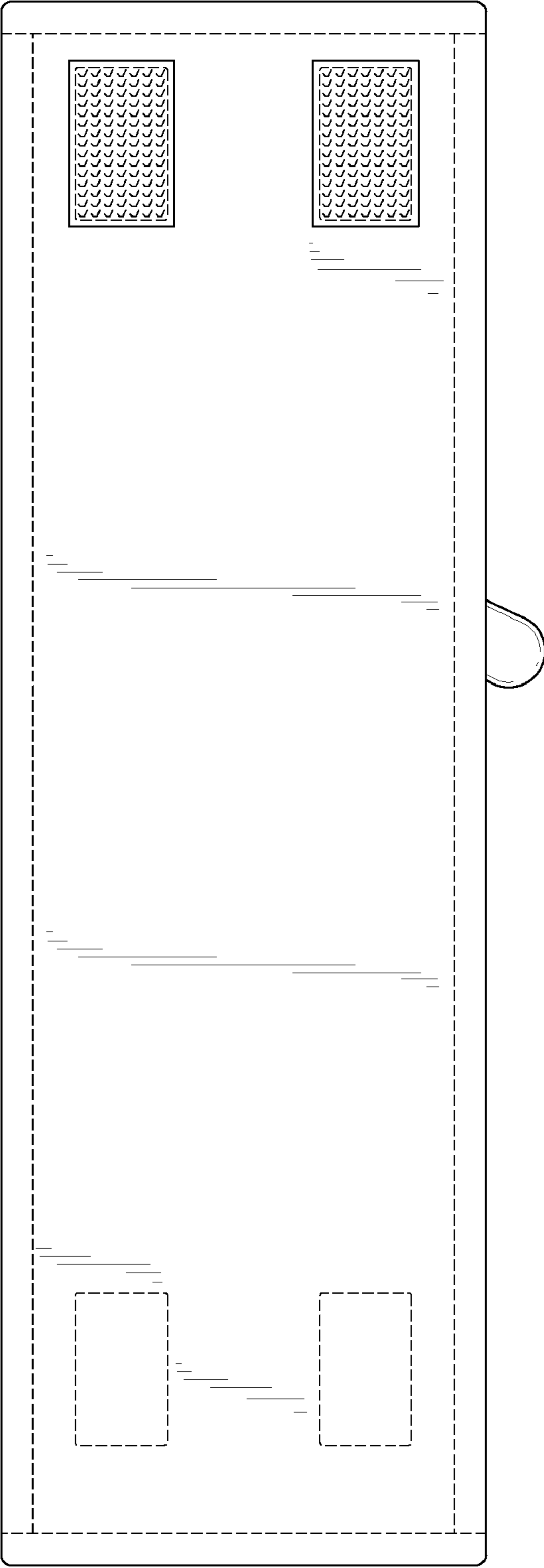


FIG. 5

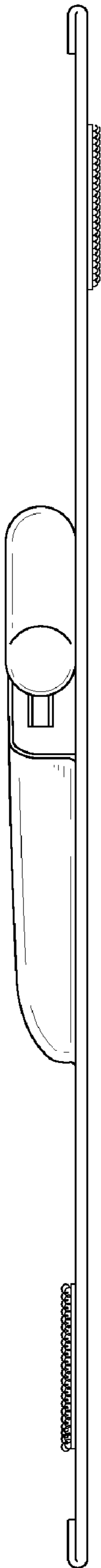


FIG. 6

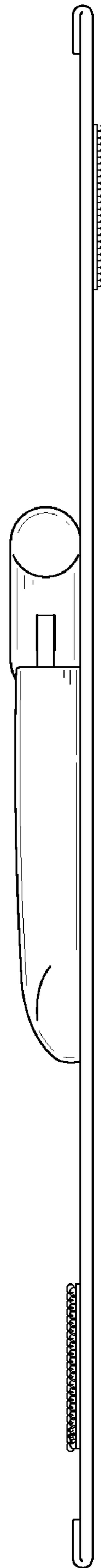


FIG. 7

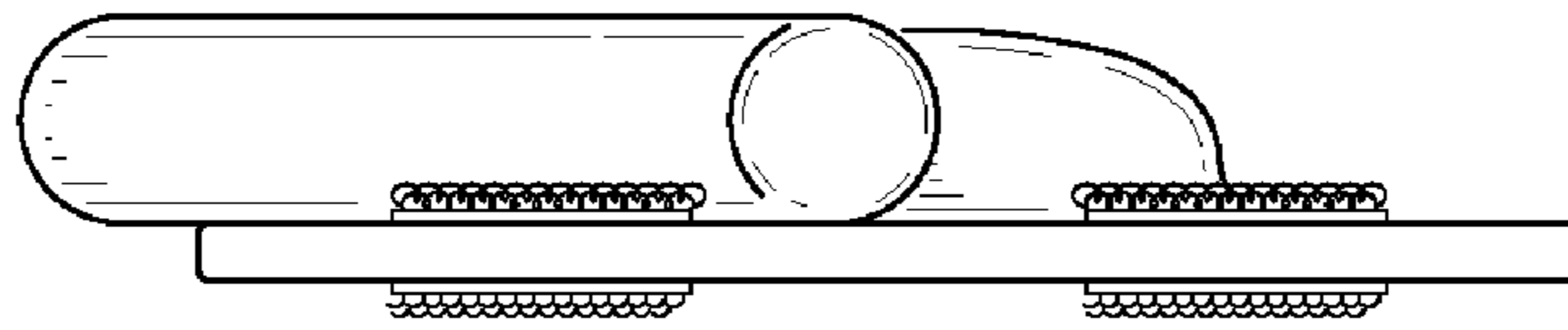


FIG. 8

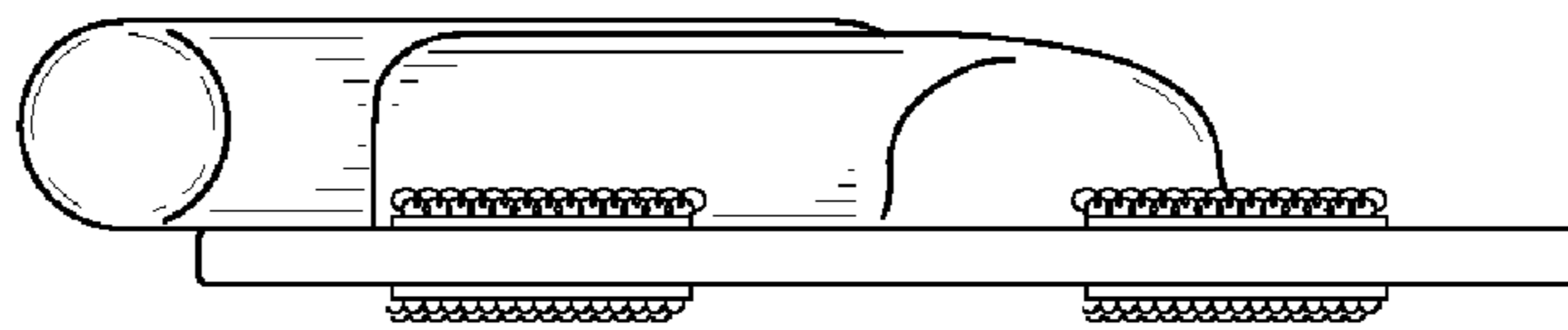


FIG. 9