



US00D637389S

(12) **United States Design Patent**
Beaulieu

(10) **Patent No.:** **US D637,389 S**

(45) **Date of Patent:** **** May 10, 2011**

(54) **UMBRELLA VENT**

(76) **Inventor:** **Peter John Beaulieu**, New Smyrna Beach, FL (US)

(**) **Term:** **14 Years**

(21) **Appl. No.:** **29/361,385**

(22) **Filed:** **May 11, 2010**

(51) **LOC (9) Cl.** **03-03**

(52) **U.S. Cl.** **D3/10**

(58) **Field of Classification Search** D3/5, 6, D3/10; 135/15.1, 33.2, 33.7, 33.71
See application file for complete search history.

(56) **References Cited**

U.S. PATENT DOCUMENTS

312,446	A *	2/1885	Drake	135/25.3
617,415	A *	1/1899	Eatman	135/33.7
1,031,974	A *	7/1912	Thomas	135/33.7
2,335,184	A *	11/1943	Houseman	135/33.7
D162,617	S *	3/1951	Benivegna	D3/5
3,456,661	A *	7/1969	Farley	135/33.7
3,885,582	A *	5/1975	Kowalski	135/33.7
5,482,069	A *	1/1996	Lee	135/31
D371,902	S *	7/1996	Lee	D3/5
D409,369	S *	5/1999	Vega	D3/5
6,173,724	B1 *	1/2001	You	135/33.7
6,237,616	B1 *	5/2001	You	135/33.7
6,401,737	B1 *	6/2002	Kloor, III	135/33.7
D470,305	S	2/2003	Clarke	
D475,524	S	6/2003	Clarke	
D478,416	S	8/2003	Clarke	
D485,674	S *	1/2004	Liu	D3/5
D487,476	S	3/2004	Komatsu	

D489,769	S *	5/2004	Holgate	D21/302
D491,720	S	6/2004	Clarke	
D618,898	S *	7/2010	Hammond	D3/5
D621,600	S *	8/2010	He	D3/5
7,779,849	B2 *	8/2010	Labarbera	135/16
2002/0056472	A1 *	5/2002	Nanus	135/33.7
2002/0078986	A1 *	6/2002	Tsun	135/33.7
2002/0185167	A1 *	12/2002	Lin et al.	135/16
2004/0149327	A1 *	8/2004	You	135/33.7
2009/0071519	A1 *	3/2009	Ma	135/33.4

* cited by examiner

Primary Examiner — Celia A Murphy

Assistant Examiner — John Windmuller

(74) *Attorney, Agent, or Firm* — The Patent Guild

(57) **CLAIM**

The ornamental design for an umbrella vent, as shown and described.

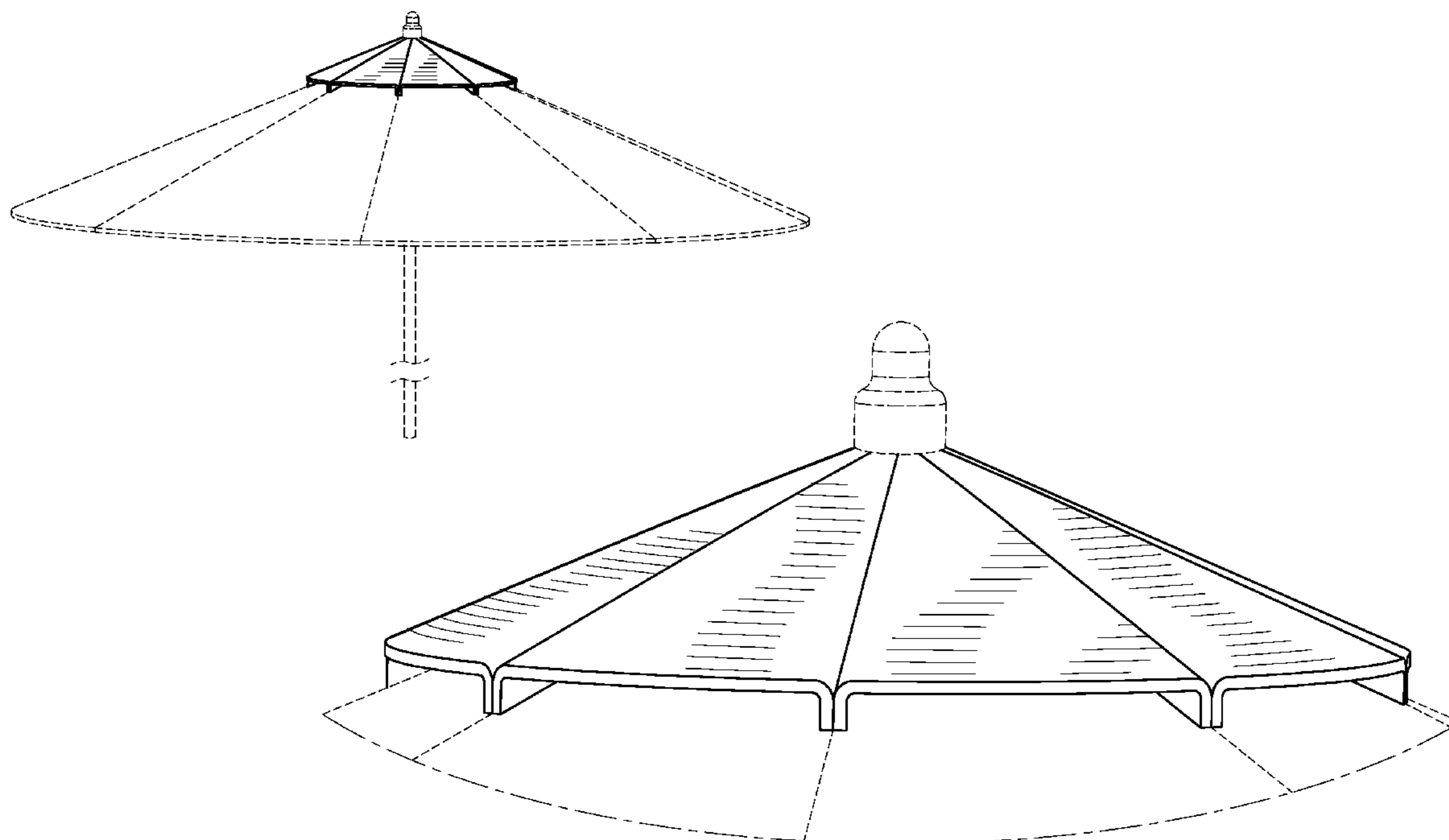
DESCRIPTION

FIG. 1 is a top perspective view of an umbrella vent showing my new design on an umbrella;
FIG. 2 is a bottom perspective view thereof;
FIG. 3 is a side view thereof;
FIG. 4 is a an enlarged side view thereof;
FIG. 5 is a top plan view thereof; and,
FIG. 6 is a bottom plan view thereof.

The broken line showing of an umbrella depicts environment only and forms no part of the claimed design.

The portion of the umbrella vent shown in FIG. 6 forms no part of the claimed design but the small portions of the underside of the umbrella vent shown in FIG. 4 and other figures are part of the claimed design.

1 Claim, 6 Drawing Sheets



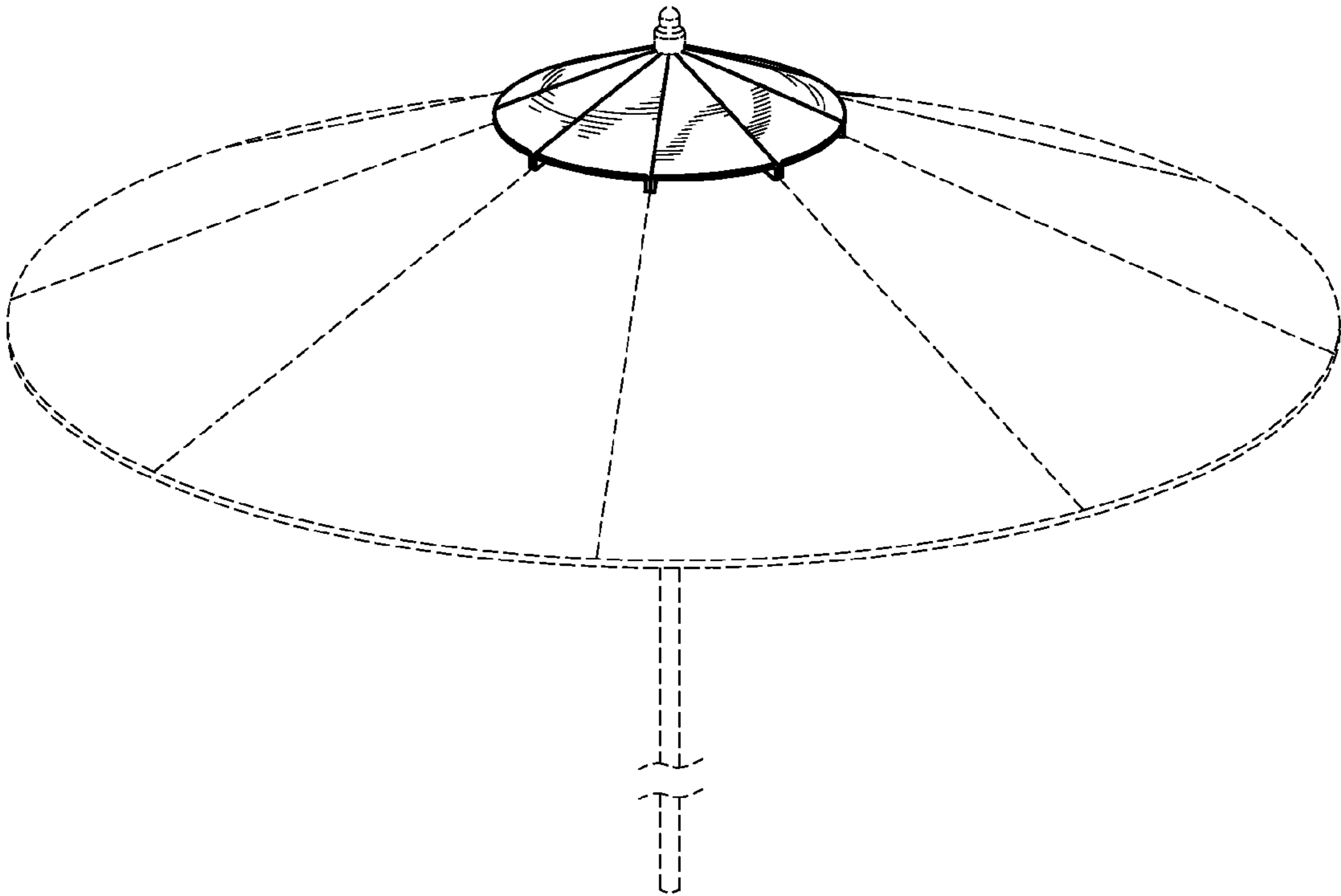


FIG. 1

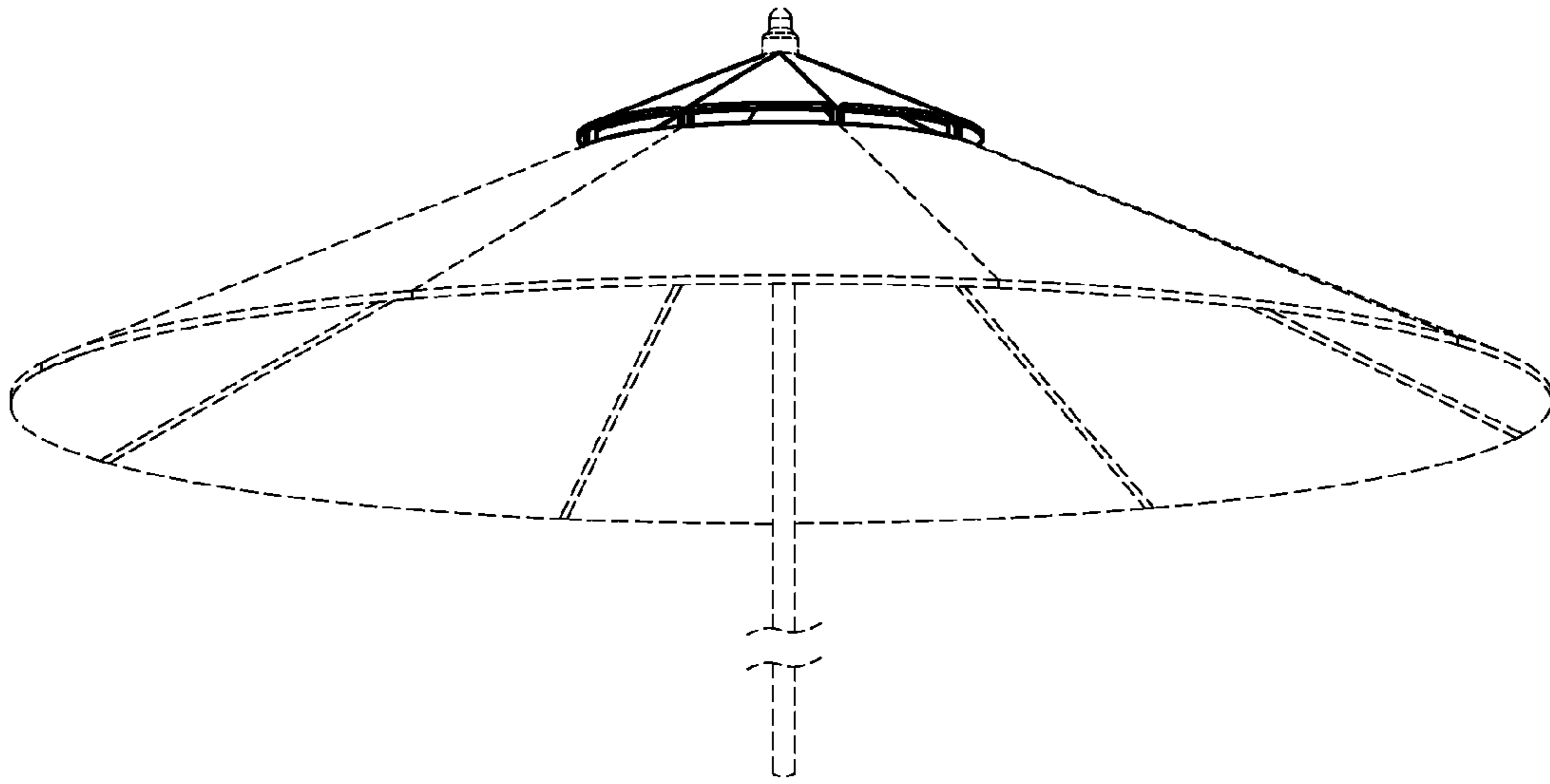


FIG. 2

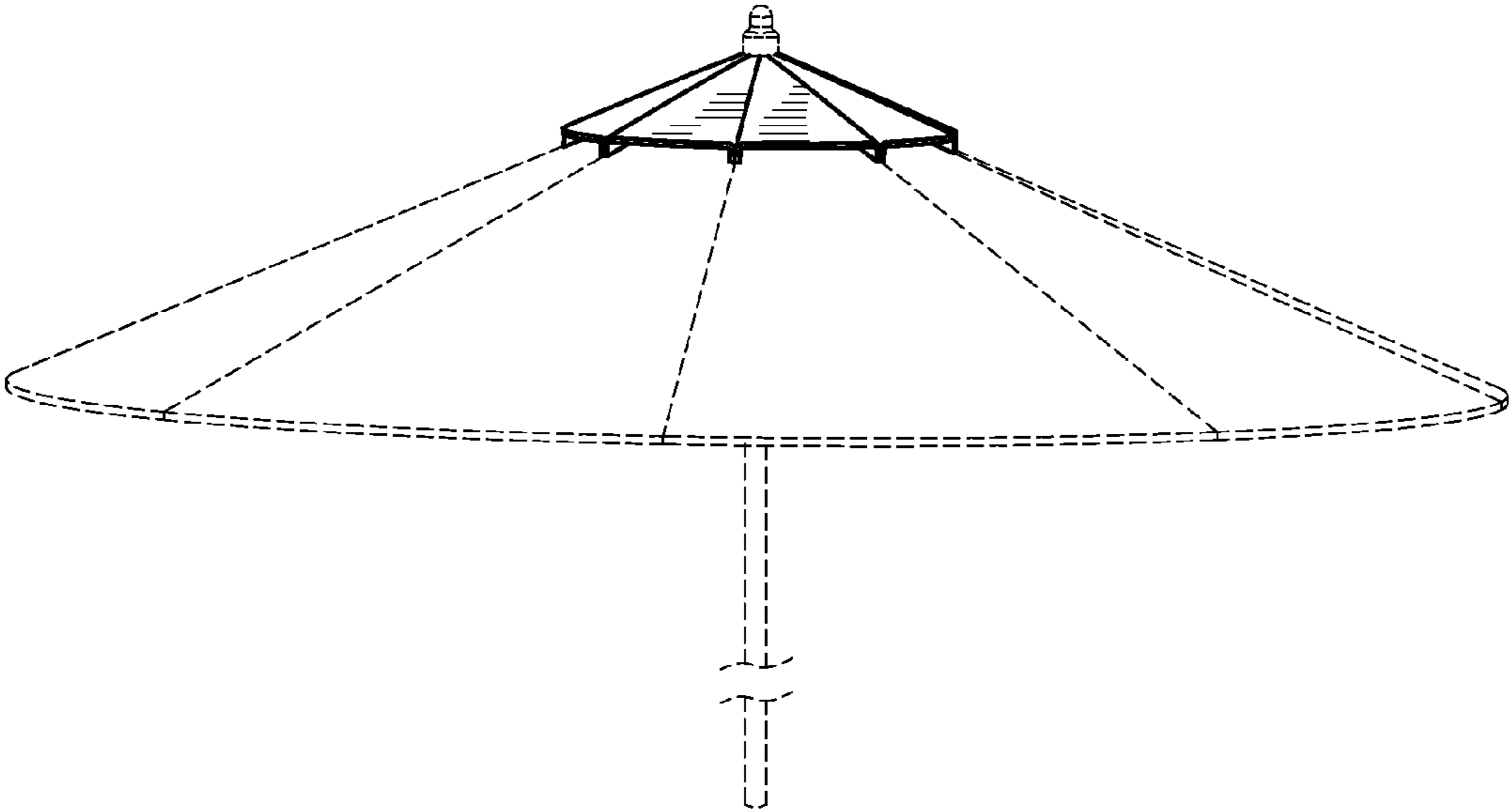


FIG. 3

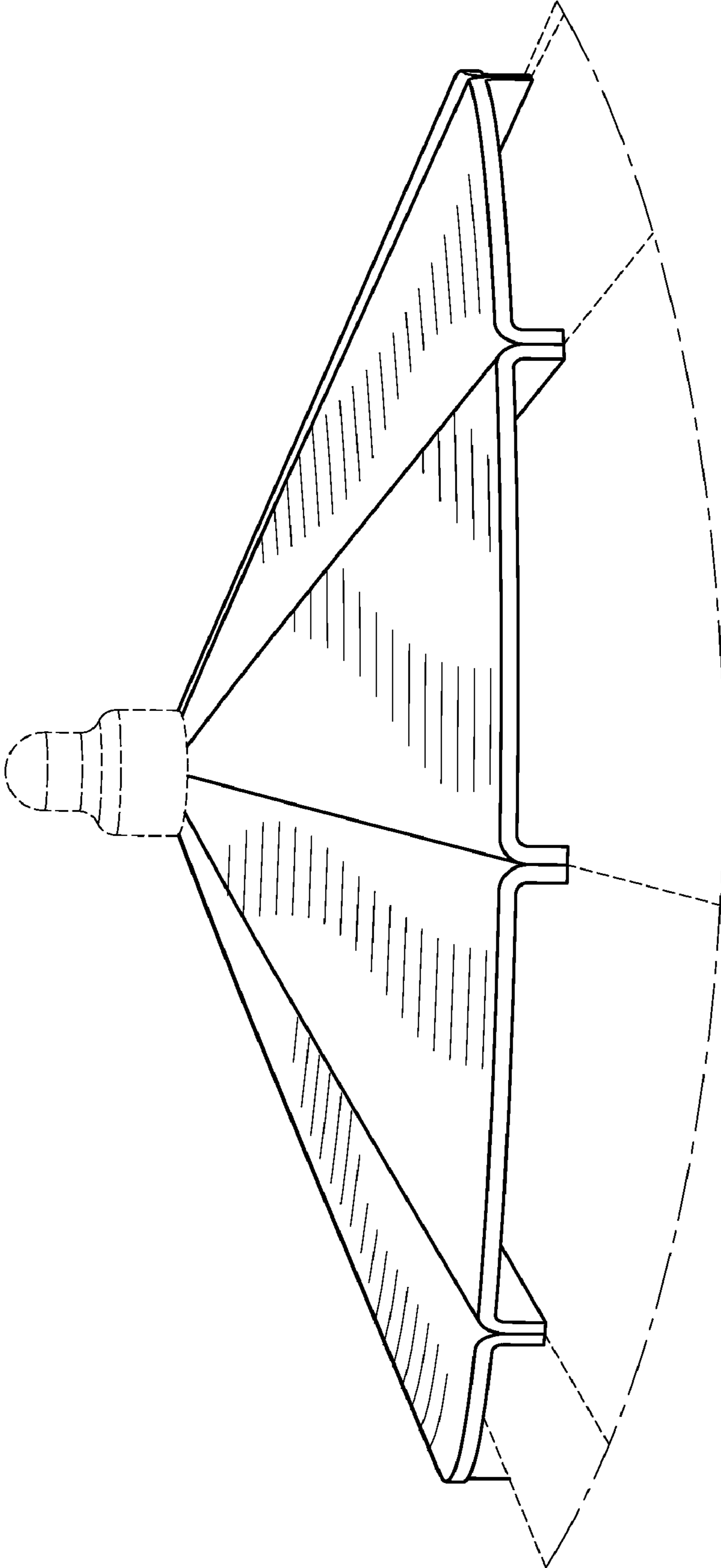


FIG. 4

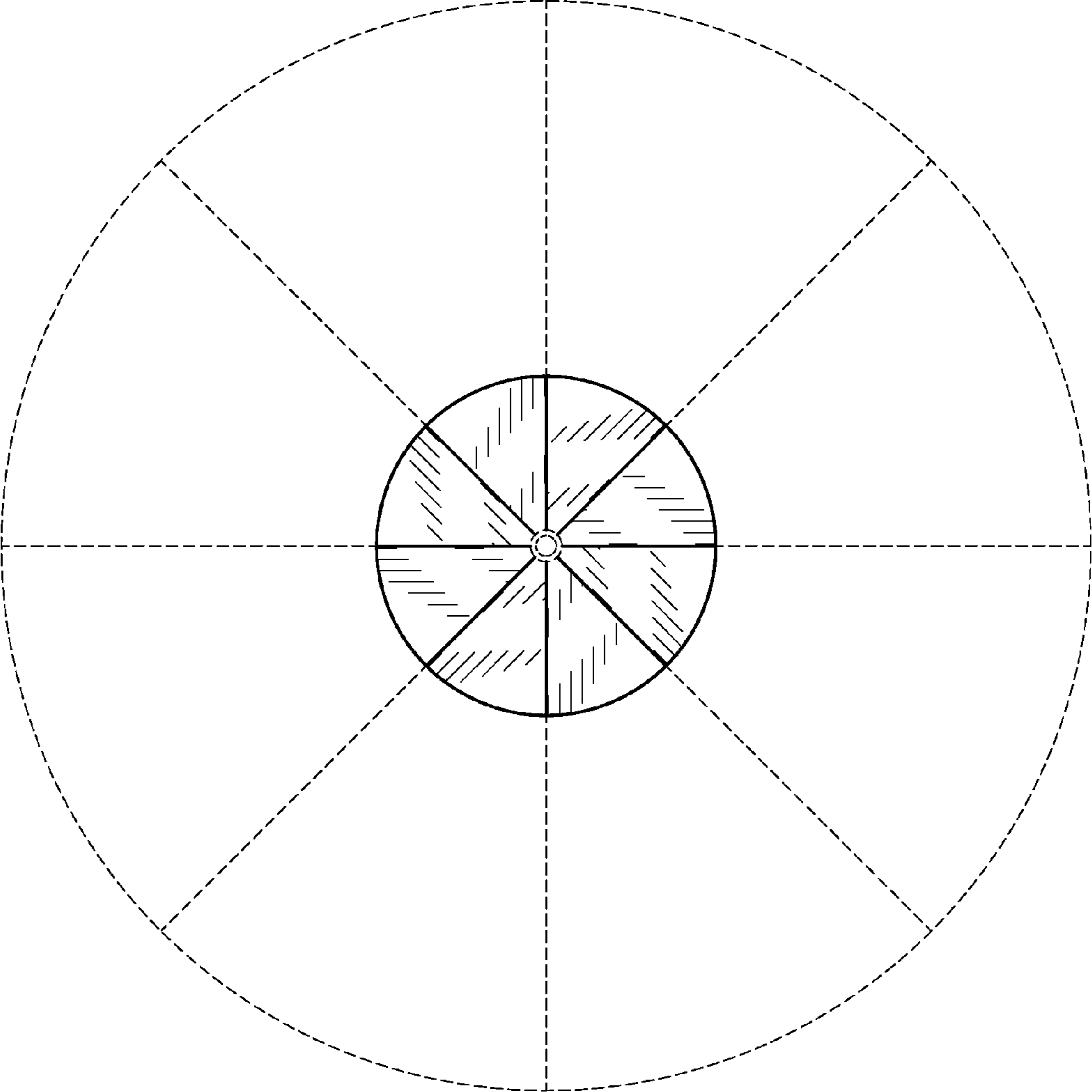


FIG. 5

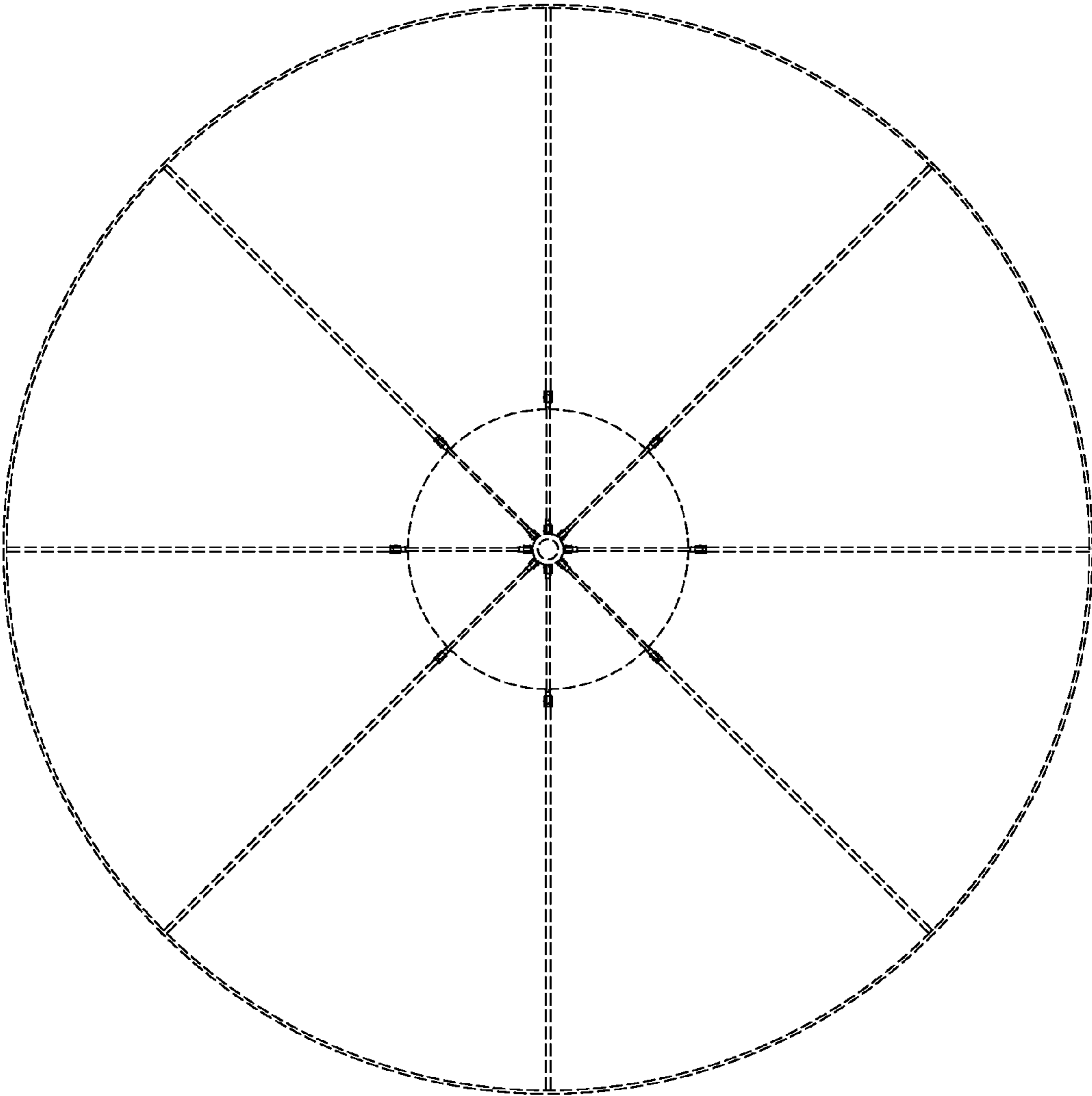


FIG. 6