



US00D637382S

(12) **United States Design Patent**  
**Bathum**

(10) **Patent No.:** **US D637,382 S**

(45) **Date of Patent:** **\*\* \*May 10, 2011**

(54) **FOOTWEAR**

(75) Inventor: **Dale Bathum**, Sammamish, WA (US)

(73) Assignee: **Crocs, Inc.**, Niwot, CO (US)

(\*\*) Term: **14 Years**

(21) Appl. No.: **29/328,528**

(22) Filed: **Nov. 25, 2008**

(51) **LOC (9) Cl.** ..... **02-99**

(52) **U.S. Cl.** ..... **D2/969**; D2/926; D2/923

(58) **Field of Classification Search** ..... D2/896,  
D2/902, 906-908, 923, 925-927, 951, 953,  
D2/954, 969; 36/45, 83, 88, 113, 114, 8.1,  
36/4, 25 R-25 A

See application file for complete search history.

(56) **References Cited**

**U.S. PATENT DOCUMENTS**

D416,667 S *	11/1999	Lamstein .....	D2/927
D473,040 S	4/2003	Hawker et al.	
D498,901 S	11/2004	Hawker et al.	
6,993,858 B2	2/2006	Seamans	
D517,788 S	3/2006	Seamans	
D517,789 S	3/2006	Seamans	
D517,790 S	3/2006	Seamans	
D525,419 S	7/2006	Seamans	
D529,263 S	10/2006	Wolf	
7,146,751 B2	12/2006	Seamans	
D535,088 S	1/2007	Seamans	
D543,341 S	5/2007	Seamans	
D543,681 S	6/2007	McCarthy	
D545,032 S	6/2007	Wolf	
D545,033 S	6/2007	Wolf	
D561,982 S	2/2008	Hoyt	
D563,082 S	3/2008	Seamans	
D564,204 S	3/2008	Seamans	
D564,205 S	3/2008	Seamans	
D564,207 S	3/2008	Seamans	
D564,208 S	3/2008	Seamans	
D564,749 S	3/2008	Seamans	
D567,482 S	4/2008	Hoyt	
D567,483 S	4/2008	Liow	

D573,778 S	7/2008	Hawker	
D575,937 S	9/2008	Klavano	
D578,743 S *	10/2008	Liow .....	D2/926
D579,182 S	10/2008	Klavano	

(Continued)

**FOREIGN PATENT DOCUMENTS**

EM 000061122-0001 11/2003

(Continued)

**OTHER PUBLICATIONS**

Crocs: Cayman, <http://www.crocs.com/crocs-cayman/10001,default,pd.html?q=cayman> (Nov. 3, 2009) (6 pages) (depicting Cayman shoe on sale in the US more than one year before Nov. 25, 2008).

*Primary Examiner* — Dominic Simone

(74) *Attorney, Agent, or Firm* — Faegre & Benson LLP

(57) **CLAIM**

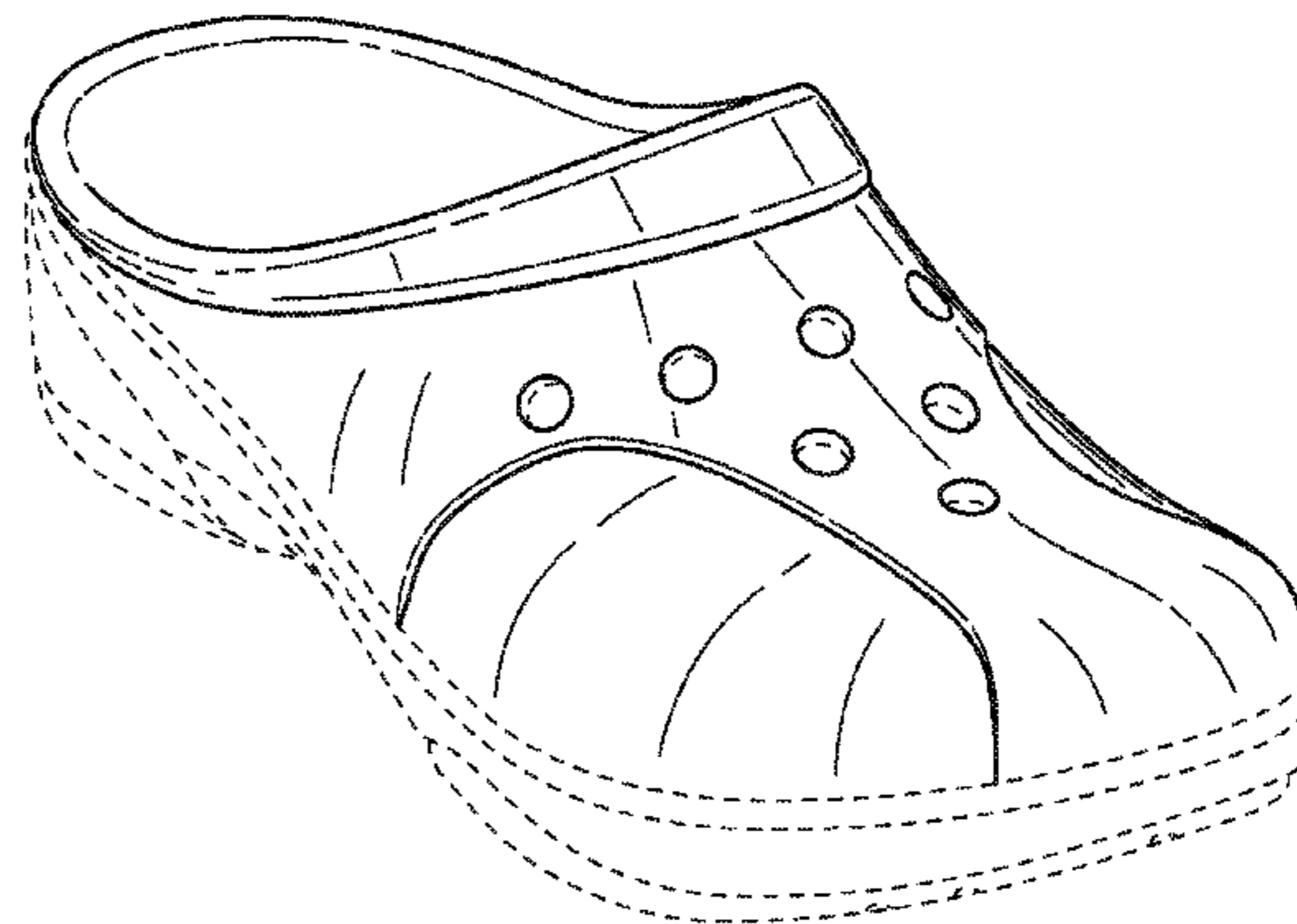
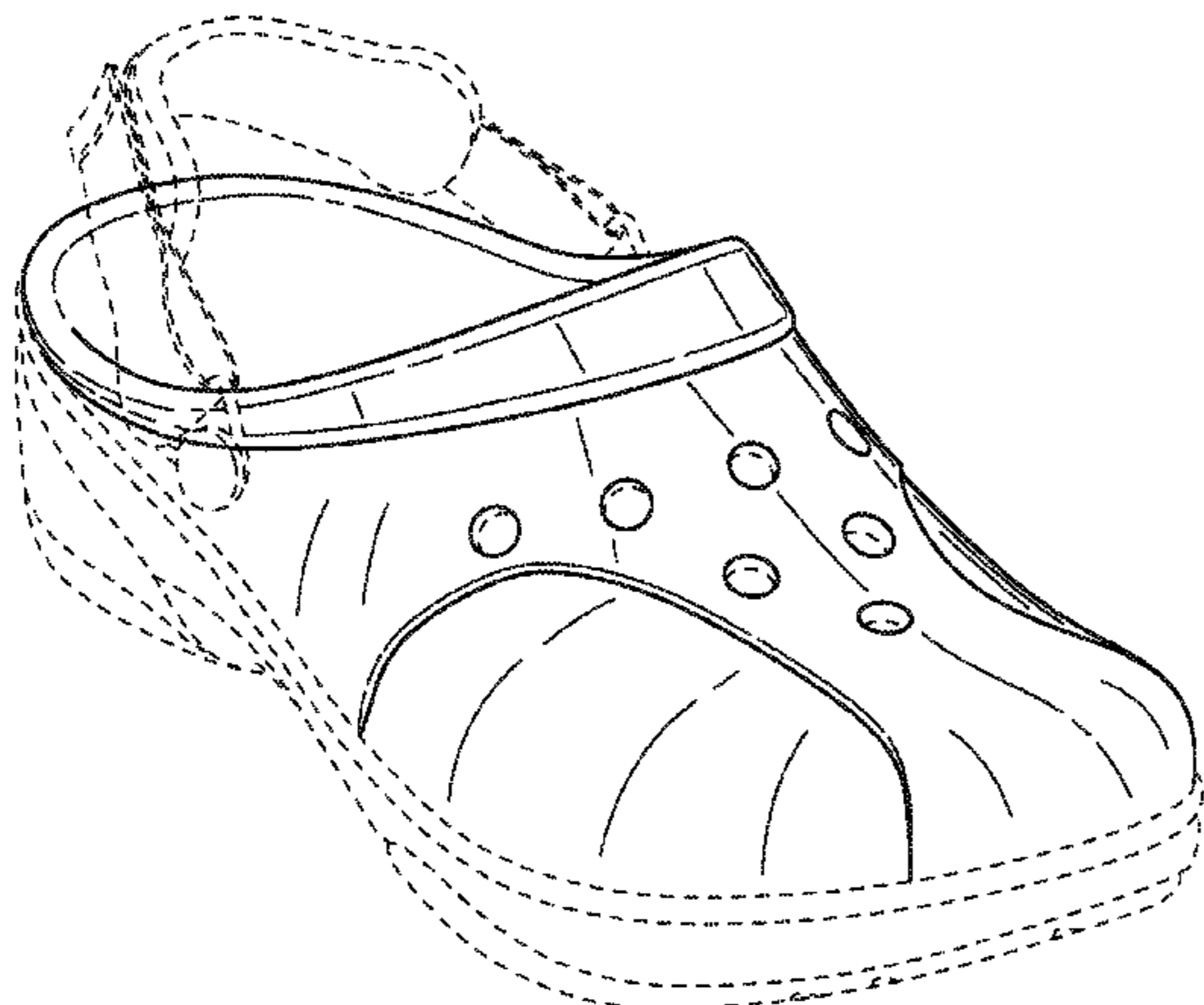
The ornamental design for footwear, as shown and described.

**DESCRIPTION**

FIG. 1 is a side and front perspective view;  
FIG. 2 is a top perspective view;  
FIG. 3 is a side view;  
FIG. 4 is a front view;  
FIG. 5 is another side view;  
FIG. 6 is a back view;  
FIG. 7 is a bottom view;  
FIG. 8 is a side and front perspective view;  
FIG. 9 is a top perspective view;  
FIG. 10 is a side view;  
FIG. 11 is a front view;  
FIG. 12 is another side view;  
FIG. 13 is a back view; and,  
FIG. 14 is a bottom view.

The broken line showing is for illustrative purpose only and forms no part of the claimed design.

**1 Claim, 14 Drawing Sheets**



# US D637,382 S

Page 2

---

## U.S. PATENT DOCUMENTS

D579,651 S	11/2008	Hearn	
D584,032 S	1/2009	Jarosik	
D584,037 S	1/2009	del Biondi et al.	
D590,588 S	4/2009	del Biondi et al.	
D593,287 S	6/2009	del Biondi et al.	
D599,538 S	9/2009	del Biondi et al.	
D600,907 S	9/2009	Boyd et al.	
D610,784 S *	3/2010	Del Biondi .....	D2/926
D613,487 S *	4/2010	Meador .....	D2/926
D624,733 S *	10/2010	O'Boyle et al. ....	D2/926
D632,465 S	2/2011	Del Biondi	

2004/0231189 A1	11/2004	Seamans
2004/0231190 A1	11/2004	Seamans
2004/0231191 A1	11/2004	Seamans
2006/0048407 A1	3/2006	Seamans
2007/0130797 A1	6/2007	Seamans

## FOREIGN PATENT DOCUMENTS

GB	2322286 A	8/1998
WO	2004105531 A1	12/2004
WO	2004105534 A2	12/2004

\* cited by examiner

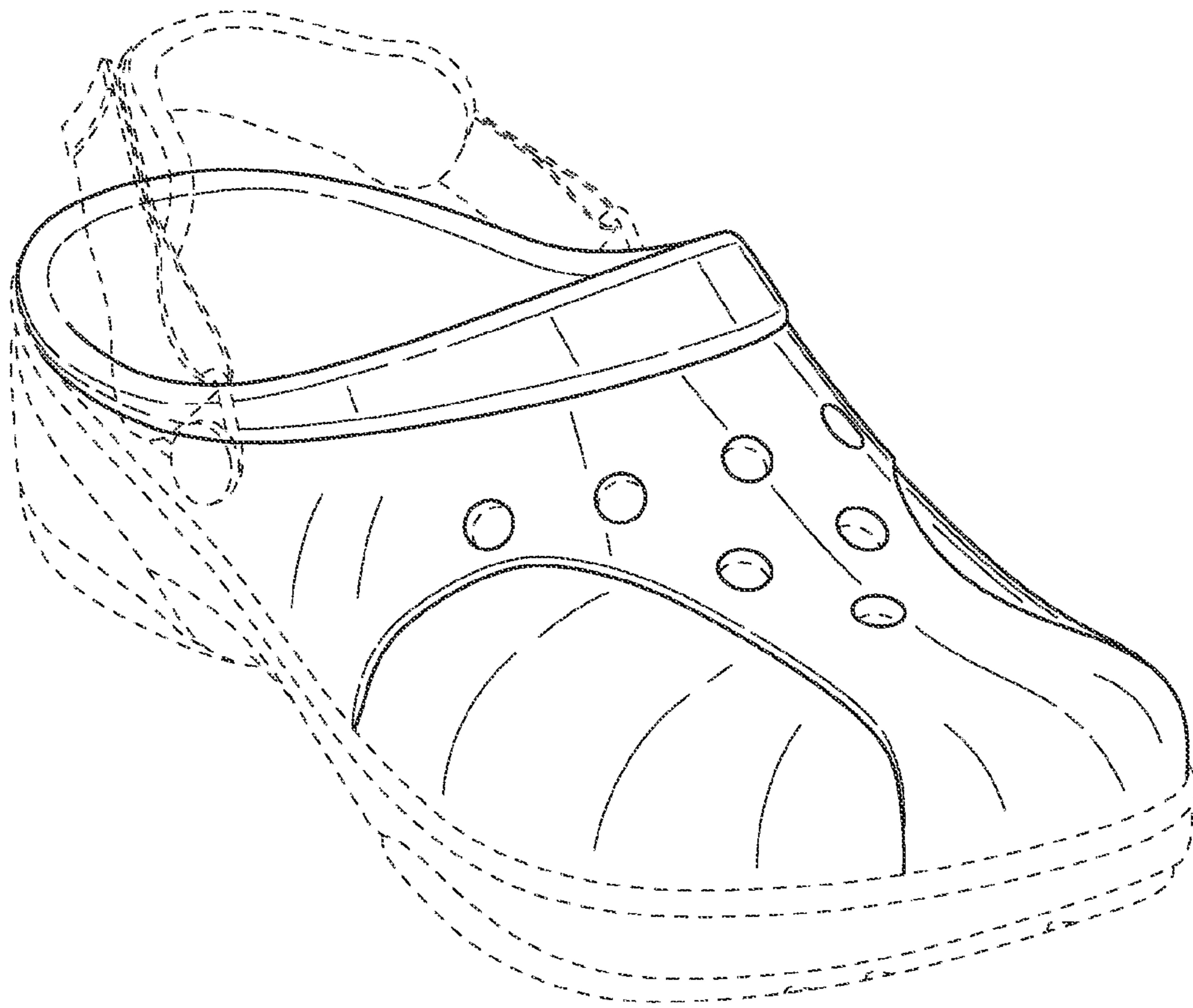


FIG.1

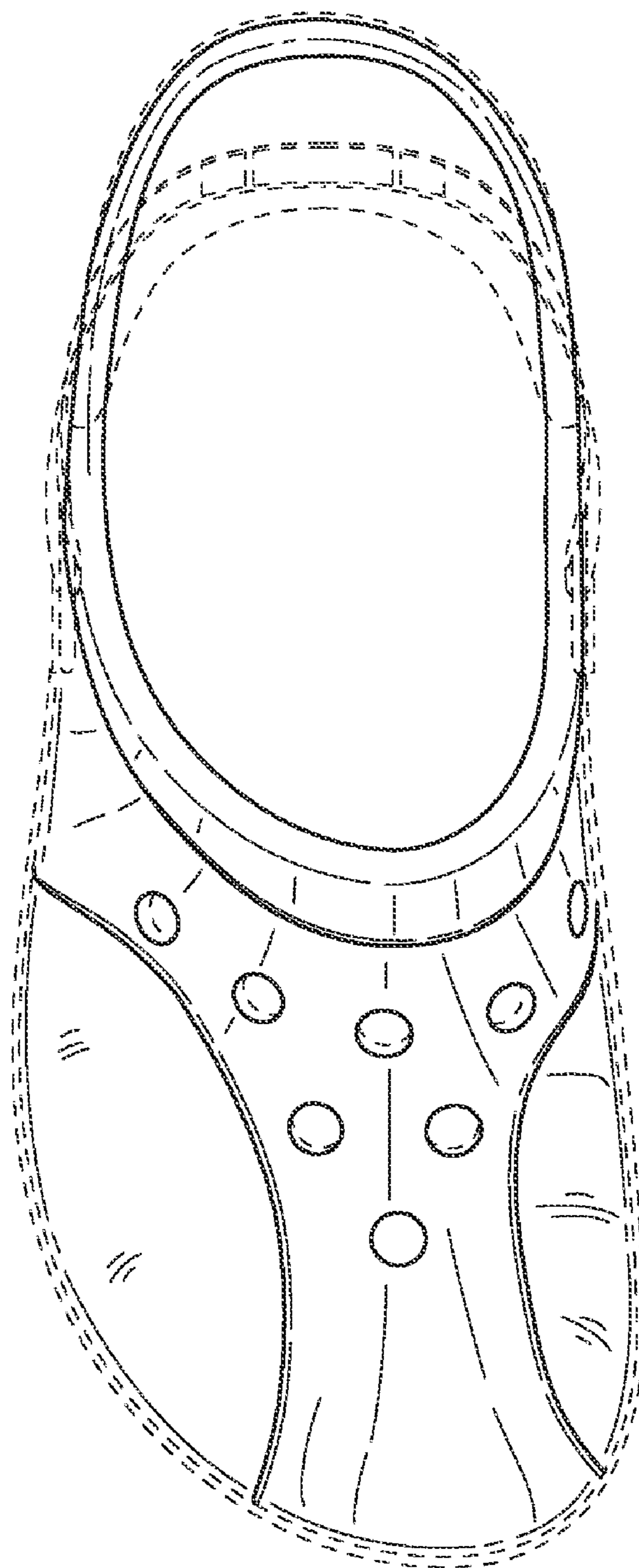


FIG. 2

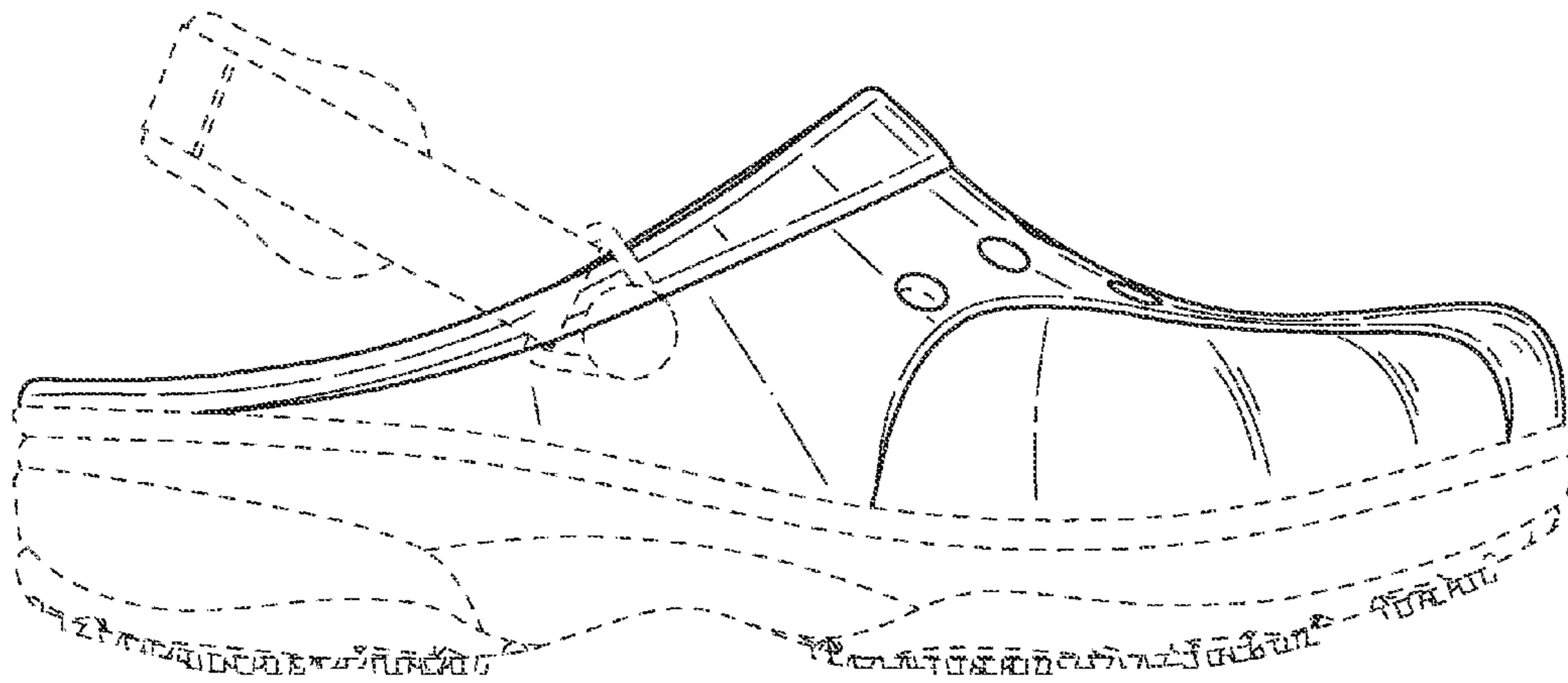


FIG. 3

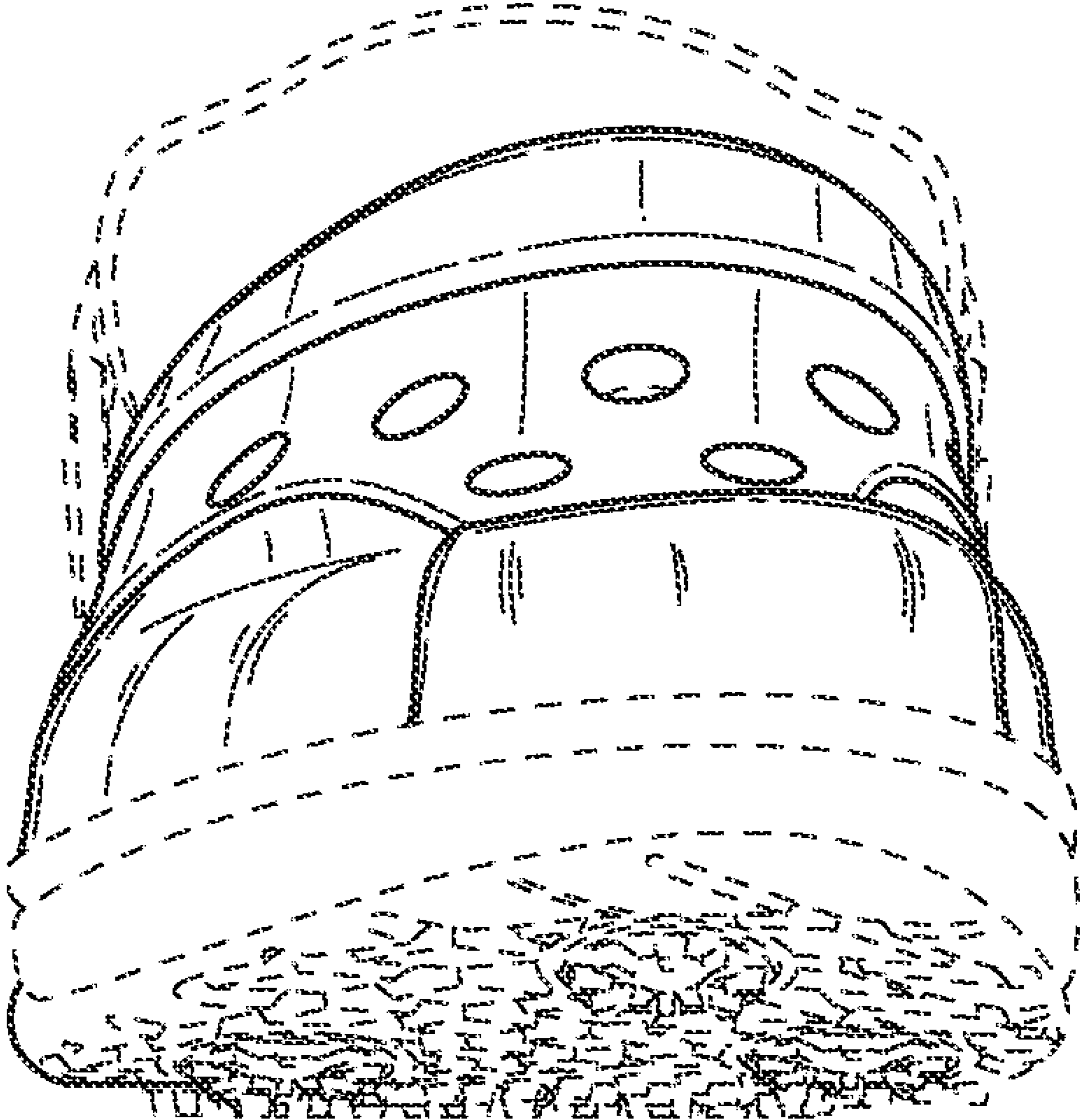


FIG. 4

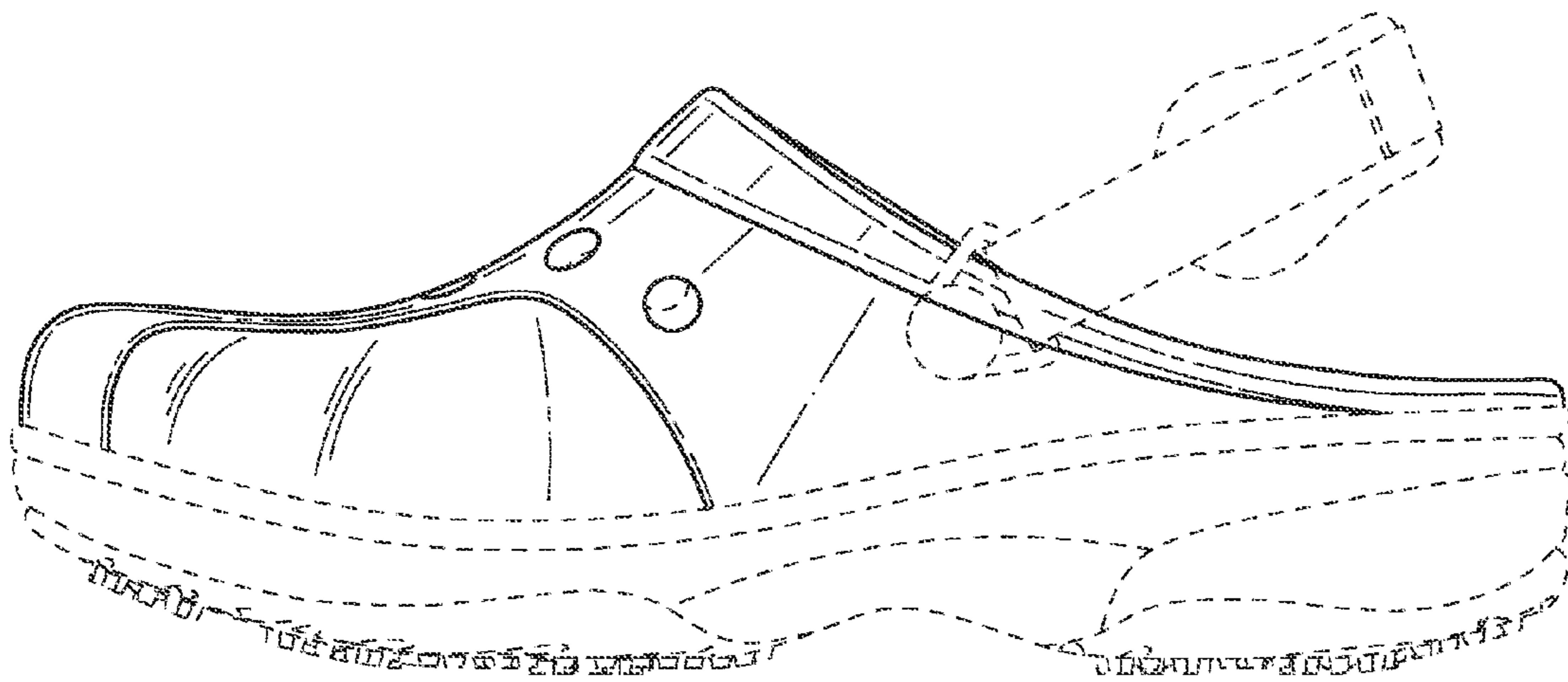


FIG.5

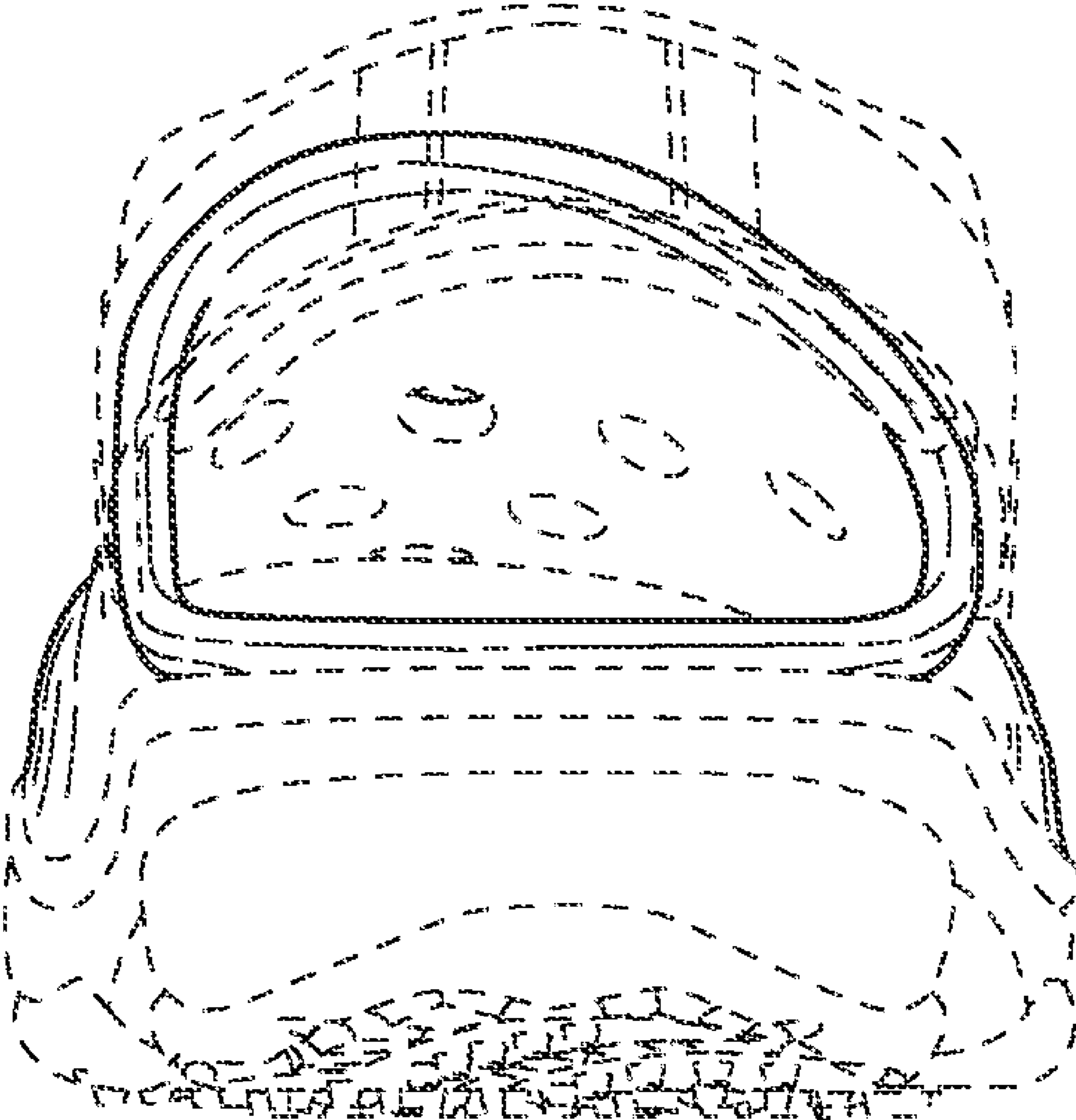


FIG. 6



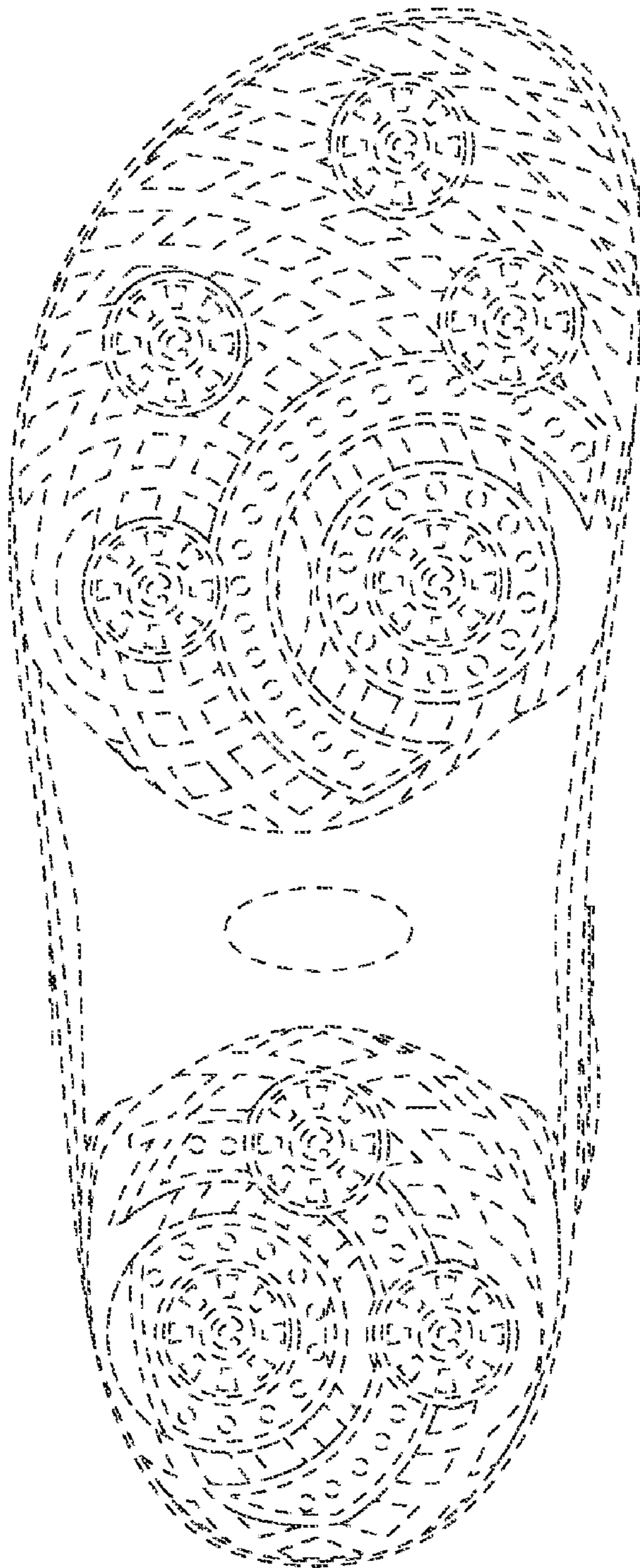


FIG. 7

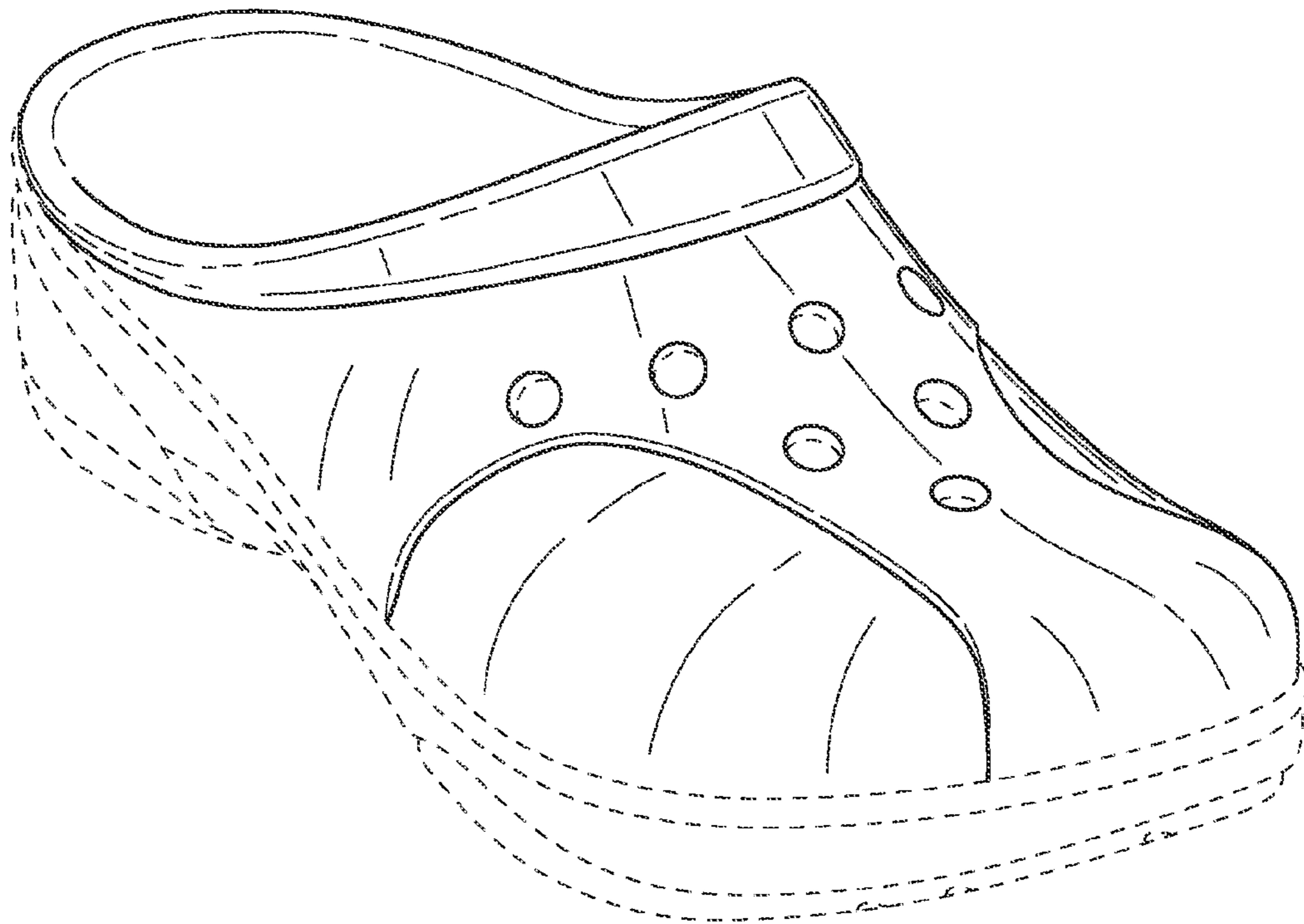


FIG.8

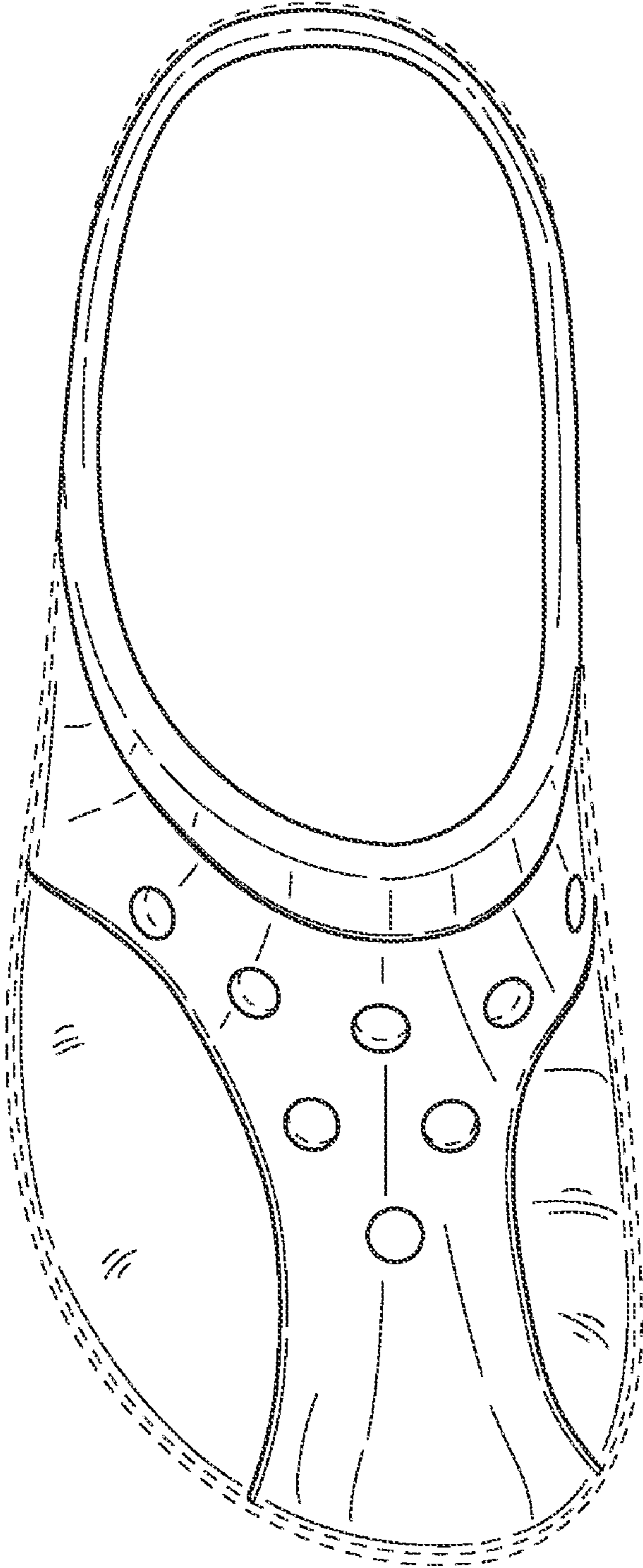


FIG. 9

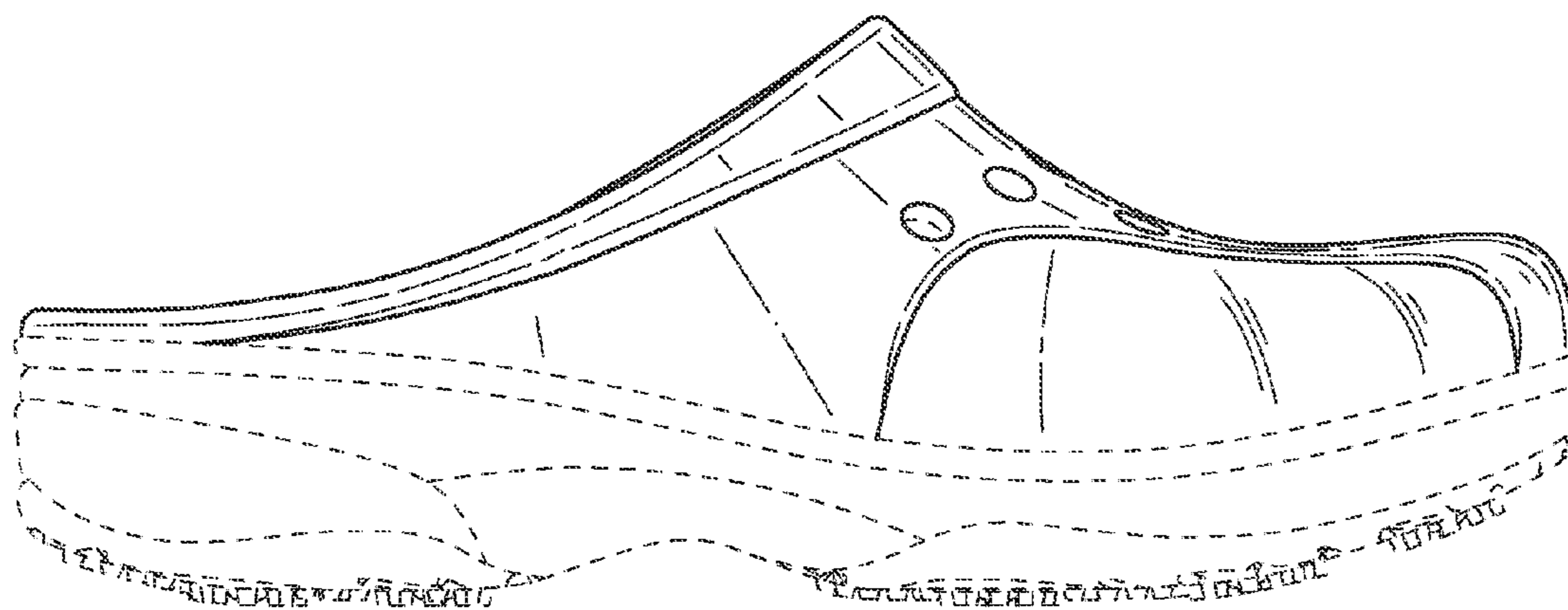


FIG. 10

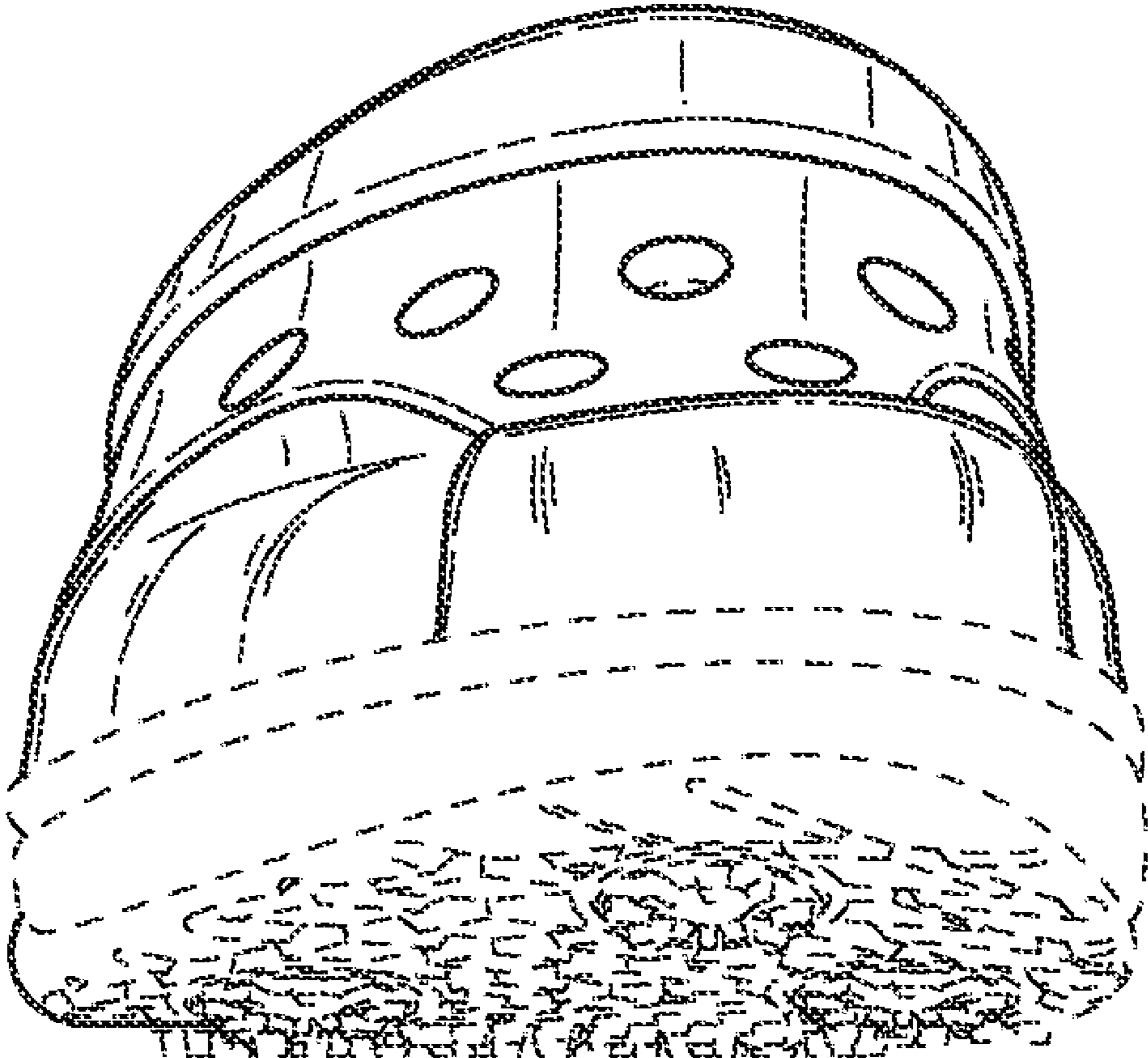


FIG. 11

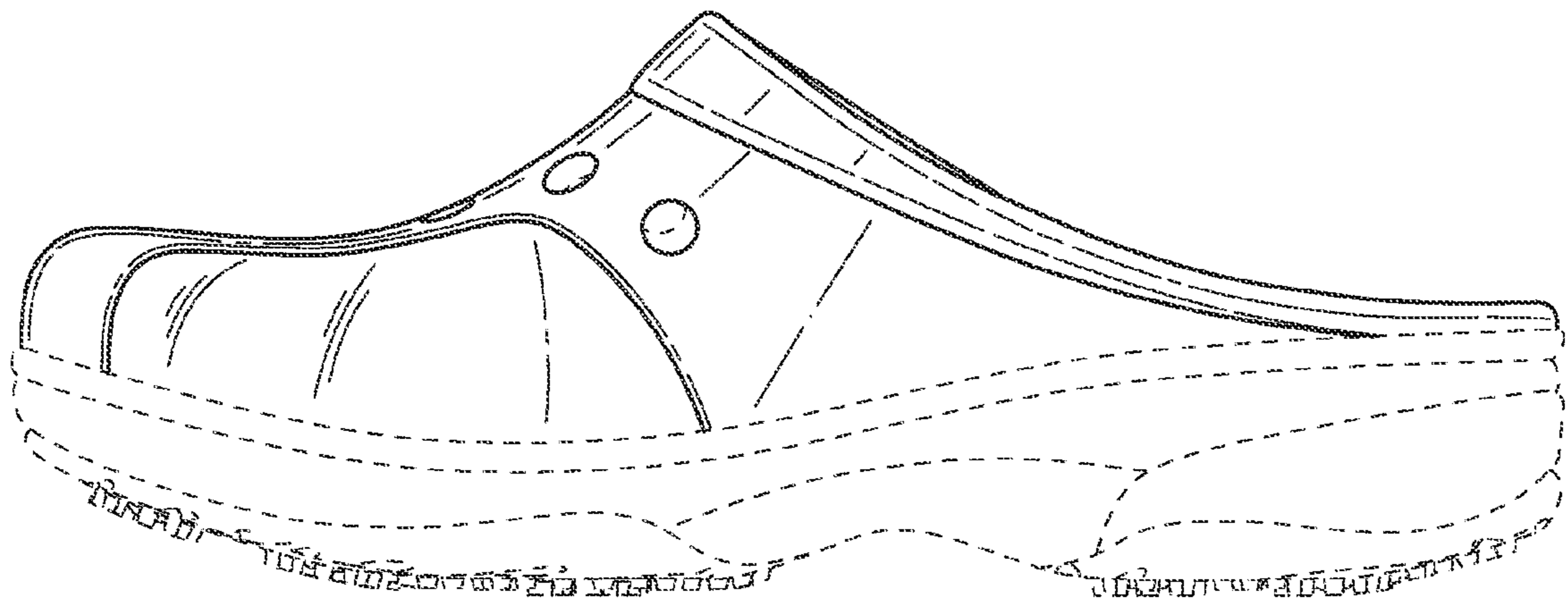


FIG. 12

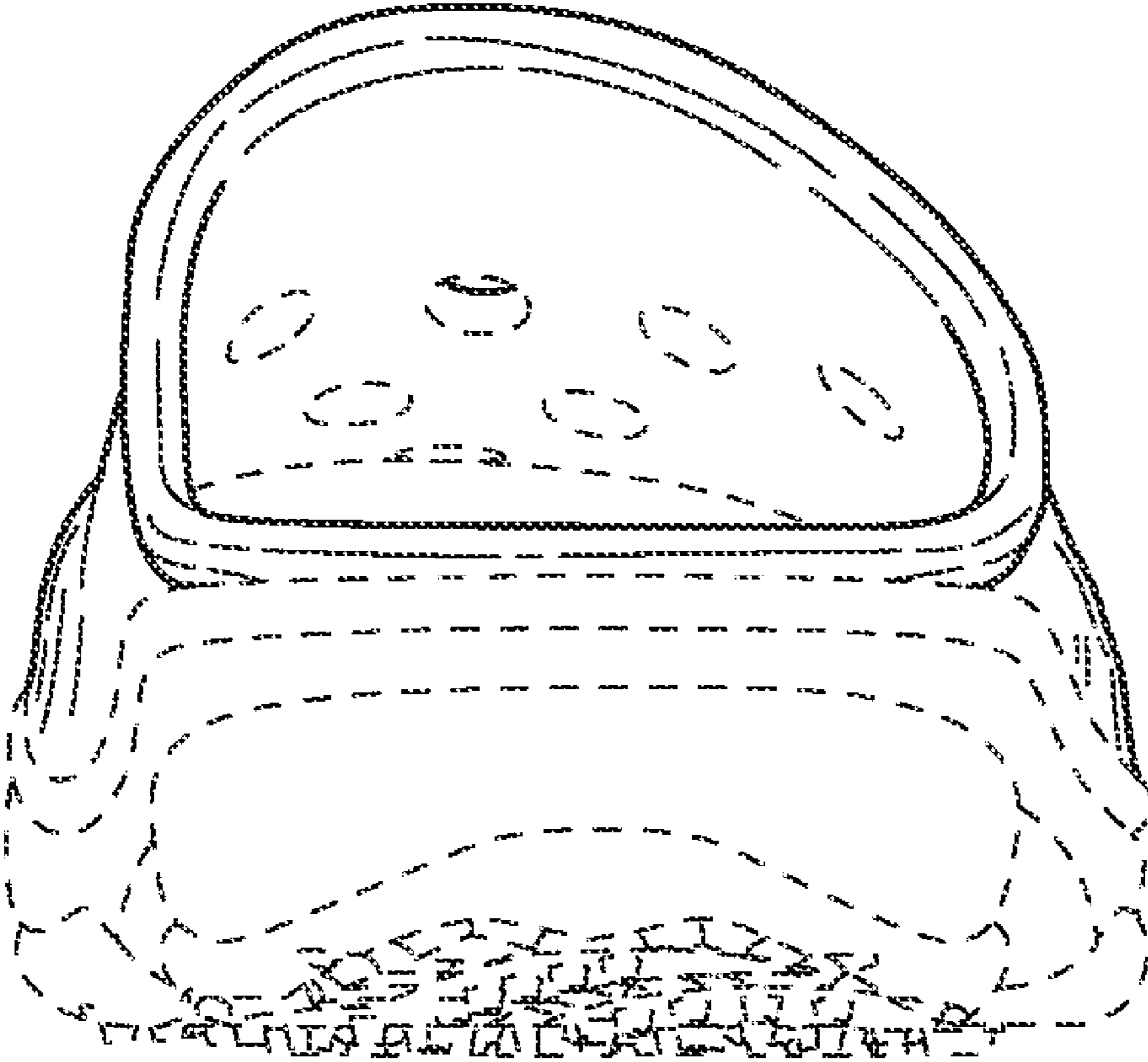


FIG. 13

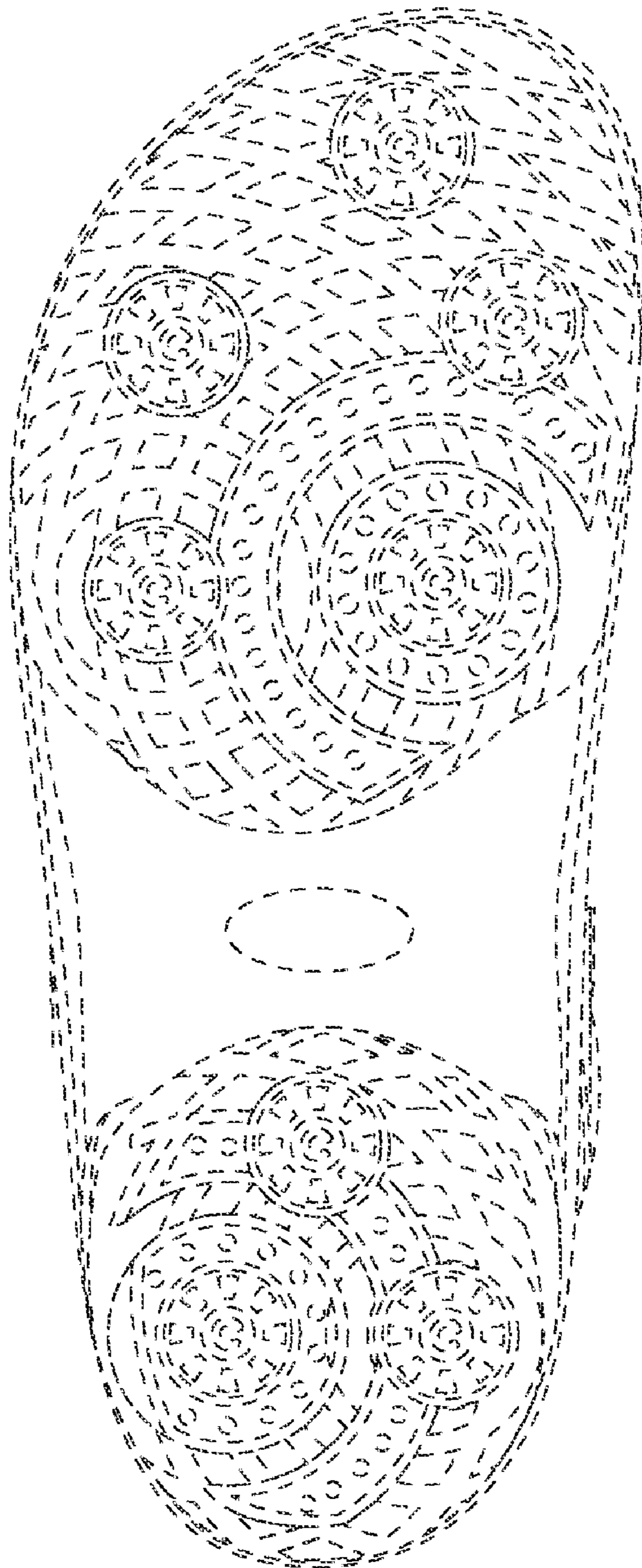


FIG. 14