

US00D637378S

(12) **United States Design Patent**
Cornwell

(10) **Patent No.:** **US D637,378 S**

(45) **Date of Patent:** **** May 10, 2011**

(54) **COWBOY HAT WITH EAR FLAPS AND CHIN STRAP**

(76) Inventor: **Lawrence I. Cornwell**, Conyers, GA
(US)

(**) Term: **14 Years**

(21) Appl. No.: **29/367,767**

(22) Filed: **Aug. 12, 2010**

(51) **LOC (9) Cl.** **02-03**

(52) **U.S. Cl.** **D2/887**

(58) **Field of Classification Search** D2/865,
D2/866, 869, 870, 873, 878, 880, 881, 886,
D2/887, 888, 889; D29/104, 105, 106; 2/171,
2/171.03, 171.3, 172, 195.1, 206, 209.12,
2/209.13, 272, 416, 423
See application file for complete search history.

5,369,808	A *	12/1994	Brewer et al.	2/175.3
D359,383	S *	6/1995	Hutchinson et al.	D2/866
D386,305	S *	11/1997	Lau	D3/271.4
5,713,083	A *	2/1998	King	2/416
5,765,229	A	6/1998	McLeod et al.	
6,021,931	A *	2/2000	Plastino	223/12
D458,735	S *	6/2002	Cook et al.	D2/869
D474,326	S *	5/2003	Williams	D2/886
D513,988	S *	1/2006	Malik	D9/451
D538,513	S *	3/2007	Serratelli	D2/888
7,454,799	B2 *	11/2008	Wuensche et al.	2/172
D604,930	S *	12/2009	Denny	D2/887
D605,380	S *	12/2009	Denny	D2/887
D606,287	S *	12/2009	Denny	D2/887

* cited by examiner

Primary Examiner — Karen E. Eldridge Powers

(57) **CLAIM**

The ornamental design for a cowboy hat with ear flaps and chin strap, as shown and described.

(56) **References Cited**

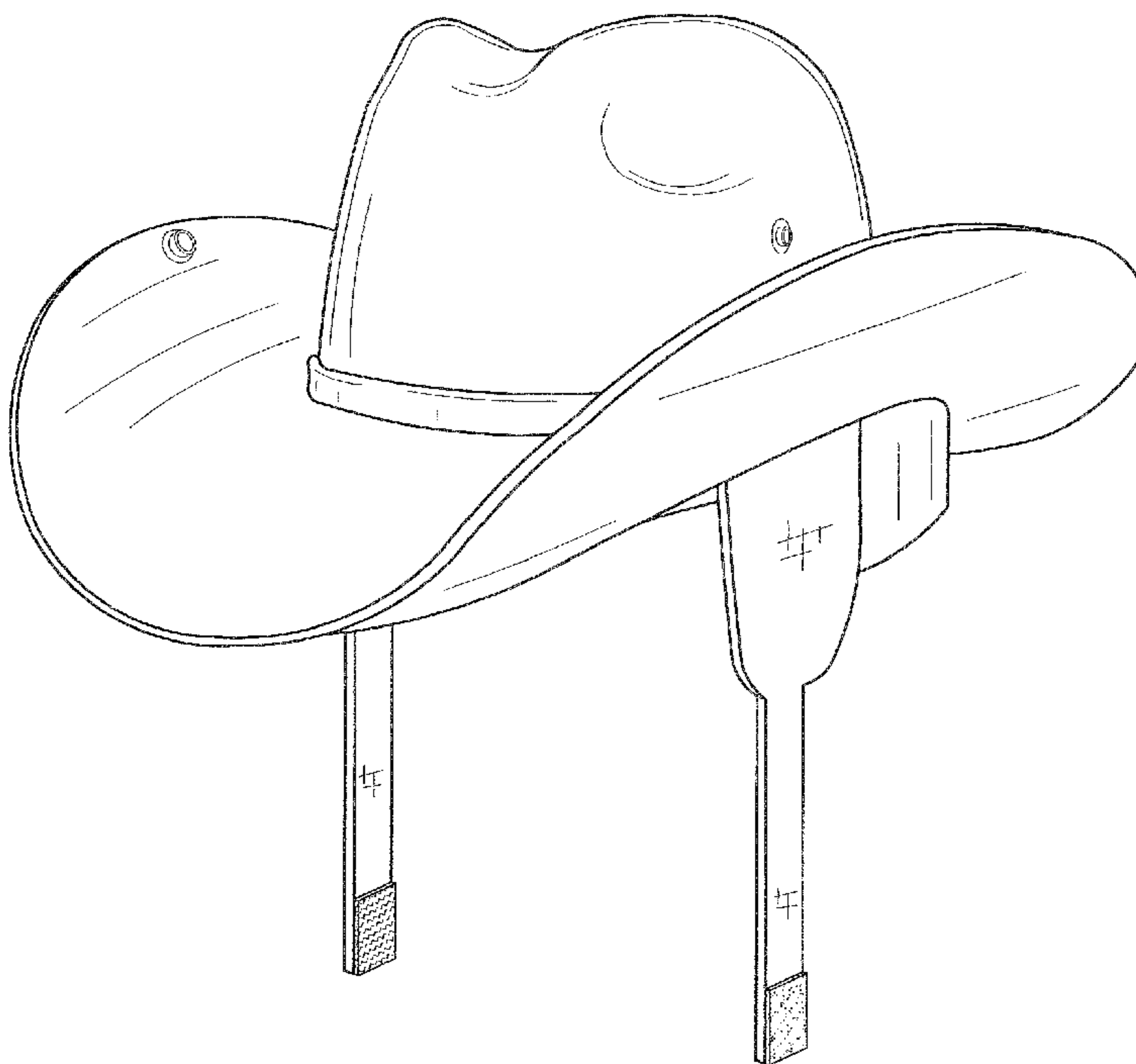
U.S. PATENT DOCUMENTS

D1,319	S *	10/1860	Murdock	D2/870
191,061	A *	5/1877	Kuhlman	2/272
379,965	A	3/1888	Lippincott	
390,928	A	10/1888	Weldon	
812,659	A *	2/1906	Lorsch	2/172
849,102	A	4/1907	Borneman	
2,055,560	A	9/1936	Rose	
D153,538	S *	4/1949	Moore	D2/887
2,879,518	A *	3/1959	Welton	2/175.5
3,518,701	A	7/1970	Fekete	
D257,448	S *	10/1980	Johnson, Jr.	D2/889
4,633,530	A	1/1987	Satterfield	
D318,171	S *	7/1991	Foresman et al.	D2/880
D350,427	S *	9/1994	Vig et al.	D2/887

DESCRIPTION

FIG. 1 is a perspective view of a cowboy hat with ear flaps and chin strap showing my new design; FIG. 2 is a side view thereof; FIG. 3 is an opposite side view thereof; FIG. 4 is a front view thereof; FIG. 5 is a back view thereof; FIG. 6 is a top view thereof; and, FIG. 7 is a bottom view thereof. The crosshatched pattern, although shown intermittently, represents fabric and is understood to be distributed uniformly over the plain surfaces of the chin strap.

1 Claim, 7 Drawing Sheets



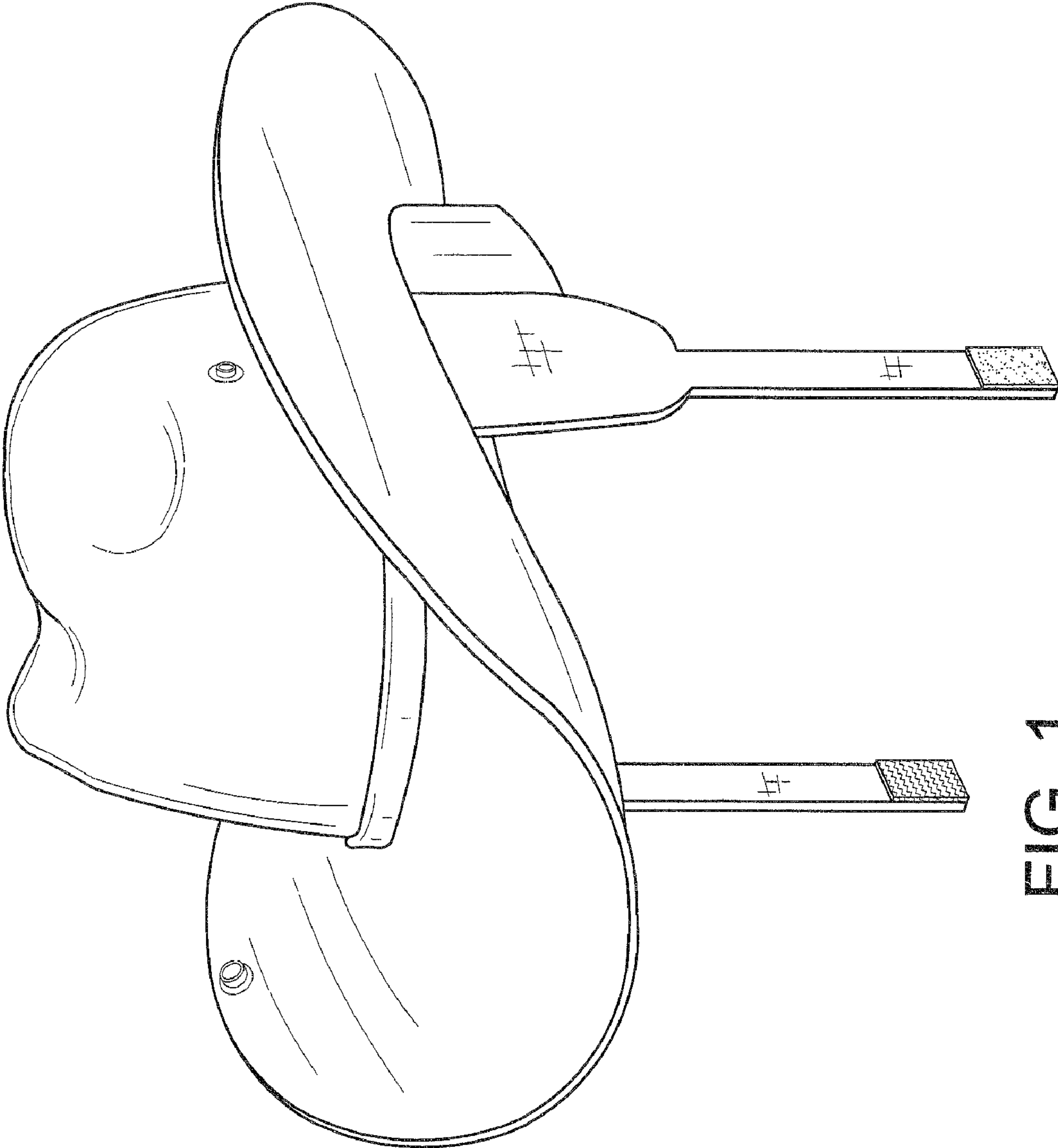


FIG. 1

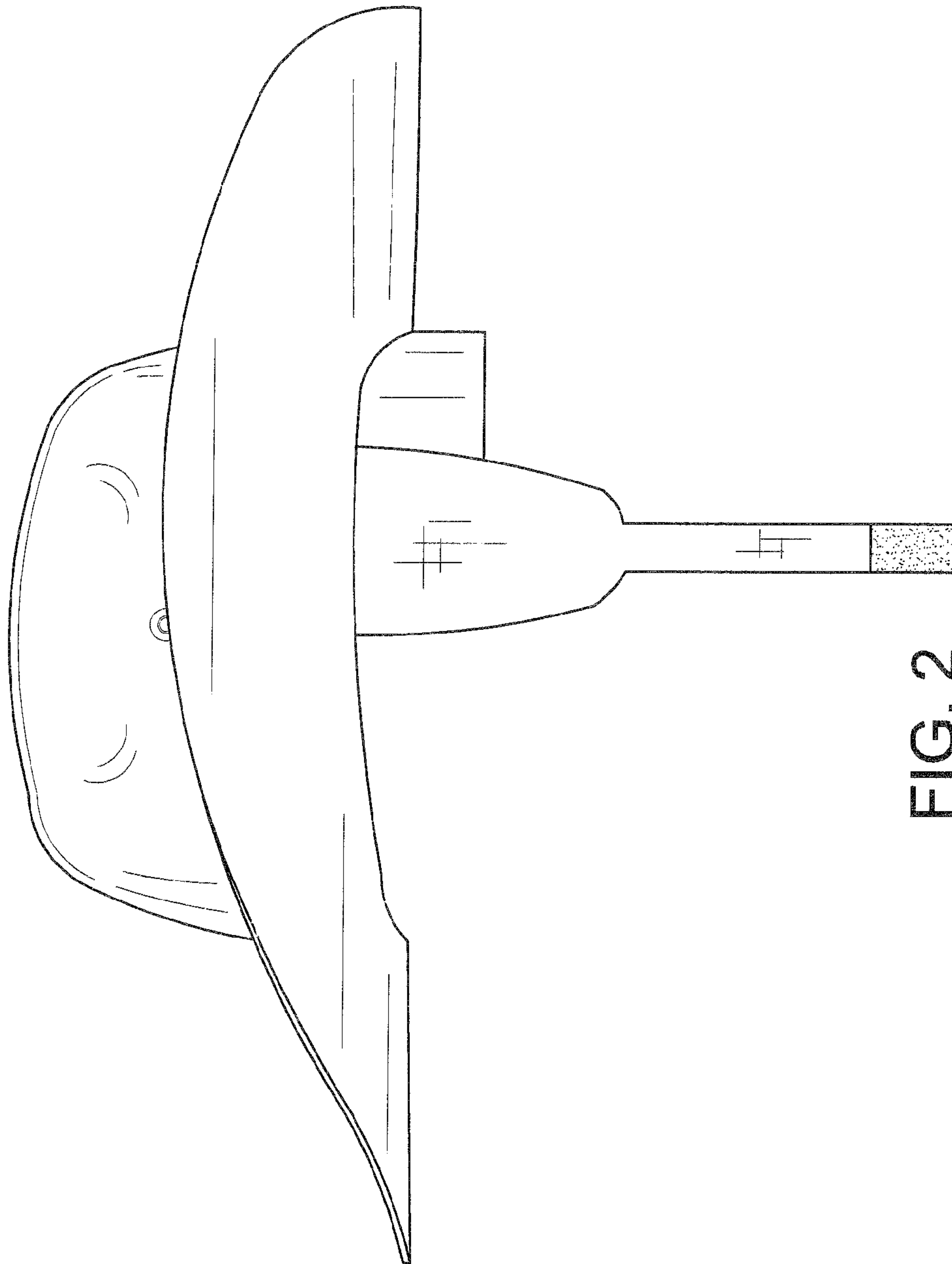


FIG. 2

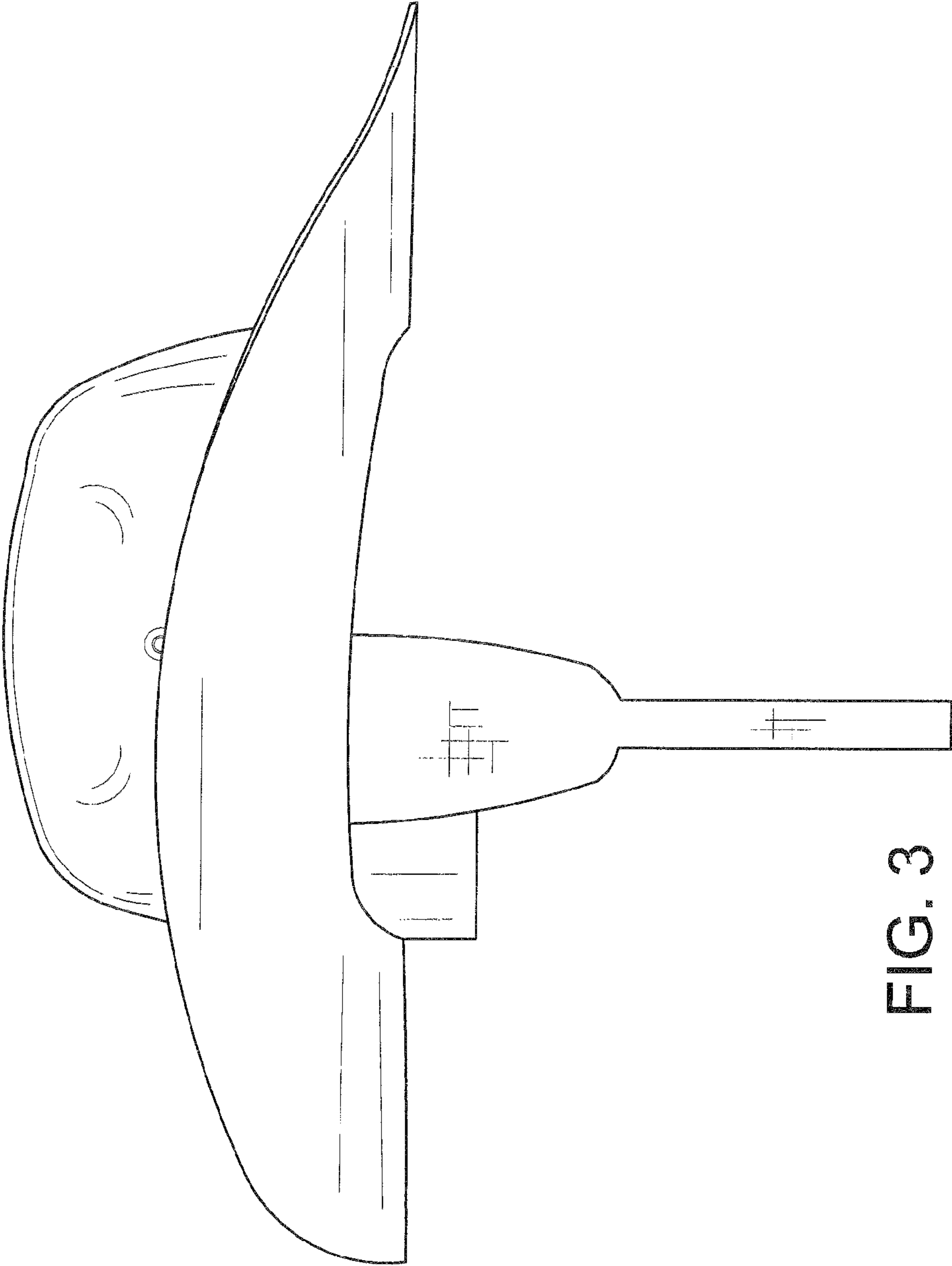


FIG. 3

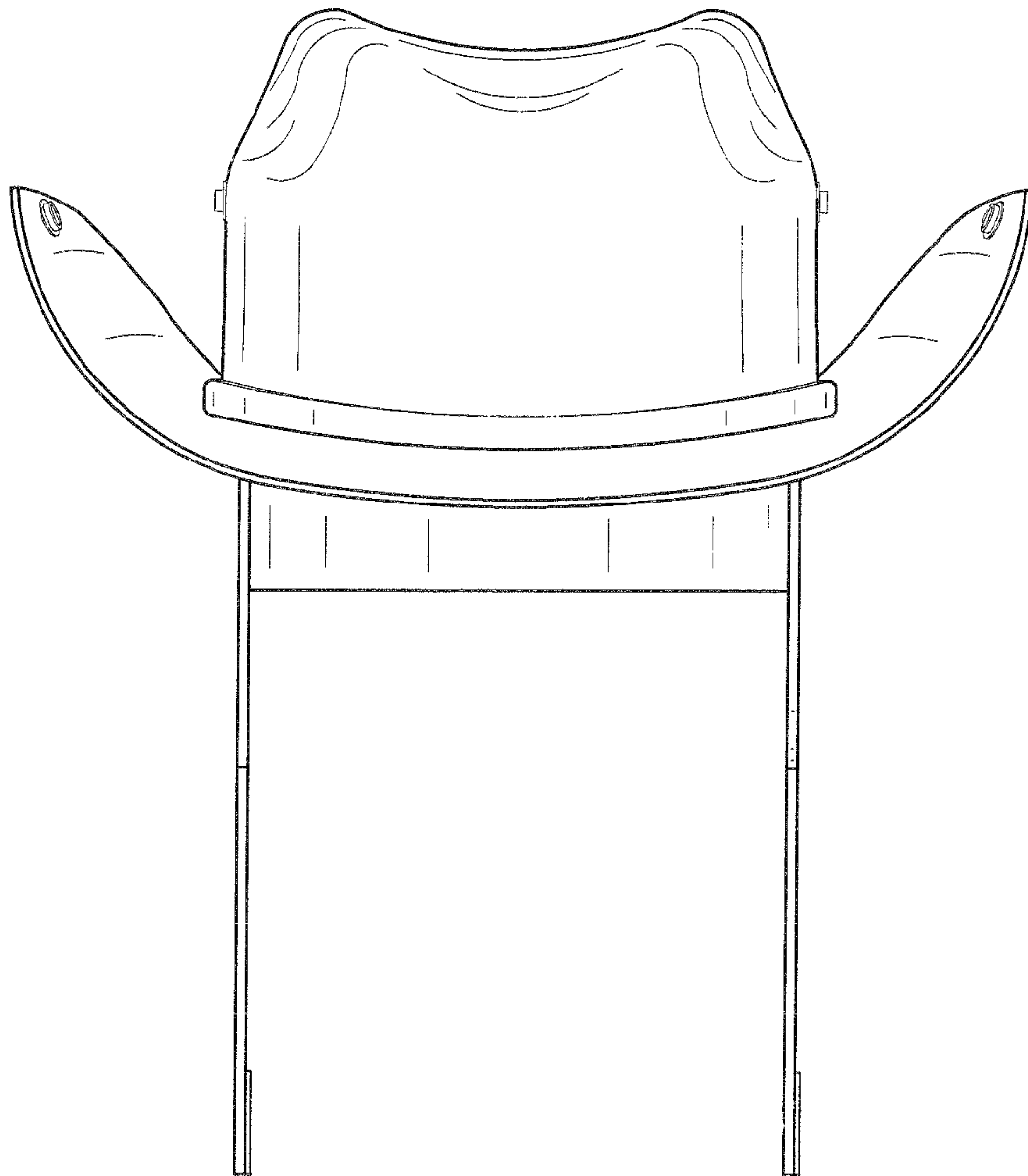


FIG. 4

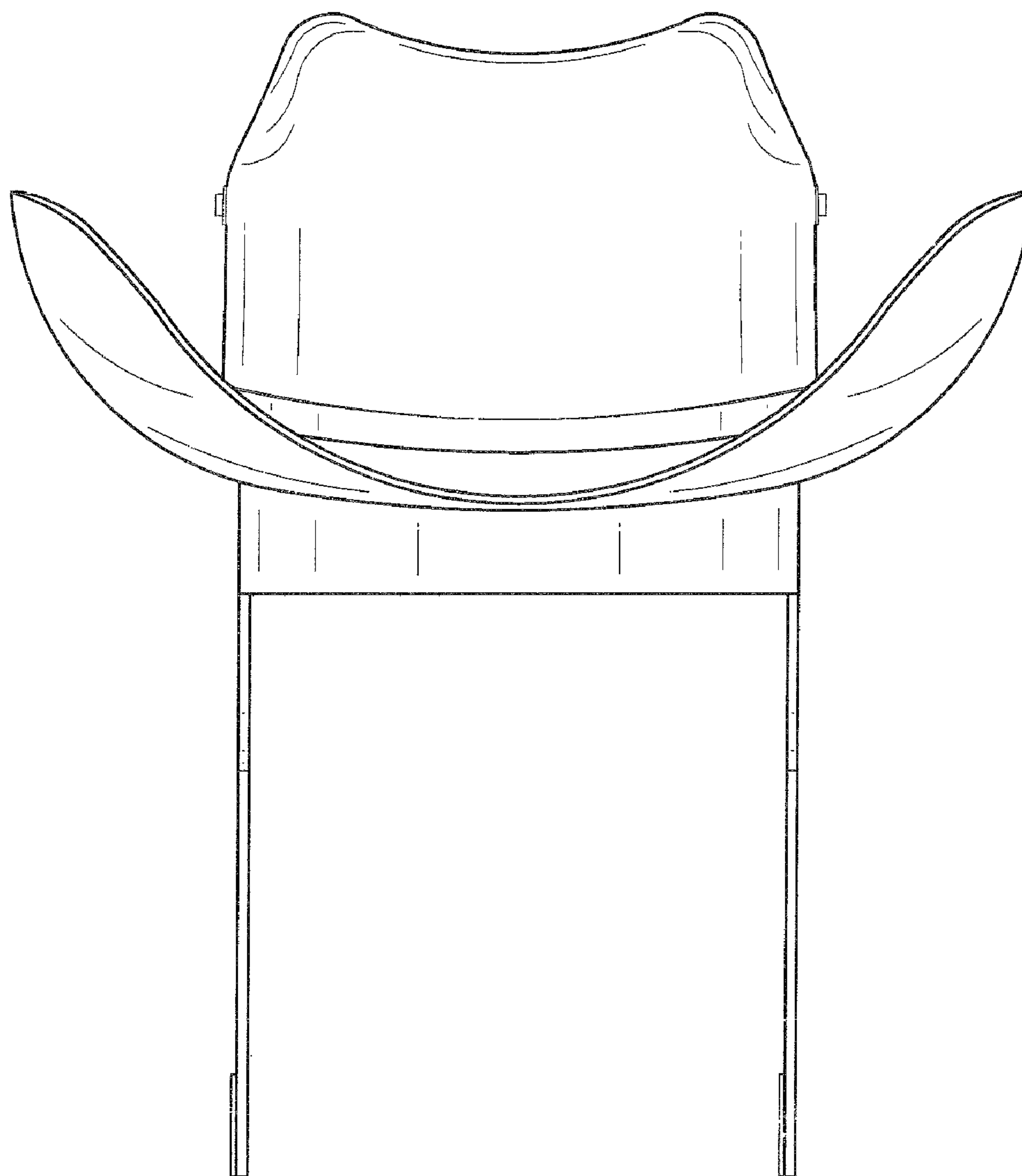


FIG. 5

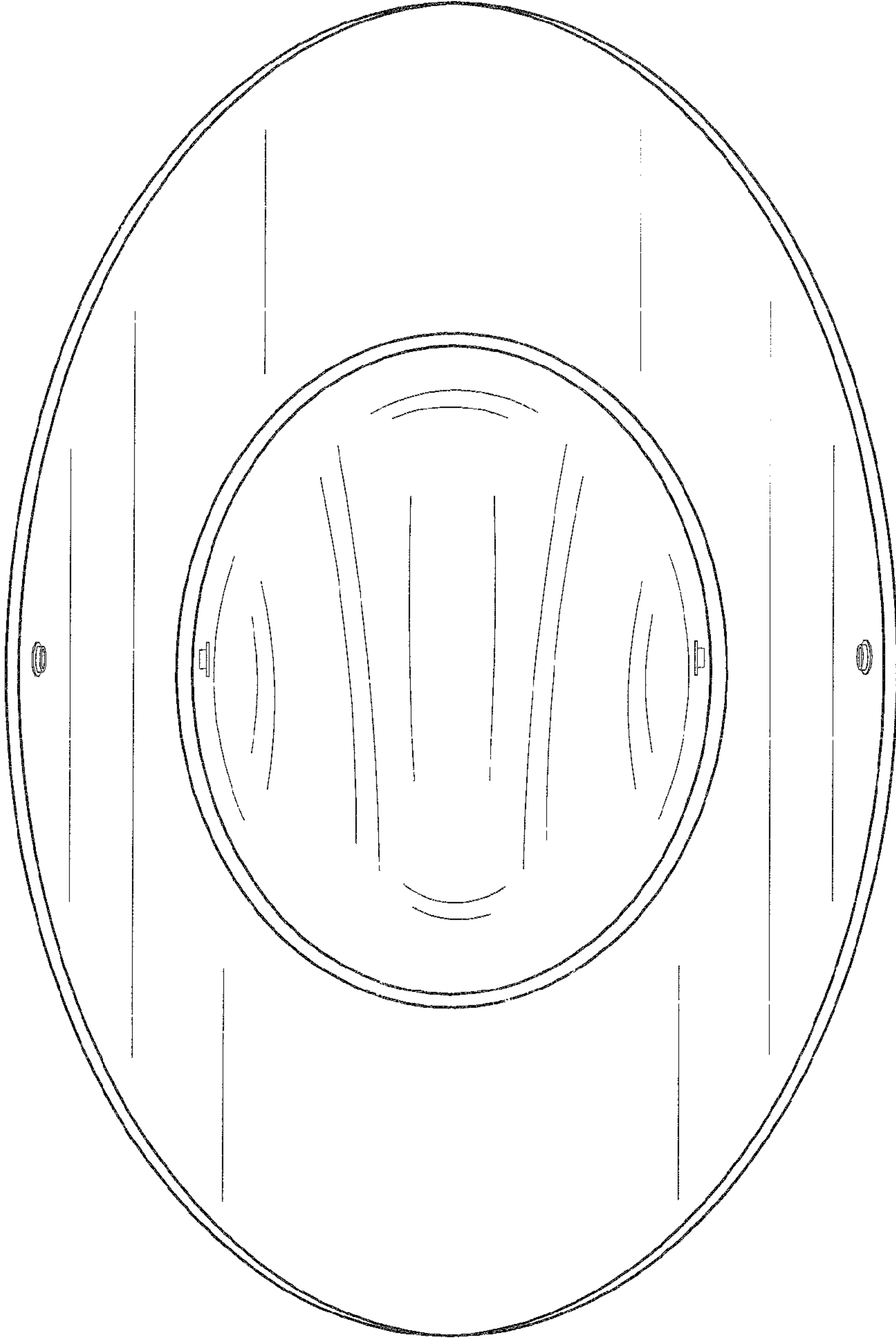


FIG. 6

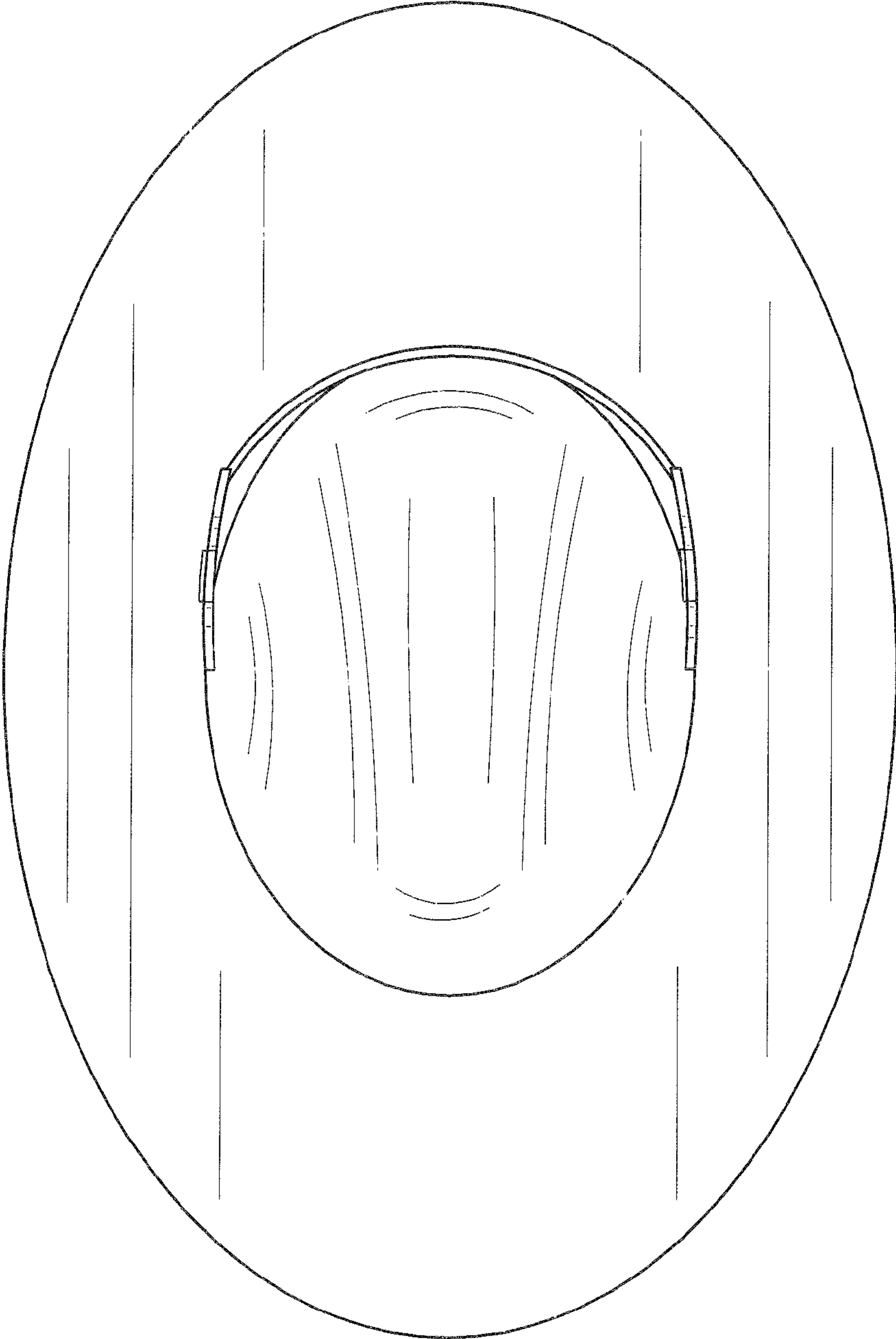


FIG. 7