



US00D637374S

(12) **United States Design Patent**
Giannetti et al.

(10) **Patent No.:** **US D637,374 S**

(45) **Date of Patent:** **** May 3, 2011**

(54) **CARRIAGE CADDY**

* cited by examiner

(76) Inventors: **Robert G. Giannetti**, West Caldwell, NJ (US); **Robert G. Giannetti, Jr.**, West Caldwell, NJ (US)

Primary Examiner — Cynthia Ramirez

(74) *Attorney, Agent, or Firm* — Charles I. Brodsky

(**) Term: **14 Years**

(57) **CLAIM**

The ornamental design for a carriage caddy, as shown and described.

(21) Appl. No.: **29/370,732**

(22) Filed: **Aug. 30, 2010**

(51) **LOC (9) Cl.** **12-02**

(52) **U.S. Cl.** **D34/27**

(58) **Field of Classification Search** D34/27,
D34/12, 14; 280/33.991, 33.992, 33.993,
280/33.997, 653, 47.33, 47.32

See application file for complete search history.

DESCRIPTION

FIG. 1 is a front perspective view of a carriage caddy showing my new design;

FIG. 2 is front view thereof;

FIG. 3 is a rear view thereof;

FIG. 4 is a top view showing my new design;

FIG. 5 is a bottom view thereof;

FIG. 6 is a left side view; and,

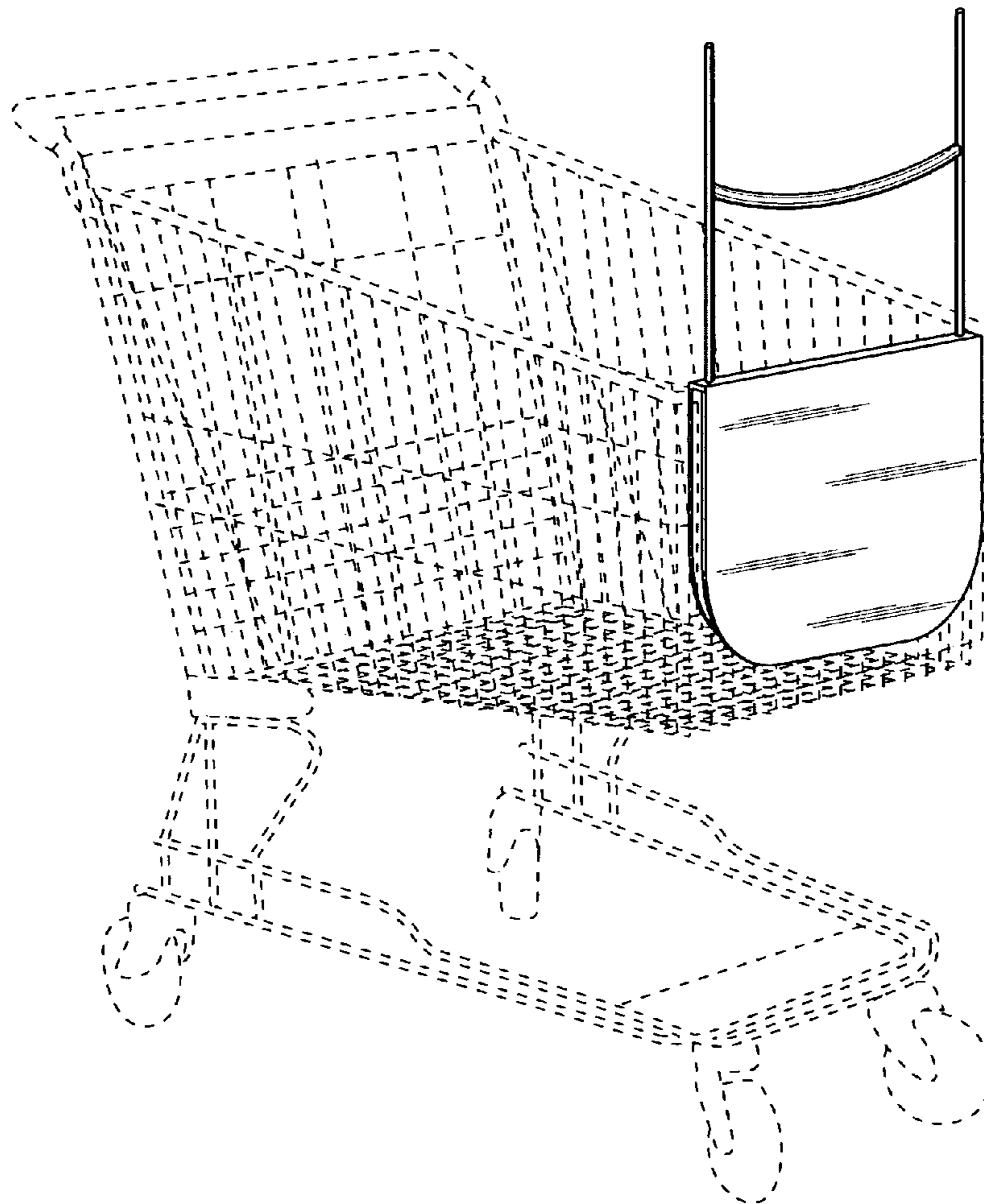
FIG. 7 is a right side view showing my new design.

(56) **References Cited**

U.S. PATENT DOCUMENTS

D361,422 S * 8/1995 Coates D34/27
2006/0186624 A1* 8/2006 Kady 280/47.18

1 Claim, 3 Drawing Sheets



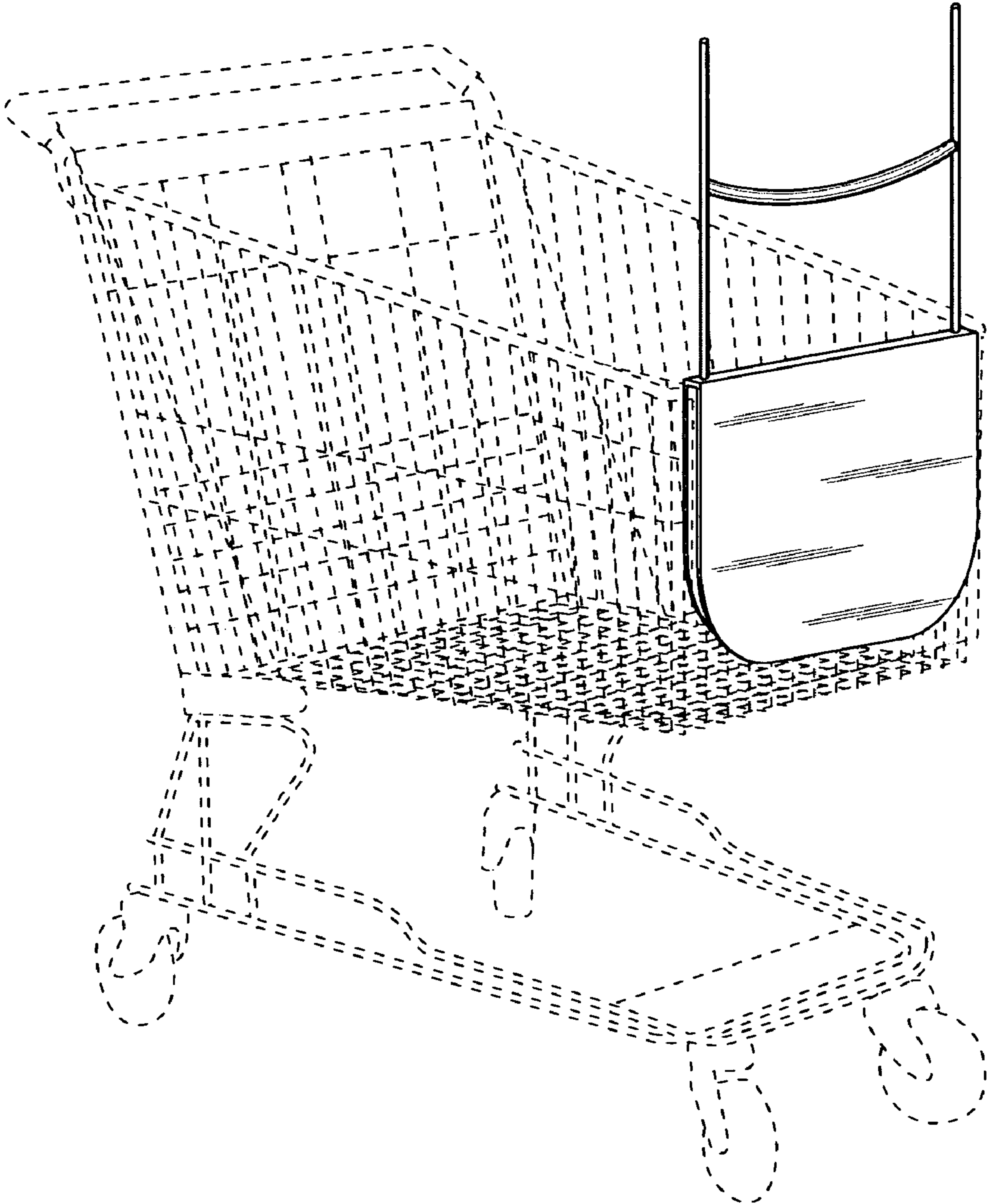


FIG. 1

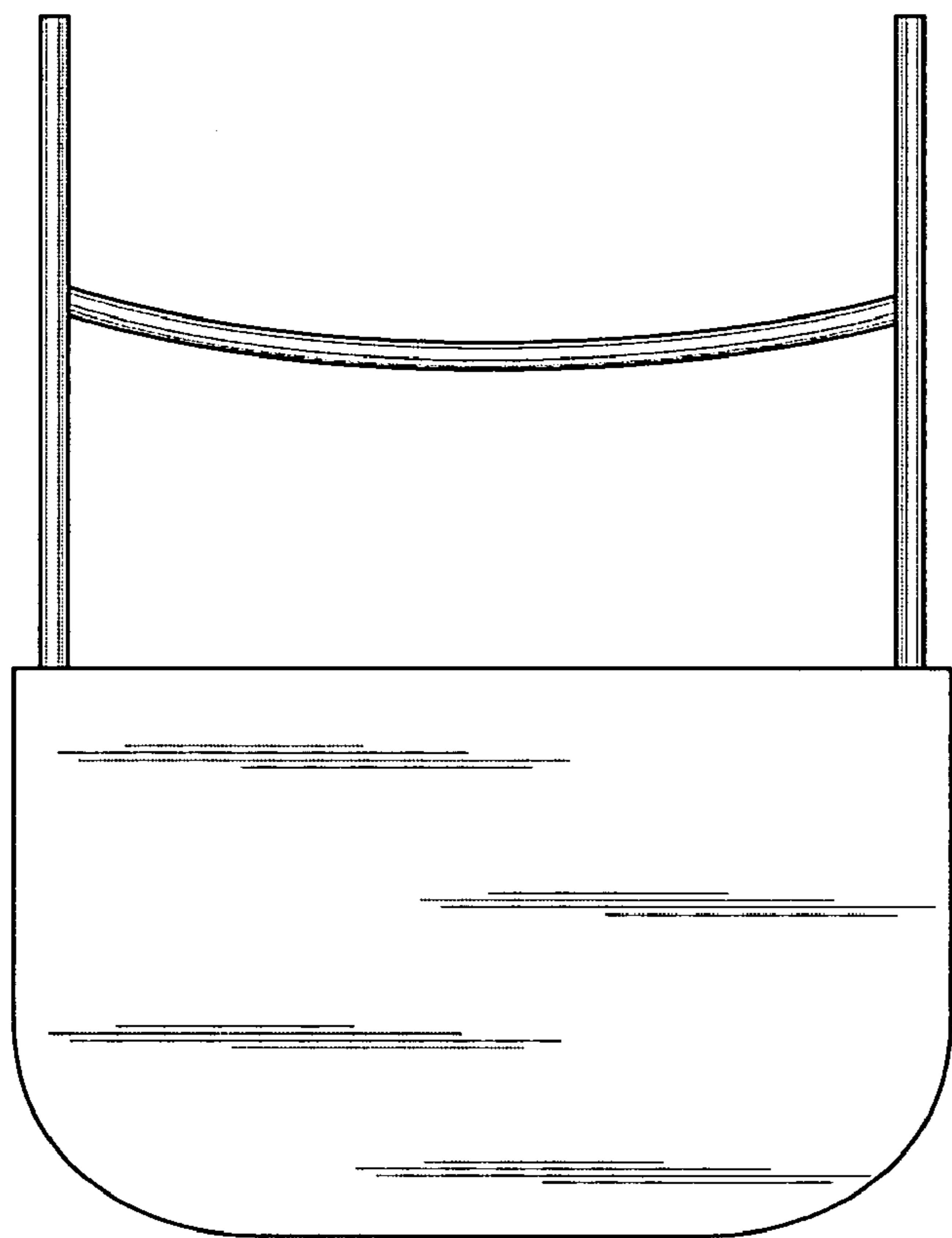


FIG. 2

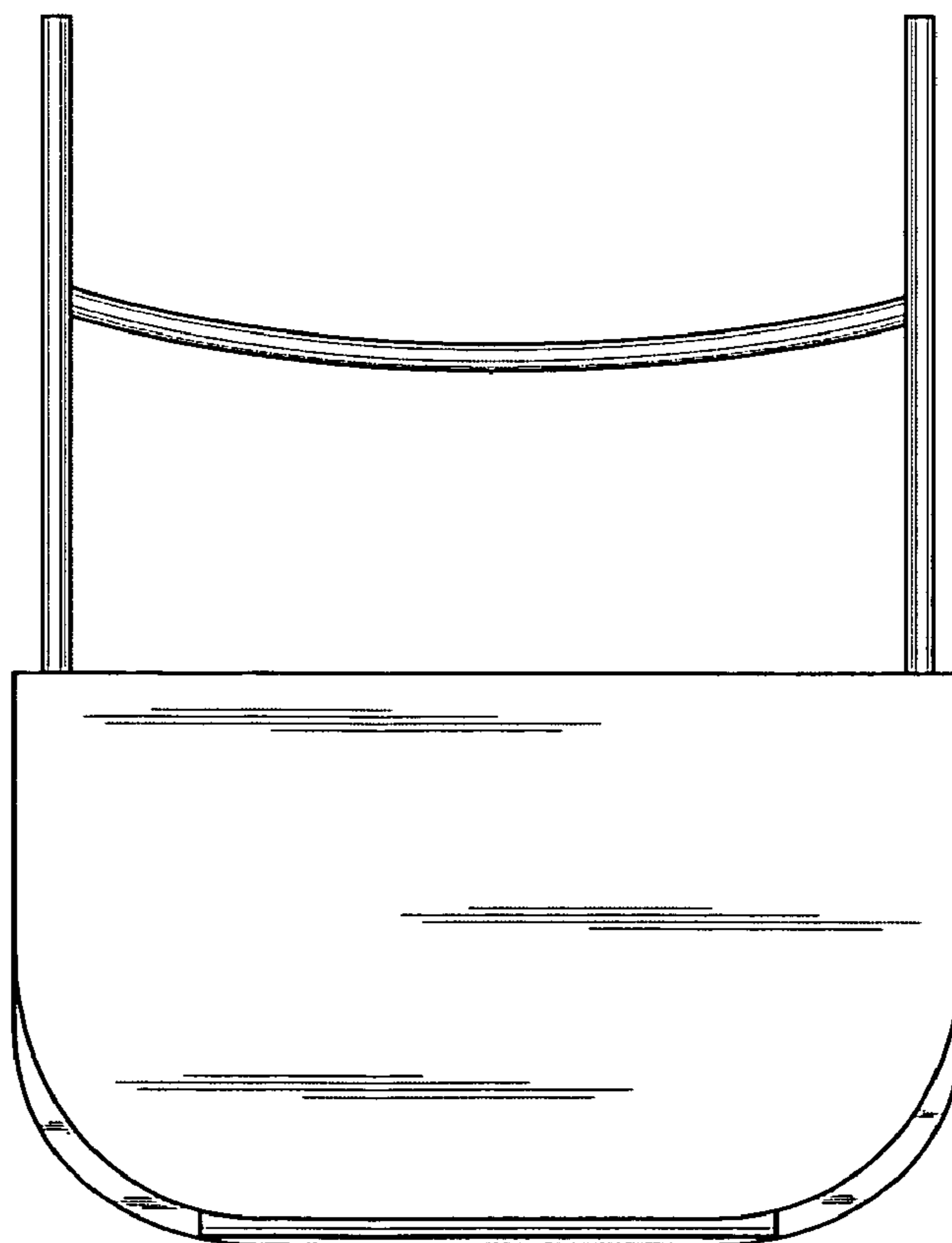


FIG. 3

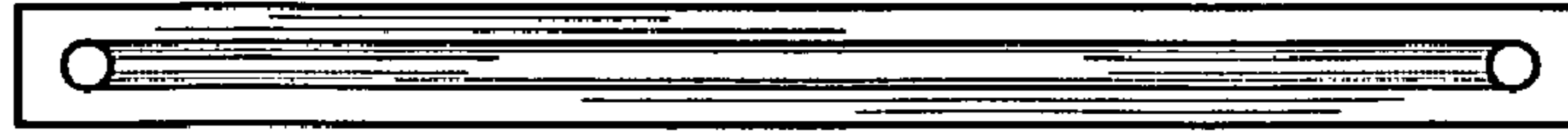


FIG. 4



FIG. 5

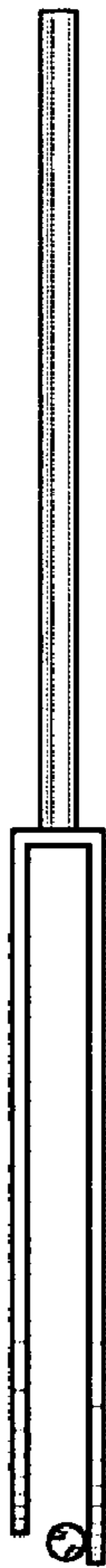


FIG. 6



FIG. 7