



US00D637370S

(12) **United States Design Patent**
Megown et al.

(10) **Patent No.:** **US D637,370 S**

(45) **Date of Patent:** **** May 3, 2011**

(54) **HAND-HELD BUFFING APPARATUS**

(76) Inventors: **Michael W. Megown**, St. Louis, MO
(US); **James T. Farrell**, Bonita Springs,
FL (US)

(**) Term: **14 Years**

(21) Appl. No.: **29/358,873**

(22) Filed: **Apr. 1, 2010**

(51) **LOC (9) Cl.** **15-05**

(52) **U.S. Cl.** **D32/15**

(58) **Field of Classification Search** D32/1,
D32/4, 15, 17, 19; D8/8, 61, 67, 69-70;
451/344, 353-354, 356-359; 15/28, 97.1
See application file for complete search history.

(56) **References Cited**

U.S. PATENT DOCUMENTS

D413,779	S	*	9/1999	Hayakawa et al.	D8/62
D453,668	S	*	2/2002	Pretzell	D8/62
D478,261	S	*	8/2003	Sham	D8/62
D487,008	S	*	2/2004	Andriolo	D8/62
D503,600	S	*	4/2005	Bian	D8/62
D526,549	S	*	8/2006	Aglassinger	D8/62
D527,235	S	*	8/2006	Aglassinger	D8/62
D530,579	S	*	10/2006	Waldron	D8/62
D555,449	S	*	11/2007	Waldron	D8/62
D570,173	S	*	6/2008	O'Hern	D8/62

D592,025	S	*	5/2009	Snowball	D8/62
D598,261	S	*	8/2009	Waldron	D8/62
D620,775	S	*	8/2010	Stratford et al.	D8/62

* cited by examiner

Primary Examiner — T. Chase Nelson

Assistant Examiner — Kathleen M Sims

(74) *Attorney, Agent, or Firm* — Kevin L. Klug

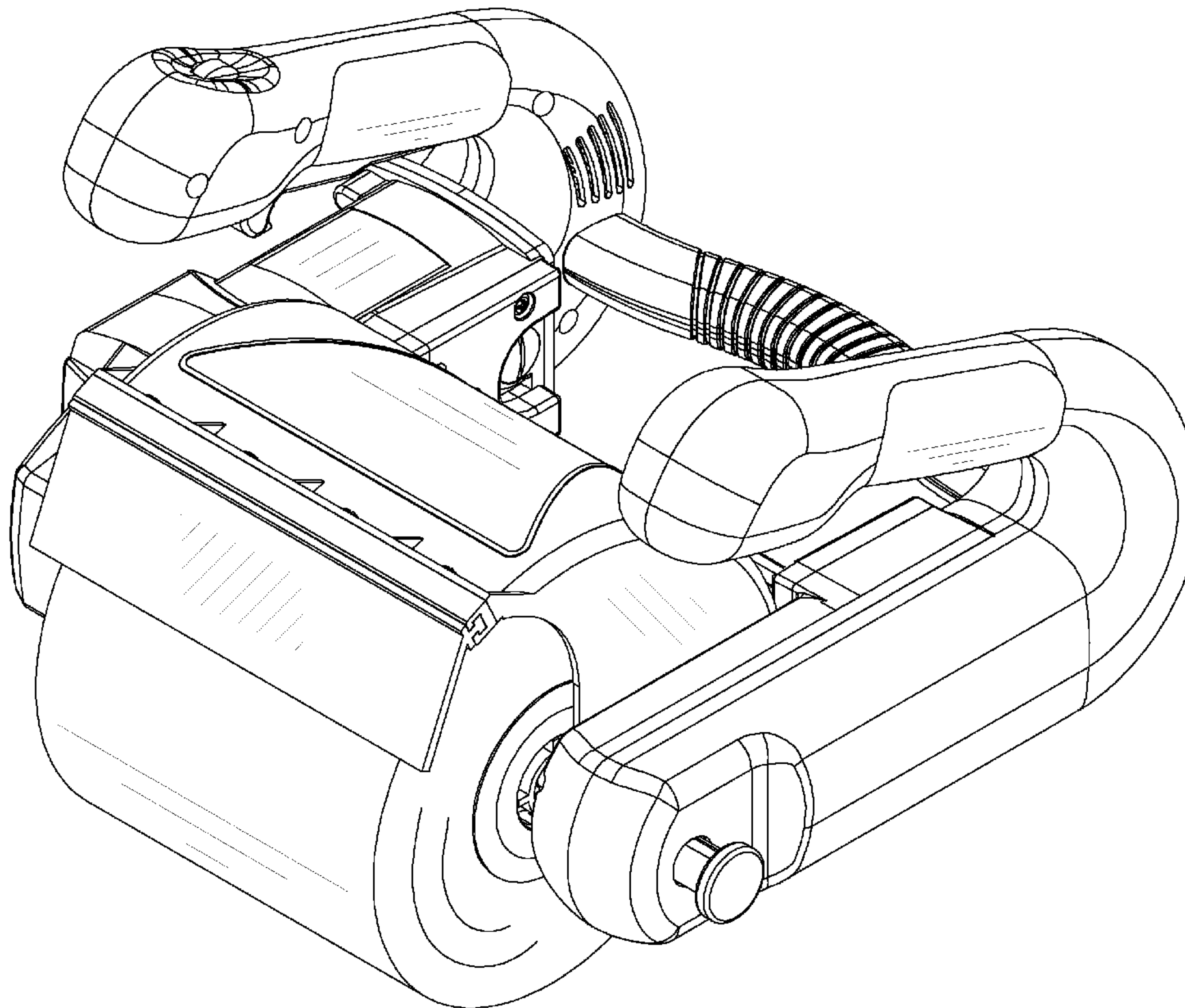
(57) **CLAIM**

The ornamental design for a hand-held buffing apparatus, as shown and described.

DESCRIPTION

FIG. 1 is a front right top perspective view of a hand-held buffing apparatus;
FIG. 2 is a front left perspective view thereof;
FIG. 3 is a rear left top perspective view thereof;
FIG. 4 is a rear right top perspective view thereof;
FIG. 5 is a front right bottom perspective view thereof;
FIG. 6 is a front left bottom perspective view thereof;
FIG. 7 is a rear left bottom perspective view thereof;
FIG. 8 is a rear right bottom perspective view thereof;
FIG. 9 is a front elevation view thereof;
FIG. 10 is a rear elevation view thereof;
FIG. 11 is a left elevation view thereof;
FIG. 12 is a right elevation view thereof;
FIG. 13 is a top plan view thereof; and,
FIG. 14 is a bottom plan view thereof.

1 Claim, 14 Drawing Sheets



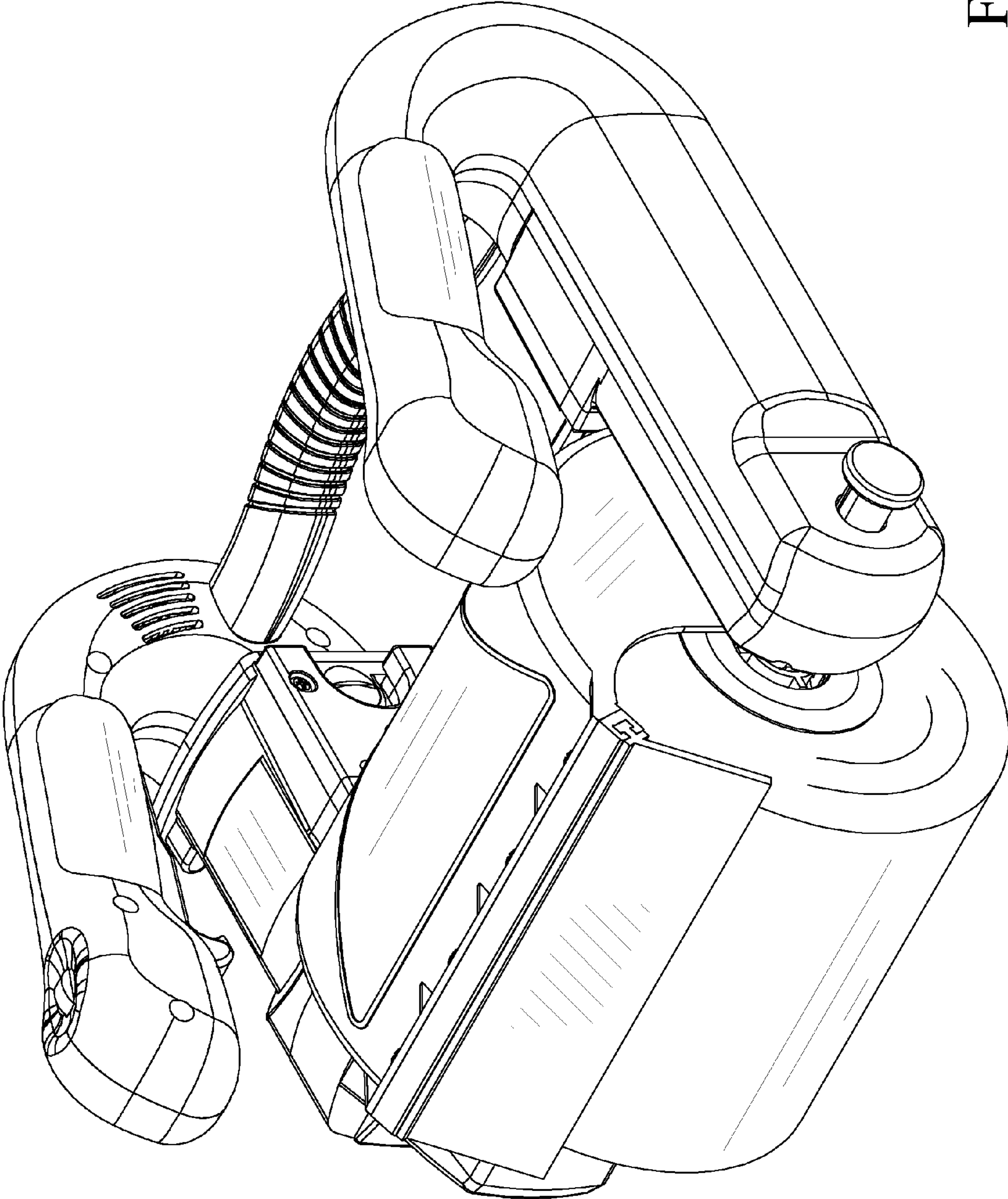


Fig. 1

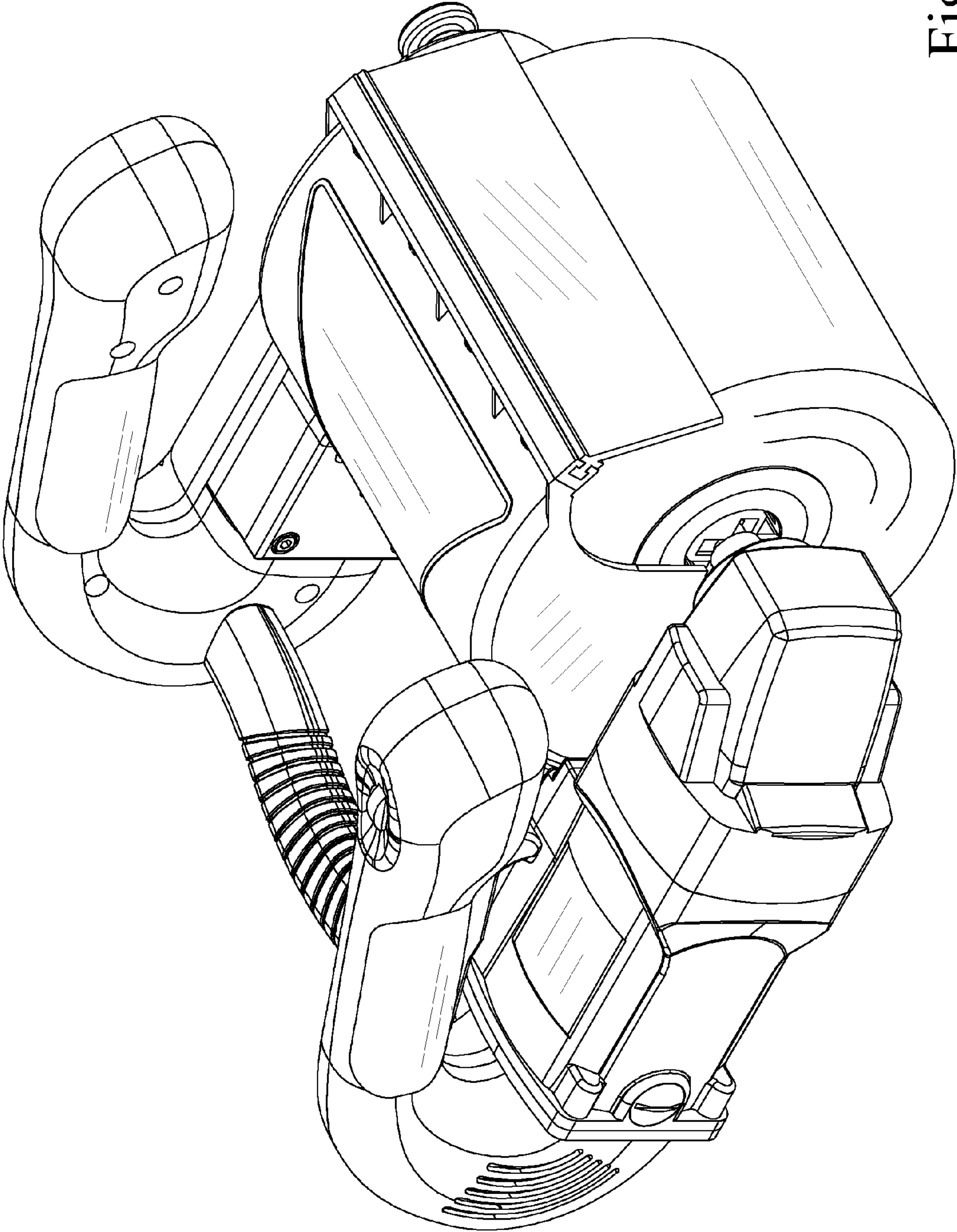


Fig. 2

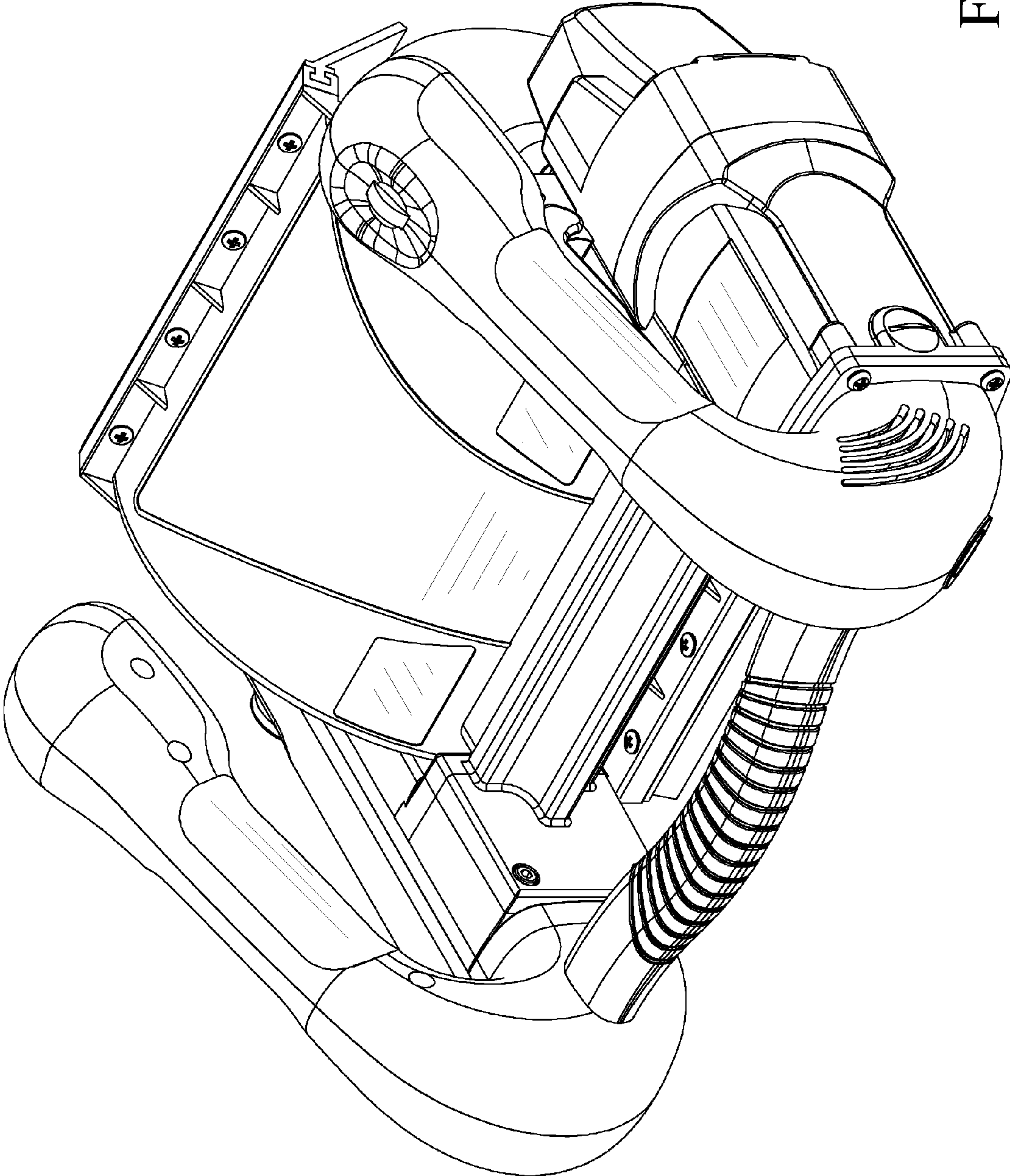


Fig. 3

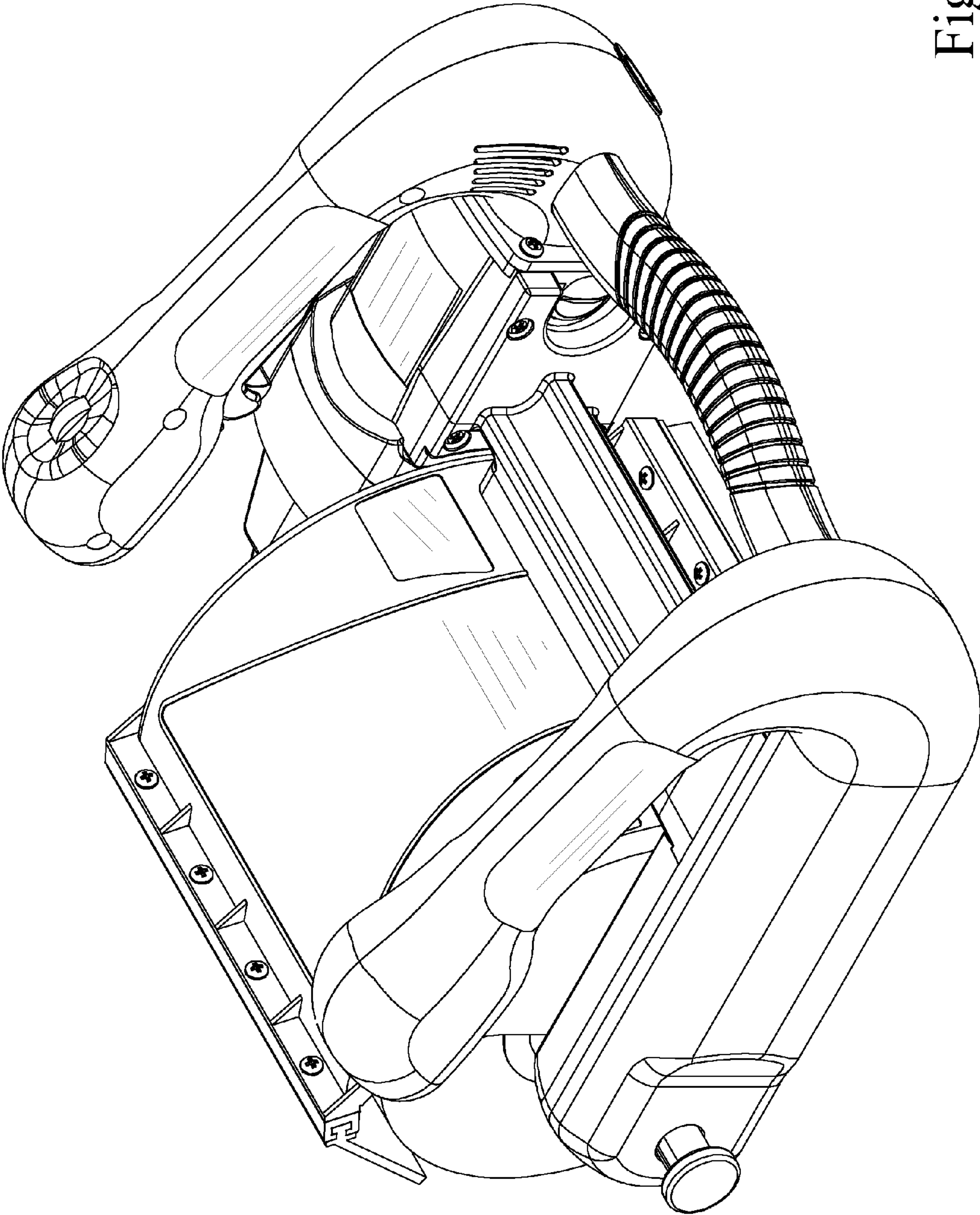


Fig. 4

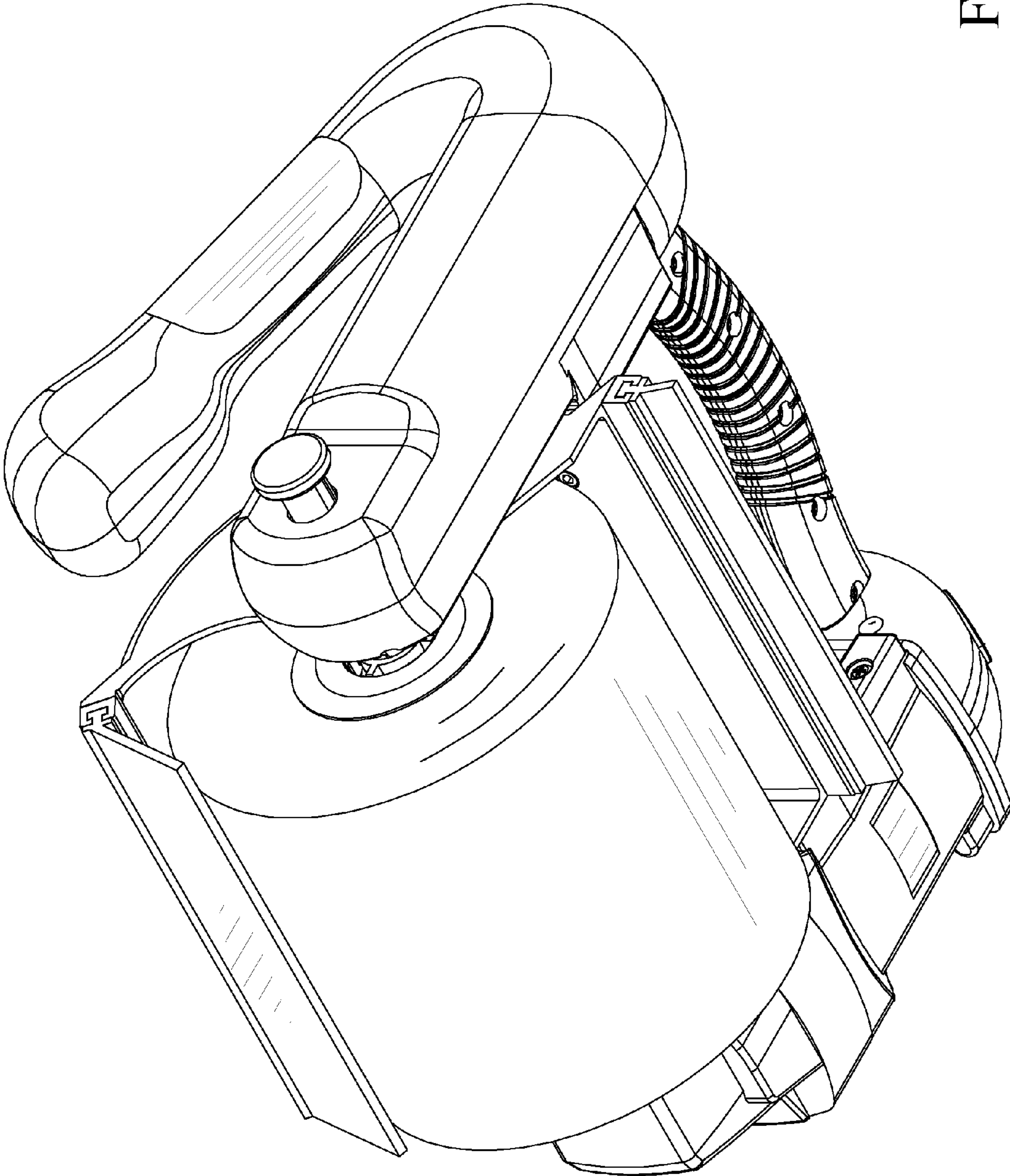


Fig. 5

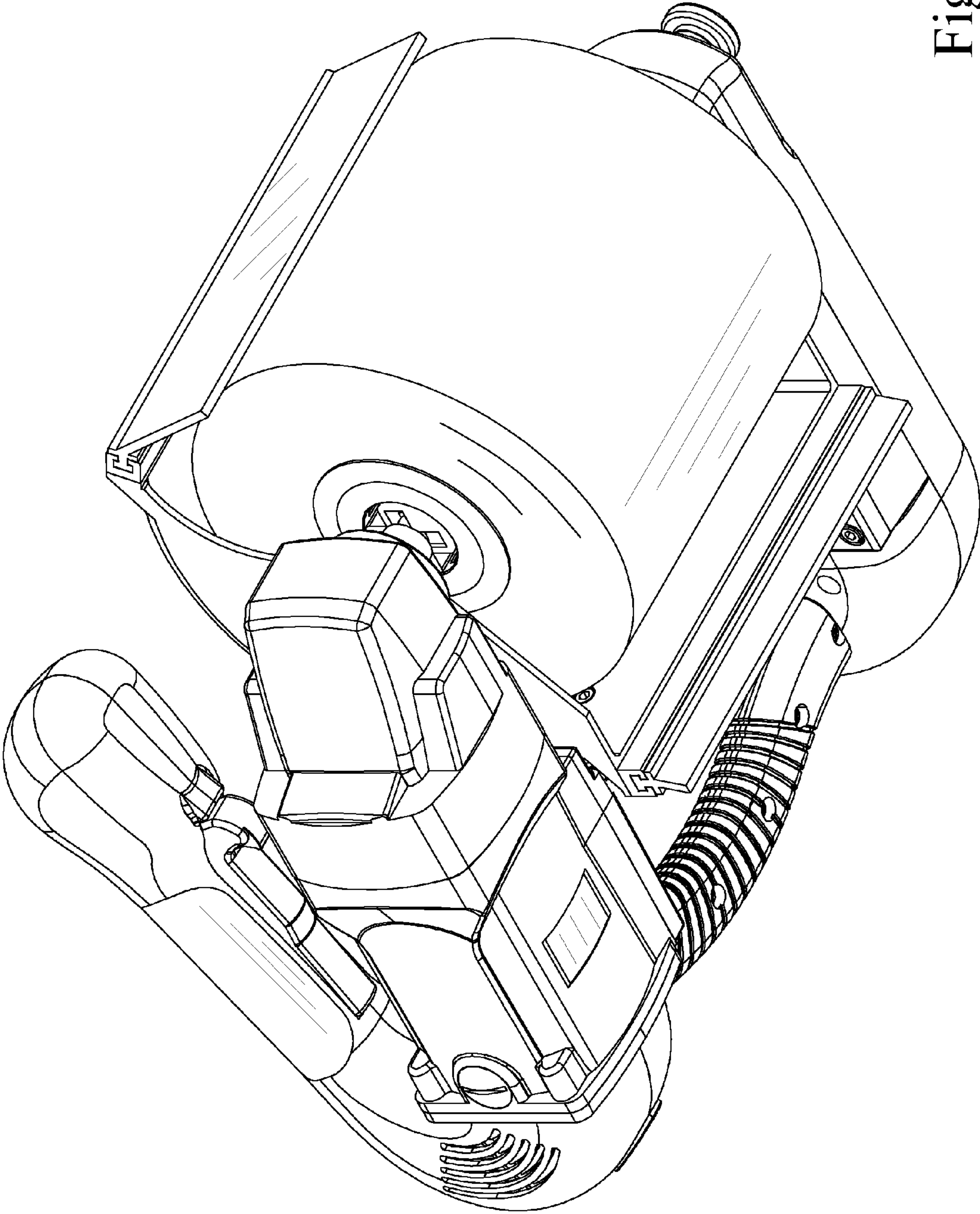


Fig. 6

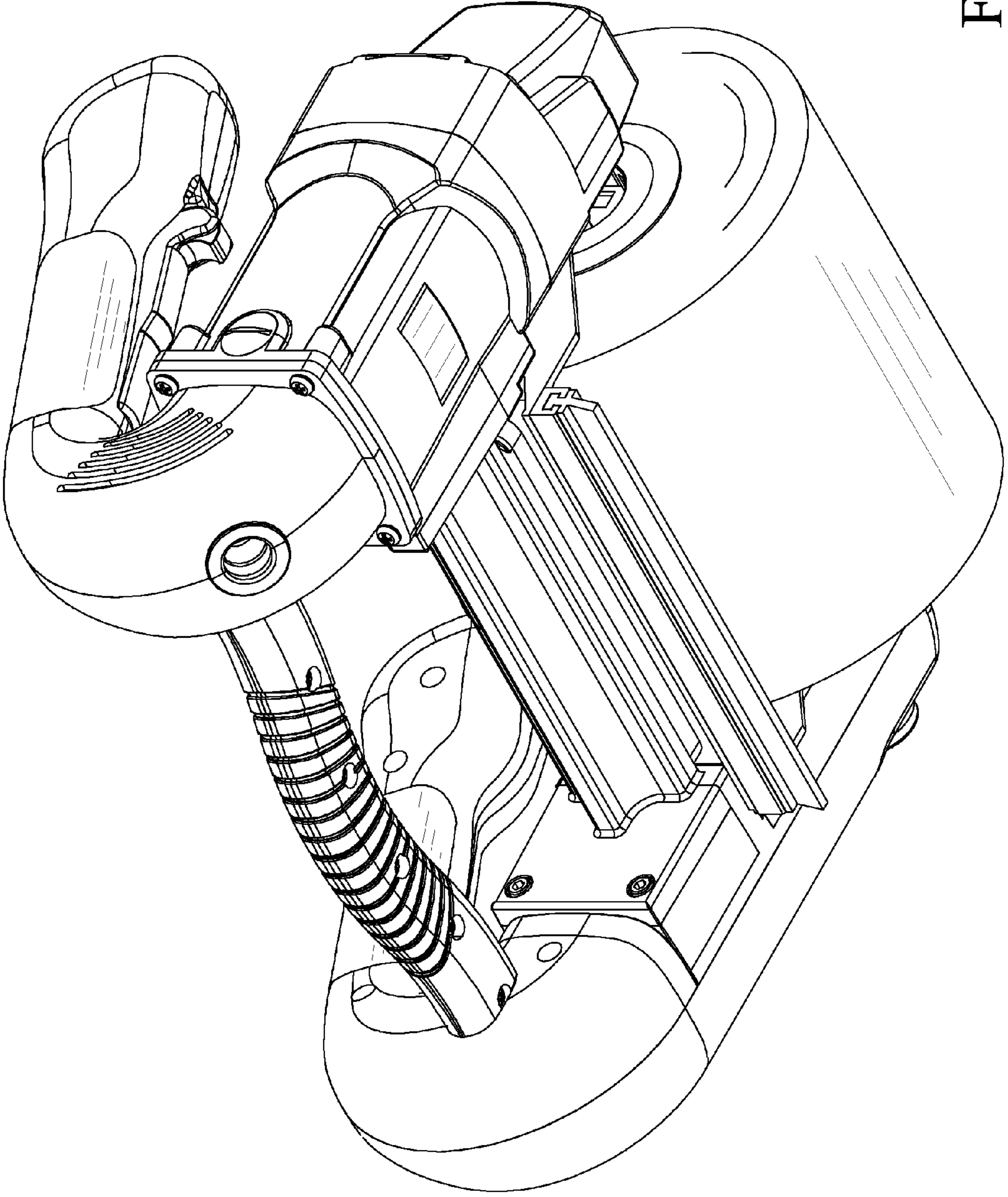


Fig. 7

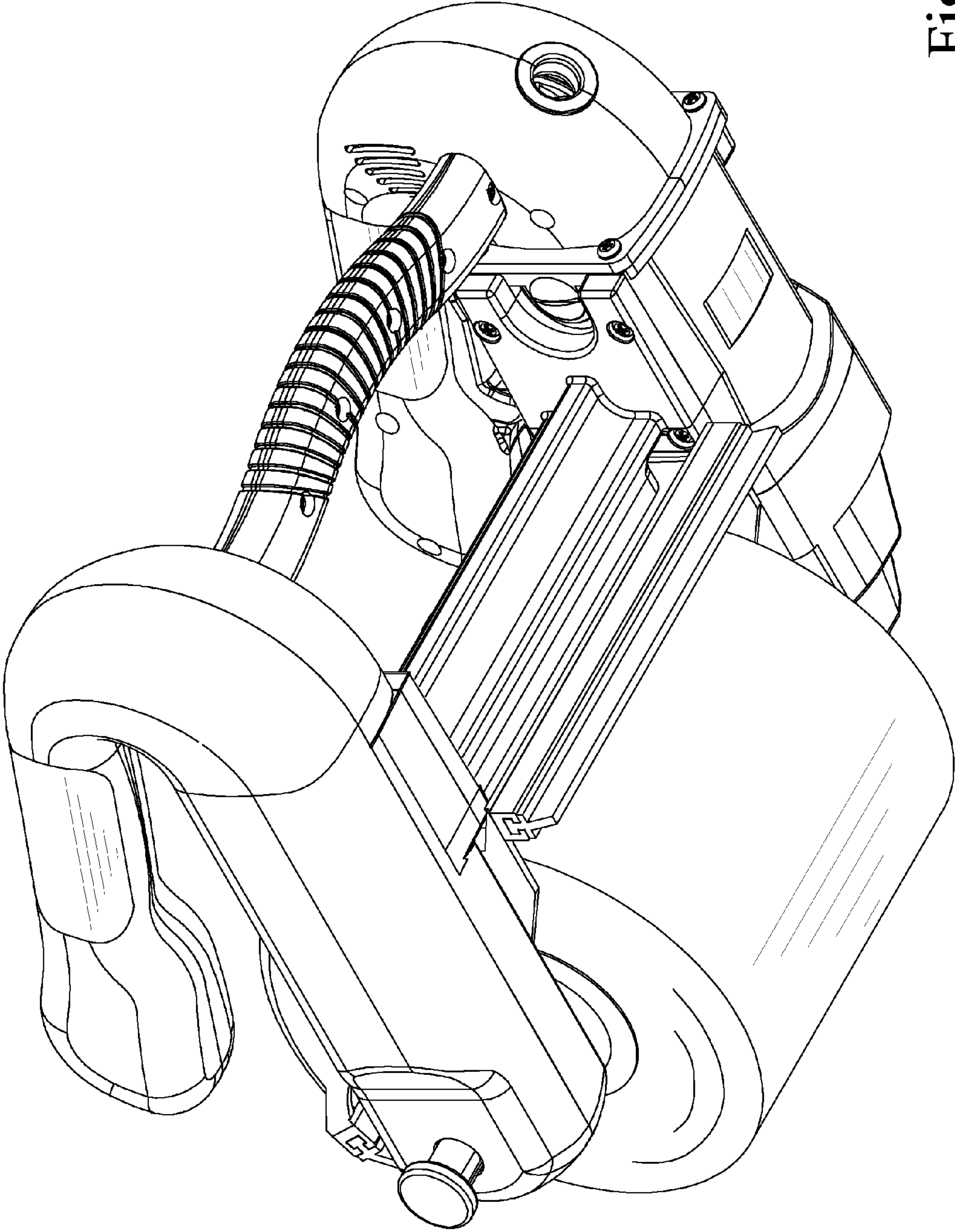


Fig. 8

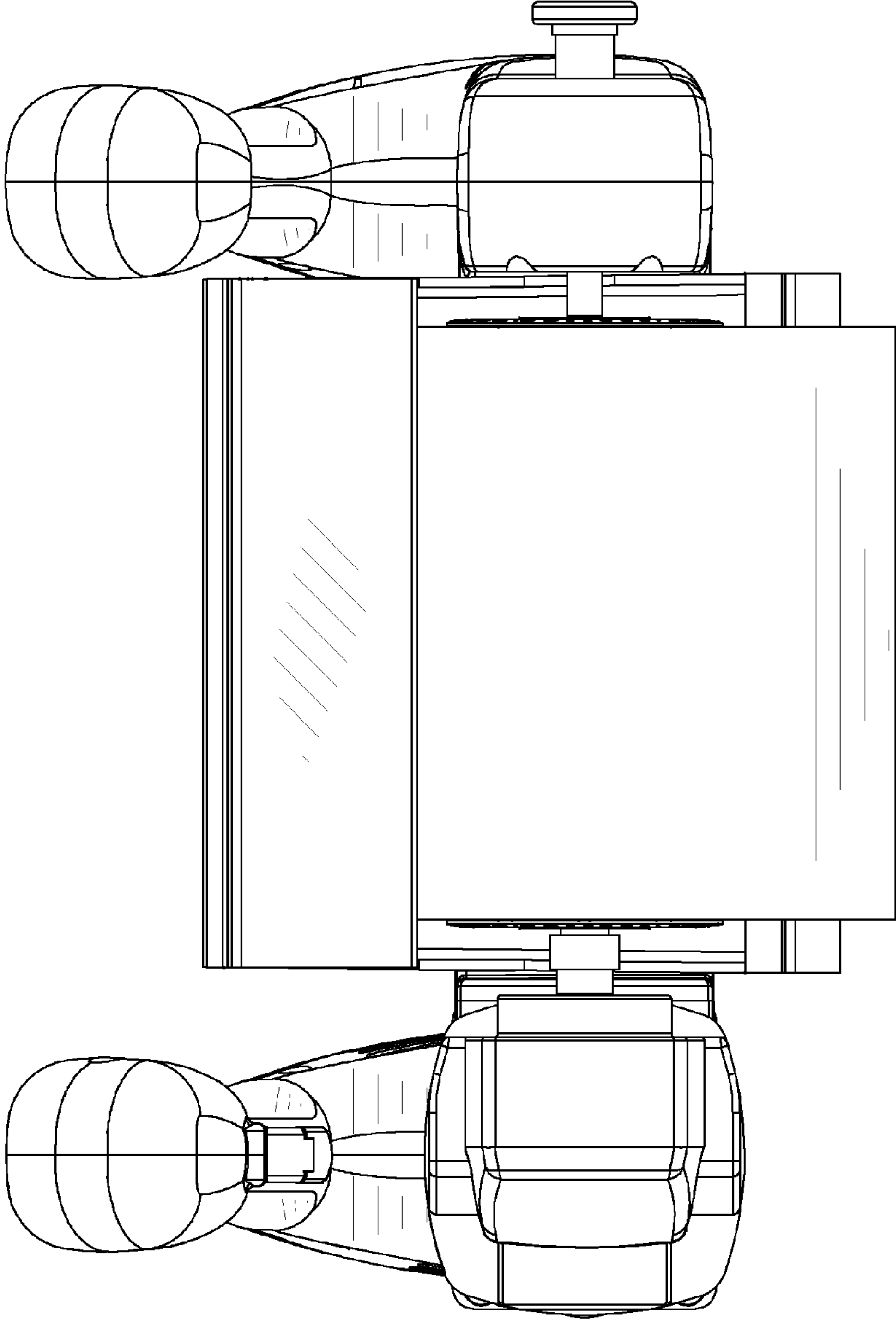


Fig. 9

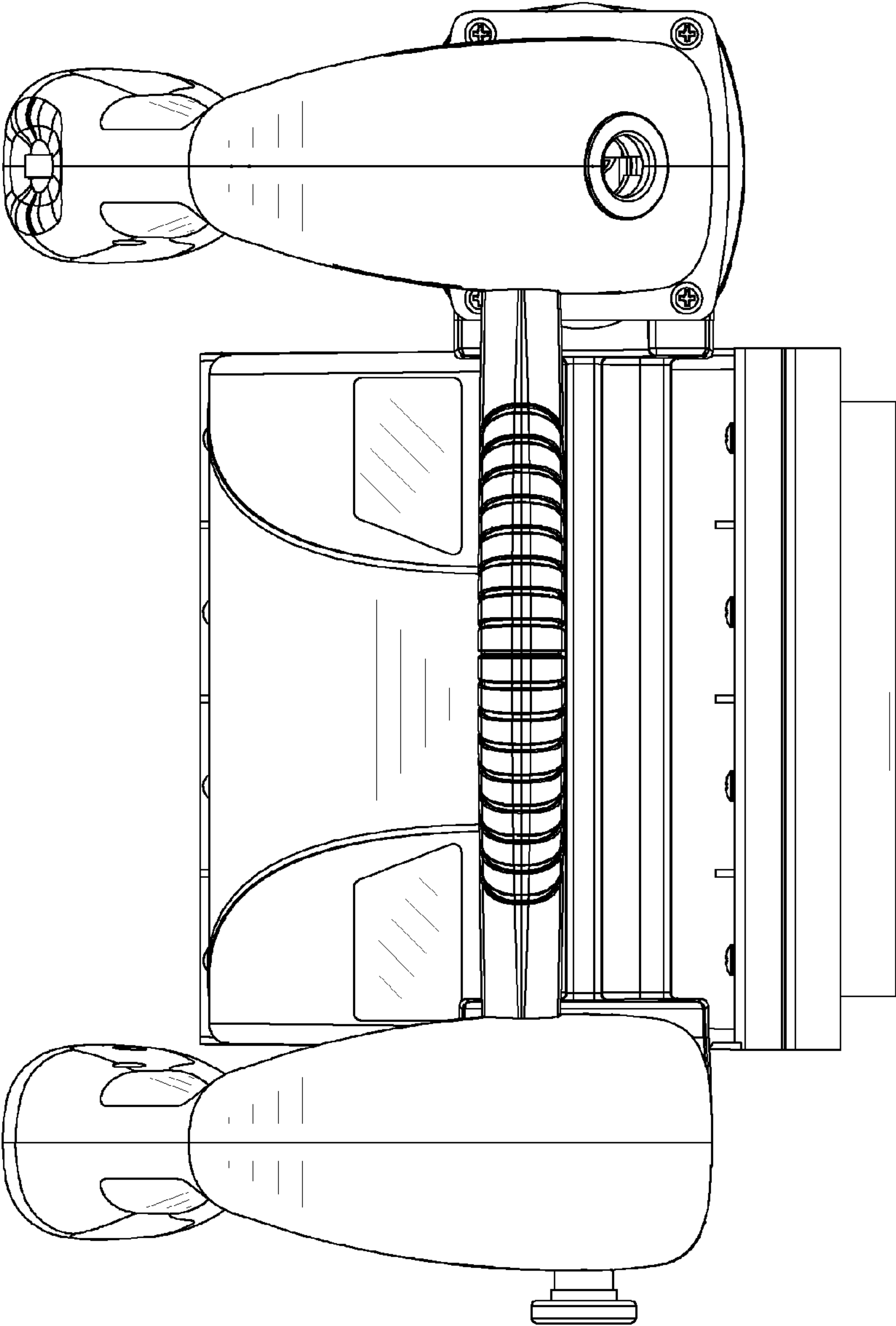


Fig. 10

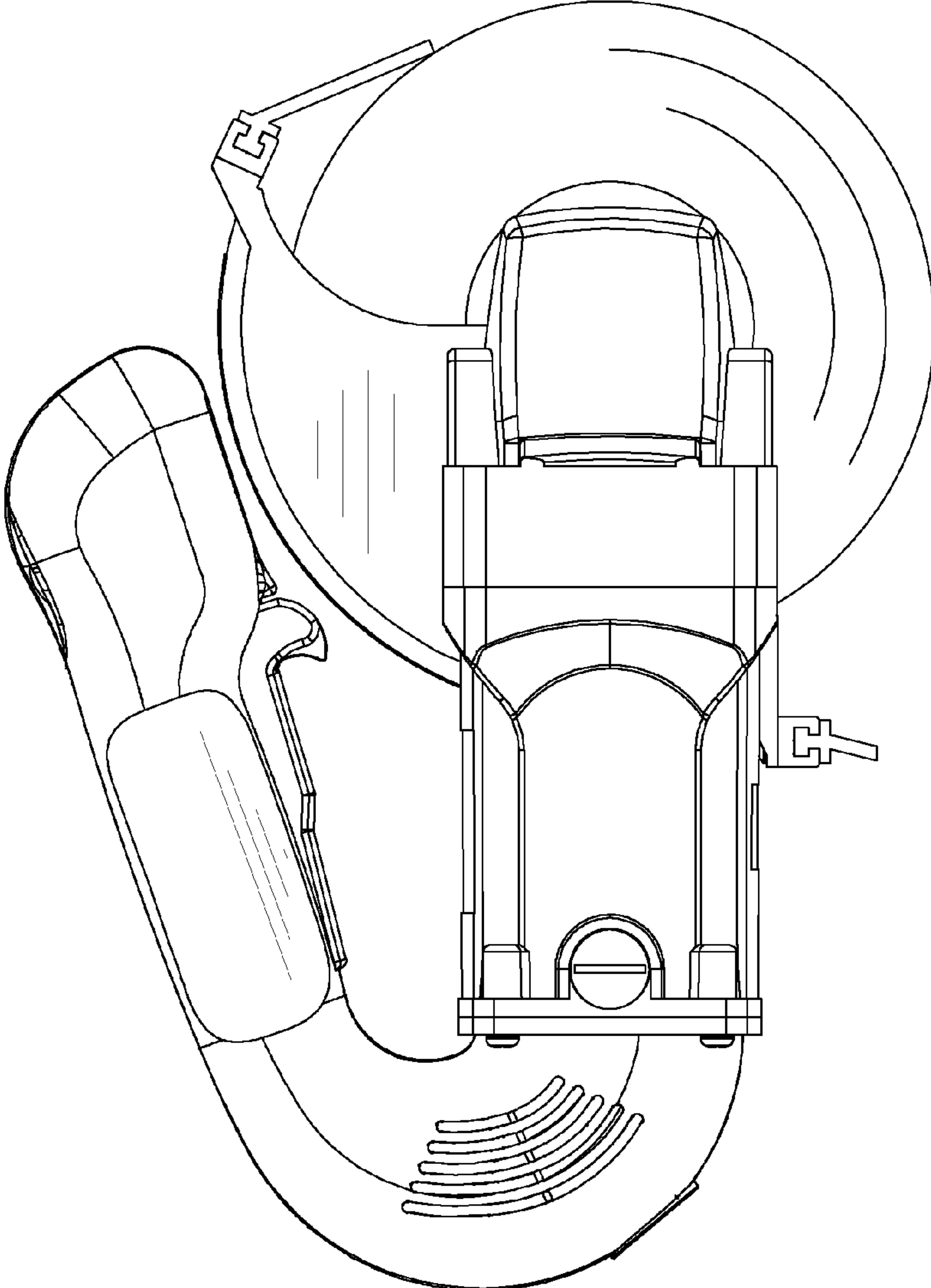


Fig. 11

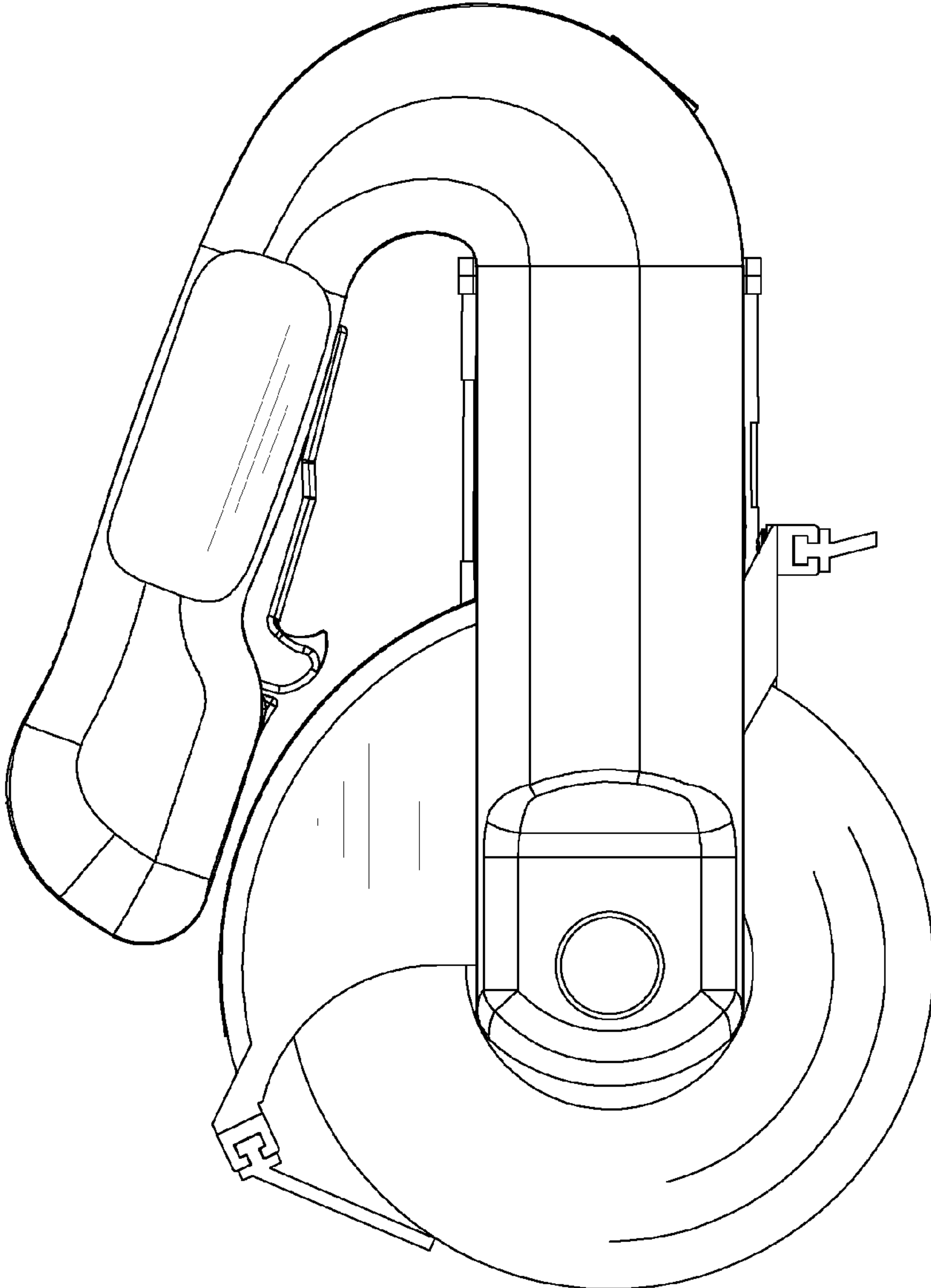


Fig. 12

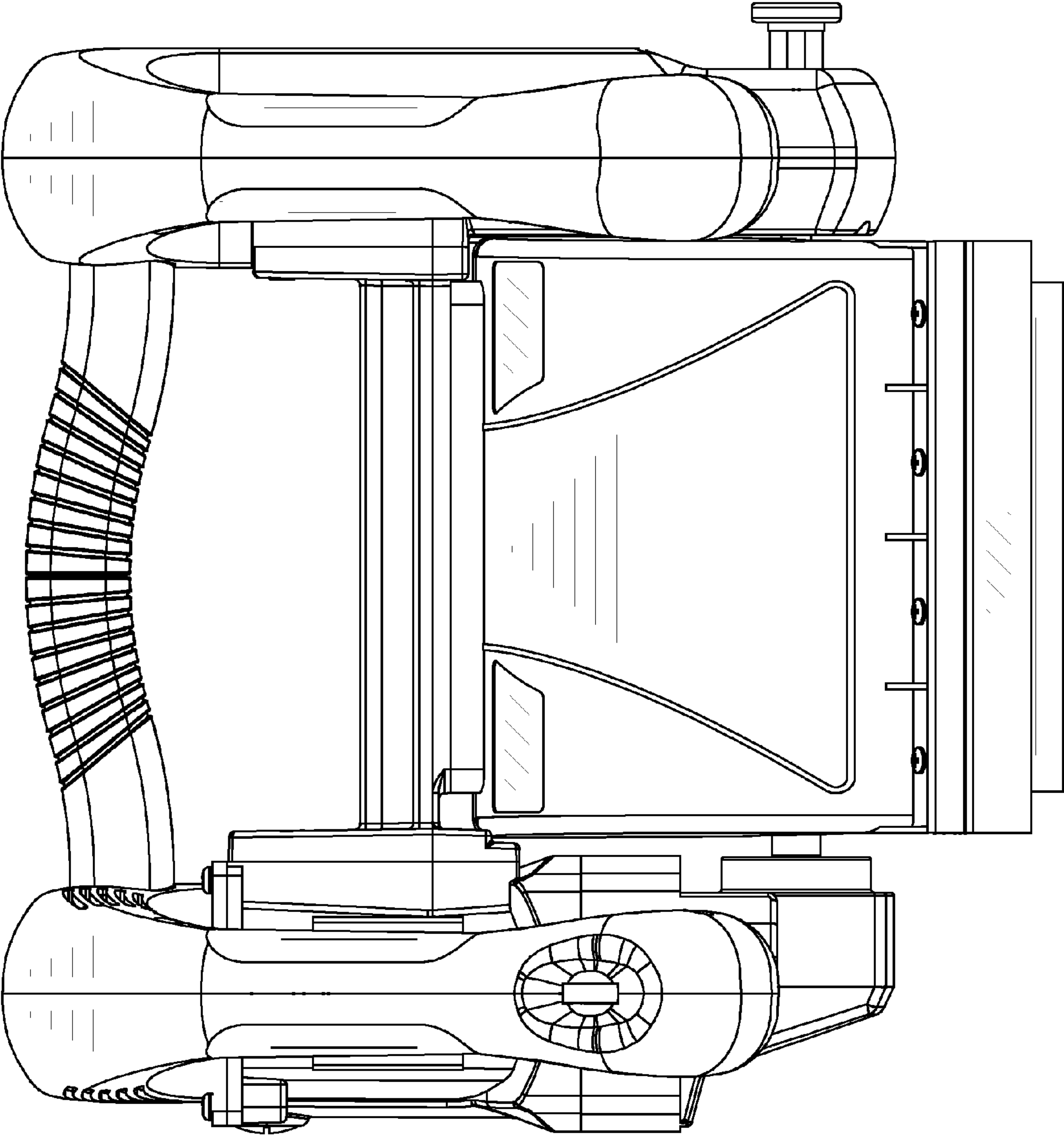


Fig. 13

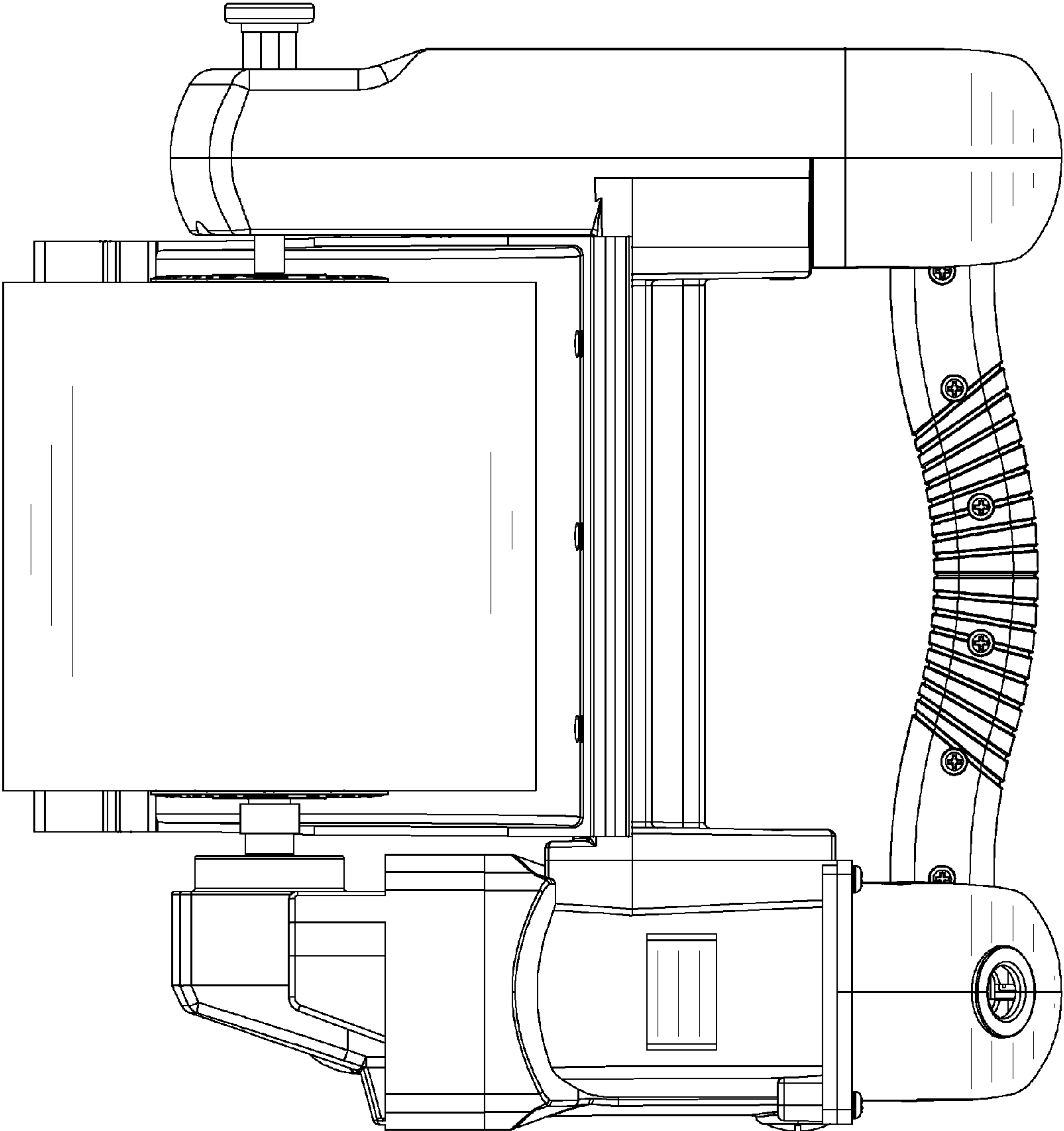


Fig. 14