



US00D637368S

(12) **United States Design Patent**  
**Willinger et al.**

(10) **Patent No.:** **US D637,368 S**

(45) **Date of Patent:** **\*\* May 3, 2011**

(54) **BIRD TOY**

(75) Inventors: **Jonathan Willinger**, Tenefly, NJ (US);  
**Peter Ragonetti**, Brooklyn, NY (US)

(73) Assignee: **J. W. Pet Company, Inc.**, Teterboro, NJ  
(US)

(\*\*) Term: **14 Years**

(21) Appl. No.: **29/377,567**

(22) Filed: **Oct. 22, 2010**

**Related U.S. Application Data**

(63) Continuation of application No. 29/356,921, filed on  
Mar. 4, 2010, now Pat. No. Des. 627,934, which is a  
continuation of application No. 29/318,148, filed on  
May 14, 2008, now abandoned.

(51) **LOC (9) Cl.** ..... **30-99**

(52) **U.S. Cl.** ..... **D30/160; D30/119**

(58) **Field of Classification Search** ..... D30/119,  
D30/160; 119/702, 707-711; D21/406,  
D21/408, 467; D24/194, 2

See application file for complete search history.

(56) **References Cited**

**U.S. PATENT DOCUMENTS**

2,211,102	A *	8/1940	Davis	.....	D21/408
2,817,184	A *	12/1957	Inouye	.....	446/489
4,052,982	A	10/1977	Ozeryansky		
D277,016	S	1/1985	Paczko		
4,655,723	A *	4/1987	Marason et al.	.....	446/241
4,655,823	A	4/1987	Shapiro		
D291,341	S	8/1987	Keating et al.		
D309,586	S	7/1990	Ruscitti		
D311,836	S	11/1990	Dala et al.		
D329,260	S *	9/1992	Williams	.....	D21/406
D381,593	S	7/1997	Dreyfus et al.		

D386,105	S	11/1997	Kornmann		
5,695,520	A	12/1997	Bruckner et al.		
5,848,981	A	12/1998	Herbranson		
D403,714	S *	1/1999	Rylands	.....	D21/406
D410,741	S	6/1999	Chaney		
D425,267	S	5/2000	Kengie		
D437,799	S	2/2001	Baumer		
D470,277	S	2/2003	Tu		
D472,180	S *	3/2003	Lee	.....	D30/160
D478,170	S	8/2003	Catlett		
D497,566	S	10/2004	Pucci		
6,814,645	B2	11/2004	Kuk		
D523,593	S	6/2006	Wang		
D545,235	S	6/2007	Carter-Smith et al.		
D546,508	S	7/2007	Robertson		
D576,908	S	9/2008	Gruenke		
D586,511	S	2/2009	Willinger		
D599,506	S	9/2009	Willinger		
D612,552	S *	3/2010	Matz	.....	D30/160

\* cited by examiner

*Primary Examiner* — Cathy Anne MacCormac

(74) *Attorney, Agent, or Firm* — Katten Muchin Rosenman  
LLP

(57) **CLAIM**

The ornamental design for bird toy, as shown and described.

**DESCRIPTION**

FIG. 1 is a perspective view of a first embodiment of a bird  
toy;

FIG. 2 is a rear view thereof;

FIG. 3 is a front view thereof;

FIG. 4 is a right side view thereof;

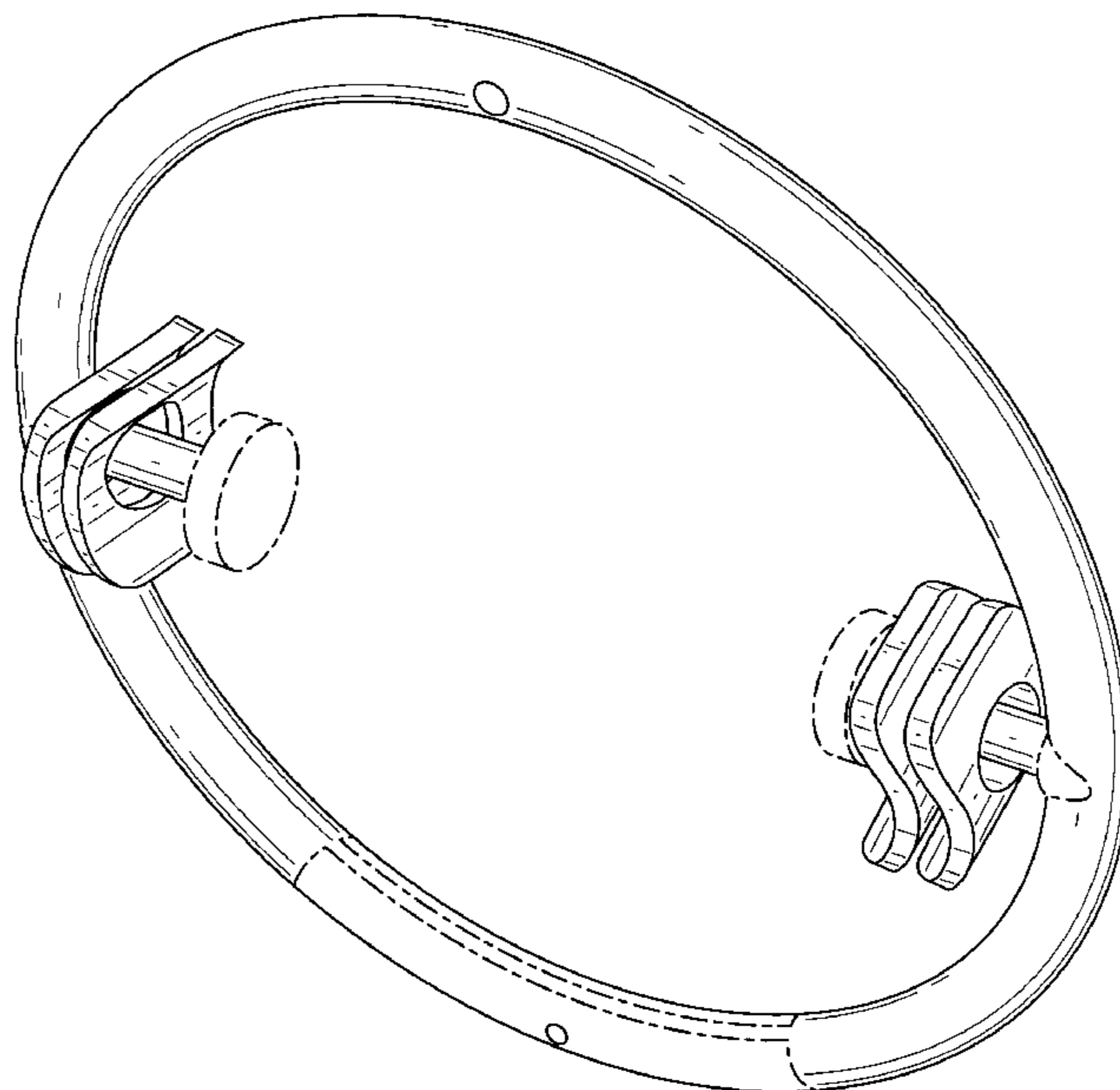
FIG. 5 is a left side view thereof;

FIG. 6 is a top view thereof; and,

FIG. 7 is a bottom view thereof.

The portions of the designs that are shown in broken lines do  
not form part of the claimed design.

**1 Claim, 5 Drawing Sheets**



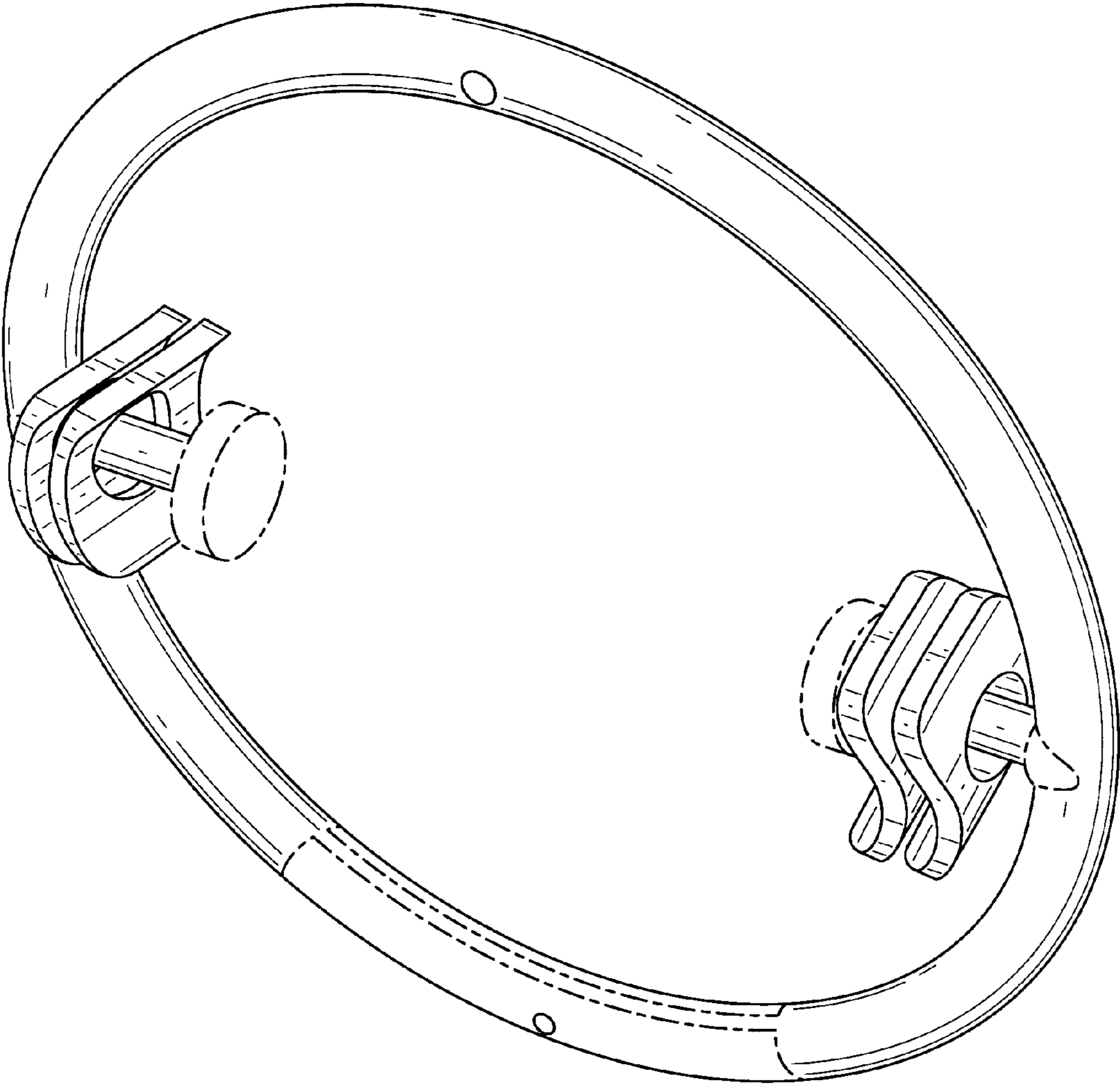


FIG. 1

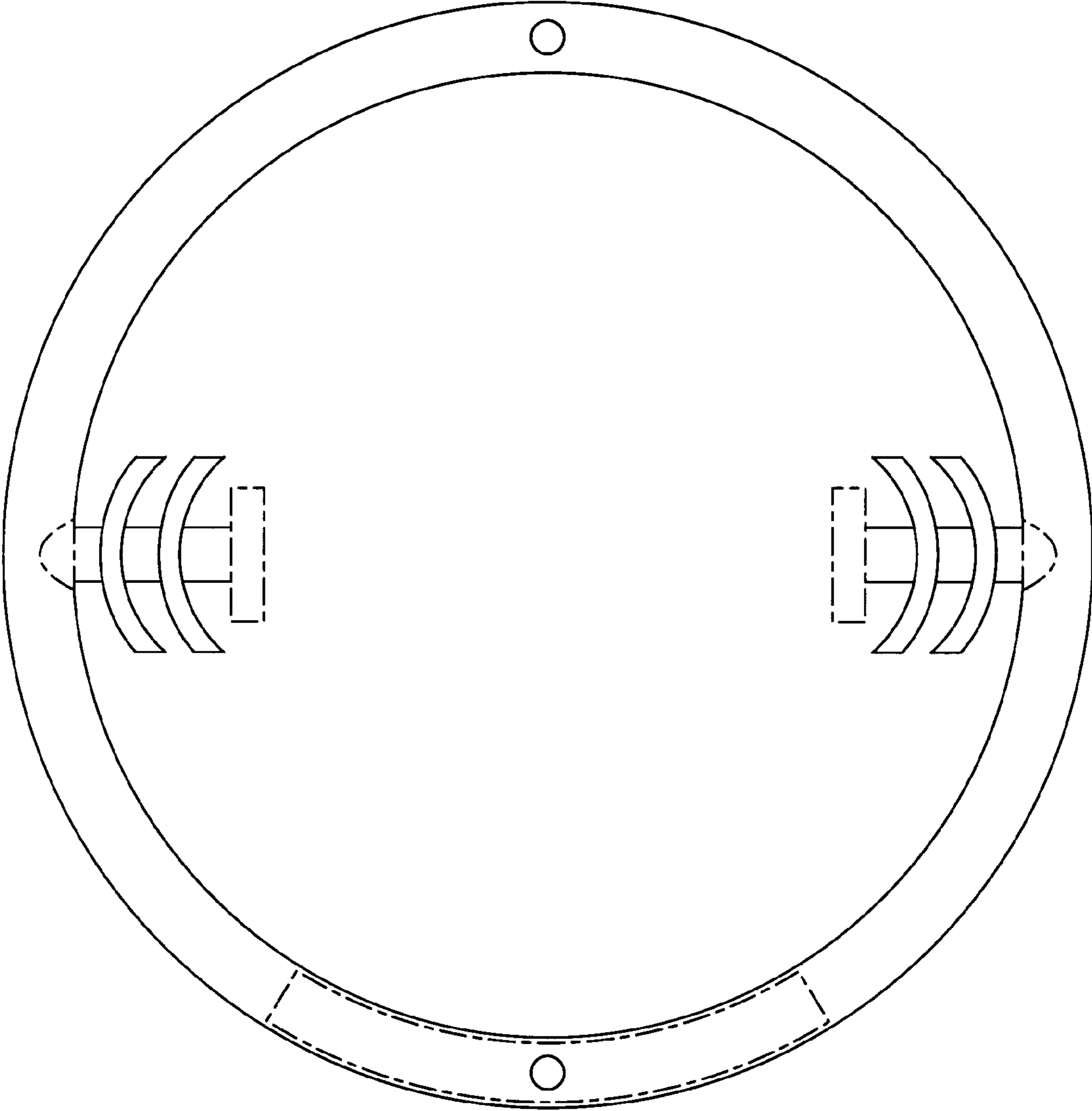


FIG. 2

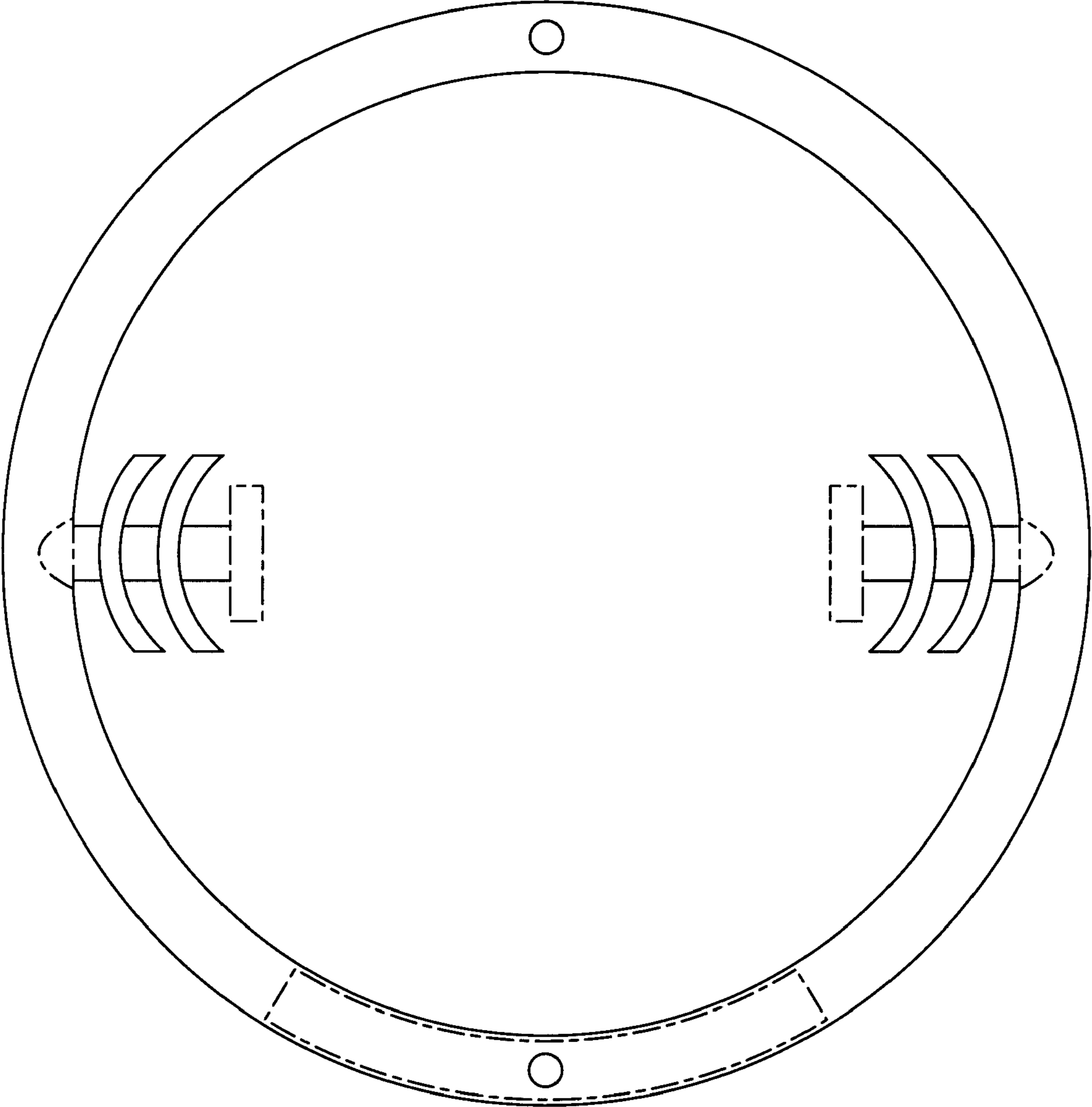


FIG. 3

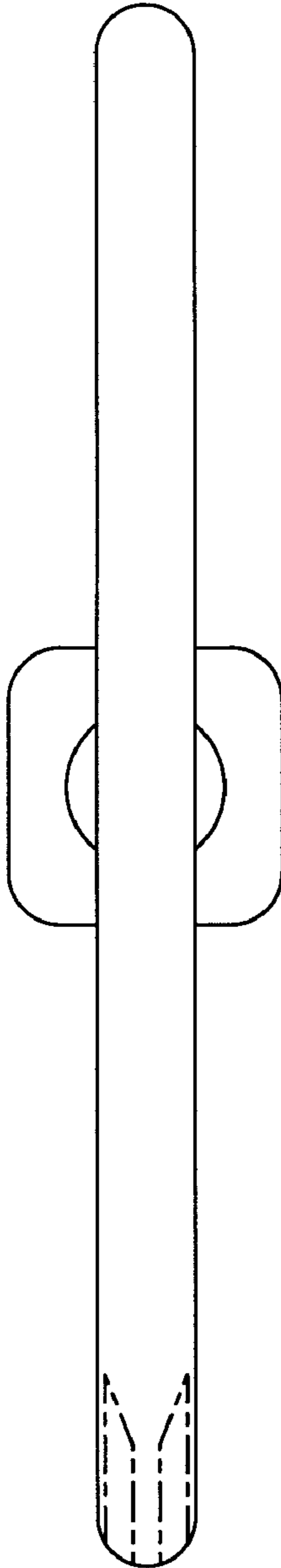


FIG. 4

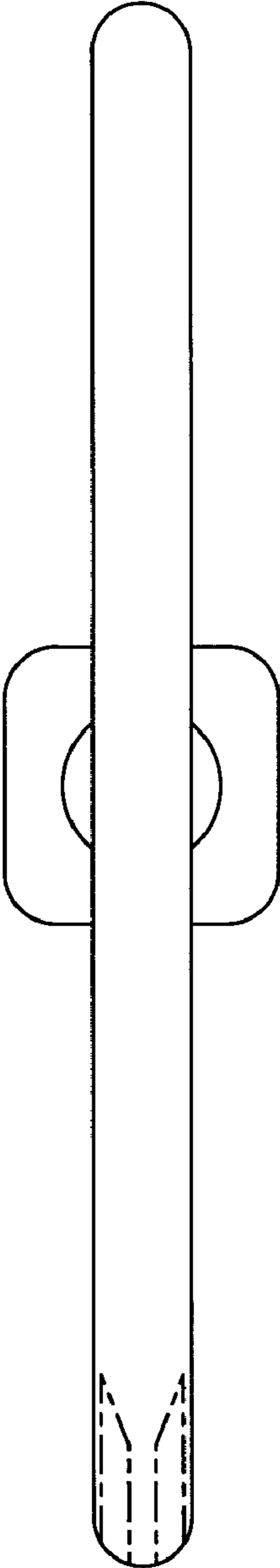


FIG. 5

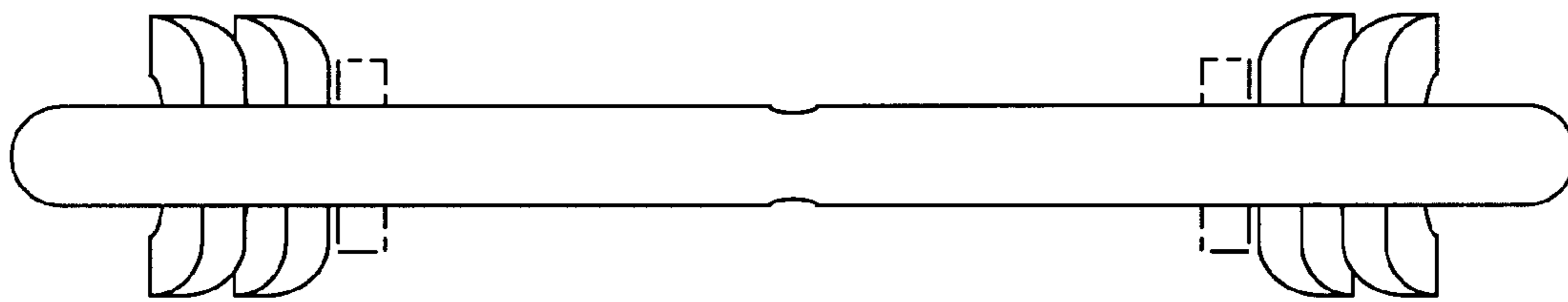


FIG. 6

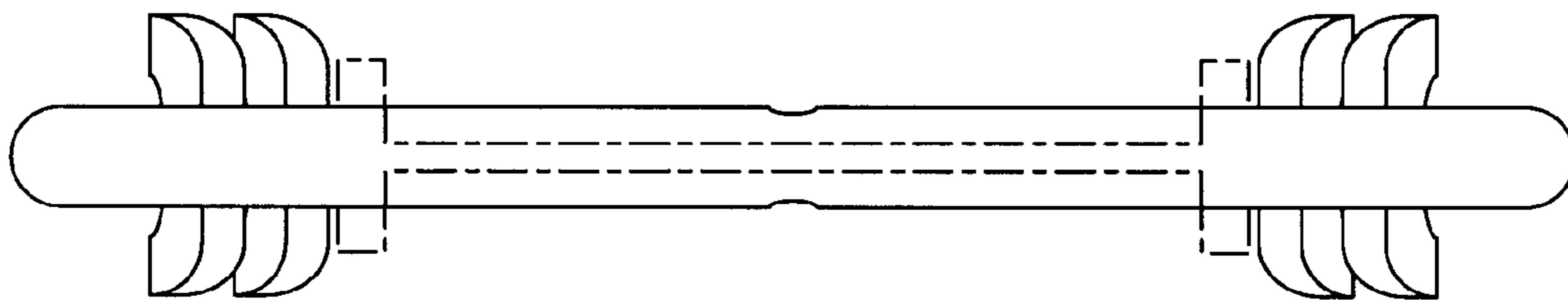


FIG. 7