

US00D637365S

(12) **United States Design Patent**  
**Li et al.**

(10) **Patent No.:** **US D637,365 S**  
(45) **Date of Patent:** **\*\* May 3, 2011**

- (54) **ANTI-BARK COLLAR FOR DOG**
- (76) Inventors: **Zaiqiang Li**, Shenzhen (CN); **Stephen Greenberg**, Las Vegas, NV (US)
- (\*\*) Term: **14 Years**
- (21) Appl. No.: **29/351,197**
- (22) Filed: **Dec. 1, 2009**
- (51) **LOC (9) Cl.** ..... **30-08**
- (52) **U.S. Cl.** ..... **D30/155**
- (58) **Field of Classification Search** ..... D30/144,  
D30/152, 151, 199; 119/712, 719-721, 856,  
119/859, 863, 908, 129, 108, 106; D10/104,  
D10/106, 116, 121; 340/573.3, 573.1; D14/432,  
D14/356, 344; D3/215, 228; 40/658; 343/895;  
540/1

See application file for complete search history.

(56) **References Cited**

U.S. PATENT DOCUMENTS

D330,173	S	*	10/1992	Juliana et al.	.....	D10/106
5,161,485	A	*	11/1992	McDade	.....	119/859
D380,692	S	*	7/1997	Heun	.....	D10/104
D400,458	S	*	11/1998	Titus et al.	.....	D10/104
D409,803	S	*	5/1999	Yoka	.....	D30/152
D410,206	S	*	5/1999	Slater	.....	D10/104
D469,029	S	*	1/2003	So	.....	D10/104
D478,830	S	*	8/2003	So	.....	D10/104

D482,979	S	*	12/2003	So	.....	D10/104
6,661,344	B2	*	12/2003	Bowling	.....	340/573.3
6,712,025	B2	*	3/2004	Peterson et al.	.....	119/721
D520,894	S	*	5/2006	Zakharyan	.....	D10/104
D523,998	S	*	6/2006	Nottingham et al.	.....	D30/152
D578,918	S	*	10/2008	Aninye	.....	D10/104
D586,249	S	*	2/2009	Elsemore	.....	D10/104
D587,614	S	*	3/2009	Schwanitz et al.	.....	D10/106
D600,582	S	*	9/2009	Treharne	.....	D10/106
D600,583	S	*	9/2009	Treharne	.....	D10/106
2003/0094145	A1	*	5/2003	Cheng	.....	119/859

\* cited by examiner

*Primary Examiner* — Susan Moon Lee

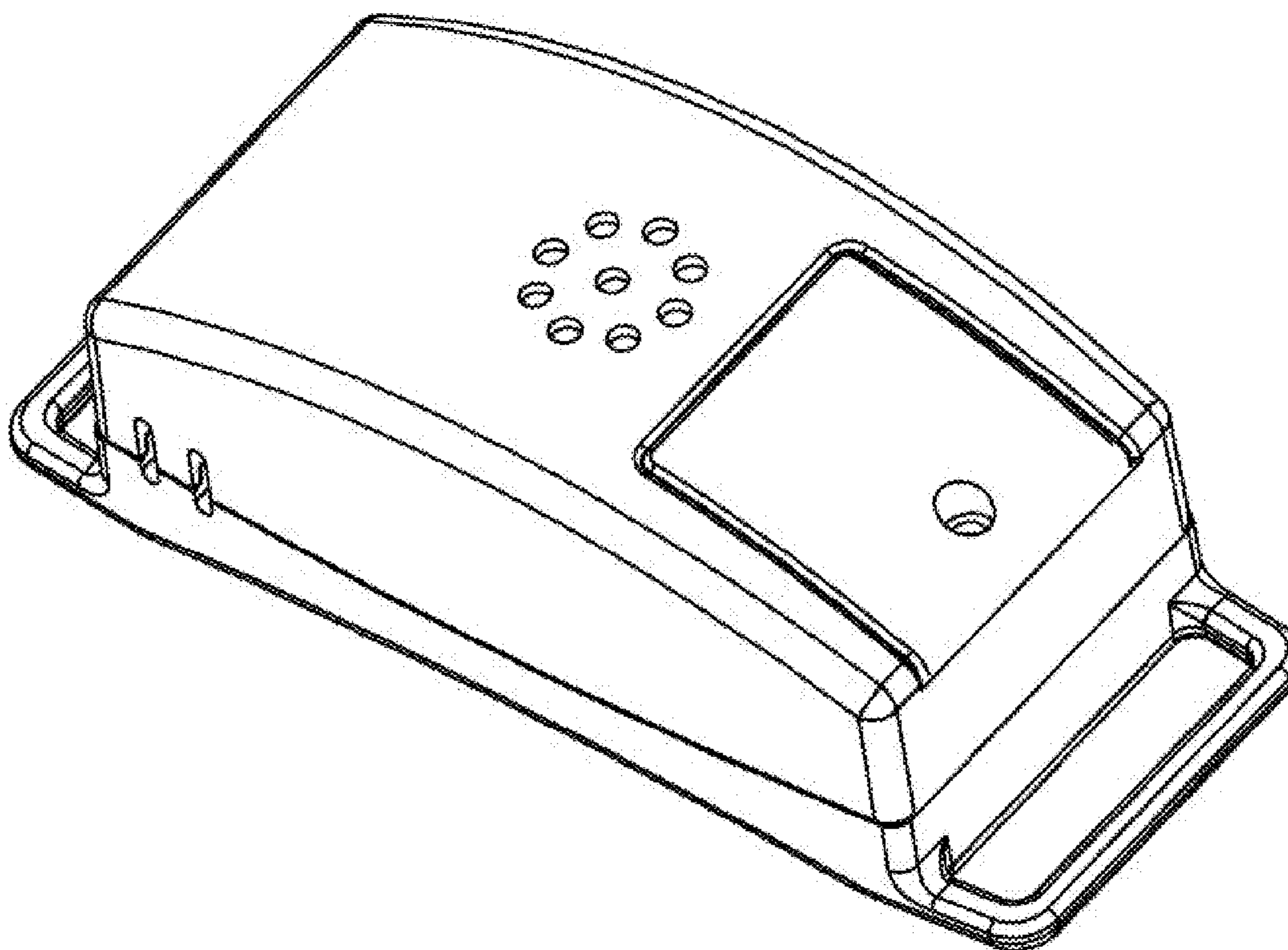
(57) **CLAIM**

The ornamental design for an anti-bark collar for dog, as shown and described.

**DESCRIPTION**

FIG. 1 is a front view of an anti-bark collar for dog;  
FIG. 2 is a back view of the anti-bark collar for dog;  
FIG. 3 is a top view of the anti-bark collar for dog;  
FIG. 4 is a bottom view of the anti-bark collar for dog;  
FIG. 5 is a right view of the anti-bark collar for dog;  
FIG. 6 is a left view of the anti-bark collar for dog; and,  
FIG. 7 is a perspective view of the anti-bark collar for dog.

**1 Claim, 7 Drawing Sheets**



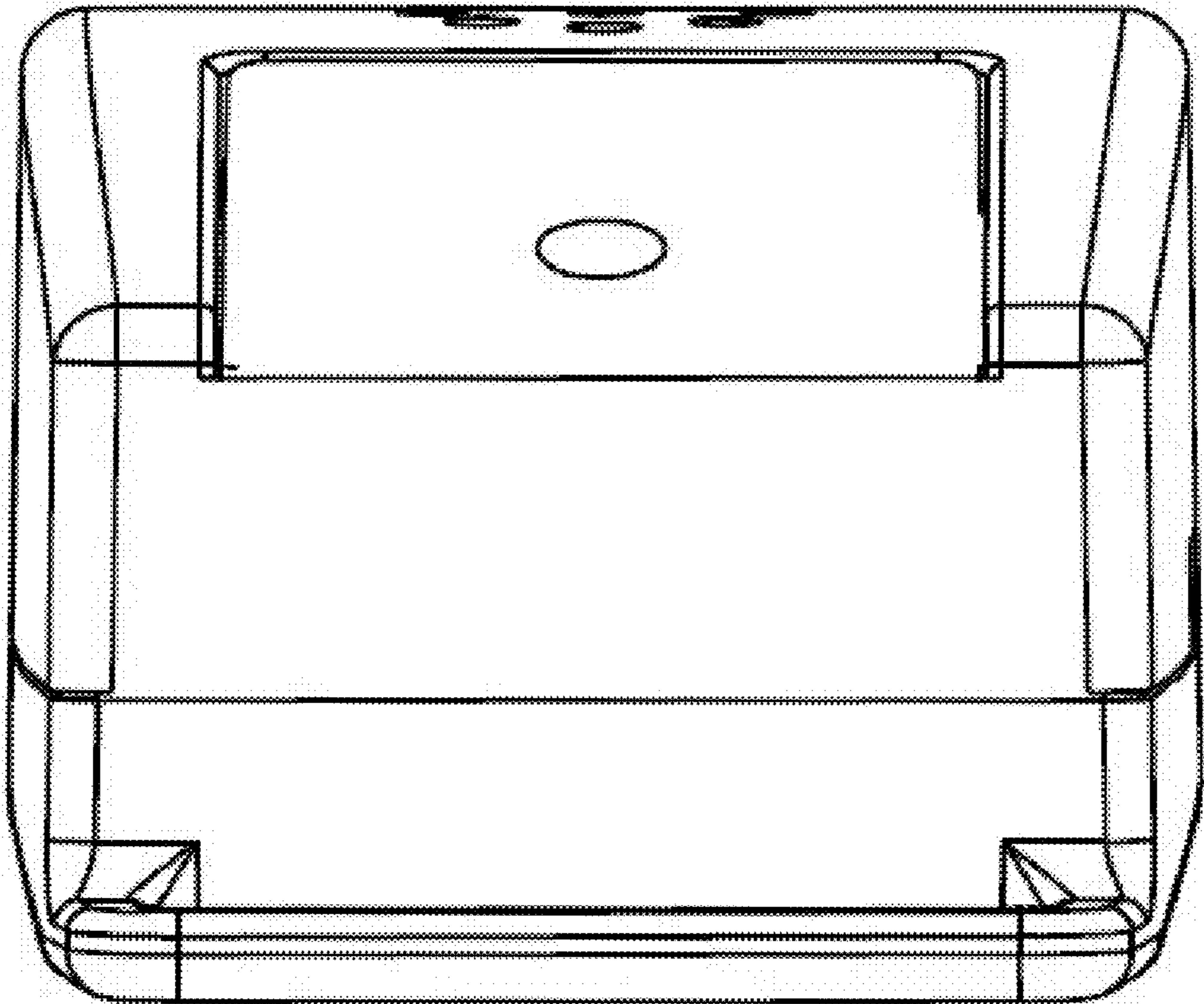


FIG. 1

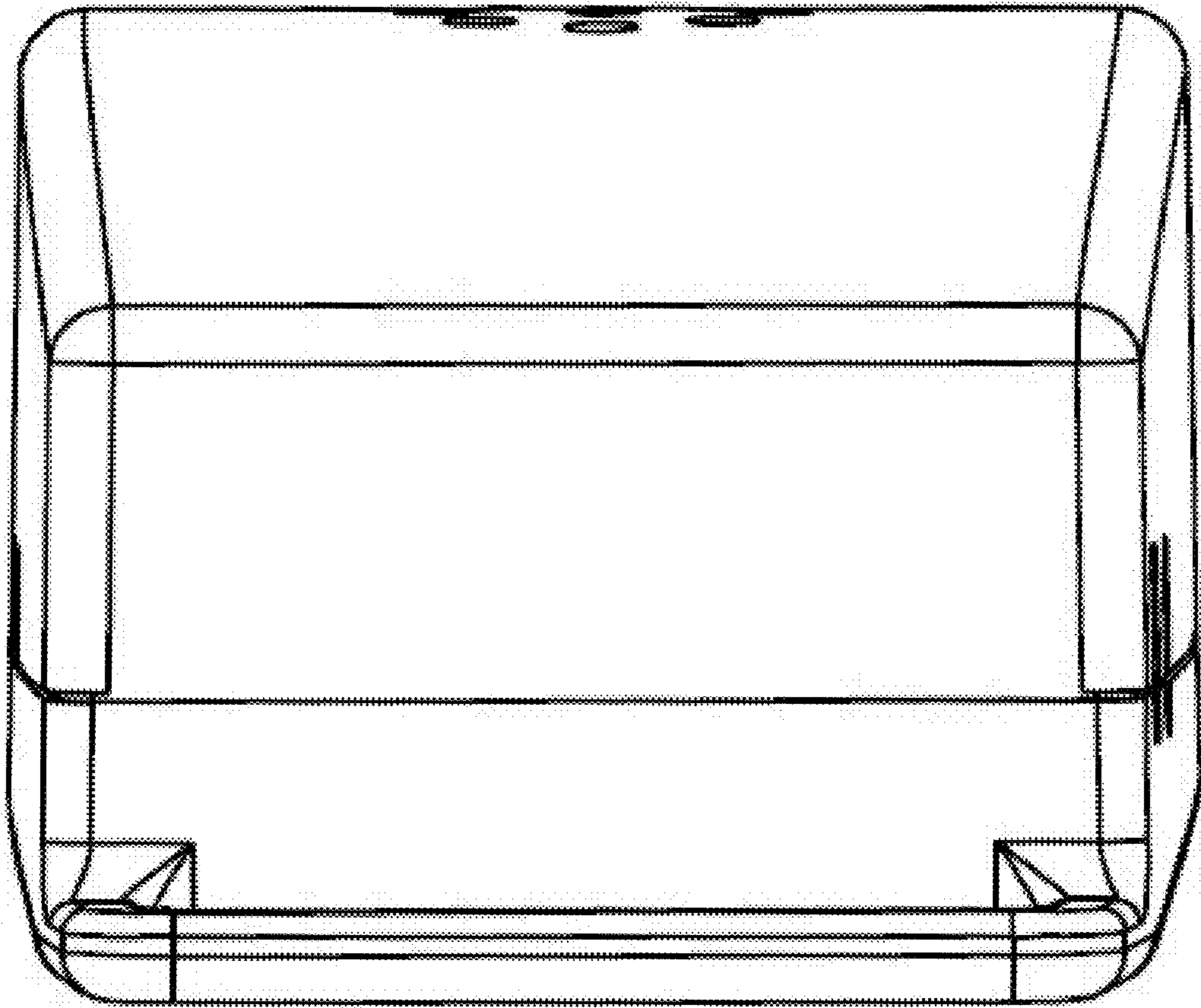


FIG. 2

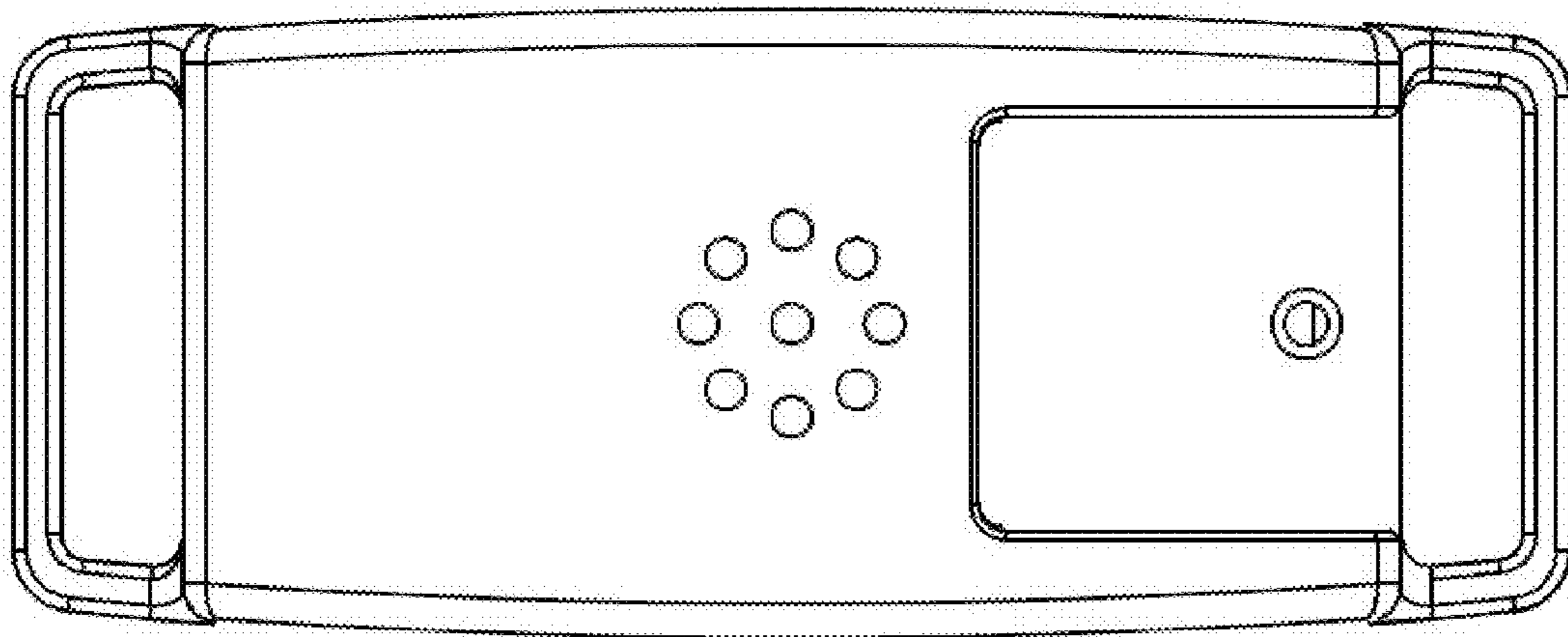


FIG. 3

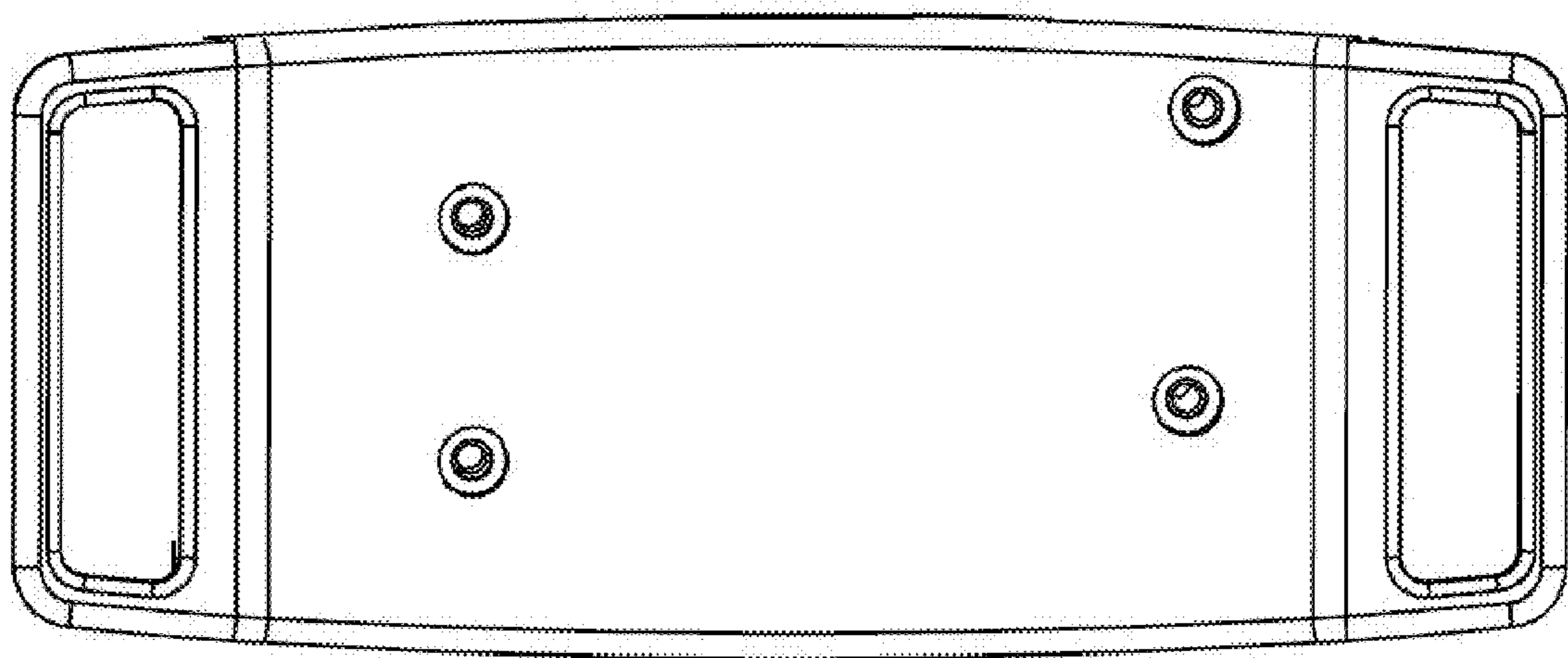


FIG. 4

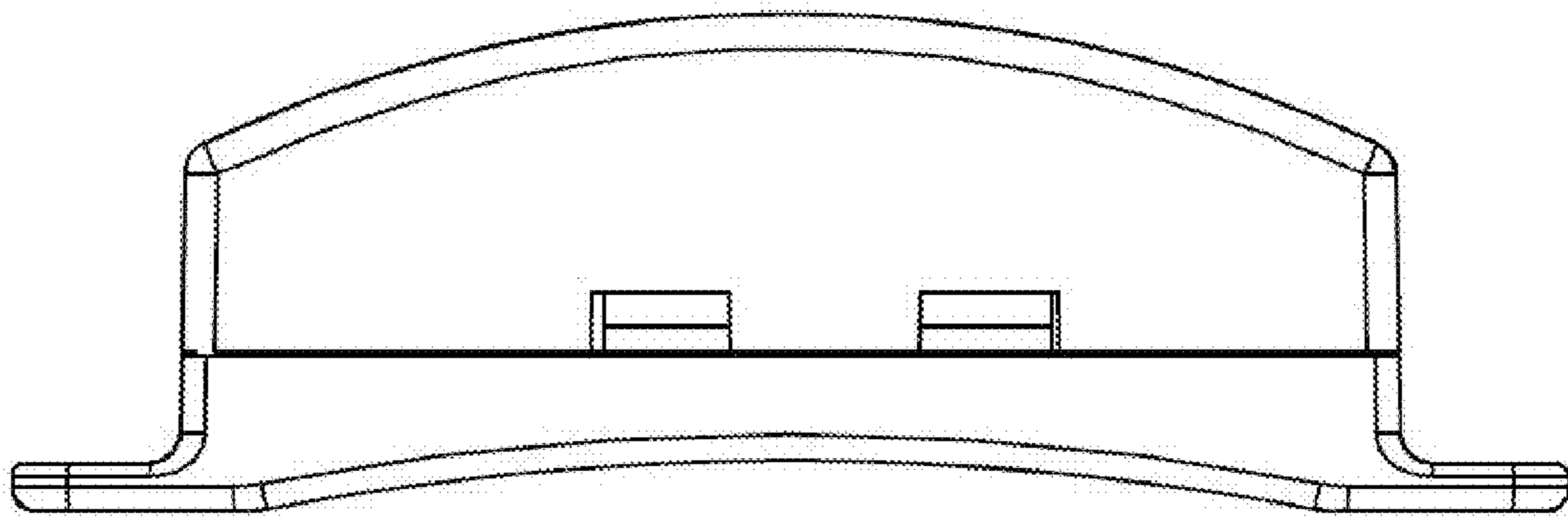


FIG. 5

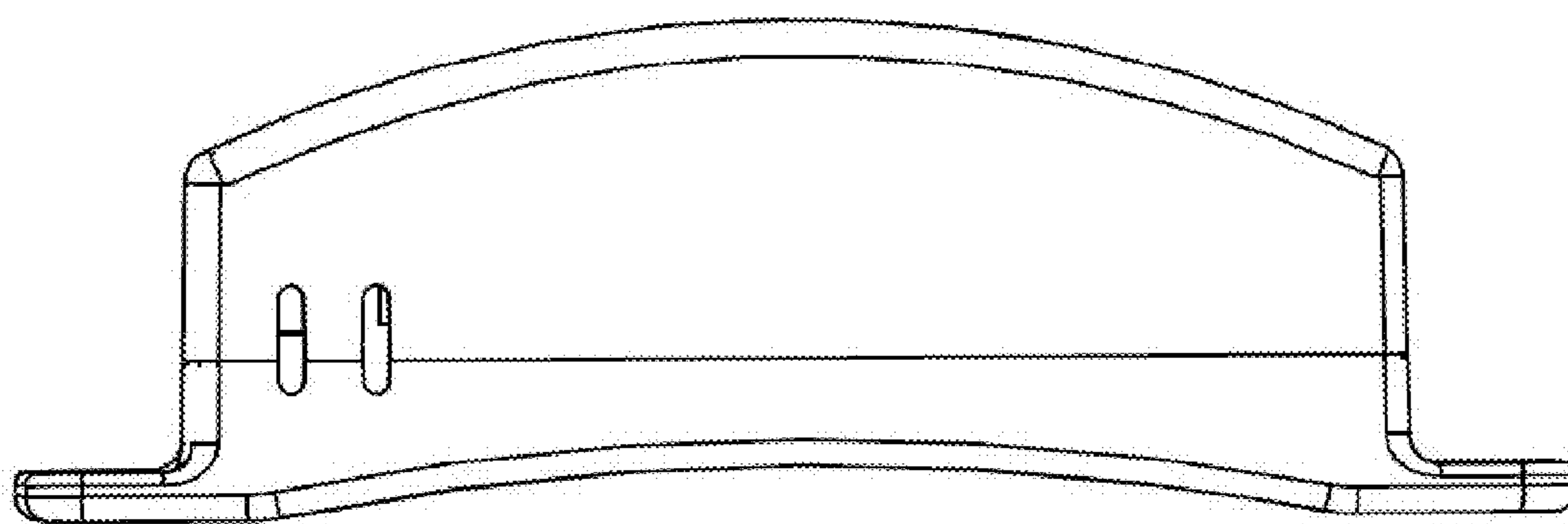


FIG. 6

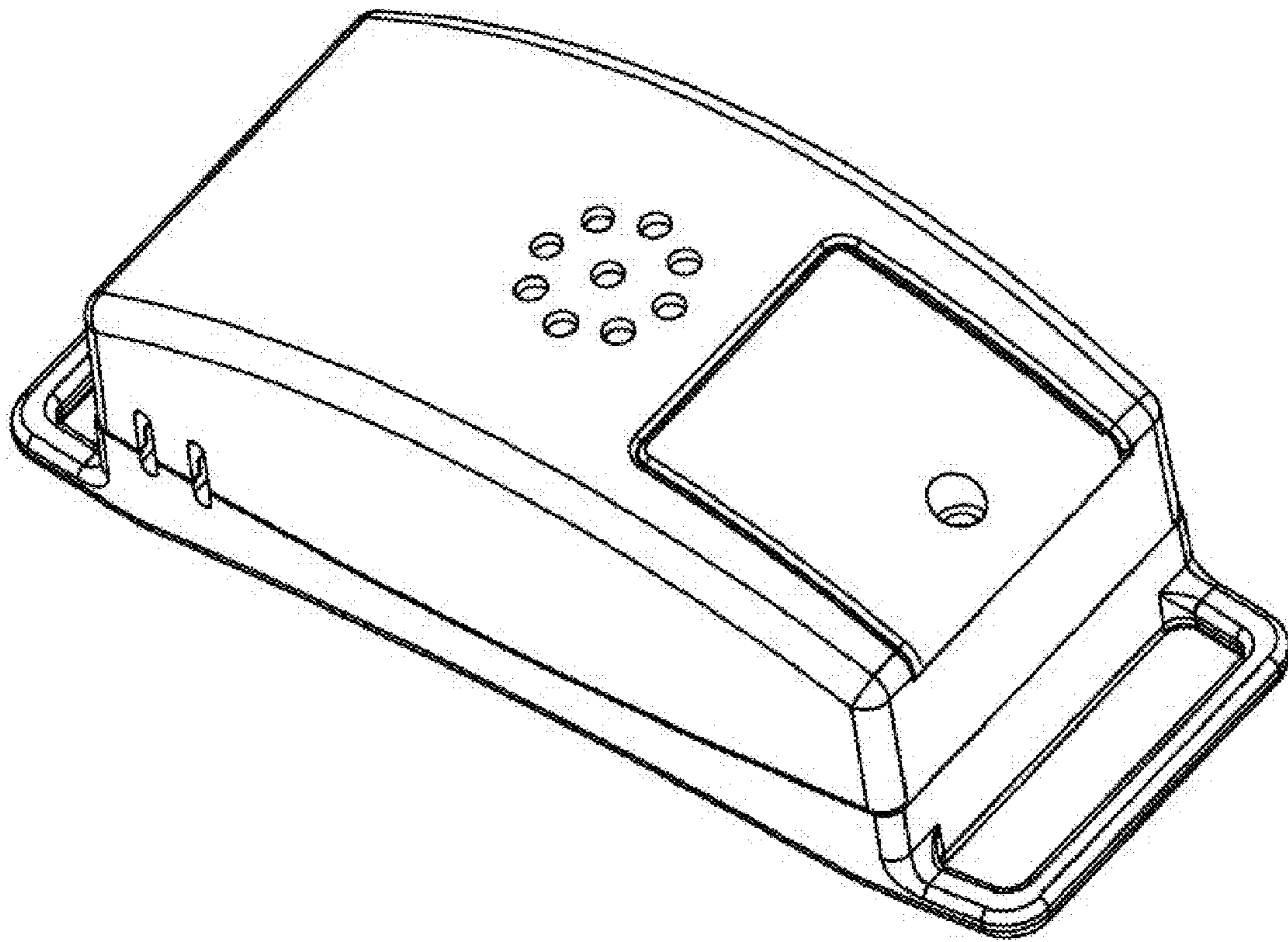


FIG. 7