



US00D637363S

(12) **United States Design Patent**
Clement

(10) **Patent No.:** **US D637,363 S**

(45) **Date of Patent:** **** *May 3, 2011**

(54) **CALF COLLAR**

(75) **Inventor:** **Len Clement, Vaughan (CA)**

(73) **Assignee:** **Phoenix Performance Products, Inc.,
Vaughan, Ontario (CA)**

(**) **Term:** **14 Years**

(21) **Appl. No.:** **29/347,187**

(22) **Filed:** **Oct. 19, 2009**

(51) **LOC (9) Cl.** **30-01**

(52) **U.S. Cl.** **D30/145**

(58) **Field of Classification Search** D30/152,
D30/144, 151, 153, 154, 145; 119/702, 712,
119/792-798, 758, 760, 769, 770, 784, 815,
119/818, 856, 863, 864, 905, 907, 802, 857,
119/865, 725, 771; D21/805, 804; D3/217,
D3/327, 271.2; D29/101.1, 101.5, 101.3;
D24/190; D34/28; 54/71

See application file for complete search history.

4,385,592 A *	5/1983	Goldstein	602/18
4,491,090 A	1/1985	Almeida	
D313,676 S *	1/1991	Indursky et al.	D30/145
5,447,124 A *	9/1995	Pollock et al.	119/850
D363,572 S *	10/1995	Obenchain	D30/145
D364,713 S *	11/1995	Daville	D30/144
5,535,707 A	7/1996	Siddoway	
D373,228 S *	8/1996	Brown	D30/145
5,628,283 A	5/1997	Huegelmeier	
D379,686 S	6/1997	Caditz	
D403,132 S *	12/1998	Campbell-Henderson ..	D30/145
D407,865 S *	4/1999	Rylander	D30/144
D413,186 S *	8/1999	Brown	D30/145
5,996,537 A *	12/1999	Caditz	119/850
D427,734 S *	7/2000	Balzarini	D30/145
6,089,194 A *	7/2000	LaBelle	119/850
6,390,026 B1	5/2002	Sollock	
D459,842 S *	7/2002	Kaplan	D30/145
6,477,988 B2 *	11/2002	Burnett	119/850
6,481,383 B1 *	11/2002	Ross et al.	119/850
6,539,898 B2 *	4/2003	Gatto	119/850

(Continued)

Primary Examiner — Susan Moon Lee

(74) *Attorney, Agent, or Firm* — Birch, Stewart, Kolasch & Birch, LLP

(56) **References Cited**

U.S. PATENT DOCUMENTS

829,904 A *	8/1906	Young	54/79.2
1,437,255 A *	11/1922	Mallinson	54/79.2
1,595,834 A *	8/1926	Griffiths	54/79.1
1,612,945 A *	1/1927	Rieck	54/79.2
2,131,495 A *	9/1938	Allen	54/79.2
D113,489 S *	2/1939	Du Mais	D30/145
2,222,705 A *	11/1940	Conlon	54/79.1
D142,815 S *	11/1945	Ardmore	D30/145
2,850,860 A *	9/1958	Torell et al.	54/79.2
3,052,216 A	9/1962	Blunt et al.	
3,141,443 A *	7/1964	Huey	119/854
3,248,852 A *	5/1966	Schwartz	54/79.1
D228,926 S *	10/1973	Bennett	D30/145
3,766,889 A	10/1973	Mills et al.	
3,834,354 A	9/1974	Kelton	
D250,138 S *	10/1978	Bartolac et al.	D30/145
D265,516 S *	7/1982	Wacker	D30/145
4,345,548 A	8/1982	Krebs et al.	

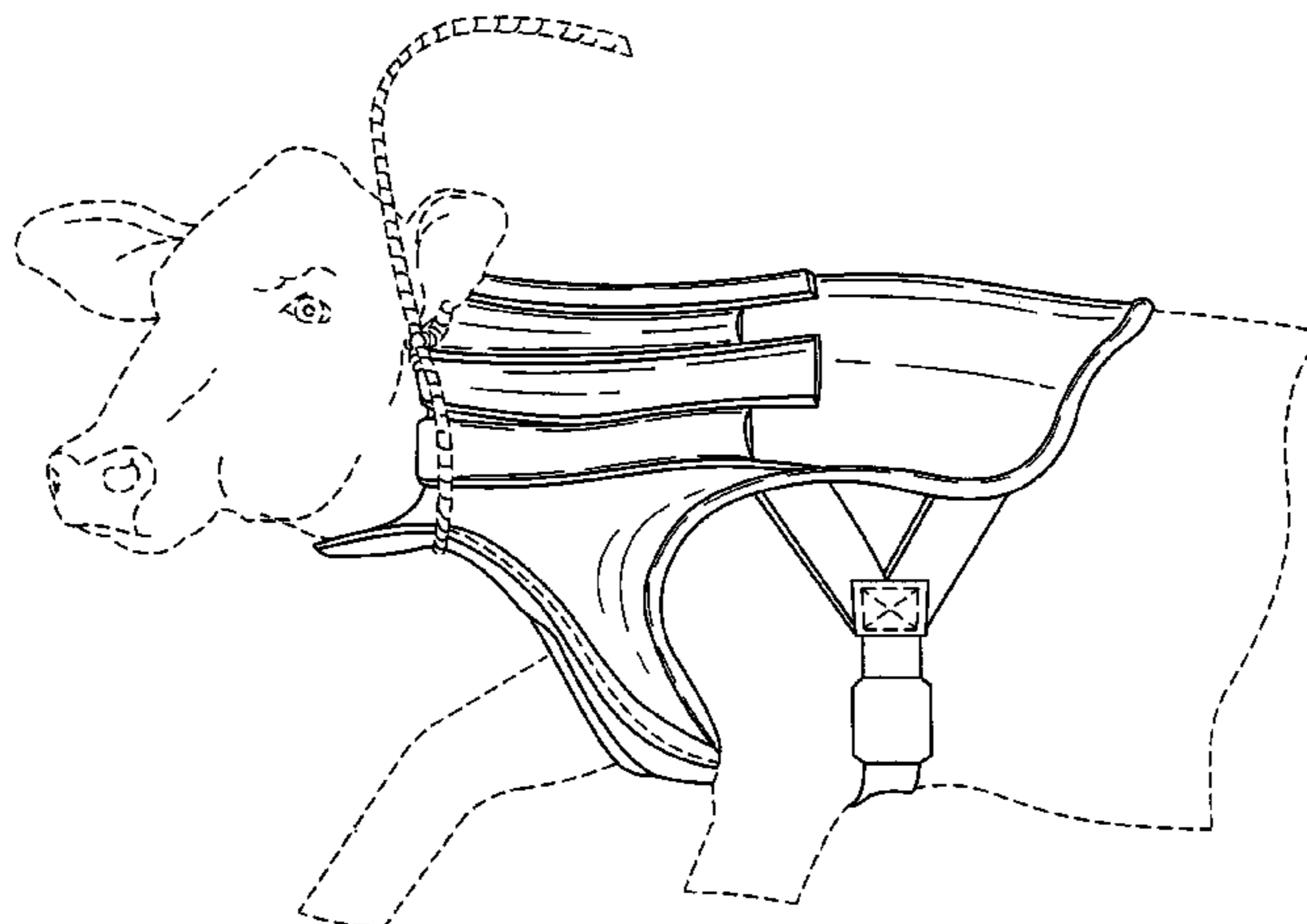
(57) **CLAIM**

The ornamental design for a calf collar, as shown and described.

DESCRIPTION

FIG. 1 is a front perspective view of a calf collar showing my new design;
FIG. 2 is a left rear perspective view in an open condition thereof;
FIG. 3 is a right rear perspective view in an open condition thereof;
FIG. 4 is a top plan view in an open condition thereof; and,
FIG. 5 is a front elevational view thereof.
The broken line elements are not claimed.
The bottom view is not ornamental.

1 Claim, 5 Drawing Sheets



US D637,363 S

Page 2

U.S. PATENT DOCUMENTS

6,584,939	B1 *	7/2003	Brezinski	119/850	RE39,564	E *	4/2007	Brezinski	119/850
D479,896	S *	9/2003	Wilson	D30/145	D586,509	S *	2/2009	Kok-Duson	D30/145
6,662,754	B1 *	12/2003	Wilson	119/850	2003/0221636	A1 *	12/2003	Critzer	119/850
D486,275	S *	2/2004	Grubb	D30/145	2005/0229869	A1 *	10/2005	Leo	119/850
6,694,925	B2 *	2/2004	Critzer	119/850	2007/0289557	A1 *	12/2007	Gerdes	119/850
D511,868	S *	11/2005	Cherrett	D30/145	2007/0289558	A1 *	12/2007	Bonfoey	119/850

* cited by examiner

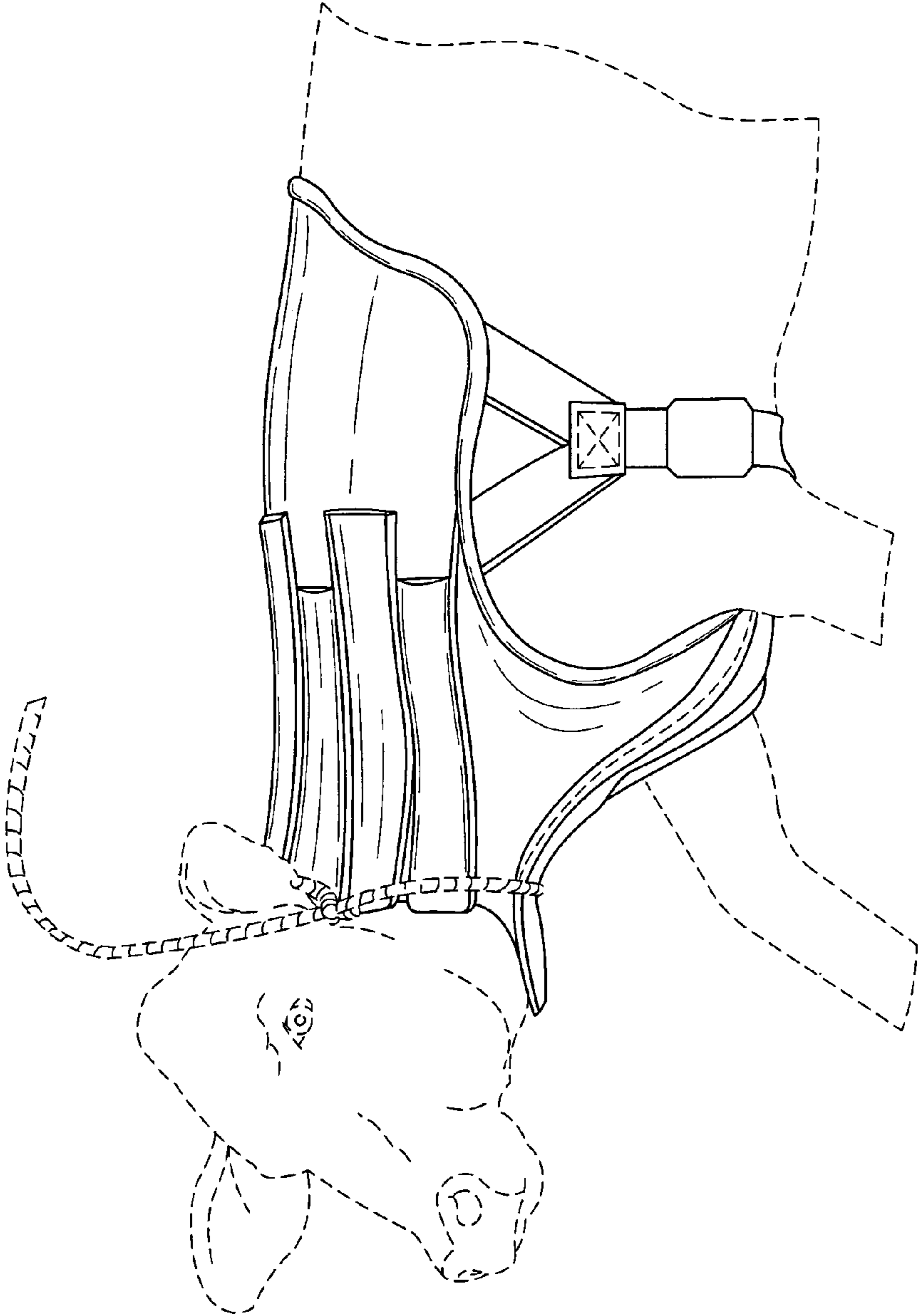


FIG.1

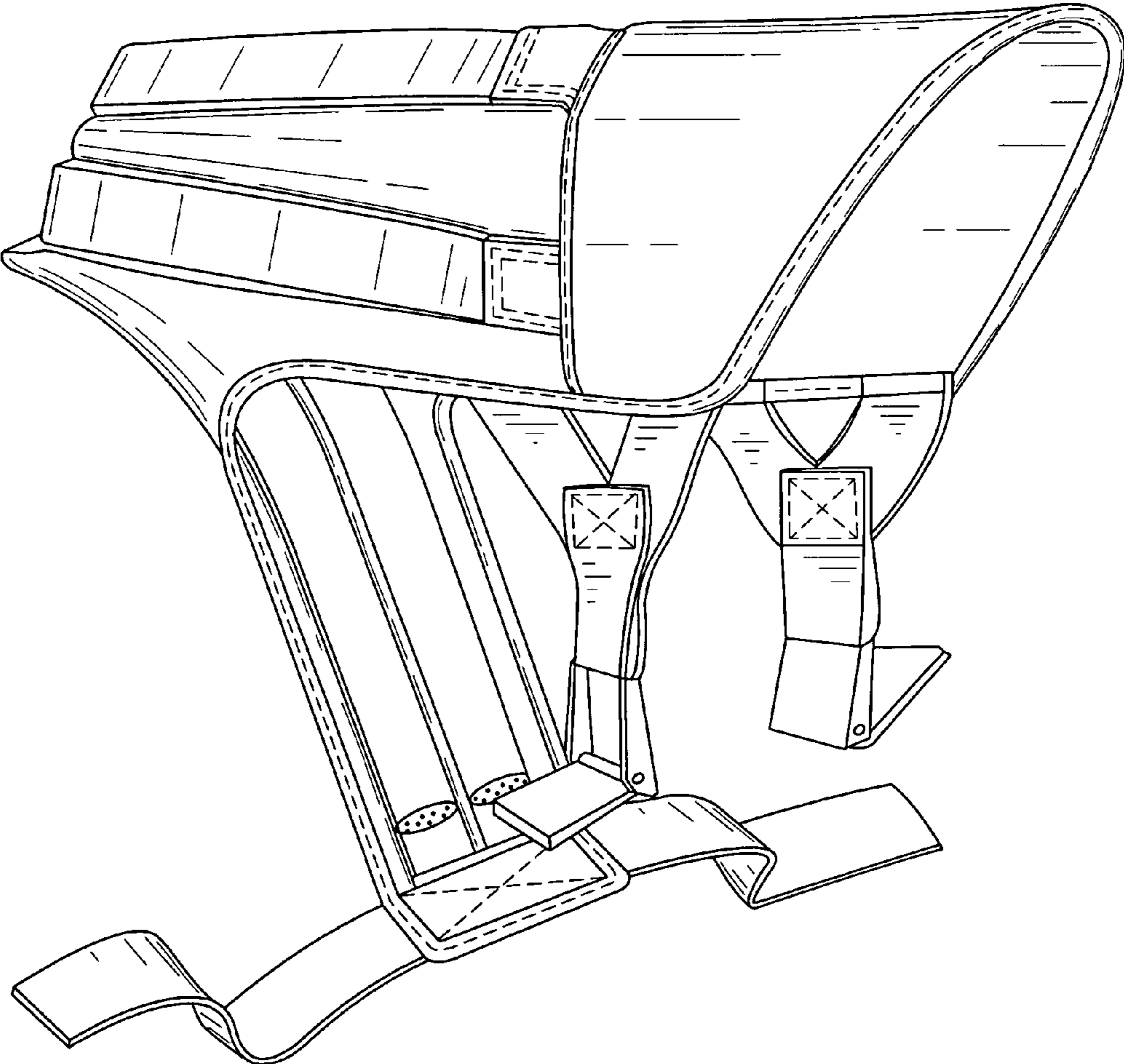


FIG.2

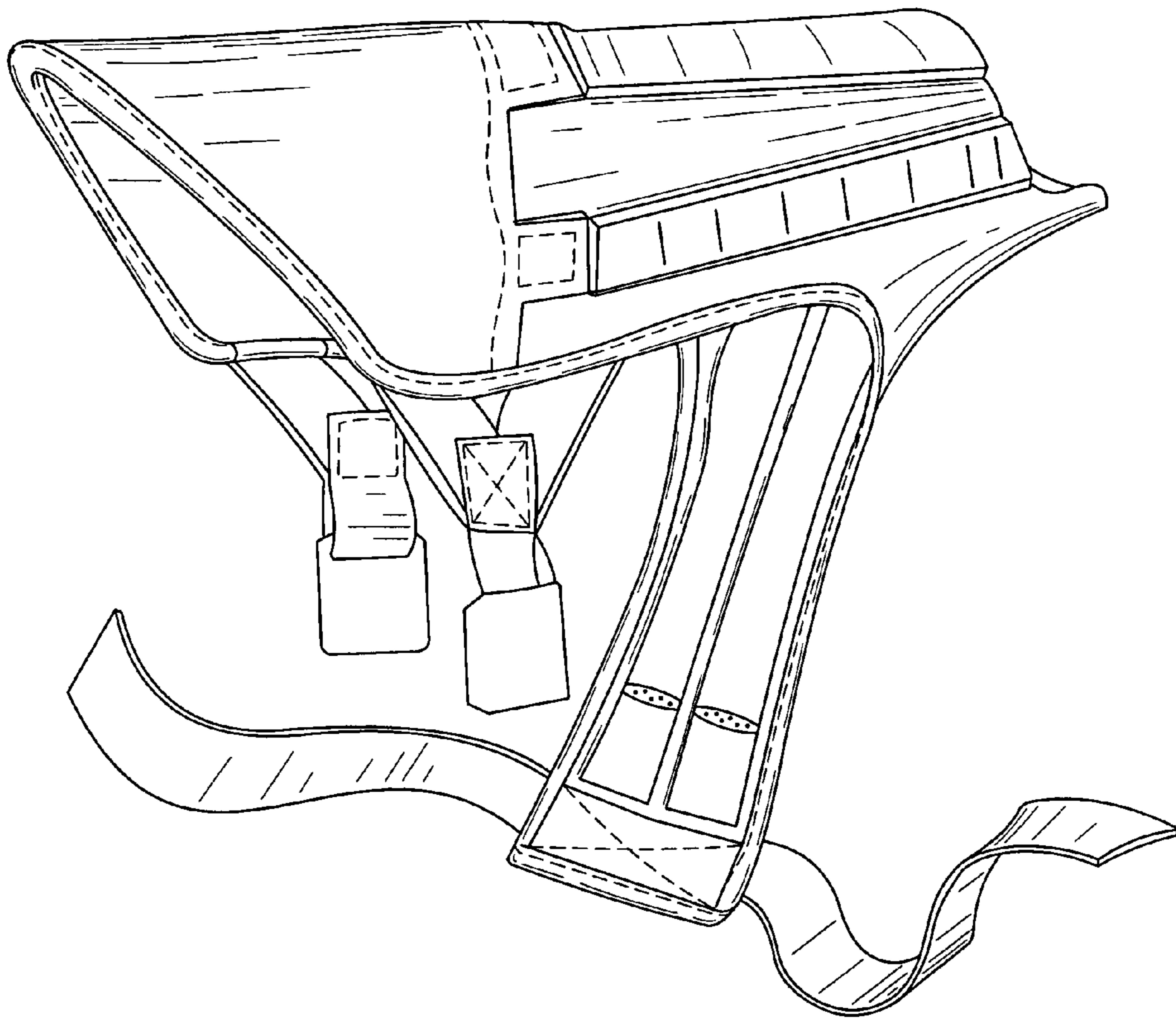


FIG.3

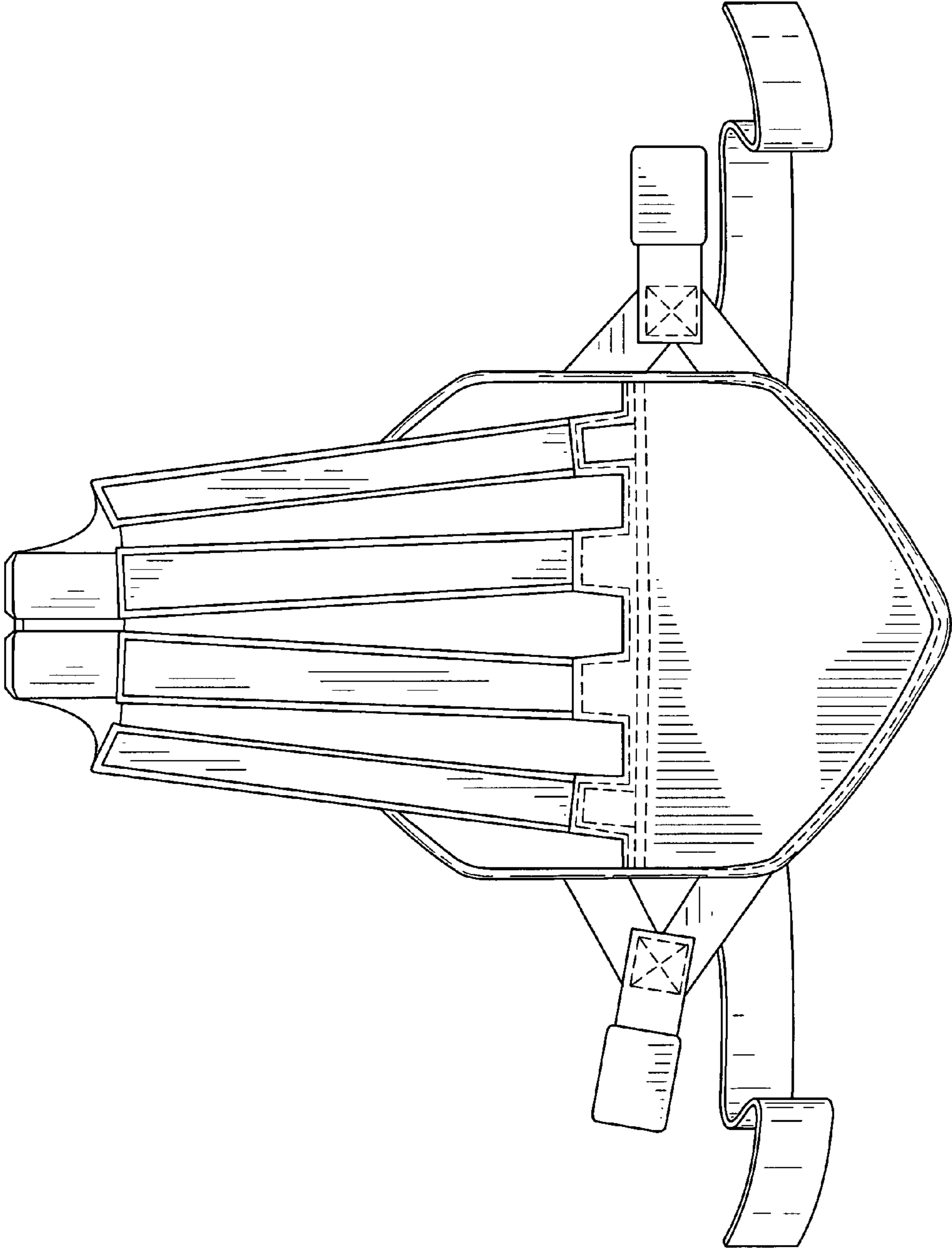


FIG.4

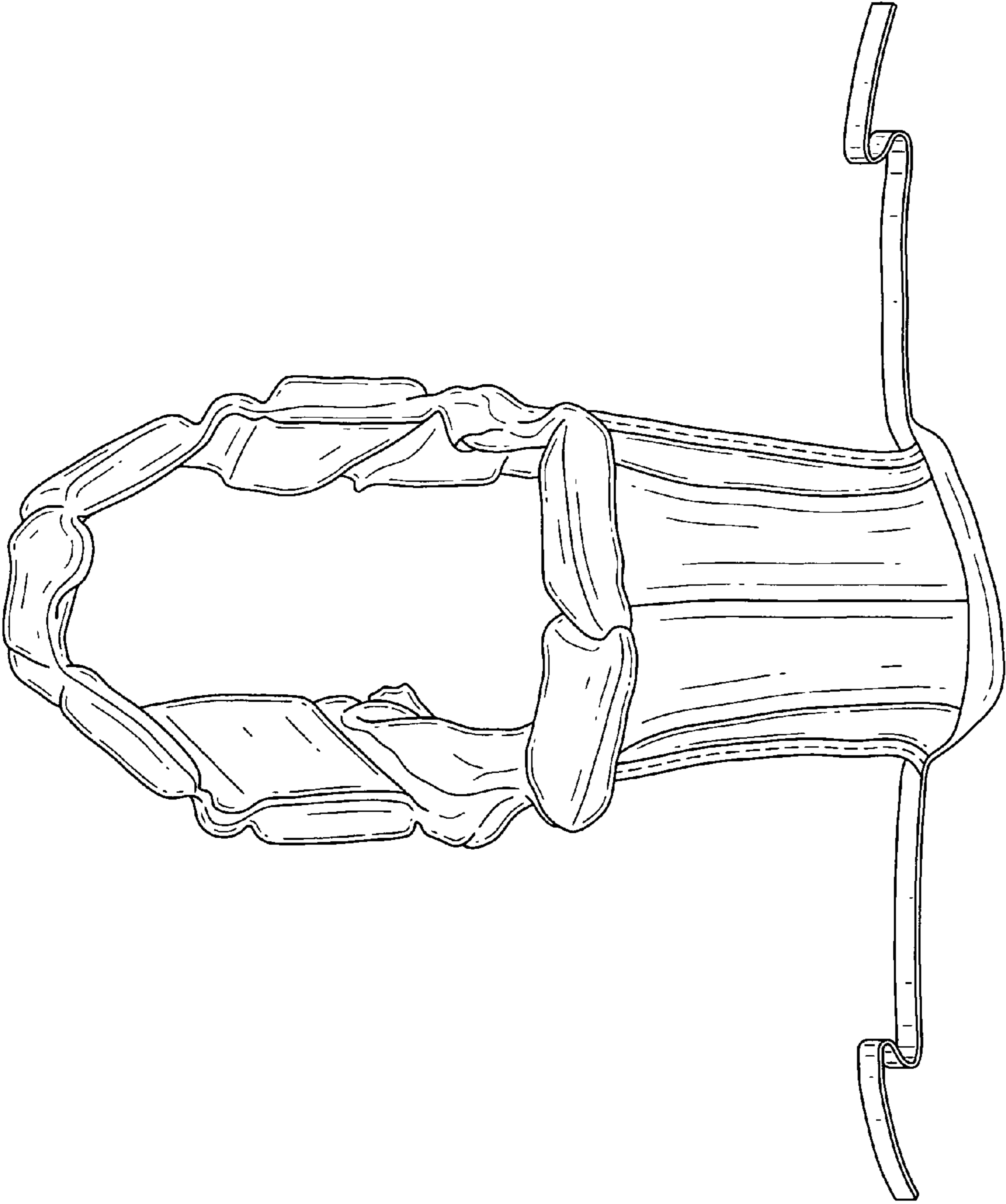


FIG.5