



US00D637362S

(12) **United States Design Patent**  
**Gunn**

(10) **Patent No.:** **US D637,362 S**

(45) **Date of Patent:** **\*\* May 3, 2011**

(54) **ANIMAL WATERING DEVICE**  
(75) **Inventor:** **Randall Scott Gunn**, Fort Collins, CO (US)  
(73) **Assignee:** **HydraHorse, LLC**, Windsor, CO (US)  
(\*\*) **Term:** **14 Years**  
(21) **Appl. No.:** **29/365,123**  
(22) **Filed:** **Jul. 2, 2010**

3,903,845 A \* 9/1975 Little ..... 119/81  
3,943,890 A \* 3/1976 Calia  
4,123,991 A 11/1978 Kinrade  
4,153,011 A 5/1979 Weissman et al.  
4,159,142 A 6/1979 Larson  
D261,465 S \* 10/1981 Minchew ..... D7/555  
4,347,809 A \* 9/1982 Glogler ..... 119/81  
4,456,149 A 6/1984 Sciortino  
D290,537 S \* 6/1987 Hostetler ..... D30/132  
D290,771 S \* 7/1987 Hostetler ..... D30/132  
D324,116 S \* 2/1992 Skillius ..... D30/132  
5,209,184 A 5/1993 Sharkan et al.  
5,361,929 A 11/1994 McLain et al.

(Continued)

(51) **LOC (9) Cl.** ..... **30-03**  
(52) **U.S. Cl.** ..... **D30/132; D30/121; D30/129**  
(58) **Field of Classification Search** ..... D30/123, D30/129, 132, 121; 119/69.5, 673, 57.8, 119/68, 74, 61.57, 78-81, 61.4, 57.9, 51.5, 119/61.5, 72; 47/66.6, 39, 67, 83; 239/27, 239/280, 200, 281, 280.5, 273, 16, 17, 20, 239/22; 4/644, 627, 638; D7/558; D11/144, D11/145, 153; D99/5, 24; 27/1; D23/201, D23/292; 248/127, 132, 137, 138, 158, 910; 215/10; D6/353, 352, 484, 360, 480, 488; 219/521; 329/442, 459

See application file for complete search history.

(56) **References Cited**

**U.S. PATENT DOCUMENTS**

D136,201 S \* 8/1943 Brodsky ..... D30/132  
2,366,766 A \* 1/1945 Brodsky ..... 119/74  
2,487,267 A \* 11/1949 Norland ..... 137/408  
2,519,593 A \* 8/1950 Offenhauer ..... 266/216  
2,713,322 A 7/1955 Coyner  
D177,053 S \* 3/1956 Kofford ..... D30/132  
2,877,051 A \* 3/1959 Cushman et al. .... 239/17  
D185,650 S \* 7/1959 Voorhees et al. .... D30/132  
3,272,181 A \* 9/1966 Ramsey ..... 119/76  
D218,979 S \* 10/1970 Kofford ..... D30/132  
3,776,192 A 12/1973 Stamps et al.  
3,777,714 A \* 12/1973 Danielsson ..... 119/75

**FOREIGN PATENT DOCUMENTS**

WO 2007144094 12/2007

**OTHER PUBLICATIONS**

International Search Report for PCT/US2010/046242, International Searching Authority, Nov. 16, 2010, pp. 1-17.

*Primary Examiner* — Susan Moon Lee

(74) *Attorney, Agent, or Firm* — Paul M. Thompson; Cochran Freund & Young LLC

(57) **CLAIM**

The ornamental design for an animal watering device, as shown and described.

**DESCRIPTION**

FIG. 1 is an isometric view of an animal watering device showing my new design.

FIG. 2 is a front elevation view thereof.

FIG. 3 is a top plan view thereof.

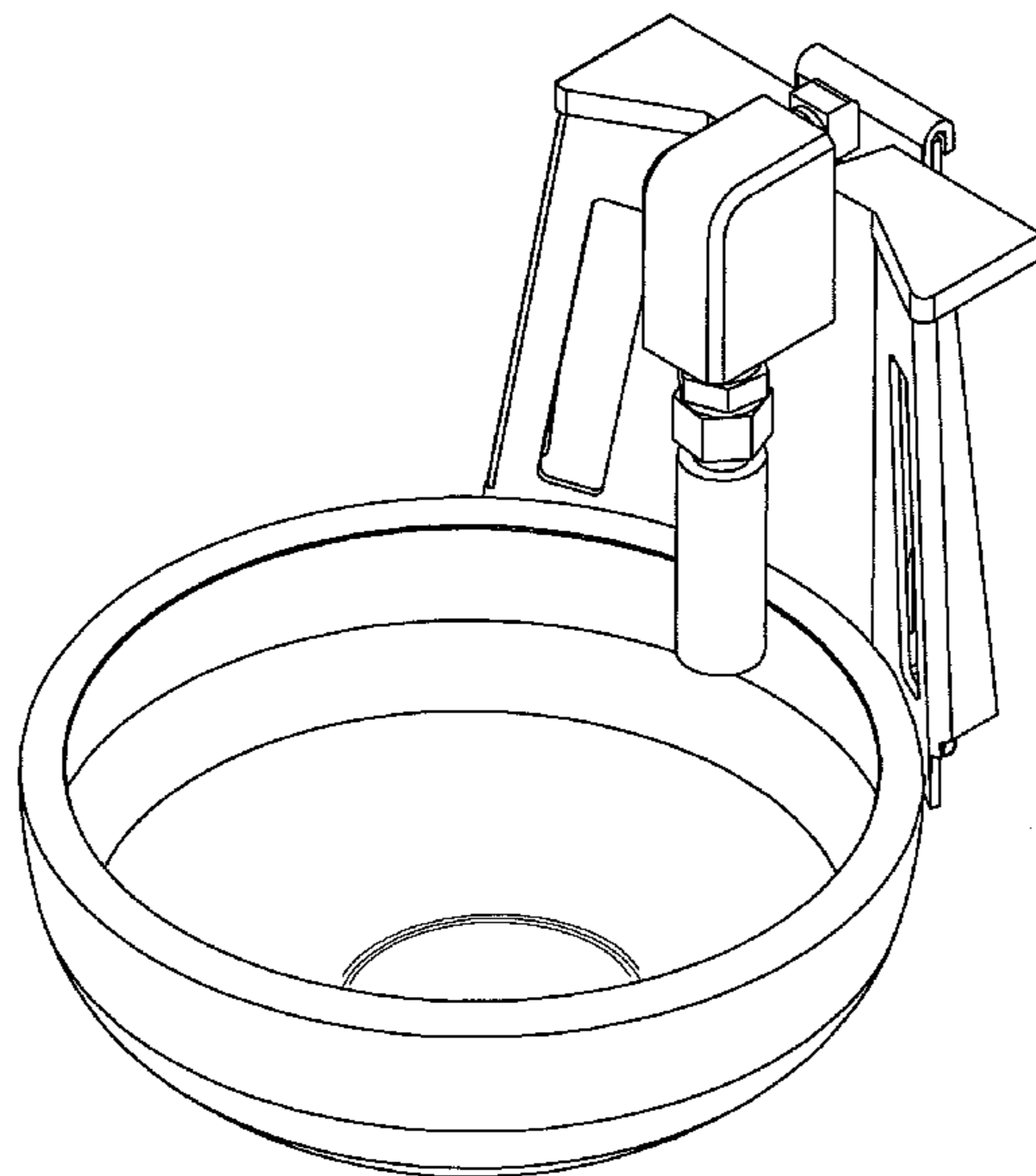
FIG. 4 is a left side elevation view thereof.

FIG. 5 is a right side elevation view thereof.

FIG. 6 is a rear elevation view thereof; and,

FIG. 7 is a bottom plan view thereof.

**1 Claim, 7 Drawing Sheets**





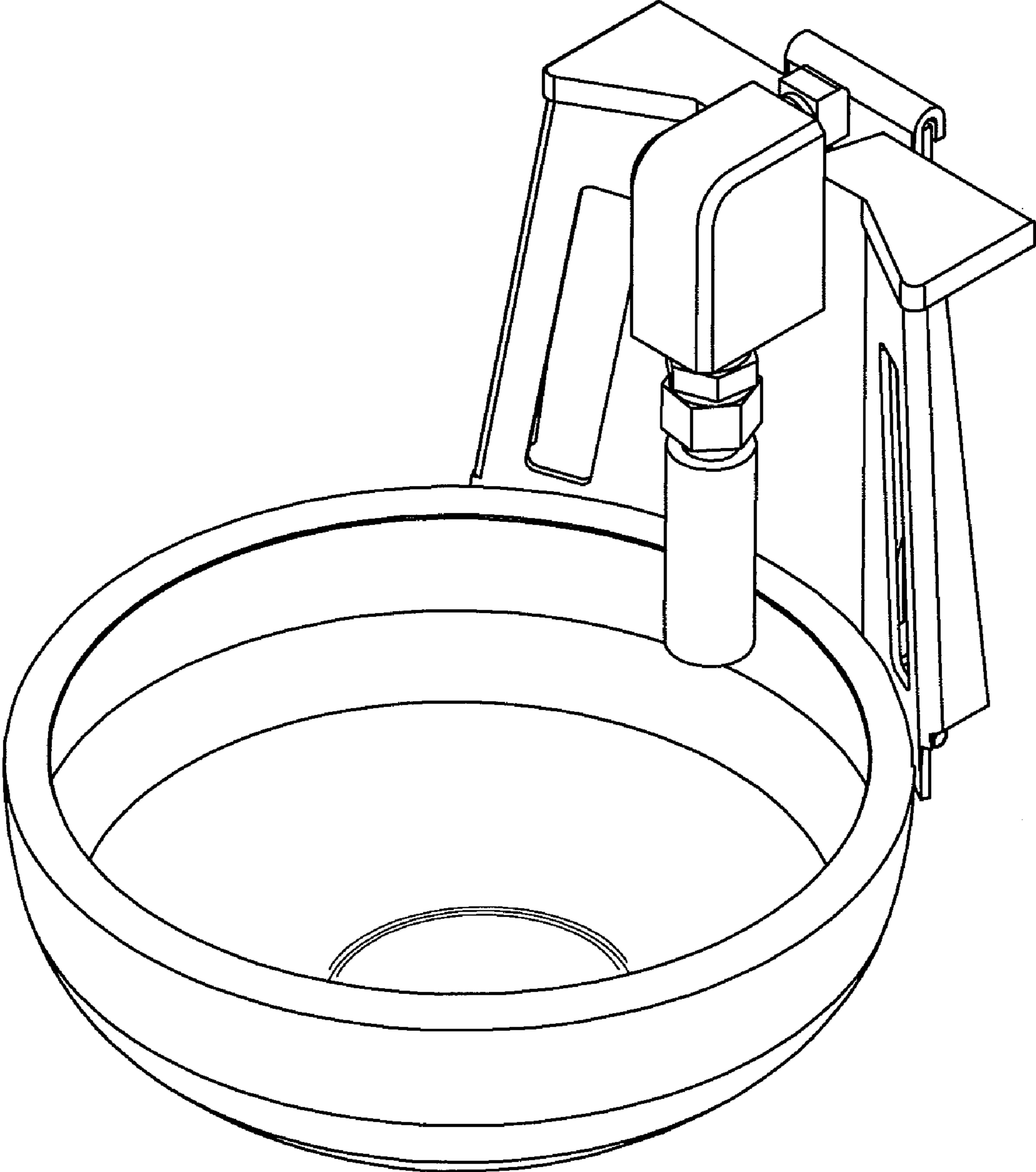


Fig. 1

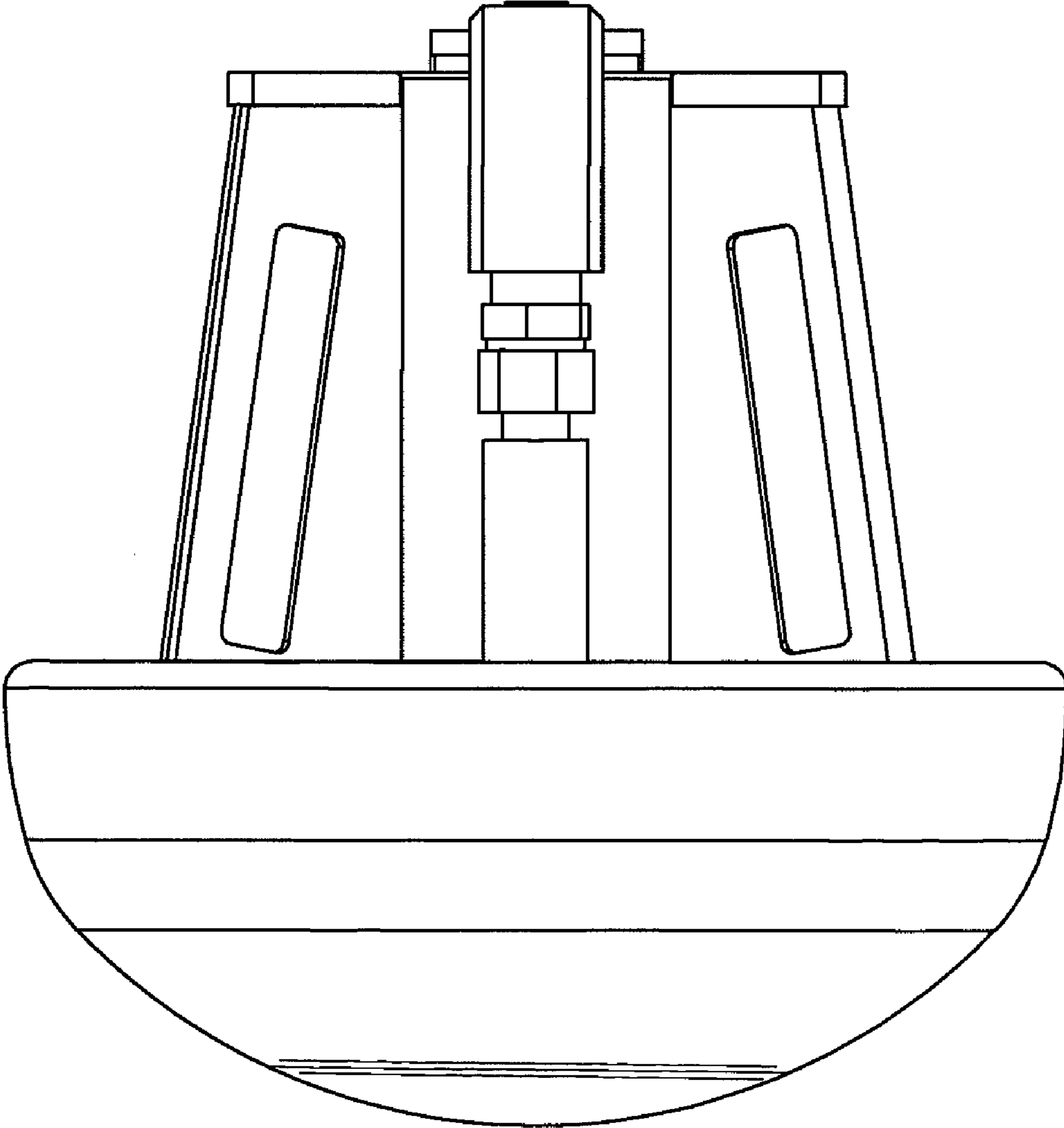


Fig. 2

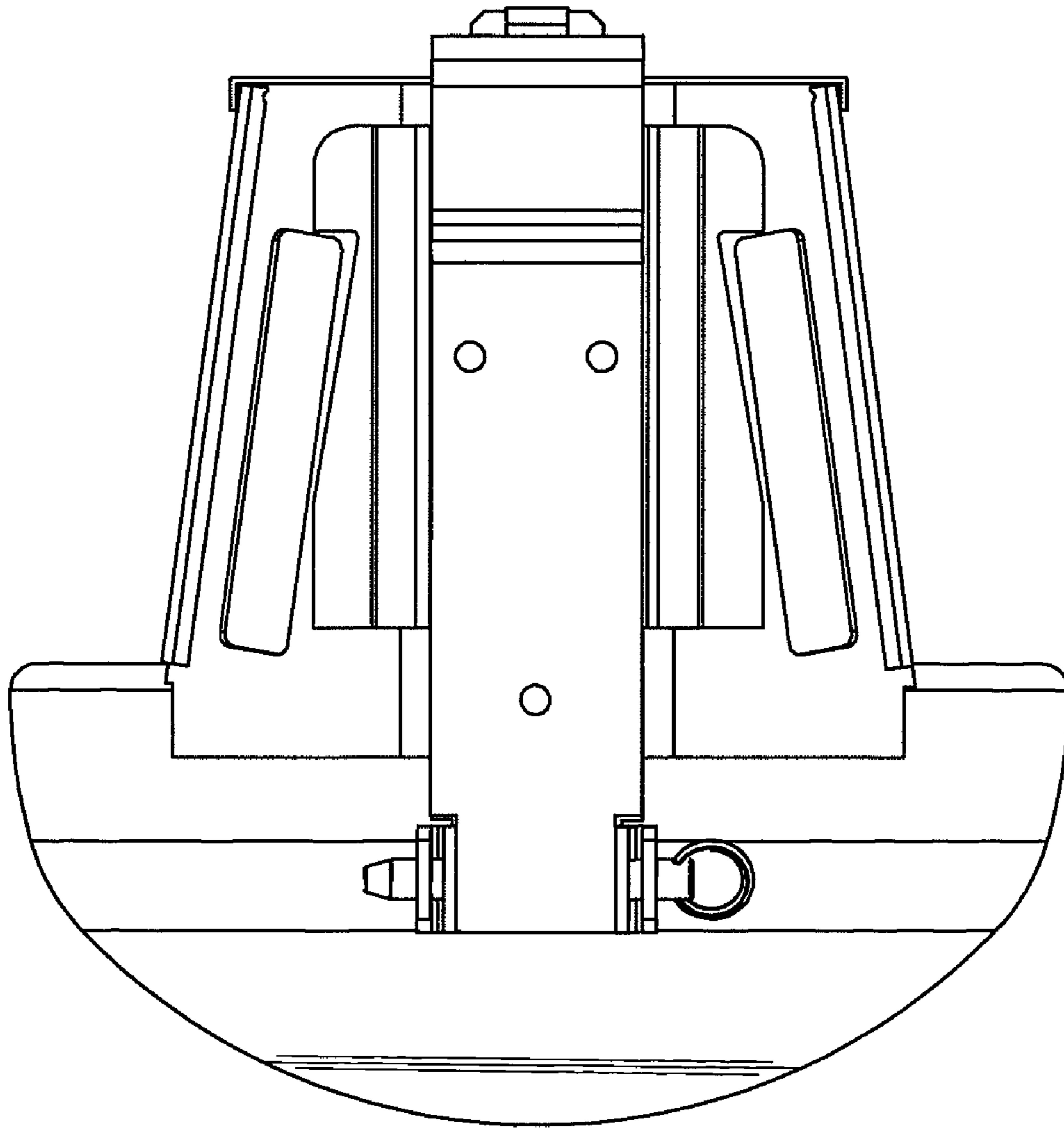


Fig. 3

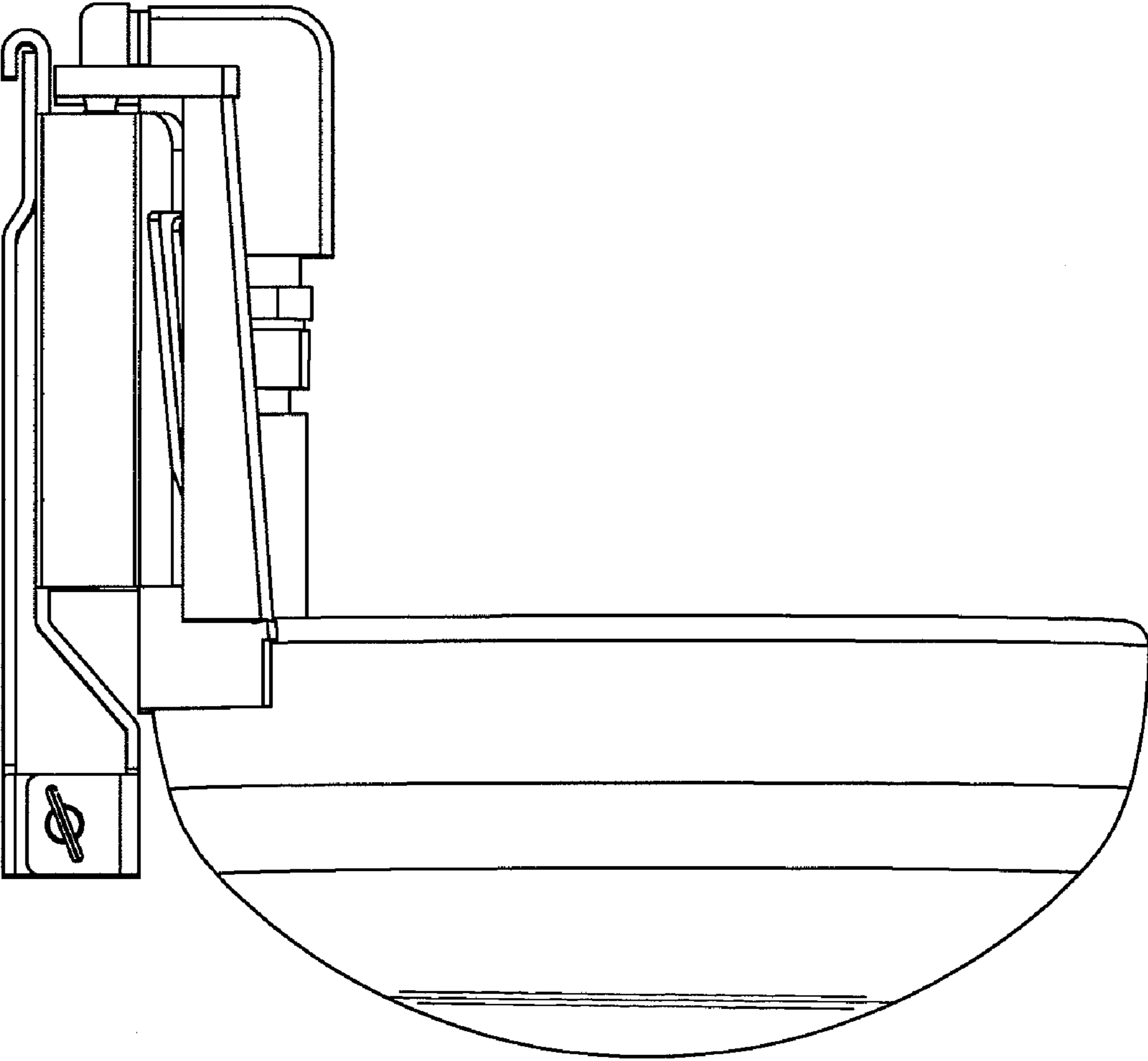


Fig. 4

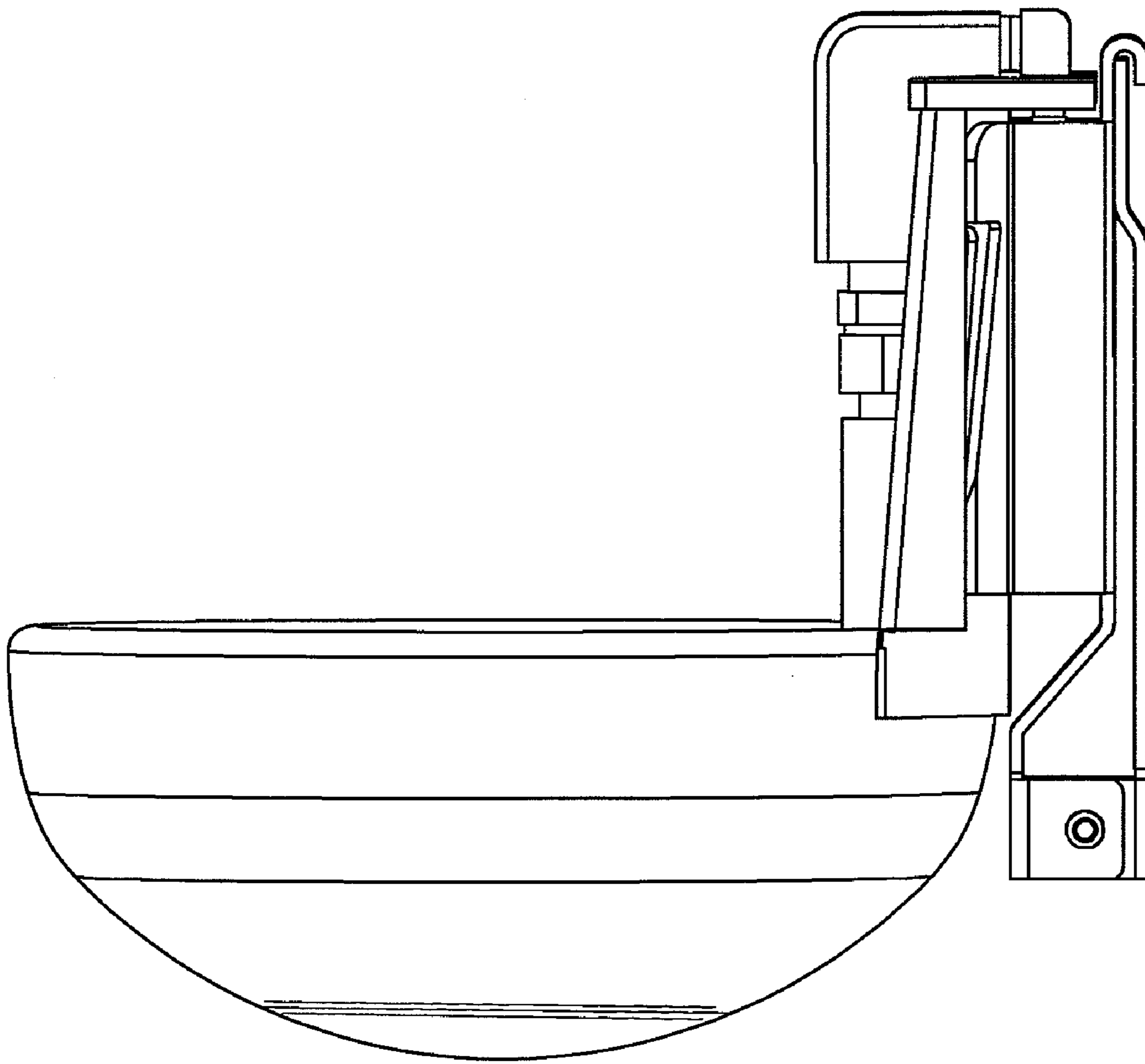


Fig. 5

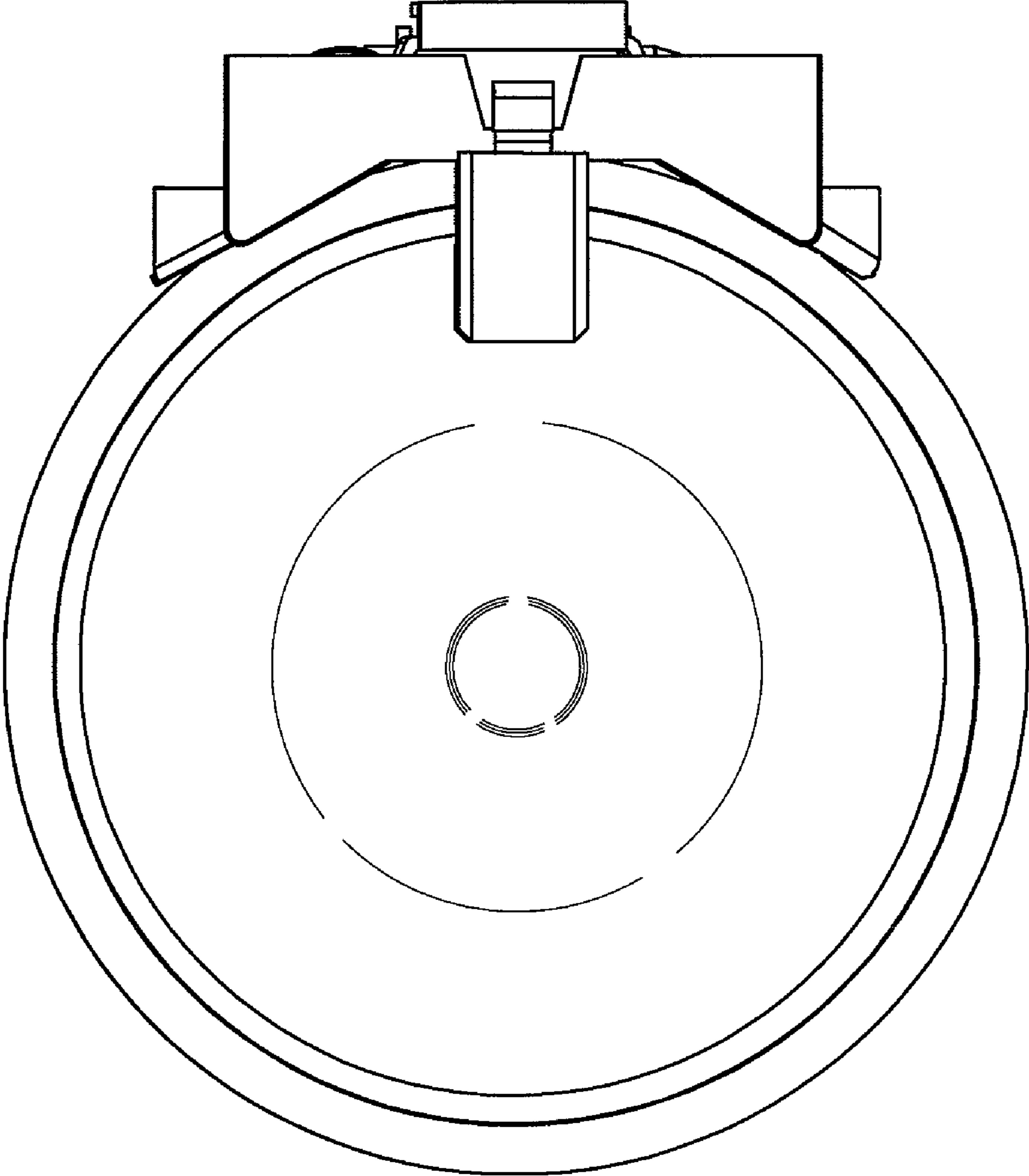


Fig. 6



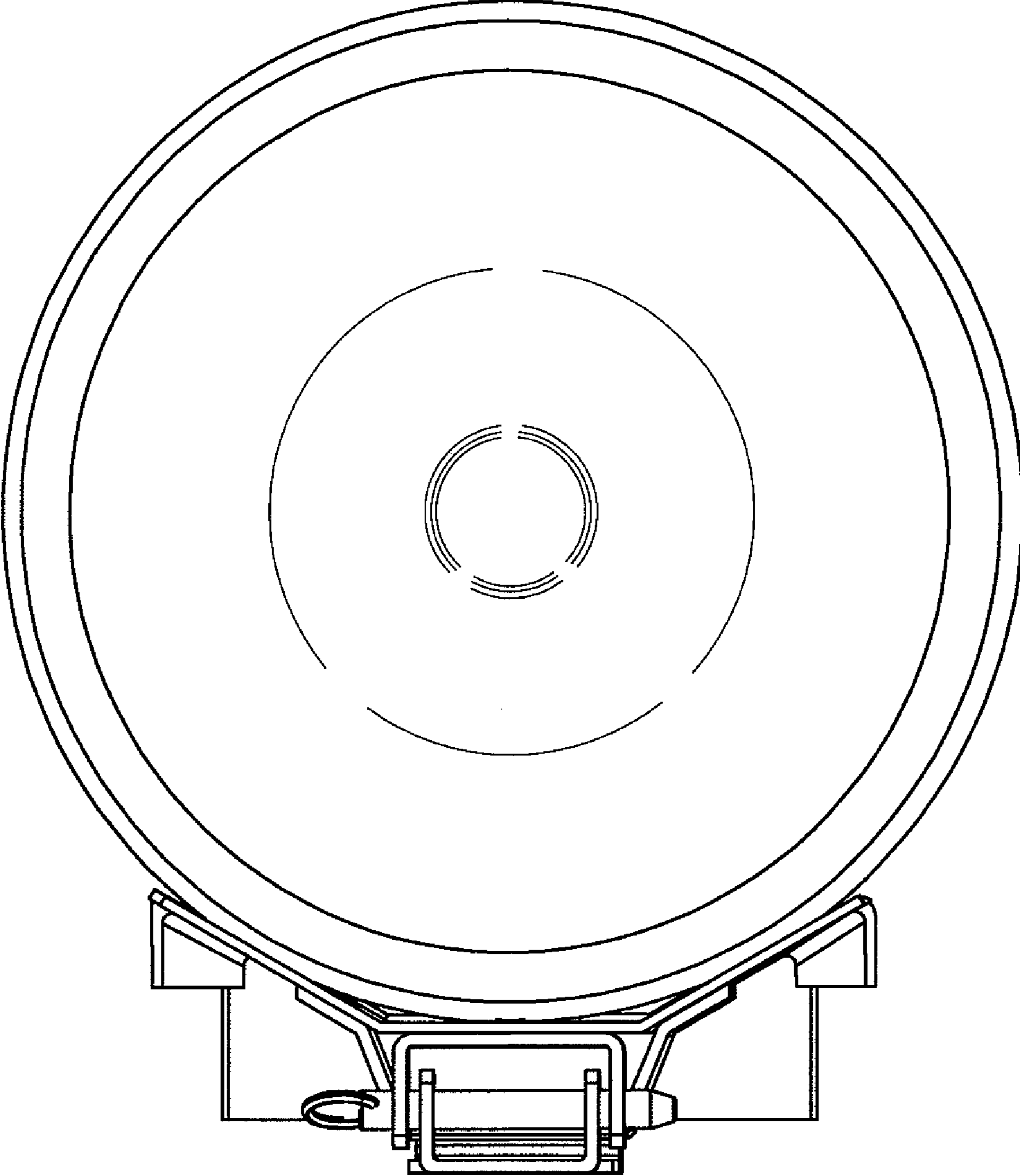


Fig. 7