



US00D637361S

(12) **United States Design Patent**
Jeffries

(10) **Patent No.:** **US D637,361 S**

(45) **Date of Patent:** **** May 3, 2011**

(54) **ANIMAL FEEDER WHICH IS PARTICULARLY SUITABLE FOR FEEDING DEER**

(76) Inventor: **Mark A. Jeffries**, North Canton, OH (US)

(**) Term: **14 Years**

(21) Appl. No.: **29/365,874**

(22) Filed: **Jul. 16, 2010**

(51) **LOC (9) Cl.** **30-03**

(52) **U.S. Cl.** **D30/131; D30/121**

(58) **Field of Classification Search** D30/133, D30/121, 122, 124, 127, 128, 132, 129-131; 119/51.01, 61, 51.04, 53, 57.91, 54, 53.5, 119/52.4, 51.11, 63, 61.2, 52.1, 57.5, 57.6, 119/51.13, 62, 75, 500, 501, 73, 74, 51.12, 119/51.5, 52.2, 61.1, 60, 58, 59, 61.4; 239/7, 239/687, 379, 397.5; 222/199, 181.1, 181.2, 222/185.1, 557, 156, 485, 486, 548, 555; 220/200, 227, 247, 262, 697-702; 221/174, 221/185.1, 289, 295, 296, 559; 454/35; 209/270, 209/283, 244; 52/194, 192; 49/279, 344, 49/357; D34/28; D7/409, 601; 211/181.1; 414/24.5; D32/53.1; 15/260, 262, 264, 257.01, 15/257.05, 257.06; 118/419; D9/424, 429; D11/156, 143-155, 64; D6/403

See application file for complete search history.

(56) **References Cited**

U.S. PATENT DOCUMENTS

| | | | | |
|-----------|-----|---------|-------------|----------|
| 339,694 | A * | 4/1886 | Rine et al. | 119/61.4 |
| 432,671 | A * | 7/1890 | Kent | 119/61.1 |
| 526,249 | A * | 9/1894 | Meeker | 220/9.3 |
| 749,717 | A * | 1/1904 | Carpenter | 119/61.1 |
| 823,806 | A * | 6/1906 | Overfield | 119/60 |
| 1,644,263 | A * | 10/1927 | Moellring | 119/61.3 |

| | | | | |
|-----------|-----|---------|--------------|-----------|
| 1,779,178 | A * | 10/1930 | Lorentzen | 144/355 |
| D157,213 | S * | 2/1950 | Stevens | D32/53.1 |
| 2,691,362 | A * | 10/1954 | Moyer et al. | 119/61.1 |
| D184,515 | S * | 3/1959 | Fawick | D11/156 |
| 3,121,418 | A * | 2/1964 | Stone | 119/61.1 |
| 3,259,106 | A * | 7/1966 | Ray et al. | 119/51.03 |
| D236,569 | S * | 9/1975 | Kramer | D11/156 |
| D256,683 | S * | 9/1980 | Merritt | D11/156 |
| 4,253,424 | A * | 3/1981 | Williams | 119/61.4 |
| D271,954 | S * | 12/1983 | Neil | D11/156 |
| D271,955 | S * | 12/1983 | Neil | D11/156 |
| D286,929 | S * | 11/1986 | Brandon | D32/53.1 |
| 5,000,122 | A * | 3/1991 | Smith | 119/58 |
| D338,286 | S * | 8/1993 | Jaramillo | D30/121 |
| D346,261 | S * | 4/1994 | Fay | D34/29 |
| D351,709 | S * | 10/1994 | Williams | D34/28 |
| D364,253 | S * | 11/1995 | Pianella | D32/53.1 |
| D403,268 | S * | 12/1998 | Dignam | D11/156 |

(Continued)

FOREIGN PATENT DOCUMENTS

GB 814686 6/1959

Primary Examiner — Susan Moon Lee

(74) *Attorney, Agent, or Firm* — Alvin T. Rockhill

(57) **CLAIM**

The ornamental design for an animal feeder which is particularly suitable for feeding deer, as shown and described.

DESCRIPTION

FIG. 1 is a front-top perspective view of an animal feeder which is particularly suitable for feeding deer.

FIG. 2 is a front-bottom perspective view of the animal feeder.

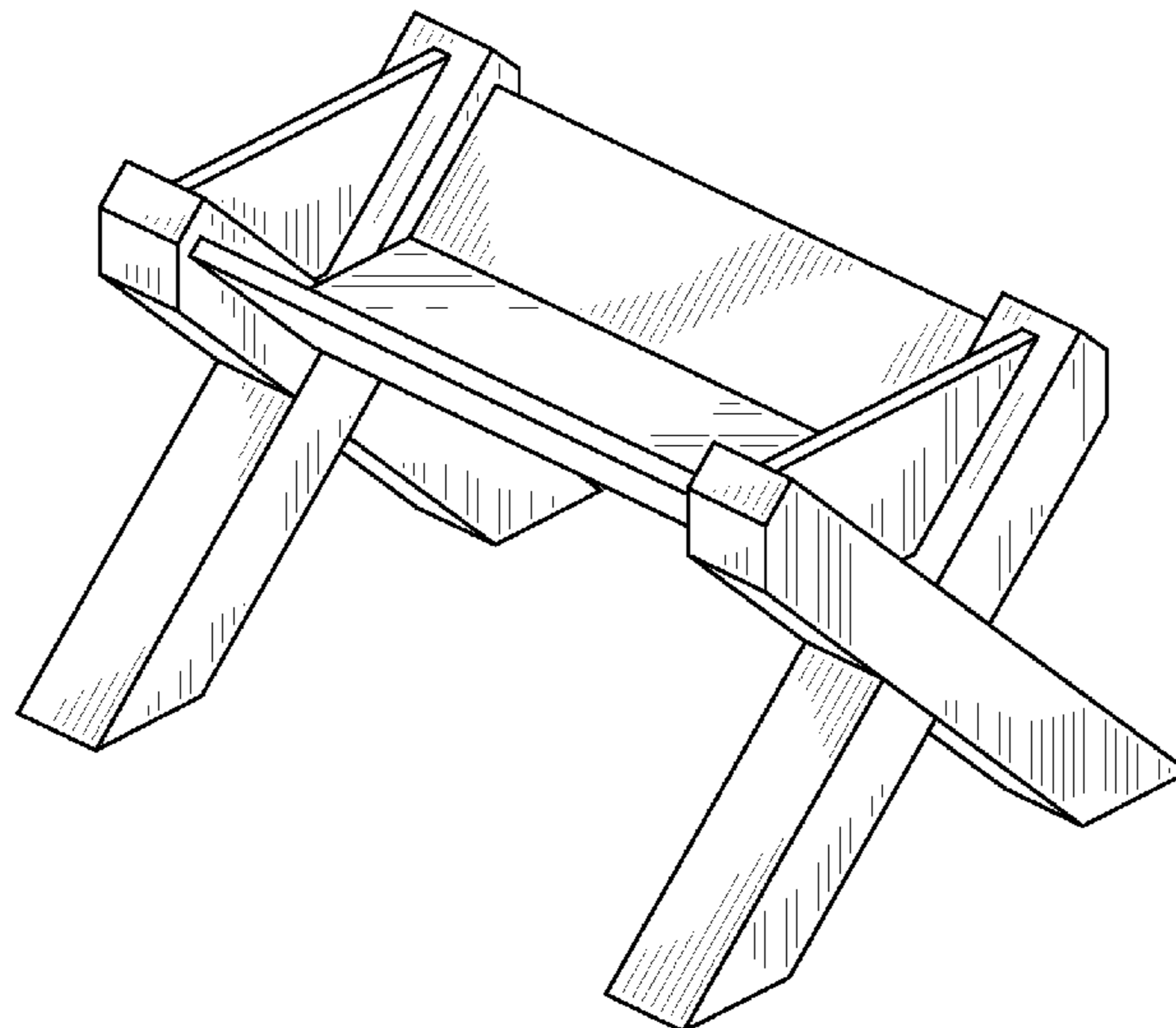
FIG. 3 is a front view of the animal feeder with the back view being identical to the front view.

FIG. 4 is a right side view of the animal feeder with the left side view being identical to the right side view.

FIG. 5 is a top view of the animal feeder; and,

FIG. 6 is a bottom view of the animal feeder.

1 Claim, 3 Drawing Sheets



US D637,361 S

Page 2

| U.S. PATENT DOCUMENTS | | | |
|-----------------------|------|---------|------------------------------|
| D431,889 | S * | 10/2000 | Jansen et al. D34/28 |
| 6,990,925 | B2 | 1/2006 | Banks et al. 119/61.3 |
| D518,263 | S * | 3/2006 | Verhaar D32/53.1 |
| 7,073,460 | B1 * | 7/2006 | Rasmussen et al. 119/60 |
| D548,896 | S * | 8/2007 | Stewart D30/131 |
| D561,963 | S * | 2/2008 | Pedros D32/53.1 |

* cited by examiner

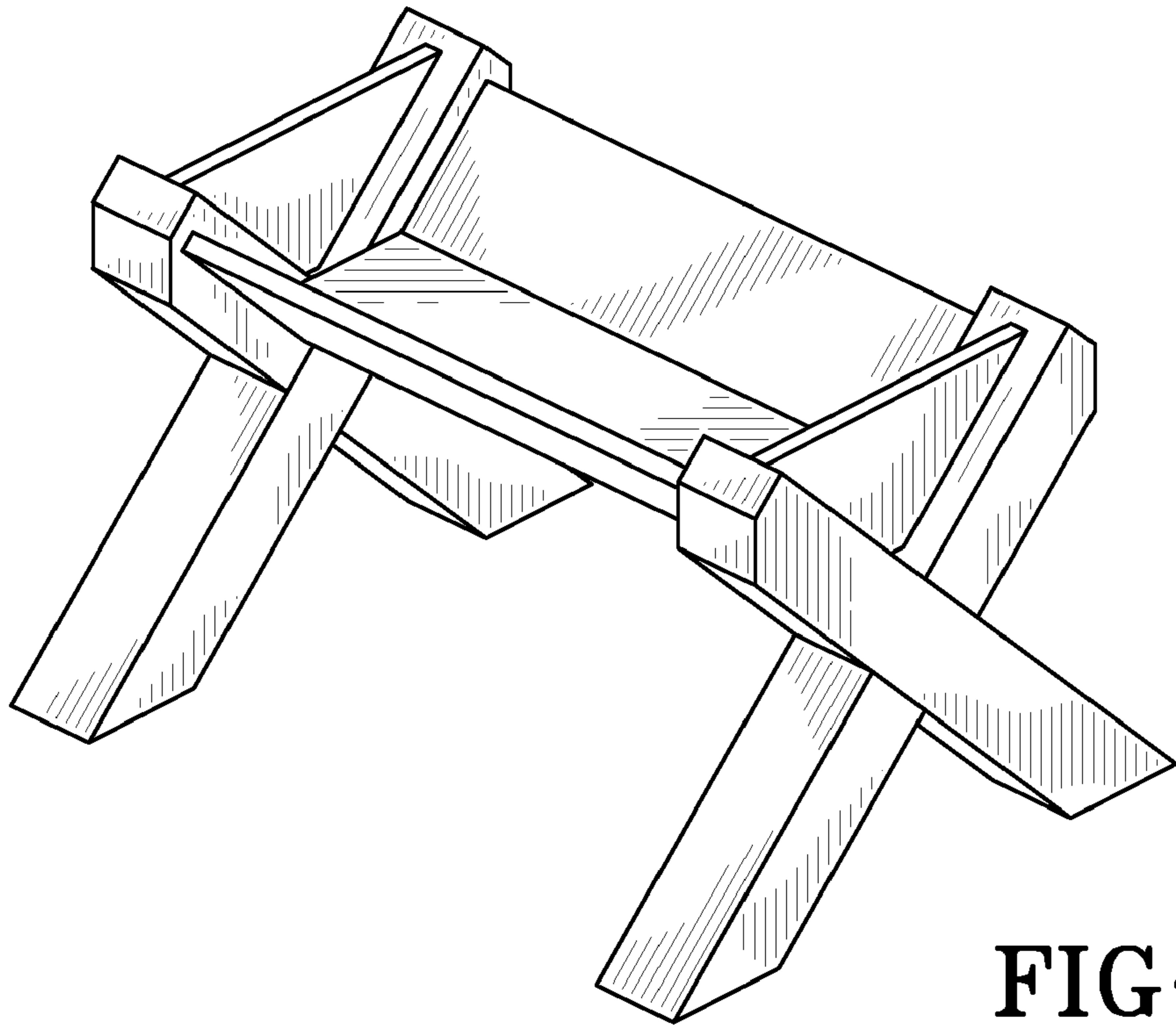


FIG-1

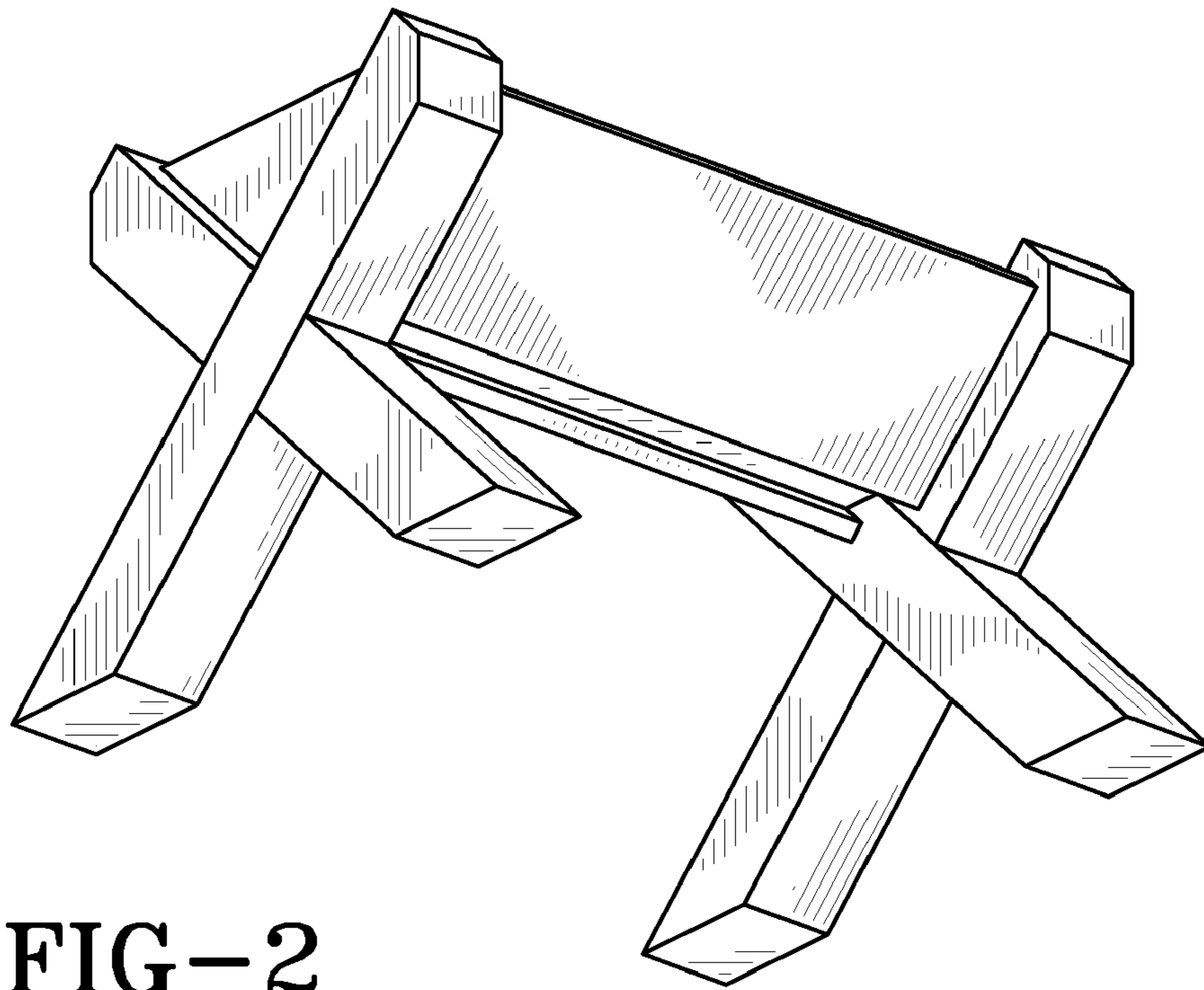


FIG-2

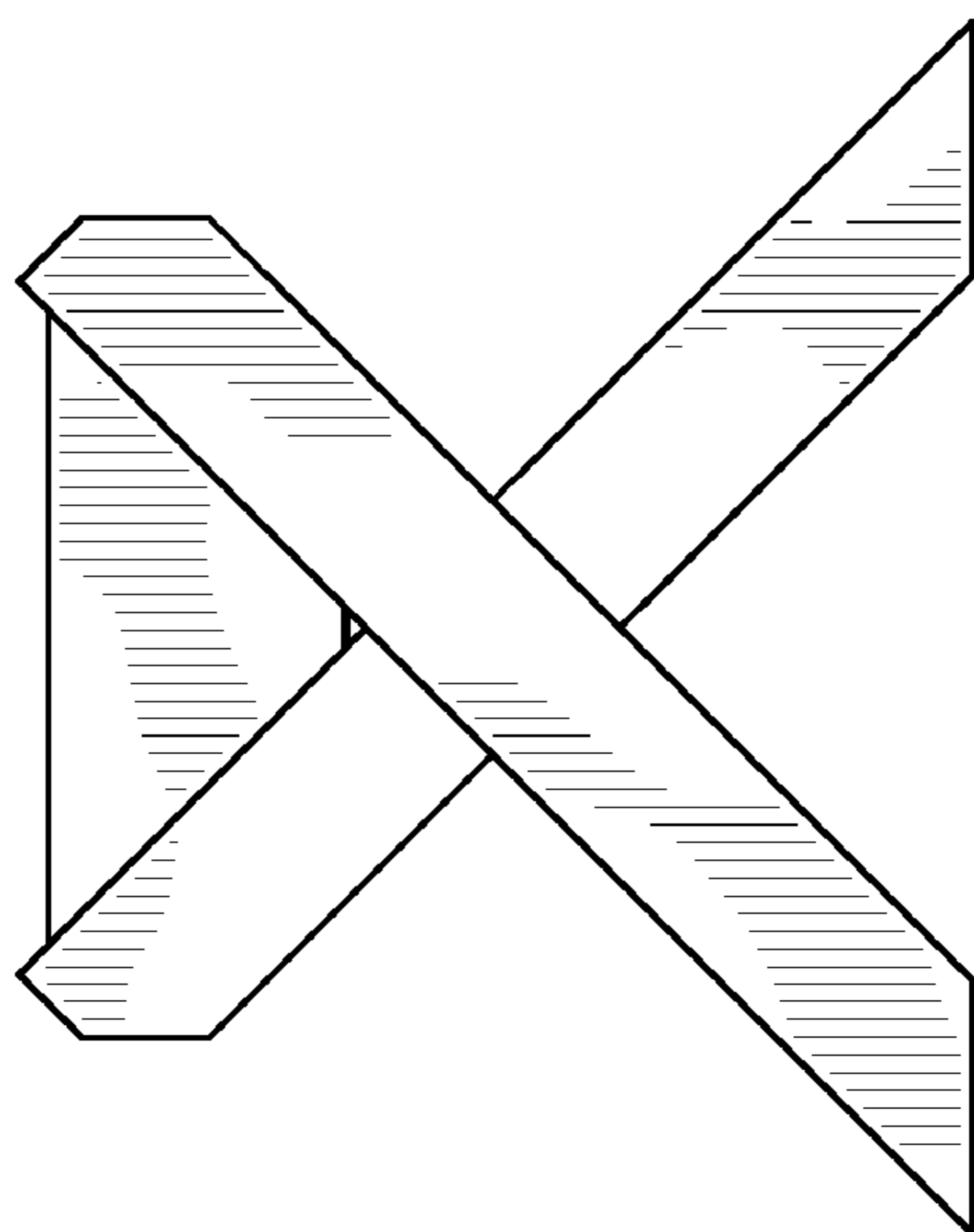


FIG-4

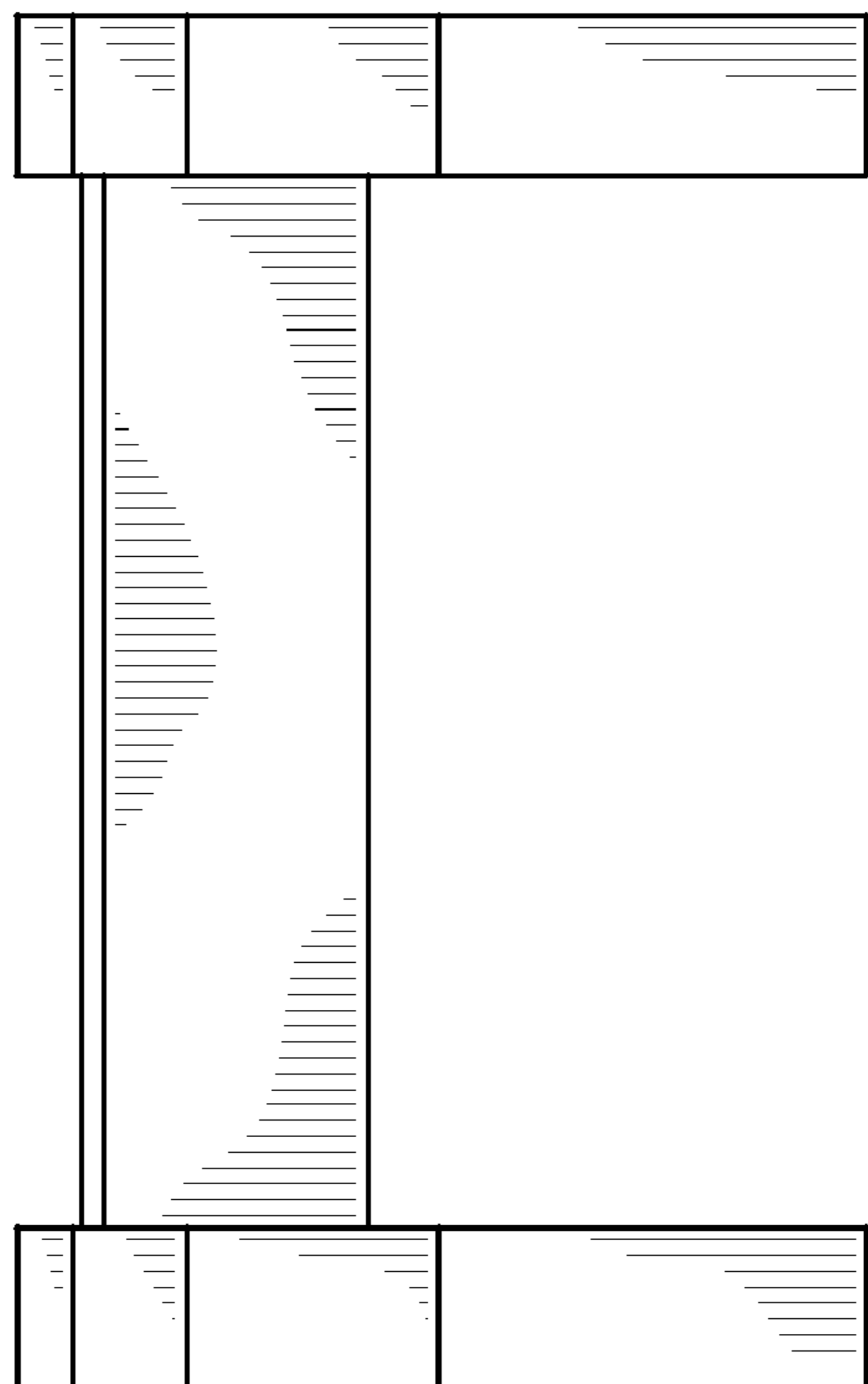


FIG-3

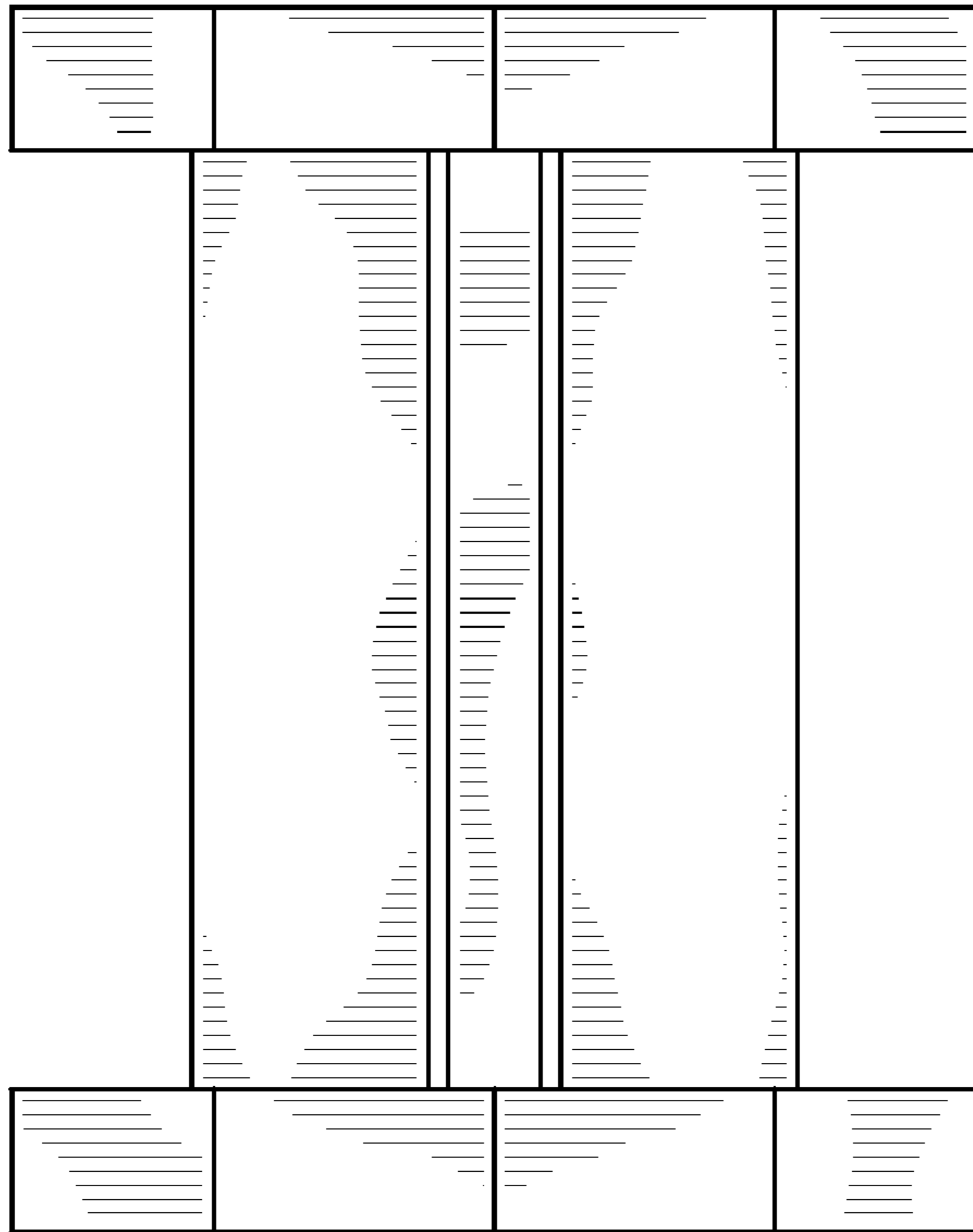


FIG-6

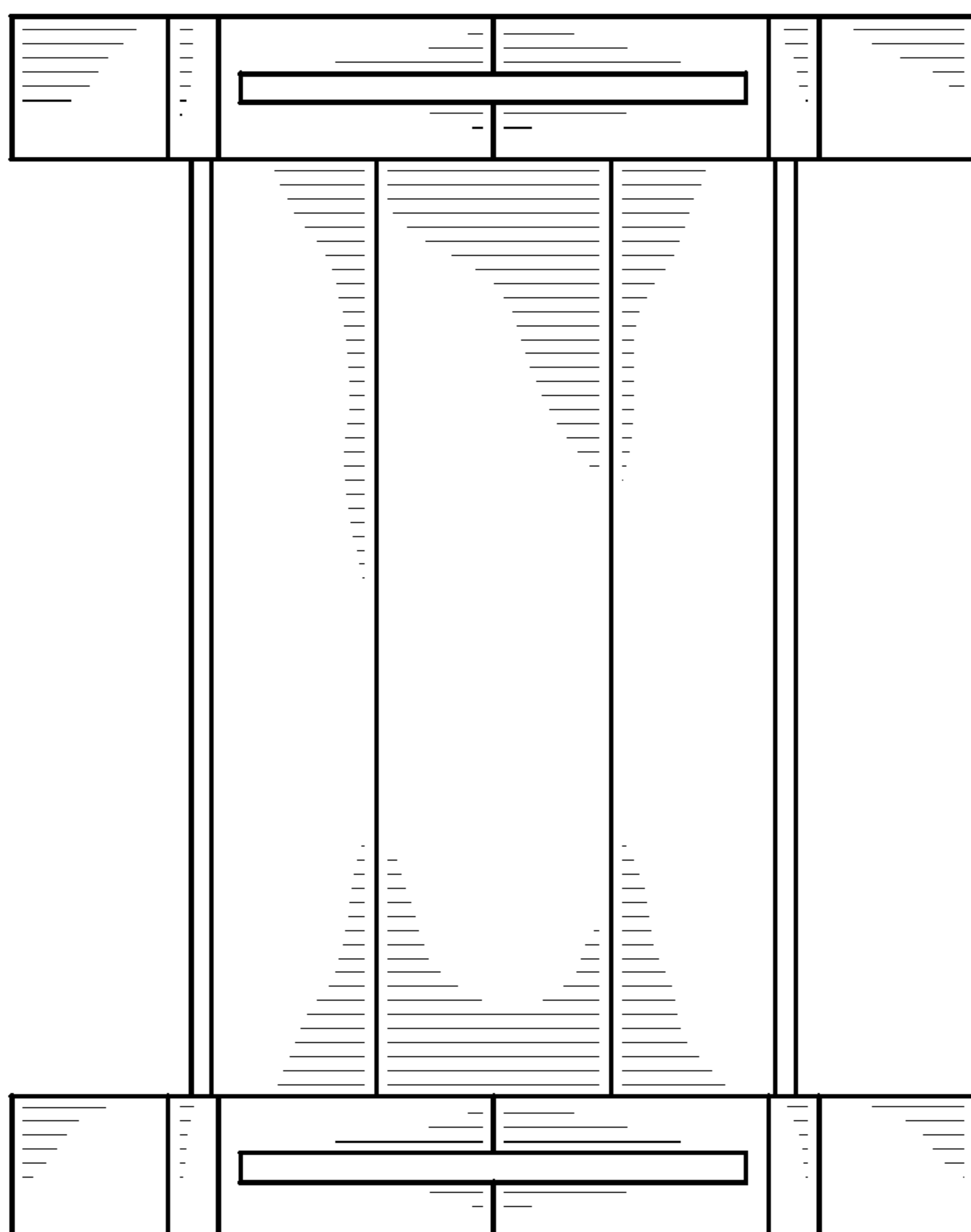


FIG-5