



US00D637360S

(12) **United States Design Patent**
Reicher

(10) **Patent No.:** **US D637,360 S**

(45) **Date of Patent:** **** May 3, 2011**

- (54) **IN-WALL PET BOWL ASSEMBLY**
- (76) Inventor: **Steven C. Reicher**, LaPorte, IN (US)
- (**) Term: **14 Years**
- (21) Appl. No.: **29/349,861**
- (22) Filed: **May 11, 2010**
- (51) **LOC (9) Cl.** **30-03**
- (52) **U.S. Cl.** **D30/131; D30/121**
- (58) **Field of Classification Search** D30/133,
D30/121, 122, 124, 127, 128, 132; 119/51.01,
119/61, 51.04, 53, 57.91, 54, 53.5, 52.4,
119/51.11, 63, 61.2, 52.1, 57.5, 57.6, 51.13,
119/62, 75, 500, 501; 239/7, 687, 379, 397.5;
222/199, 181.1, 181.2, 185.1, 557, 156, 485,
222/486, 548, 555; 220/200, 227, 247, 262;
221/174, 185.1, 289, 295, 296, 559; 454/35;
209/270, 283, 244; 52/194, 192; 49/279,
49/344, 357; D34/28

See application file for complete search history.

(56) **References Cited**

U.S. PATENT DOCUMENTS

889,906	A *	6/1908	Claypoole	298/7
1,354,130	A *	9/1920	Rudzinskas	119/521
1,486,224	A *	3/1924	Bruggeman et al.	119/73
1,498,697	A *	6/1924	Scholle	119/53
1,726,117	A *	8/1929	Opitz	57/298
1,737,797	A *	12/1929	Jacot	119/61.3
1,854,117	A *	4/1932	Devitt	119/78
2,309,830	A *	2/1943	Dearle	119/464
2,642,839	A *	6/1953	Marechal	119/75
2,660,981	A *	12/1953	Jorenby	119/61.4
2,687,114	A *	8/1954	Tuddenham	119/54
2,713,321	A *	7/1955	Keen	119/672
D185,650	S *	7/1959	Voorhees et al.	D30/132
D186,195	S *	9/1959	Cole	D32/53.1
3,180,319	A *	4/1965	France et al.	119/61.1
D207,166	S *	3/1967	Noble	D30/132
3,651,787	A *	3/1972	Cooper	119/51.01
D234,145	S *	1/1975	Peppler et al.	D30/132
D243,269	S *	2/1977	Baumgaertner	D11/156
D303,304	S *	9/1989	Sabatino	D32/53.1

4,934,311	A *	6/1990	Topelko	118/419
D324,116	S *	2/1992	Skillius	D30/132
D337,862	S *	7/1993	Leopold	D30/121
5,323,733	A *	6/1994	Youngs-McVicker	119/464
D357,210	S *	4/1995	Tomlinson et al.	D11/156
5,738,037	A *	4/1998	Mahan	119/72
D401,704	S *	11/1998	Clark	D32/53.1
D410,780	S *	6/1999	McGinty	D30/124
D446,889	S *	8/2001	Bornhofen	D30/132
7,467,599	B2 *	12/2008	Jensen et al.	119/61.1

* cited by examiner

Primary Examiner — Susan Moon Lee

(74) *Attorney, Agent, or Firm* — R. Tracy Crump

(57) **CLAIM**

I claim the ornamental design for an in-wall pet bowl assembly, as shown and described.

DESCRIPTION

FIG. 1 is a perspective view of the in-wall pet bowl assembly showing my new design;

FIG. 2 is a perspective view of the in-wall support frame component of my design;

FIG. 3 is a front view of the in-wall support frame component;

FIG. 4 is a rear view of the in-wall support frame component;

FIG. 5 is a right side view of the in-wall support frame component;

FIG. 6 is a left side view of the in-wall support frame component;

FIG. 7 is a top view of the in-wall support frame component;

FIG. 8 is a bottom view of the in-wall support frame component;

FIG. 9 is a perspective view of one of the bowl components of my design;

FIG. 10 is a top view of one of the bowl components;

FIG. 11 is a bottom view of one of the bowl components;

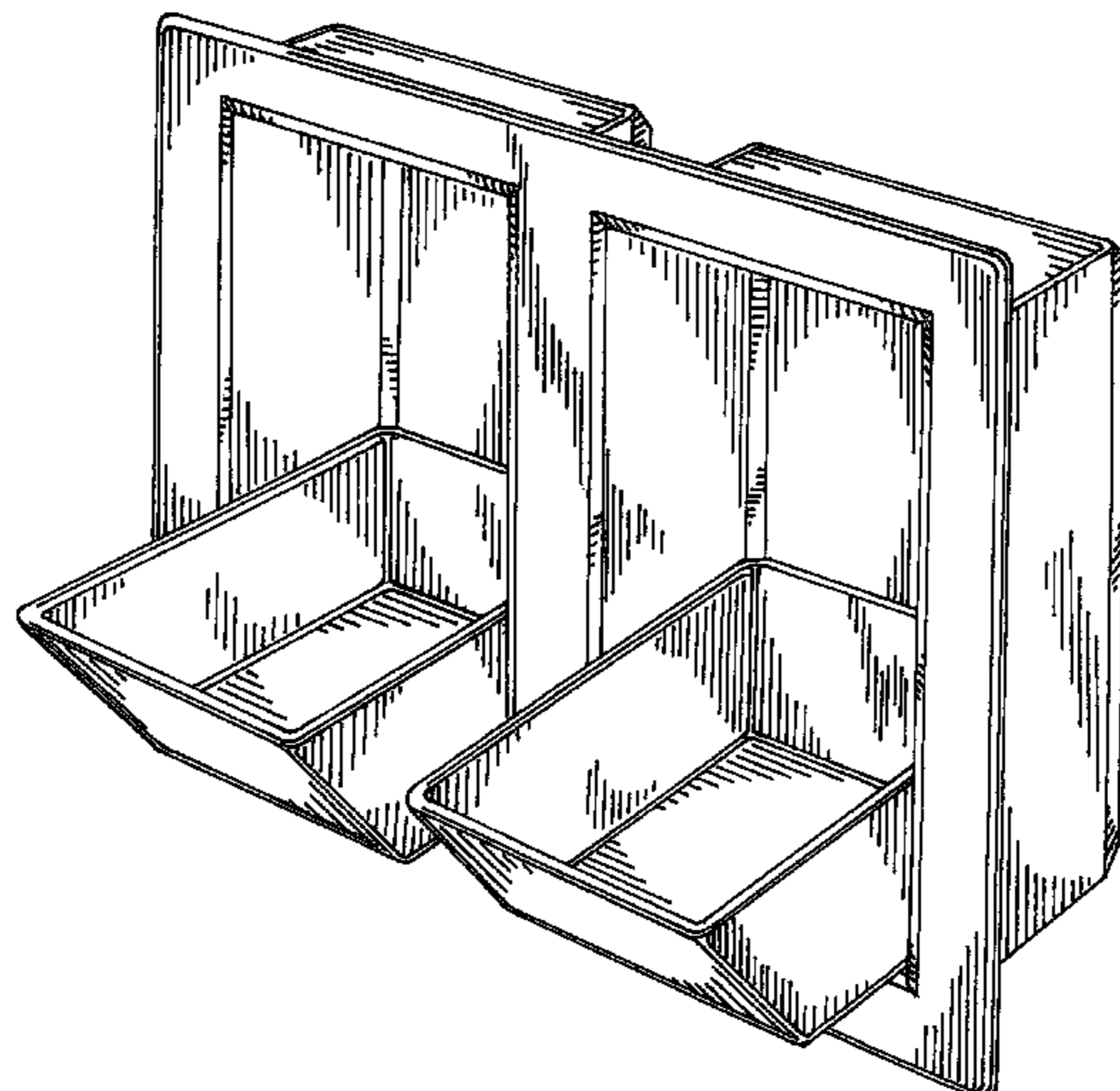
FIG. 12 is a front view of one of the bowl components;

FIG. 13 is a right side view of one of the bowl components;

FIG. 14 is a left side view of one of the bowl components; and,

FIG. 15 is a rear view of one of the bowl components.

1 Claim, 9 Drawing Sheets



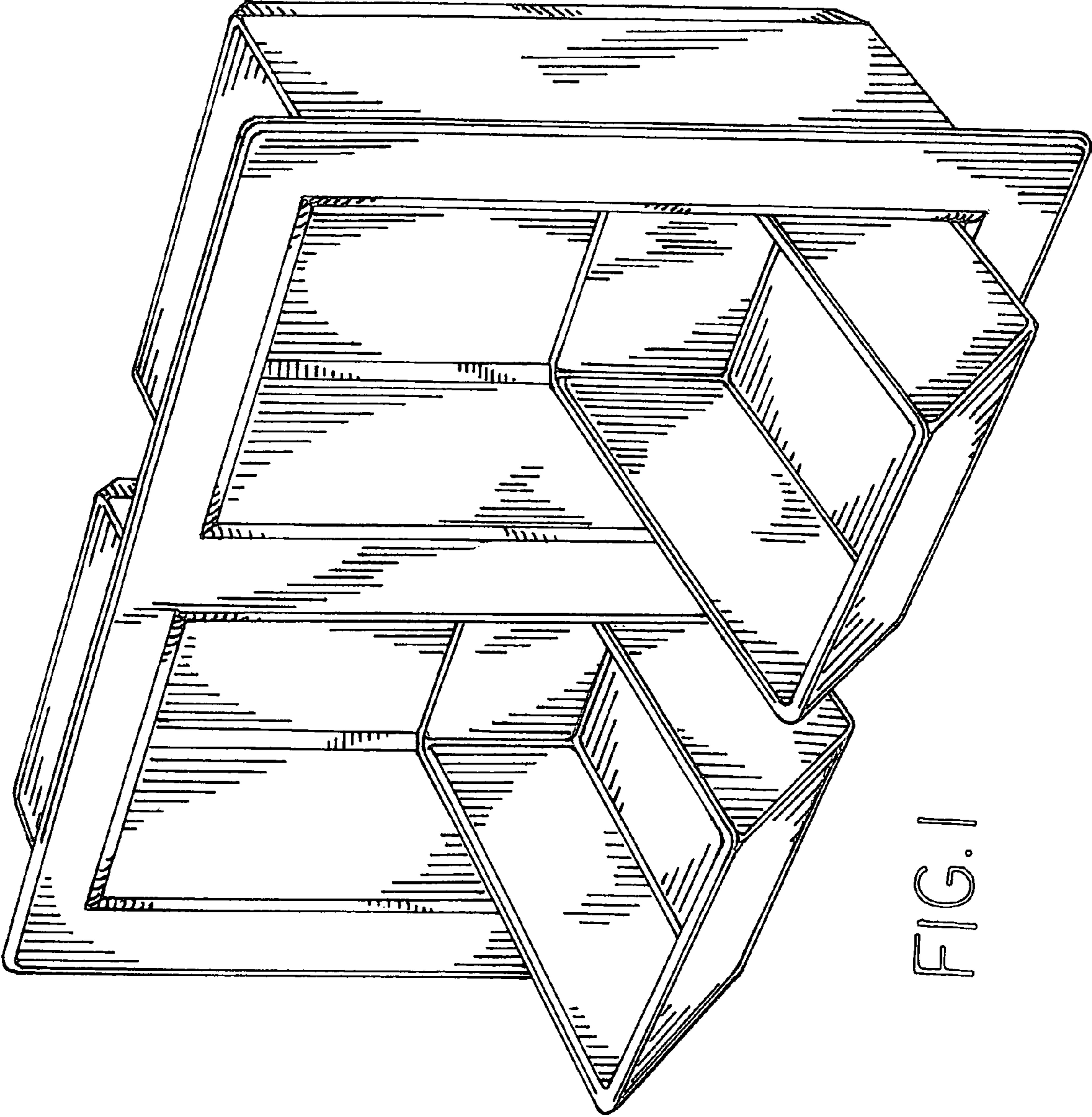


FIG. 1

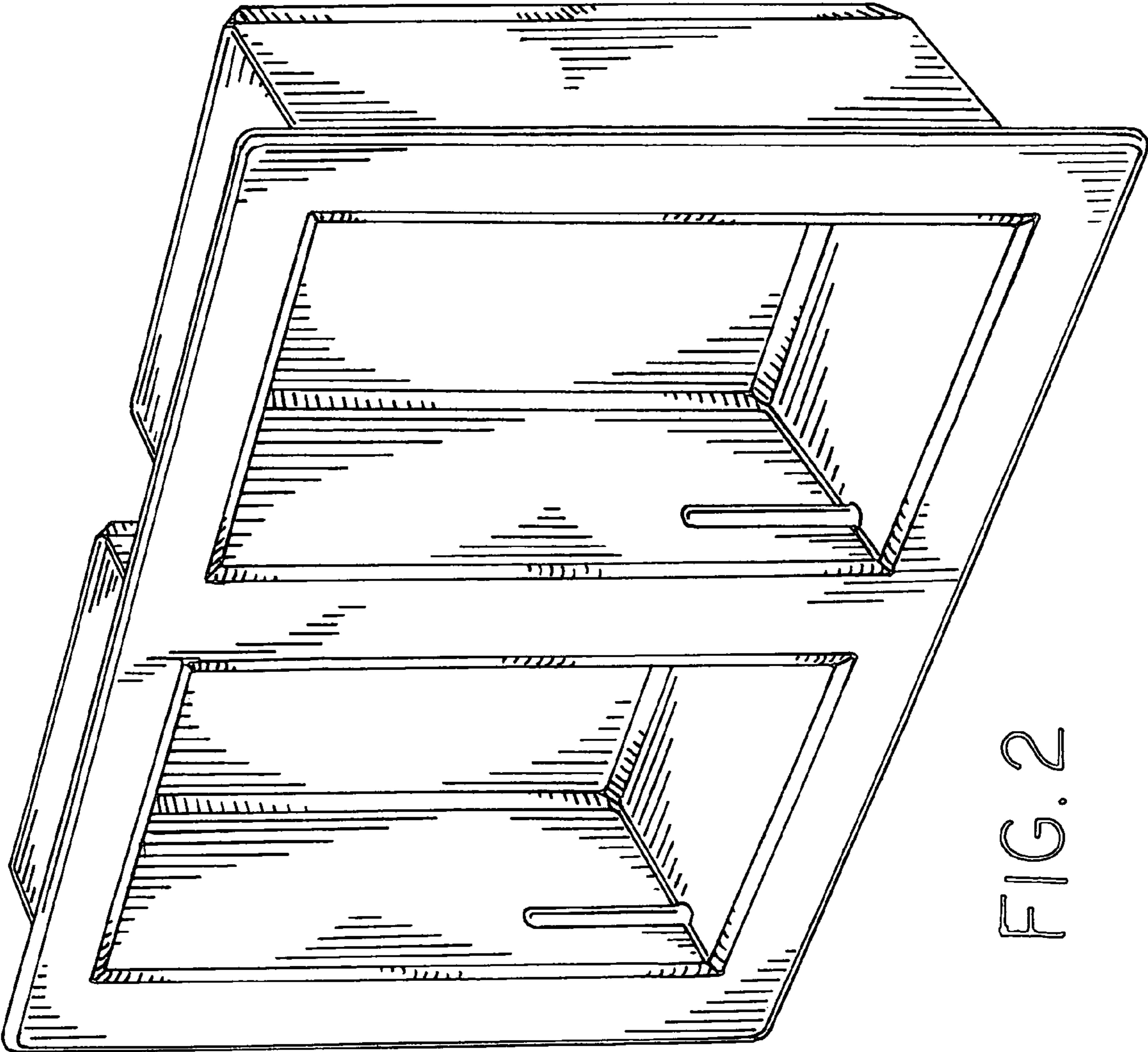


FIG. 2

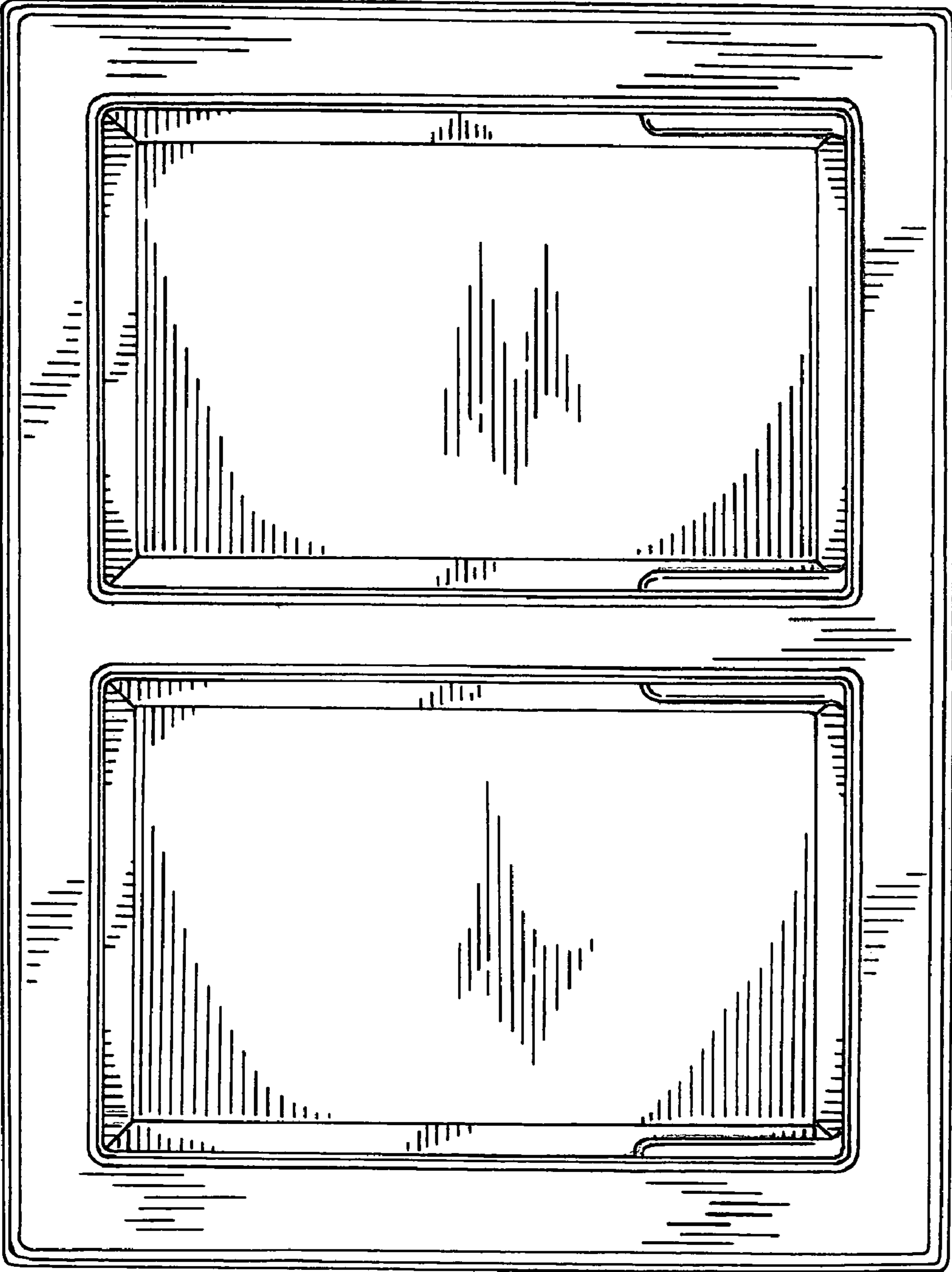


FIG. 3

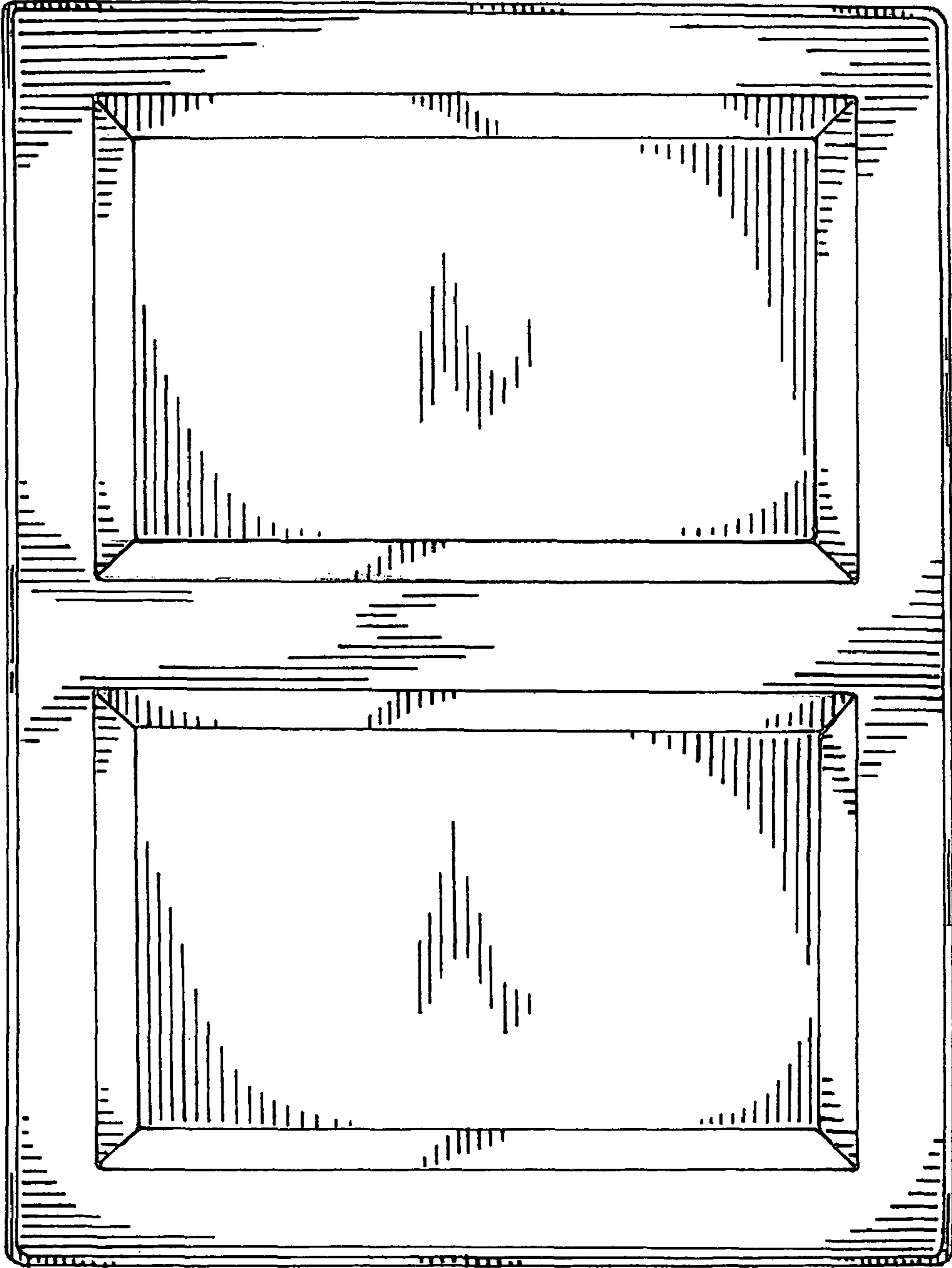


FIG. 4

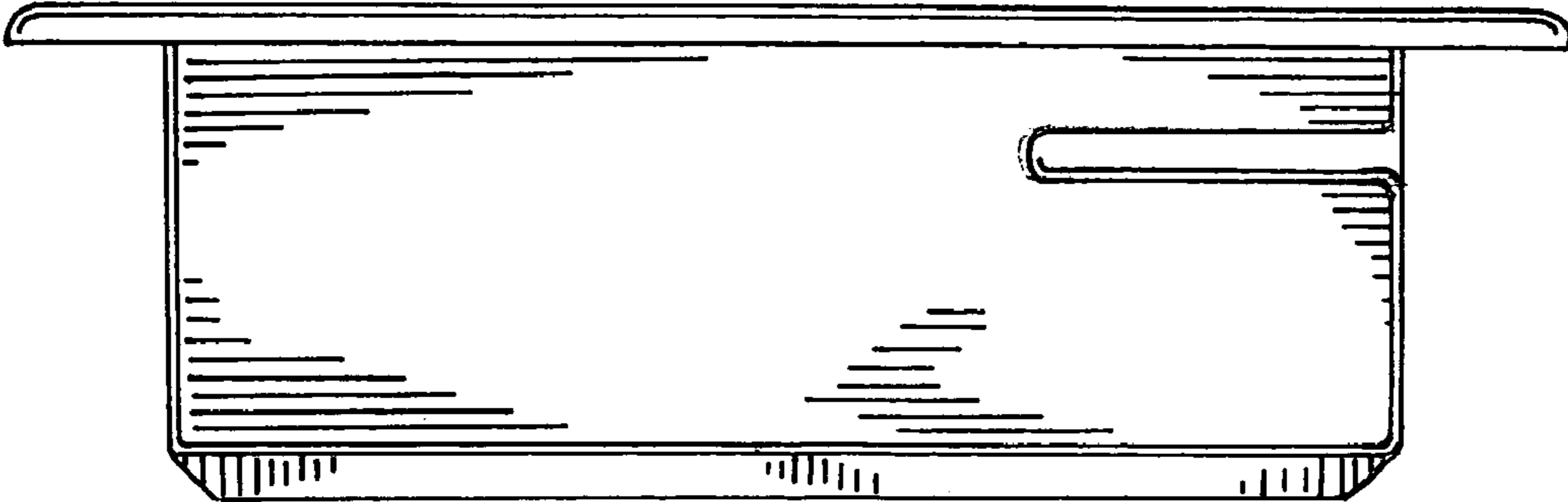


FIG. 6

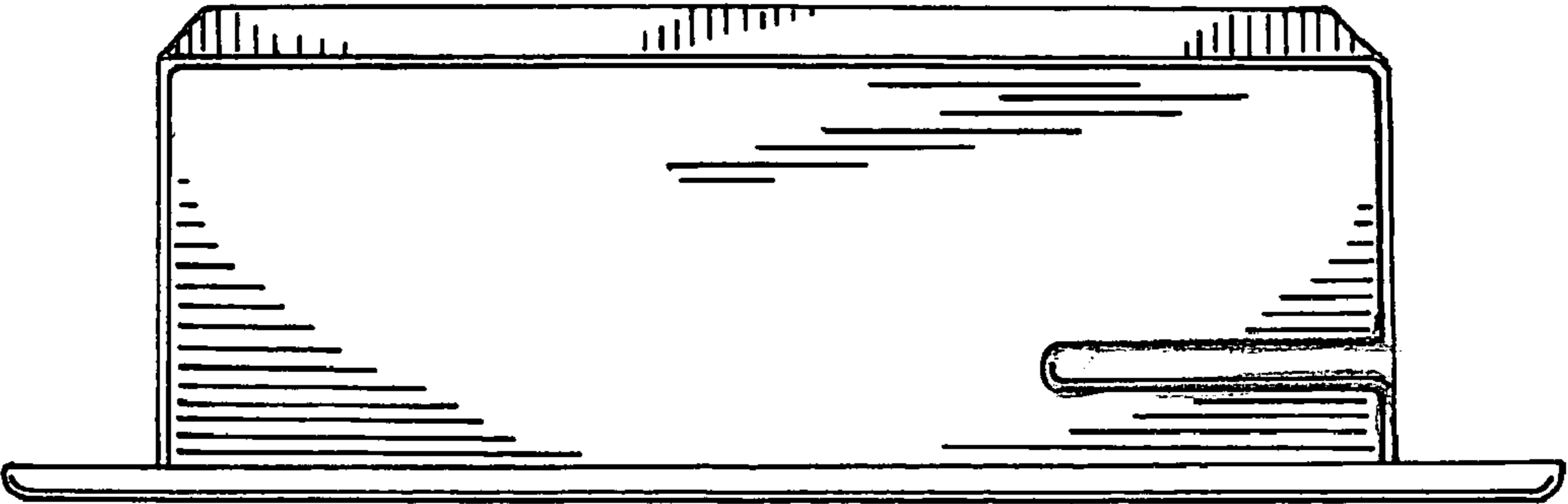


FIG. 5

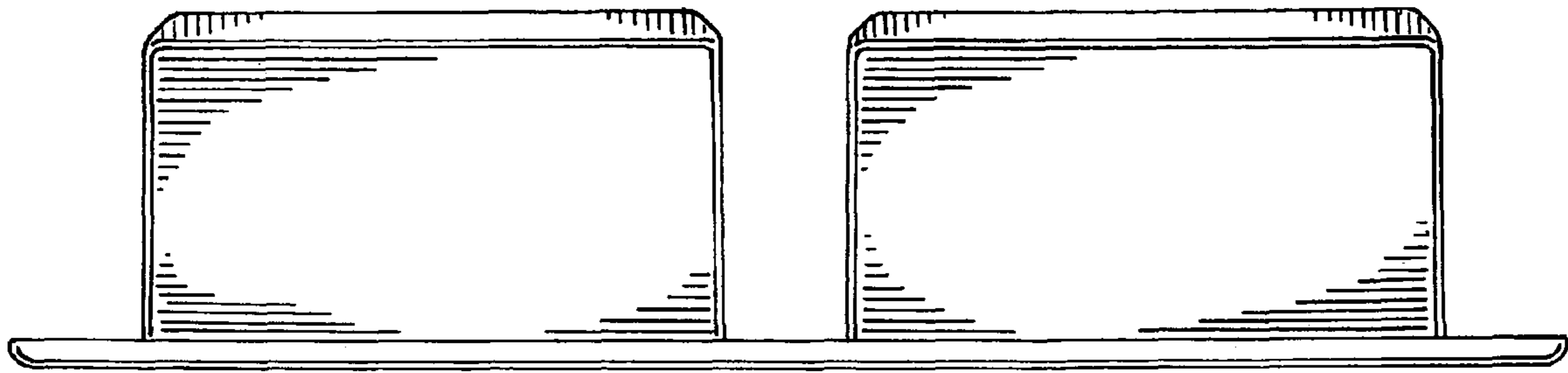


FIG. 7

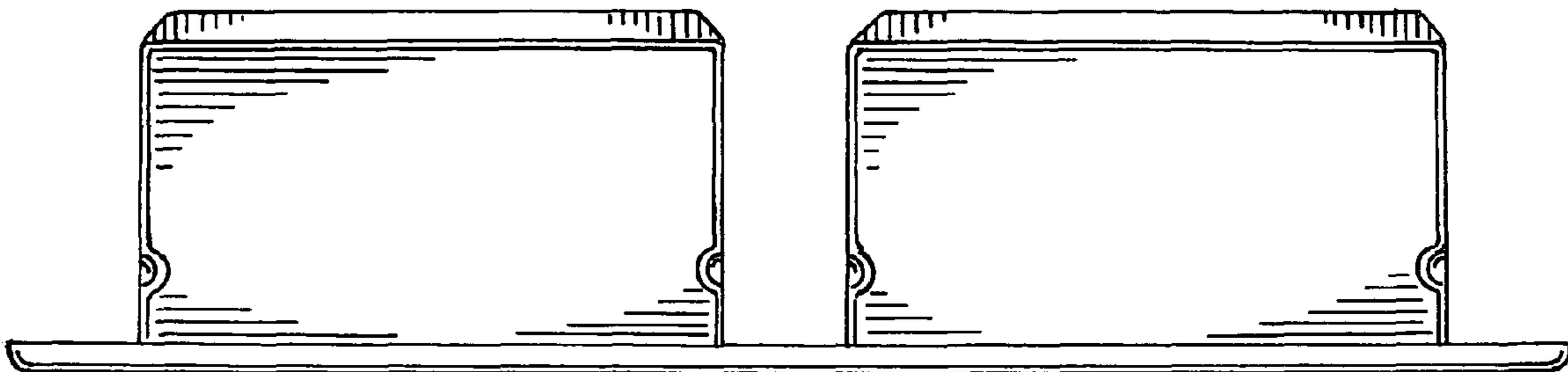


FIG. 8

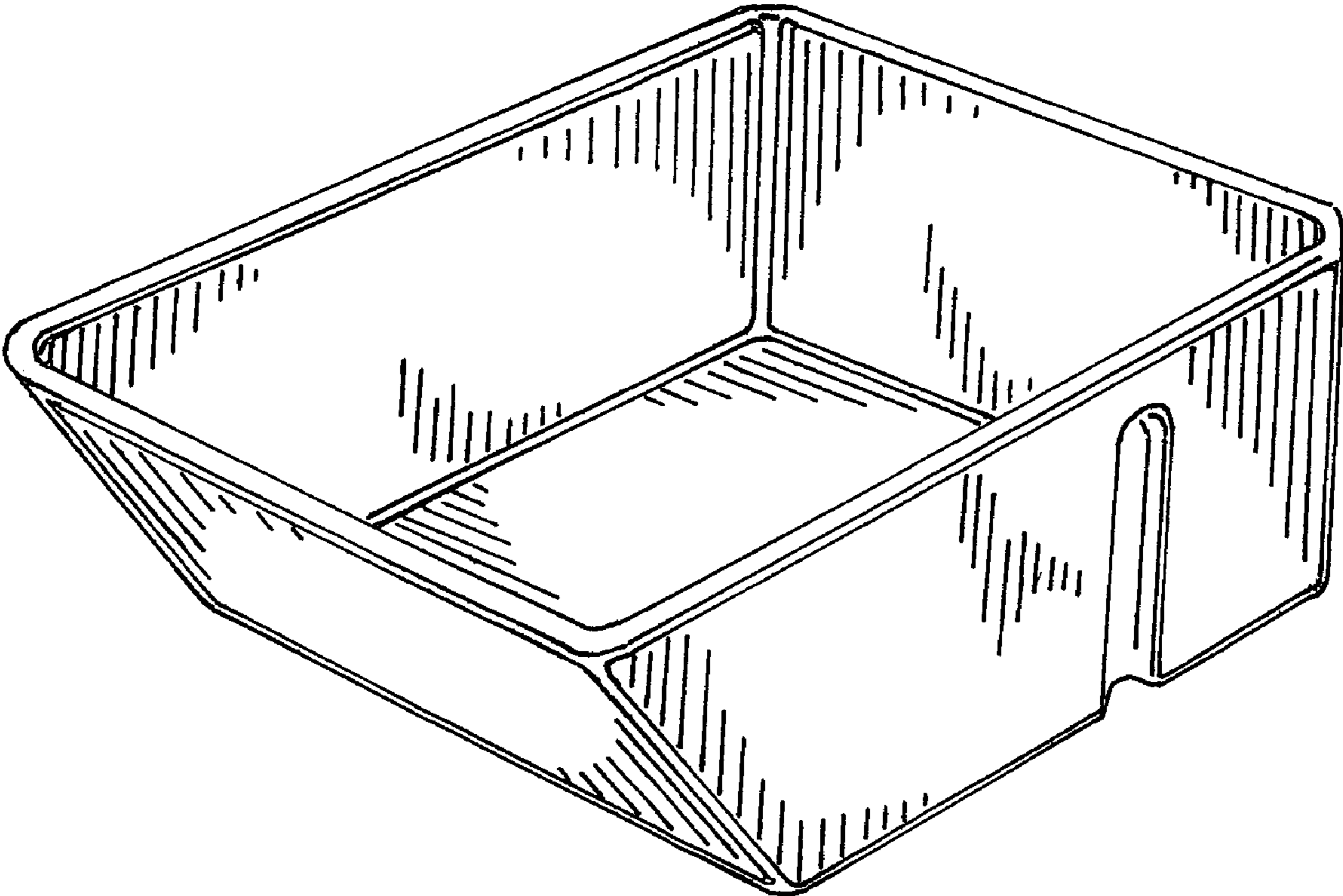


FIG. 9

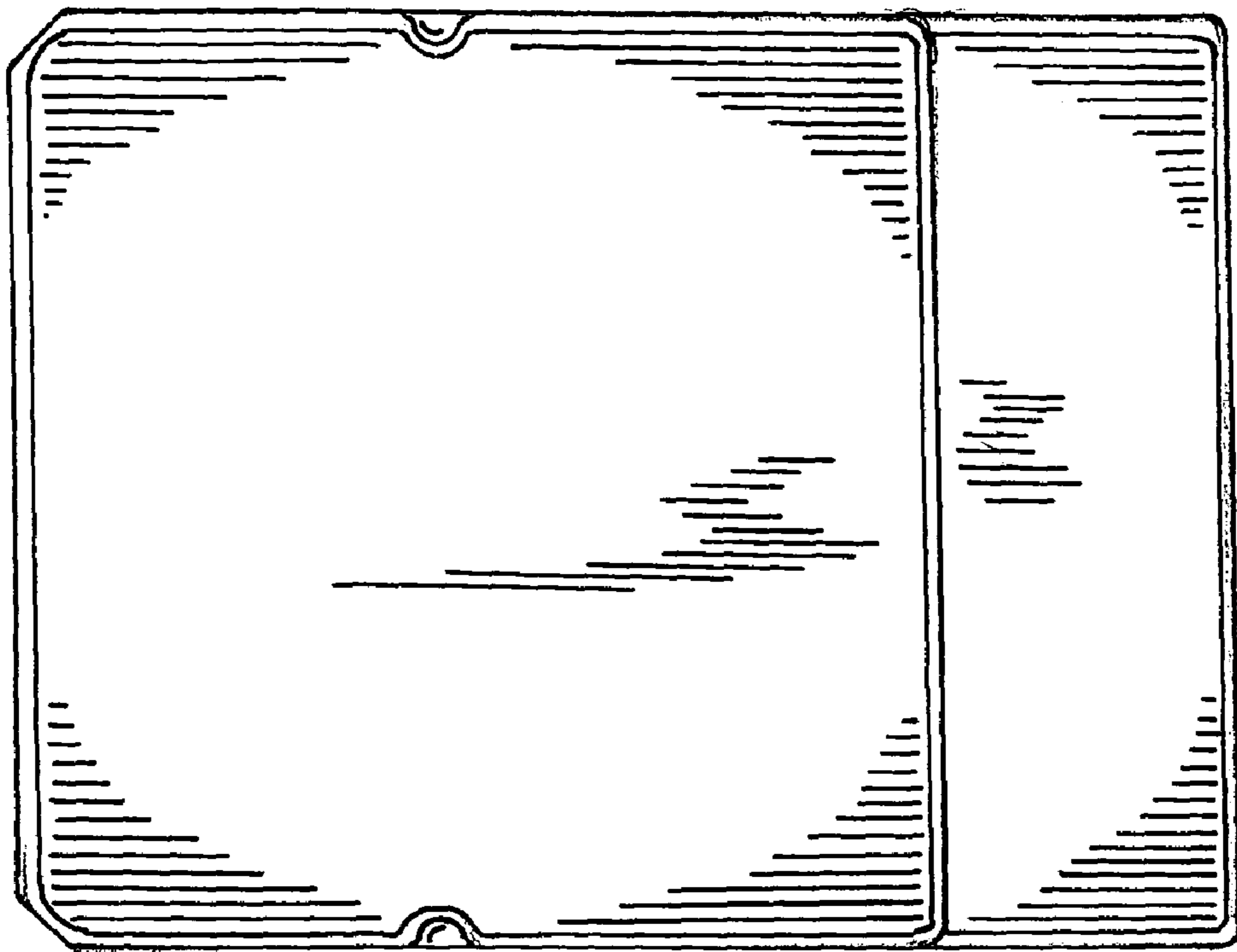


FIG. 11

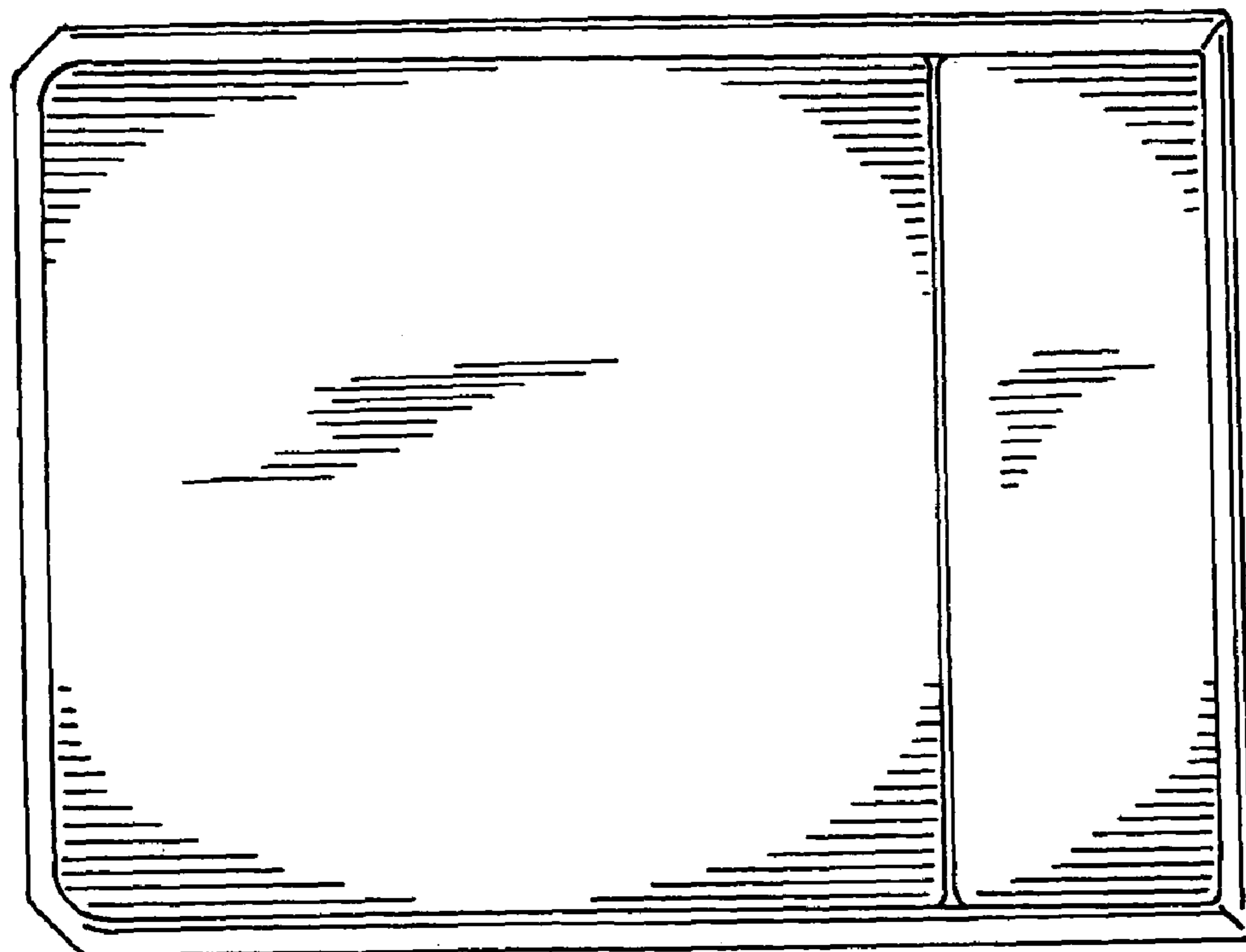


FIG. 10

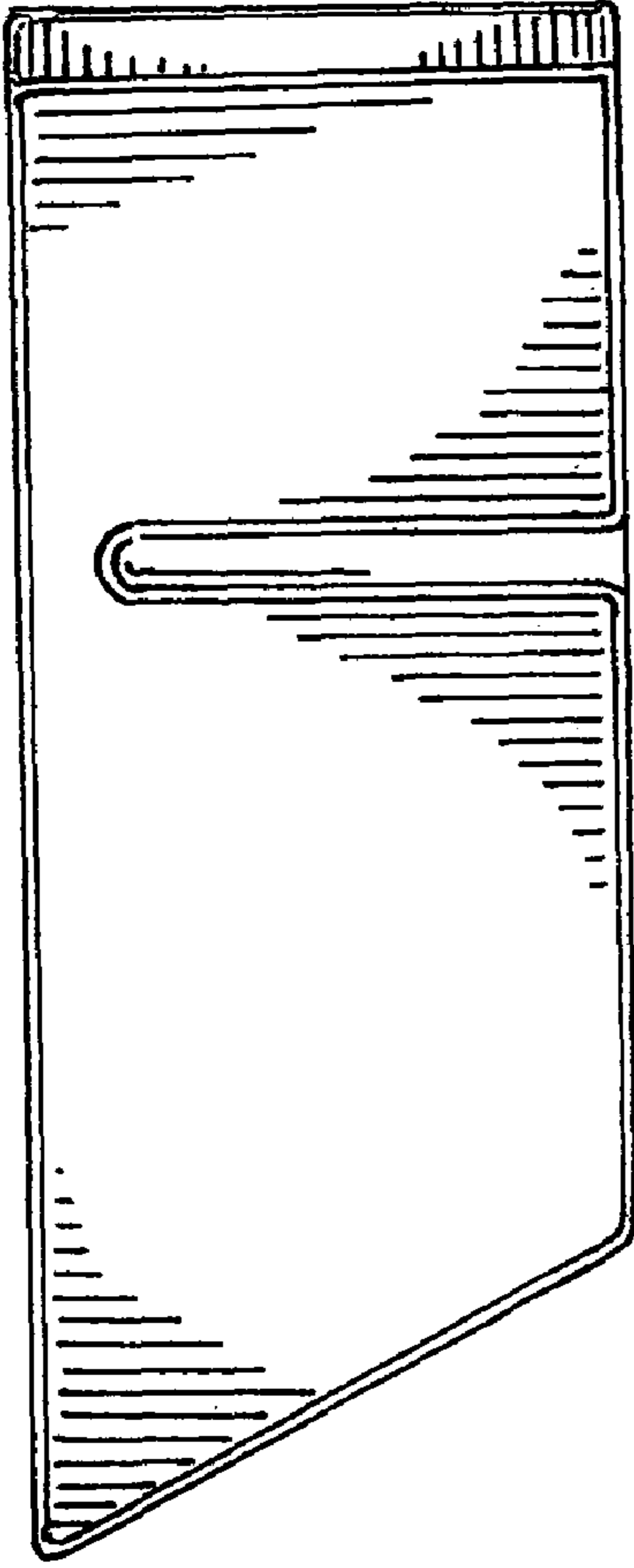


FIG. 13

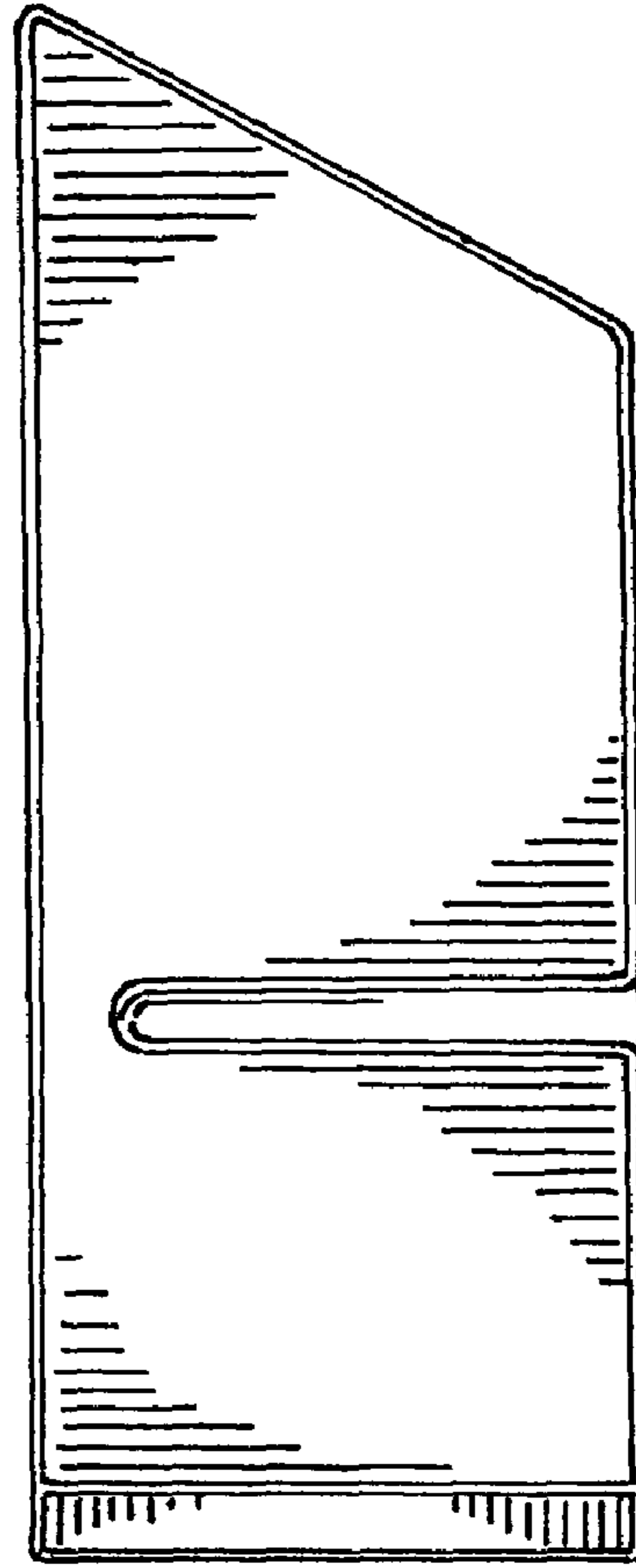


FIG. 14

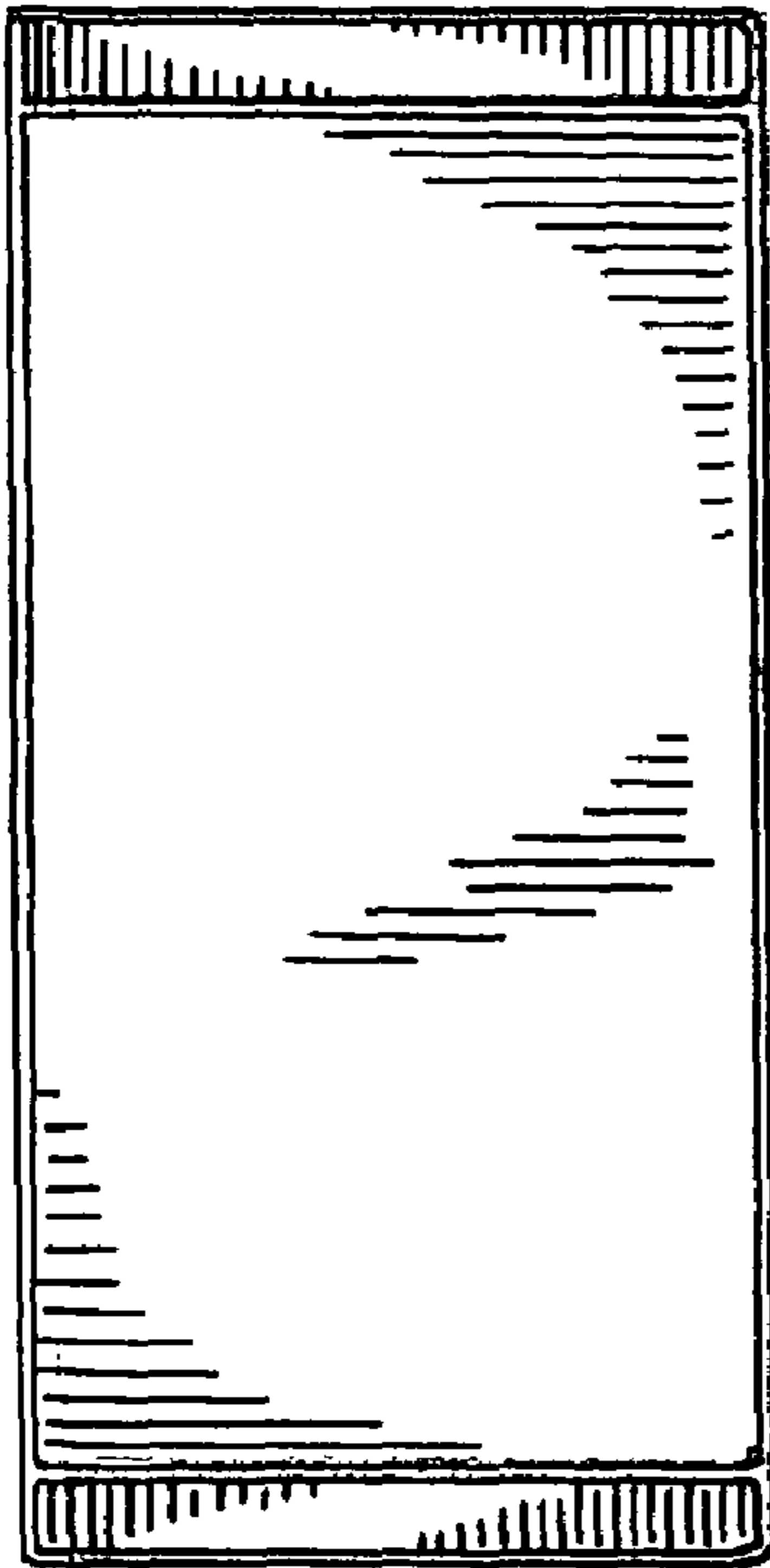


FIG. 12

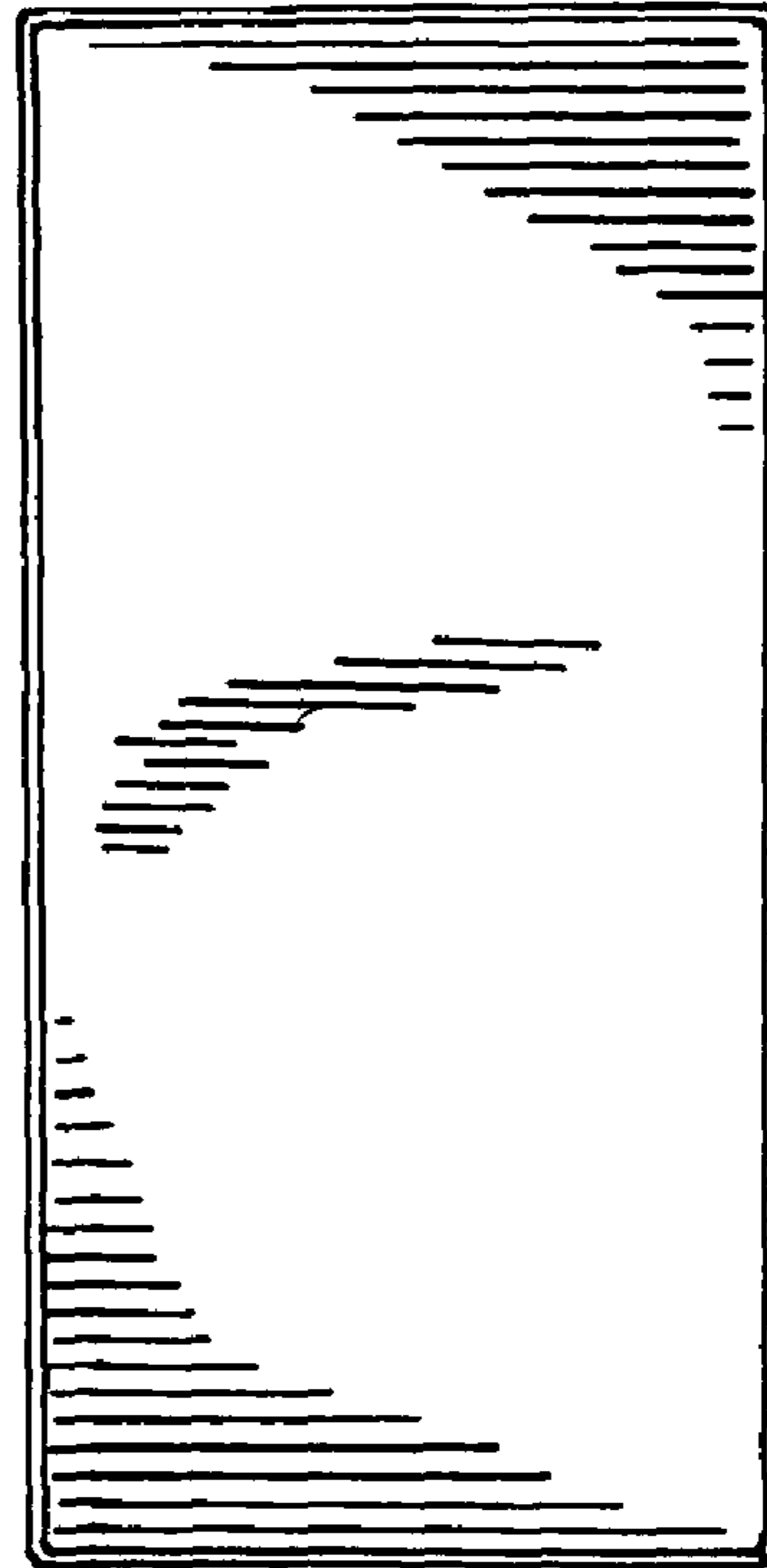


FIG. 15