

US00D637358S

(12) **United States Design Patent**  
**Greenthal**

(10) **Patent No.:** **US D637,358 S**

(45) **Date of Patent:** **\*\* May 3, 2011**

(54) **BEEHIVE HONEY COMB SUSPENDING FRAME**

(76) **Inventor:** **Steven M. Greenthal**, Buena Park, CA (US)

(\*\*) **Term:** **14 Years**

(21) **Appl. No.:** **29/370,713**

(22) **Filed:** **Aug. 25, 2010**

(51) **LOC (9) Cl.** ..... **30-02**

(52) **U.S. Cl.** ..... **D30/108; D30/199**

(58) **Field of Classification Search** ..... D30/199, D30/108-113, 117; 119/508, 500, 501, 498, 119/482, 161, 481, 483, 475, 484, 246, 165, 119/453, 452, 248, 269, 201, 502; 449/17, 449/41-45, 50, 3, 2, 10, 18, 21, 35, 6, 24, 449/36; 6/2 R, 2 A, 10, 11, 1; 40/209, 201, 40/200, 154, 155, 210, 618; D12/193; D20/42; 160/371; 403/230; 362/497; 340/436, 93.5; 248/488; 701/1

See application file for complete search history.

736,226 A *	8/1903	Danzenbaker	449/16
846,396 A *	3/1907	Calvert et al.	449/42
851,882 A *	4/1907	Harmison	449/21
867,891 A *	10/1907	Marbach	449/21
874,579 A *	12/1907	Eckman	449/21
891,585 A *	6/1908	Aspinwall	449/17
1,042,907 A *	10/1912	Gebhart	449/34
1,080,152 A *	12/1913	Matthews	449/21
1,164,192 A *	12/1915	Johnson	449/42
1,184,506 A *	5/1916	Bacon	449/42
1,235,576 A *	8/1917	Knights	449/42
1,321,601 A *	11/1919	Crease	449/42
1,363,149 A *	12/1920	Mueller	449/50
1,393,757 A *	10/1921	Crease	449/27
1,411,094 A *	3/1922	Hartman	449/42
1,423,212 A *	7/1922	Hall	449/42
1,461,950 A *	7/1923	Toth	449/10
1,518,004 A *	12/1924	Sebelin	449/42

(Continued)

*Primary Examiner* — Susan Moon Lee

(74) *Attorney, Agent, or Firm* — I. Michael Bak-Boychuk

(57) **CLAIM**

I claim the ornamental design for a beehive honey comb suspending frame, as shown and described.

(56) **References Cited**

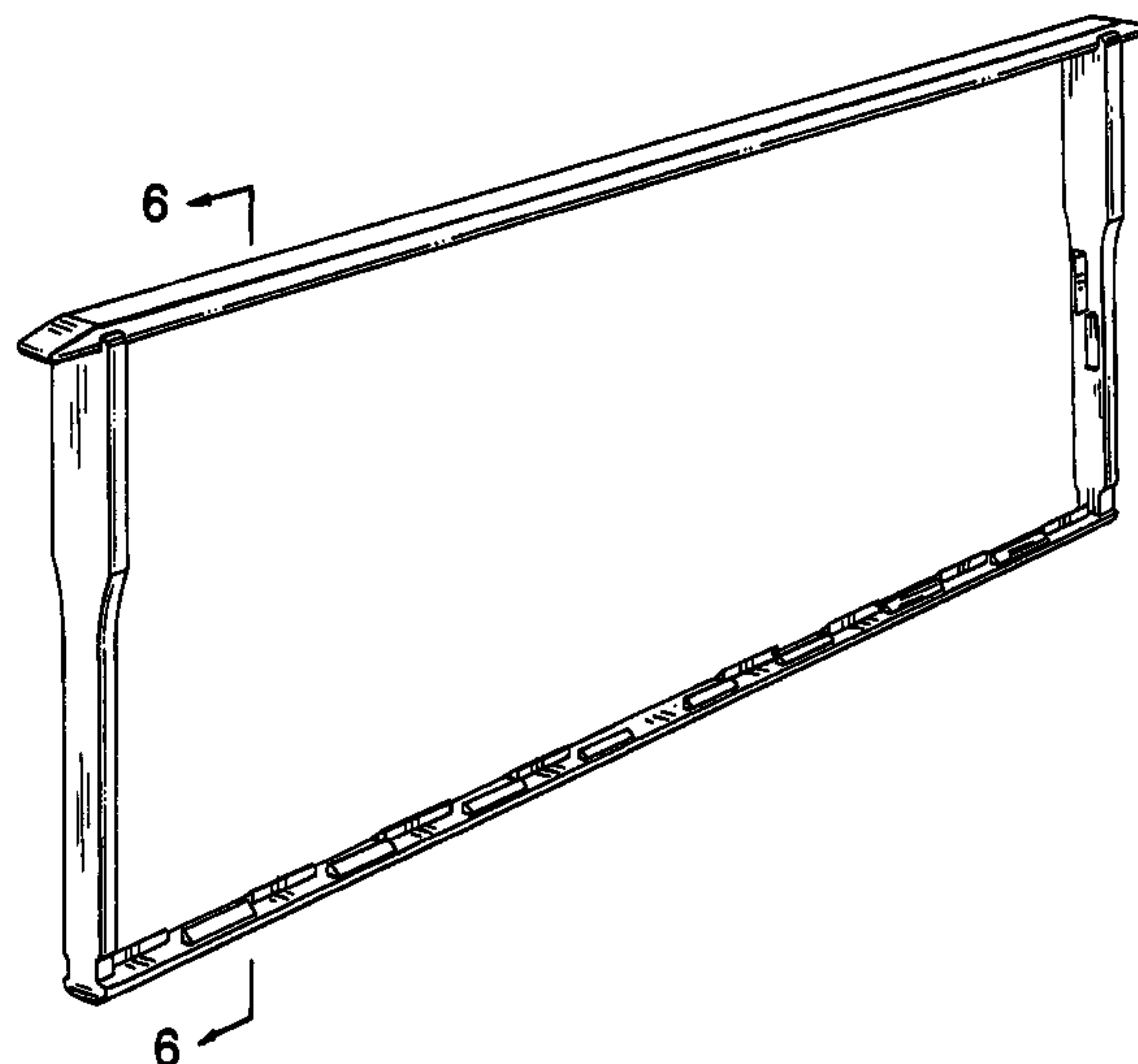
U.S. PATENT DOCUMENTS

31,658 A *	3/1861	Daniels et al.	449/41
82,628 A *	9/1868	Nare	449/42
92,348 A *	7/1869	Paddock et al.	449/42
120,709 A *	11/1871	Burnham	449/36
121,840 A *	12/1871	Bathurst	449/35
142,318 A *	8/1873	Wright	449/41
142,537 A *	9/1873	Walton et al.	449/24
143,383 A *	9/1873	Rasey	449/42
159,893 A *	2/1875	Bullock	449/42
271,197 A *	1/1883	Fife et al.	449/10
335,153 A *	2/1886	Shuck	449/50
349,126 A *	9/1886	Tefft	449/42
375,261 A *	12/1887	Cobb	449/17
406,972 A *	7/1889	Tinker	449/8
519,652 A *	5/1894	Taylor	449/25
521,876 A *	6/1894	Danzenbaker	449/17
600,245 A *	3/1898	Danzenbaker	449/17
660,574 A *	10/1900	Horner	449/42

**DESCRIPTION**

FIG. 1 is a top view of a beehive honey comb suspending frame showing my claimed design; FIG. 2 is a front view of a beehive honey comb suspending frame showing my claimed design, the rear view being the mirror image thereof; FIG. 3 is a bottom view of the beehive honey comb suspending frame; FIG. 4 is a first end view of the beehive honey comb suspending frame, the second end view being the mirror image thereof; FIG. 5 is a perspective view of the beehive honey comb suspending frame; and, FIG. 6 is a sectional view of the beehive honey comb suspending frame taken along line 6—6 of FIG. 5.

**1 Claim, 2 Drawing Sheets**



# US D637,358 S

Page 2

## U.S. PATENT DOCUMENTS

1,556,254	A *	10/1925	Short	449/28	3,683,529	A *	8/1972	Reed	40/209
1,564,773	A *	12/1925	Frater	449/45	3,806,969	A *	4/1974	Varama	449/42
1,638,064	A *	8/1927	Shook	449/58	3,885,260	A *	5/1975	Byrne et al.	449/45
1,650,170	A *	11/1927	Weaver	449/45	3,900,979	A *	8/1975	Eggenschwiler	40/209
1,672,853	A *	6/1928	Settle	449/44	4,077,075	A *	3/1978	Schade	449/43
1,725,448	A *	8/1929	Erdmann	449/42	4,094,026	A *	6/1978	Simoni	449/6
1,773,221	A *	8/1930	Davis	449/42	4,185,343	A *	1/1980	Ross	449/17
1,787,840	A *	1/1931	Schmidt	449/45	4,186,458	A *	2/1980	Caviglia, III	449/43
1,820,500	A *	8/1931	Sanders	449/42	4,195,379	A *	4/1980	Krasnik	449/17
1,947,706	A *	2/1934	Frater	449/42	4,216,557	A *	8/1980	Golde	449/43
1,992,664	A *	2/1935	Hanson	449/17	4,234,985	A *	11/1980	Pierce	449/43
2,064,349	A *	12/1936	Knorr	449/45	4,261,068	A *	4/1981	Cho	449/45
2,201,100	A *	5/1940	Rushing	449/45	4,267,613	A *	5/1981	Hester	449/42
2,276,938	A *	3/1942	Culbertson	449/45	4,435,865	A *	3/1984	Hogg	449/17
2,300,772	A *	11/1942	Borland	449/36	4,483,031	A *	11/1984	Shaparew	449/14
2,458,838	A *	1/1949	Dunham	449/42	4,865,419	A *	9/1989	Shepherd	359/440
2,474,382	A *	6/1949	Smith et al.	449/42	5,145,436	A *	9/1992	Little	449/43
2,604,643	A *	7/1952	Hamilton	449/42	5,162,014	A *	11/1992	Moore et al.	449/2
2,641,002	A *	6/1953	Erdmann	449/42	5,628,671	A *	5/1997	Stevens	449/6
2,717,432	A *	9/1955	Willard	449/42	5,813,640	A *	9/1998	Koch et al.	248/222.11
2,723,402	A *	11/1955	France	449/18	6,500,046	B2 *	12/2002	Jang	449/3
2,919,450	A *	1/1960	Singer	449/42	6,530,819	B1 *	3/2003	Rovera	449/44
3,088,134	A *	5/1963	Abel	449/6	6,746,305	B2 *	6/2004	Malacsina	449/5
3,088,135	A *	5/1963	Covington	449/43	7,390,238	B2 *	6/2008	Le Pabic	449/2
3,105,978	A *	10/1963	Krekel	449/44	D590,311	S *	4/2009	Pacleb	D12/193
3,187,353	A *	6/1965	Ackerman	449/17	2002/0078608	A1 *	6/2002	Paulhill	40/201
3,231,907	A *	2/1966	Covington	449/43	2002/0137429	A1 *	9/2002	Jang	449/42
3,340,639	A *	9/1967	Savage	40/209	2005/0282466	A1 *	12/2005	Pointer	449/2
3,668,724	A *	6/1972	Cho	449/45	2009/0227180	A1 *	9/2009	Papalia	449/43

\* cited by examiner

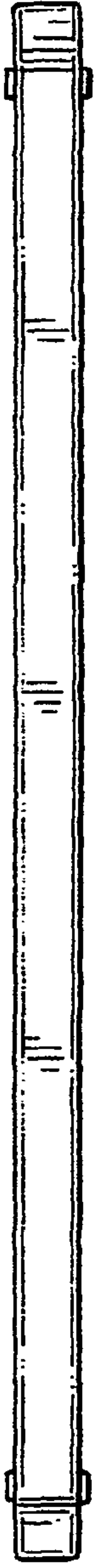


Fig. 1

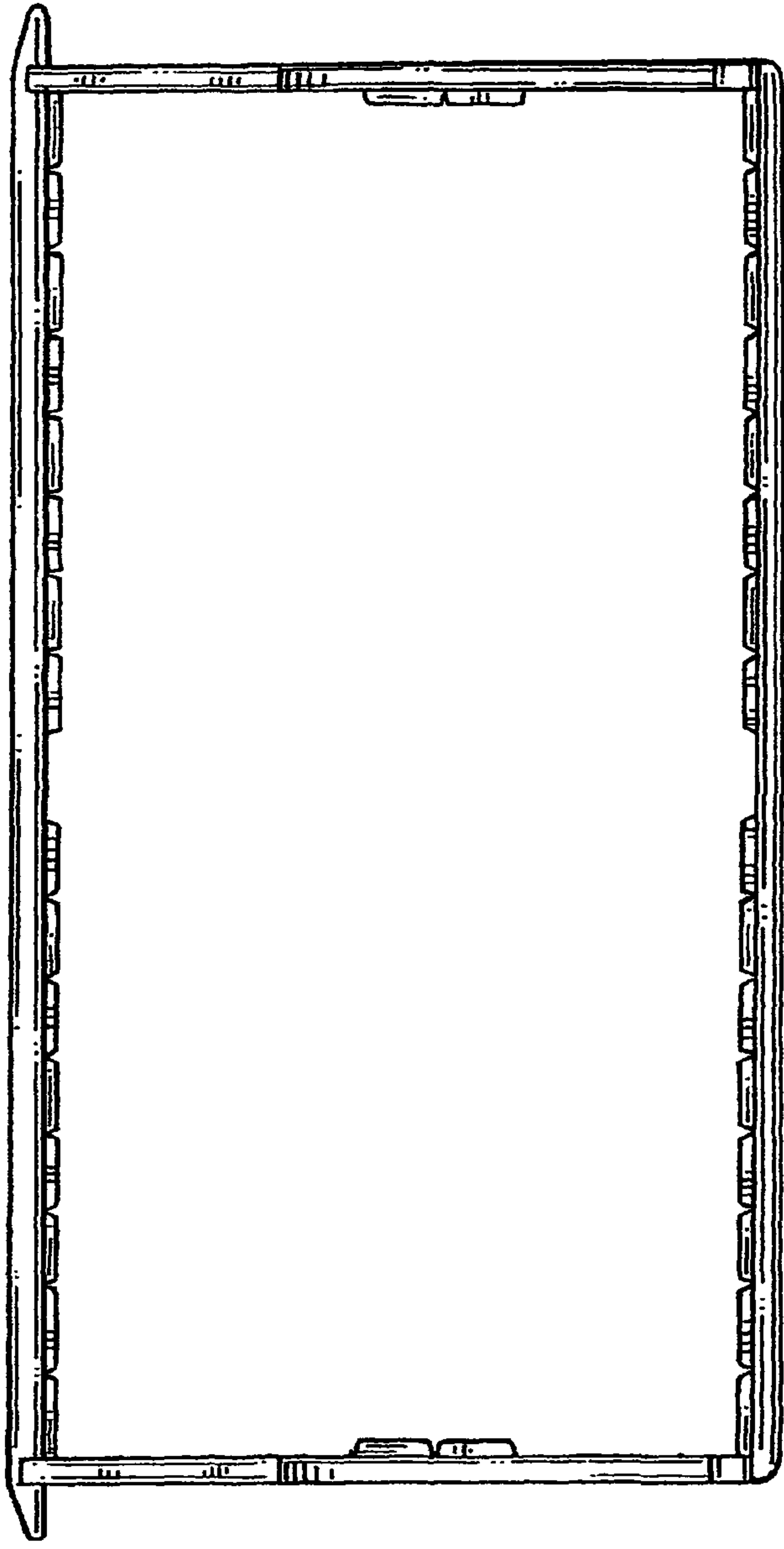


Fig. 2

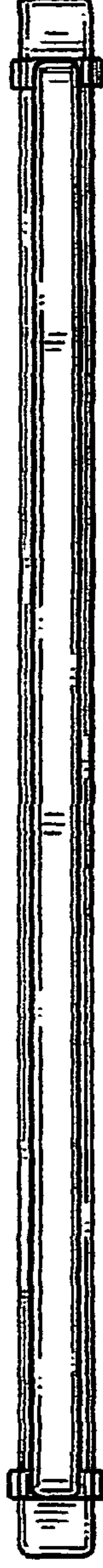


Fig. 3

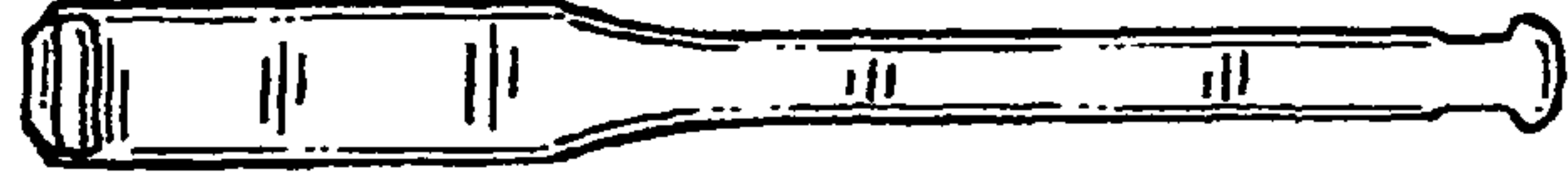


Fig. 4



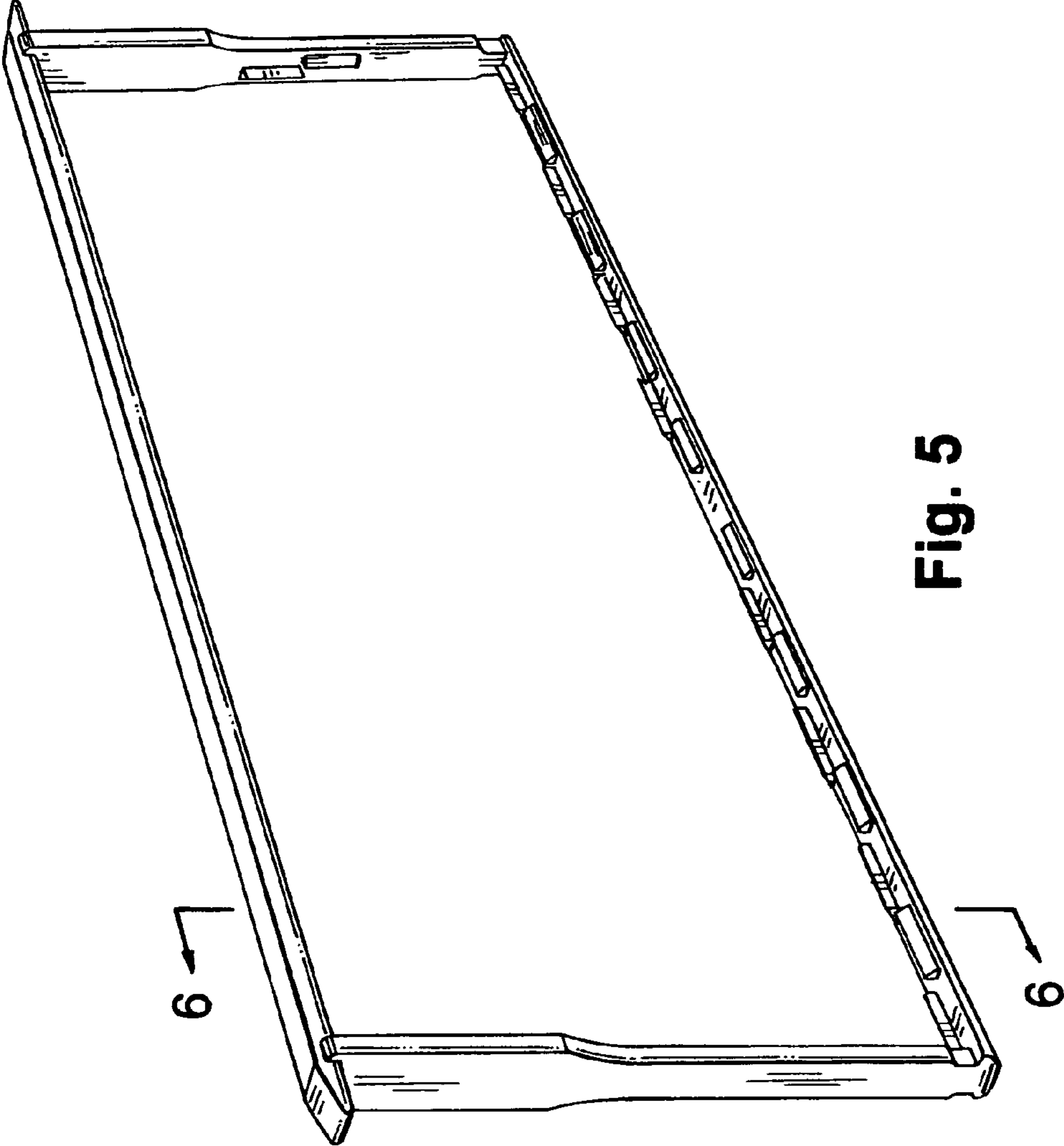


Fig. 5



Fig. 6