



US00D637352S

(12) **United States Design Patent**
Li et al.

(10) **Patent No.:** **US D637,352 S**
(45) **Date of Patent:** **** May 3, 2011**

(54) **FINGERNAIL POLISH CURING LAMP**

(75) Inventors: **Yu-Jen Li**, Taipei Hsieng (TW);
Kuo-Chang Chang, Taipei Hsieng (TW);
Fu-Ju Sheu, Taipei Hsieng (TW);
Szu-Hua Wu, Taipei Hsieng (TW);
Pei-Chen Yang, Taipei Hsieng (TW);
Ya-Wen Wu, Taipei Hsieng (TW)

(73) Assignee: **Cosmex Co., Ltd.**, Taipei Hsieng (TW)

(**) Term: **14 Years**

(21) Appl. No.: **29/361,276**

(22) Filed: **May 8, 2010**

(51) **LOC (9) Cl.** **28-03**

(52) **U.S. Cl.** **D28/62**

(58) **Field of Classification Search** D28/54.1,
D28/58, 62, 56; 250/504 R-504 H; 132/73,
132/73.5-73.6; 34/202, 90

See application file for complete search history.

(56) **References Cited**

U.S. PATENT DOCUMENTS

4,731,541 A * 3/1988 Shoemaker 250/504 R
D310,724 S * 9/1990 Jackson D28/54.1
5,130,551 A * 7/1992 Nafziger et al. 250/504 H

5,249,367 A * 10/1993 Nafziger et al. 34/202
D381,464 S * 7/1997 Schaeffer et al. D28/54.1
D431,354 S * 10/2000 Smith D28/56
D431,682 S * 10/2000 Seo D28/54.1
D450,389 S * 11/2001 Chang D24/210
D452,045 S * 12/2001 Ferber D28/56
6,518,583 B1 * 2/2003 Hennig 250/504 R
6,762,425 B1 * 7/2004 Strait 250/504 R
D532,931 S * 11/2006 Chang D28/54.1
2008/0289644 A1 * 11/2008 Bernecker 132/73.5

* cited by examiner

Primary Examiner — Jennifer Rivard

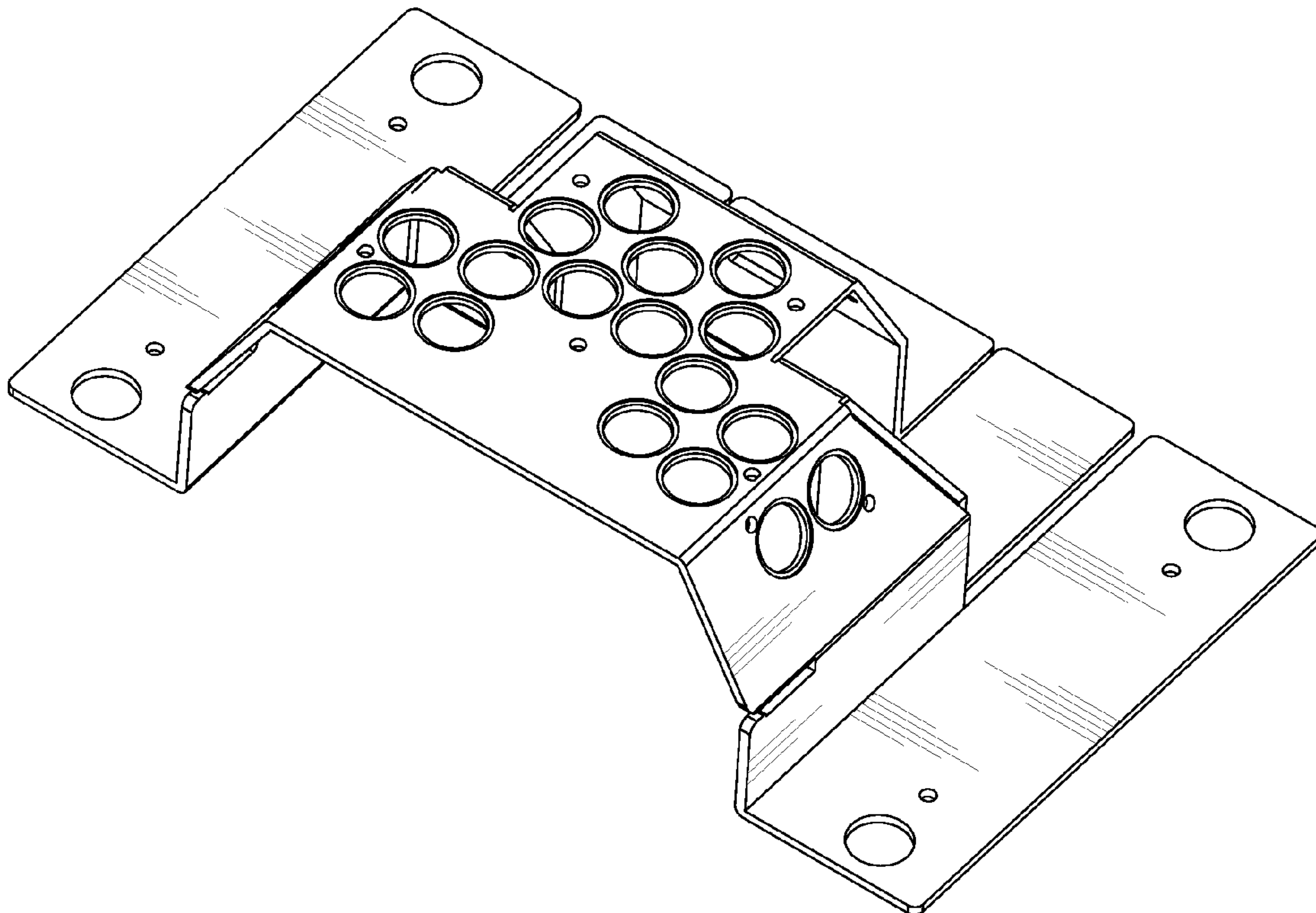
(57) **CLAIM**

The ornamental design for a fingernail polish curing lamp, as shown and described.

DESCRIPTION

FIG. 1 is a perspective view of a fingernail polish curing lamp;
FIG. 2 is a front elevational view thereof;
FIG. 3 is a rear elevational view thereof;
FIG. 4 is a left elevational view thereof;
FIG. 5 is a right elevational view thereof;
FIG. 6 is a top view thereof;
FIG. 7 is a bottom view thereof; and,
FIG. 8 is a perspective view from other side thereof.

1 Claim, 8 Drawing Sheets



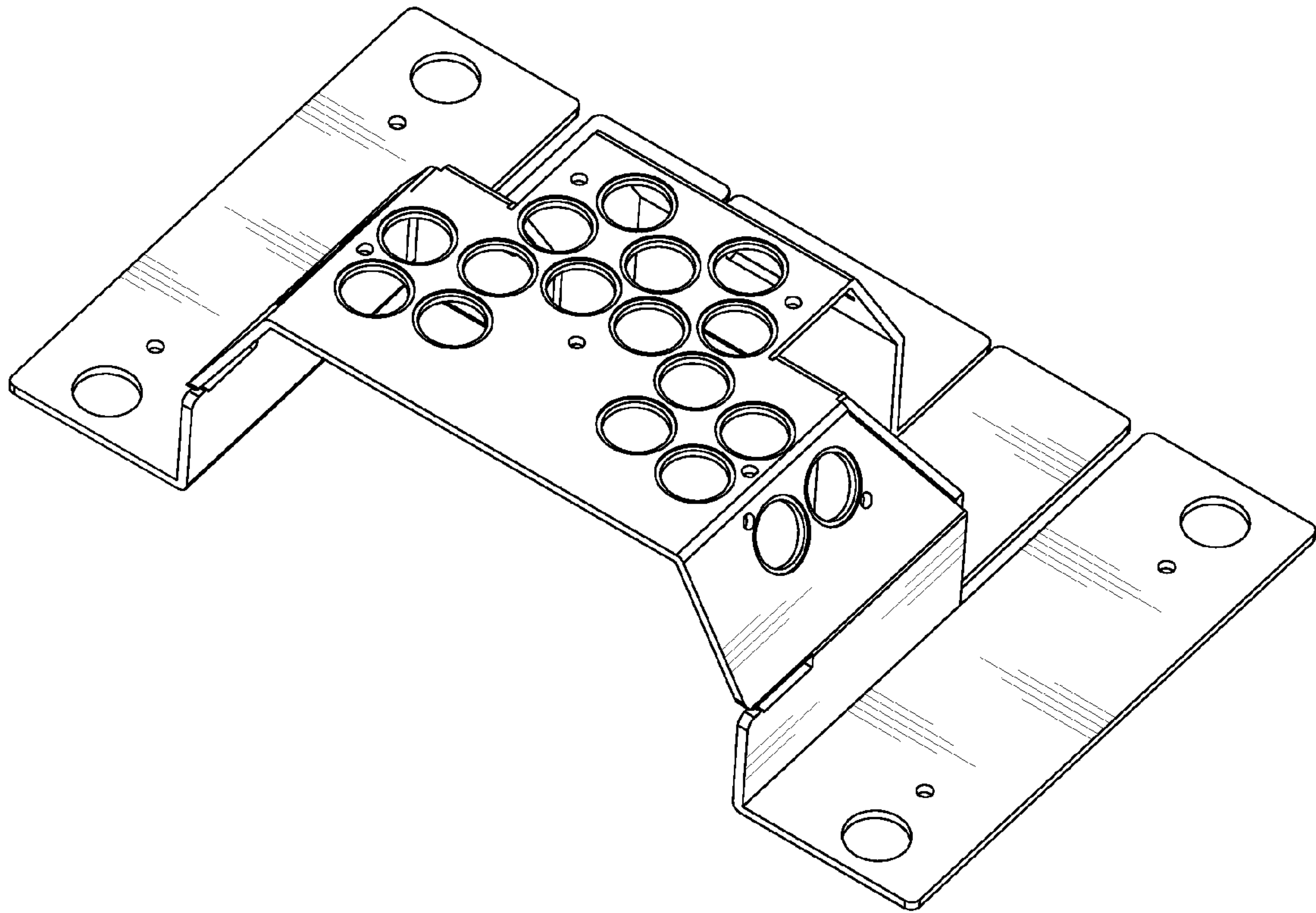


FIG. 1

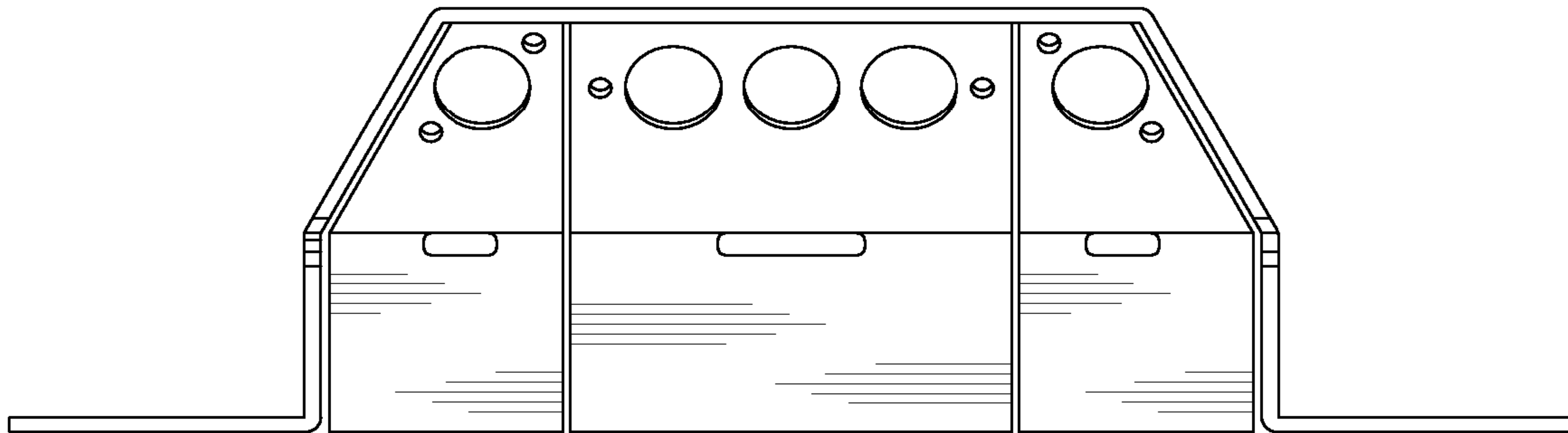


FIG. 2

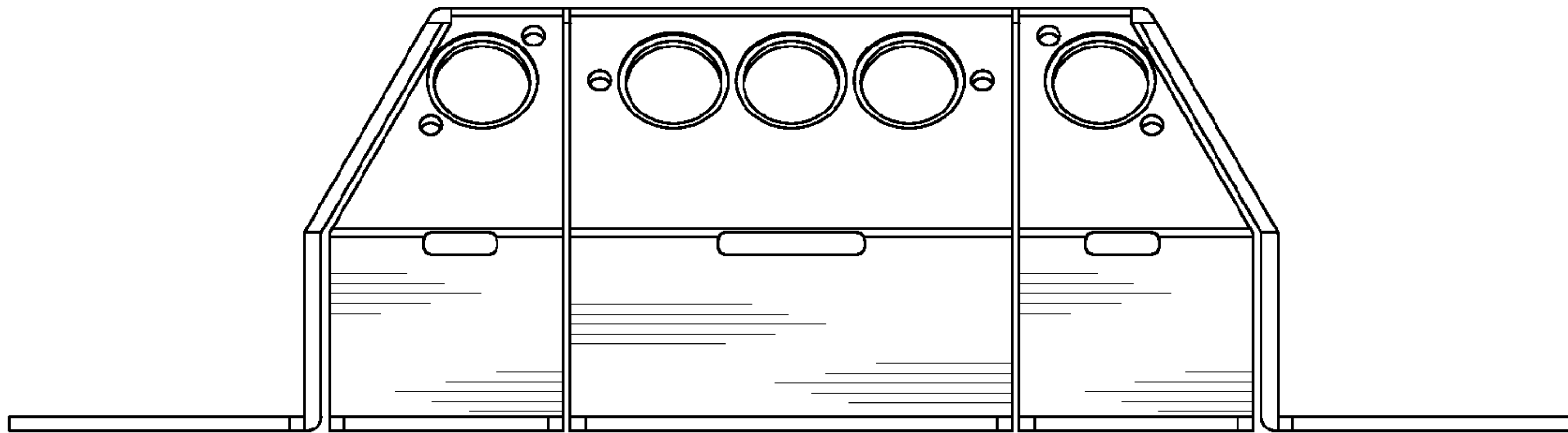


FIG. 3

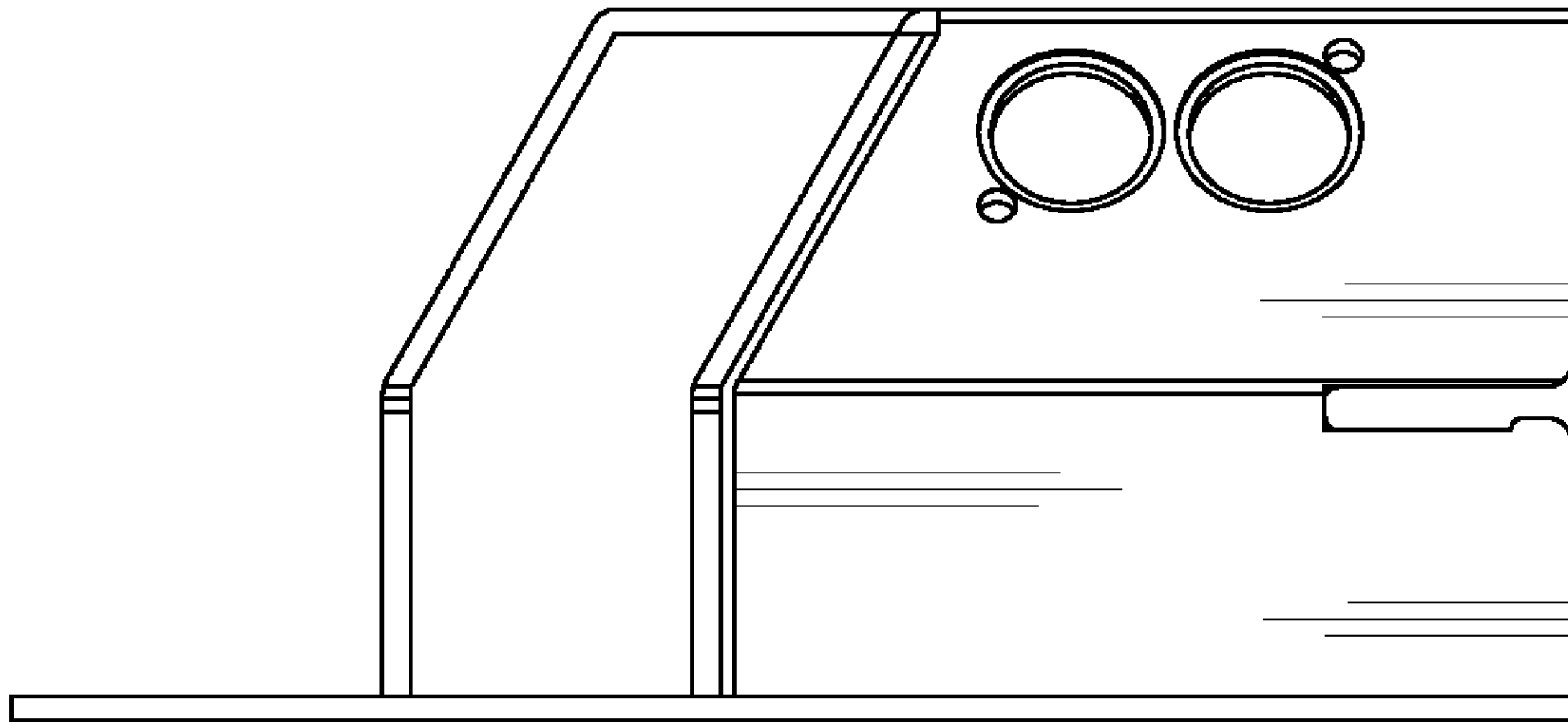


FIG. 4

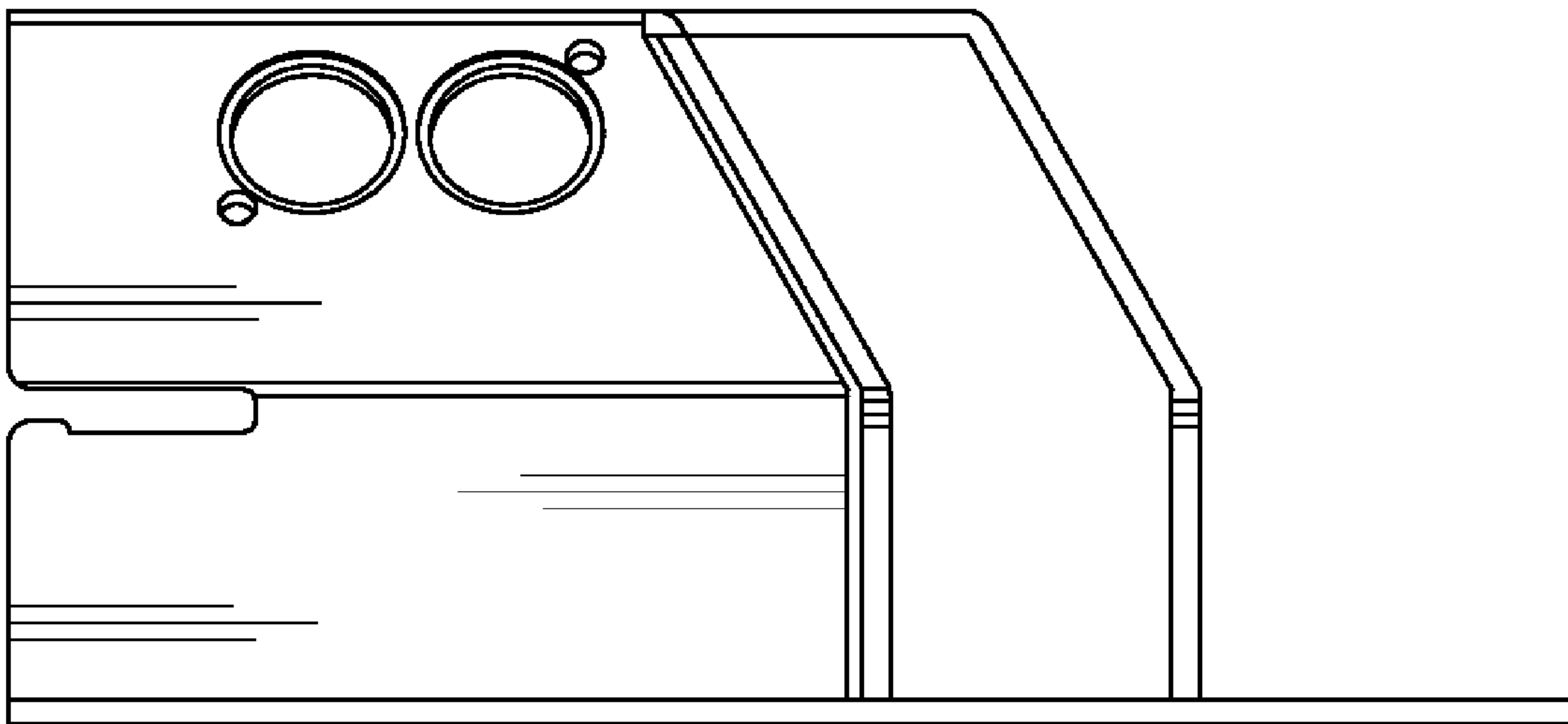


FIG. 5

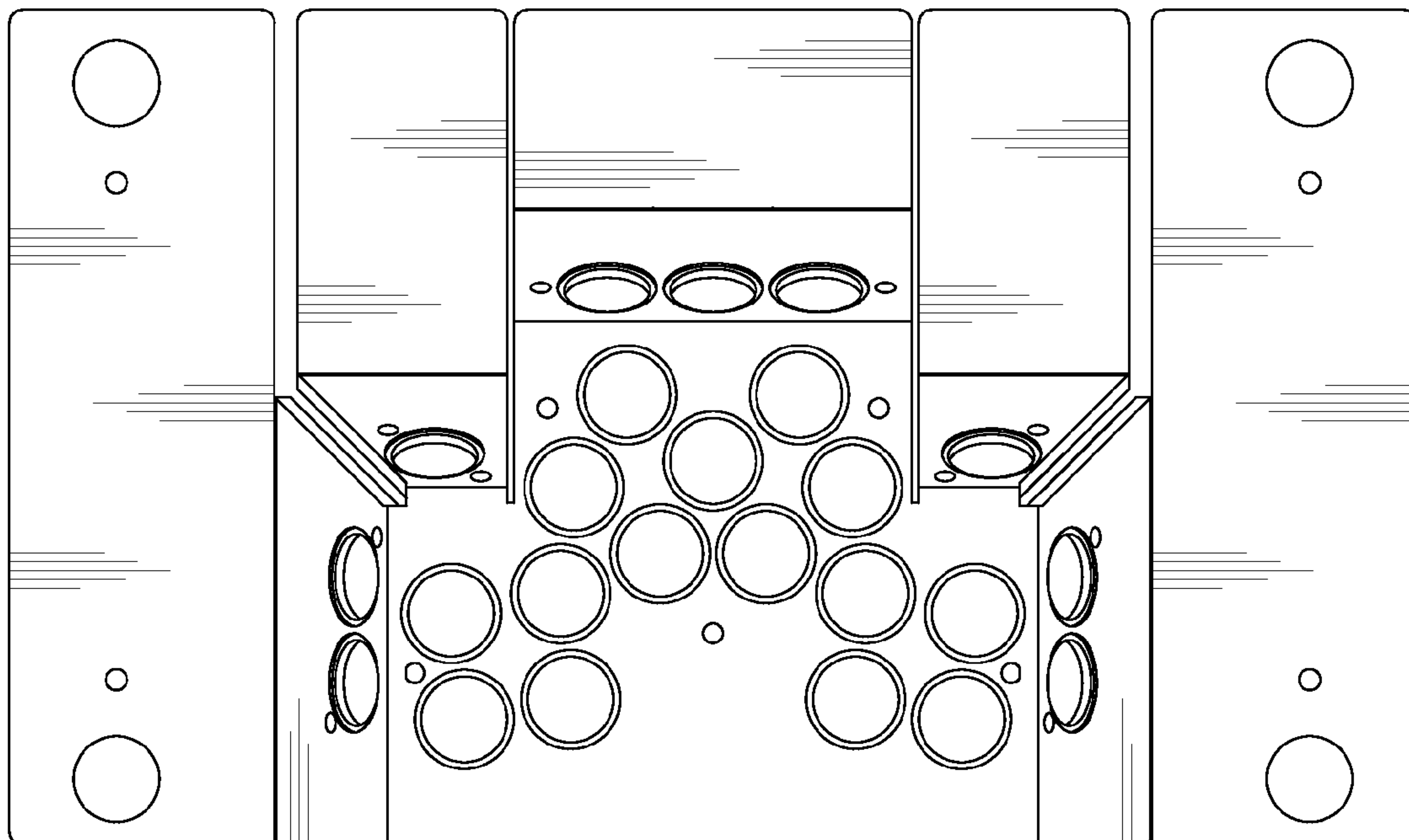


FIG. 6

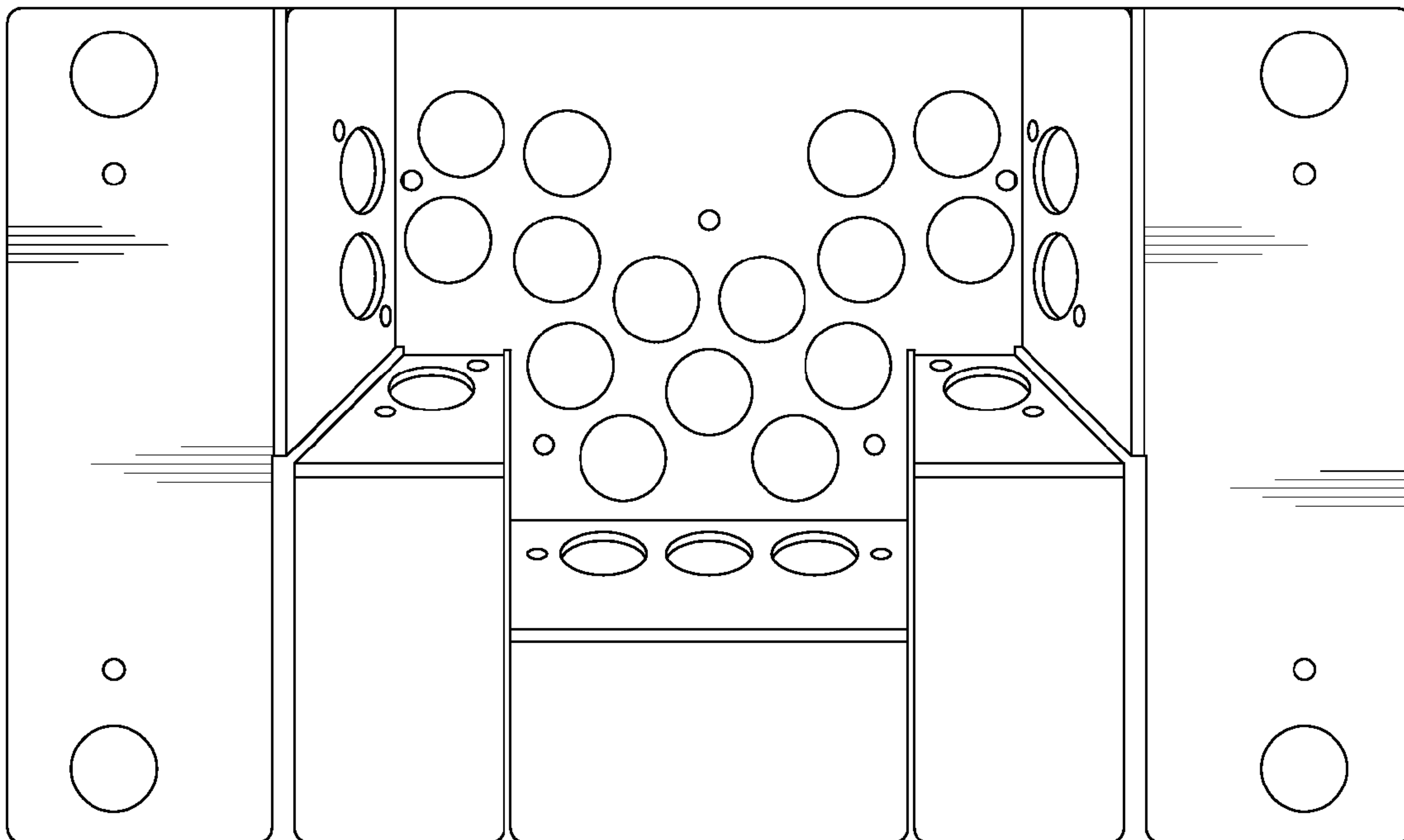


FIG. 7

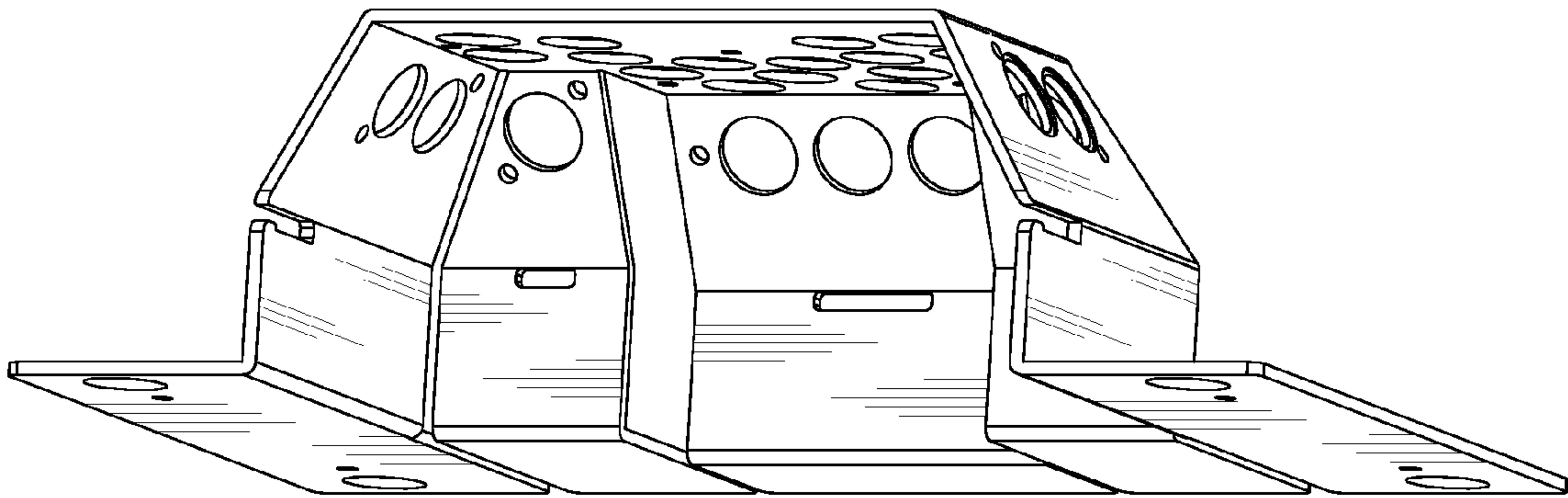


FIG. 8