

US00D637351S

(12) **United States Design Patent**
Huang

(10) **Patent No.:** **US D637,351 S**

(45) **Date of Patent:** **** May 3, 2011**

(54) **NAIL FILE**

(76) **Inventor:** **Te-Ming Huang**, San Chung (TW)

(**) **Term:** **14 Years**

(21) **Appl. No.:** **29/377,096**

(22) **Filed:** **Oct. 16, 2010**

(51) **LOC (9) Cl.** **28-03**

(52) **U.S. Cl.** **D28/59**

(58) **Field of Classification Search** D4/100,
D4/114, 133, 134, 120; 30/28, 29; D24/143,
D24/153; 132/74.5, 223, 224, 226, 228,
132/232, 233, 132, 248, 222, 251, 249, 238,
132/262, 123, 118, 121, 122, 227, 229, 237,
132/266, 285, 200; D30/158; D28/35, 9,
D28/10, 11, 12, 13, 37, 38, 73, 75, 55, 60,
D28/61, 44, 57, 58, 59; 219/222, 242, 218,
219/521, 226, 225, 229; D8/52; D32/35;
D7/686; D6/567, 608, 583; D3/205; 206/349
See application file for complete search history.

(56) **References Cited**

U.S. PATENT DOCUMENTS

1,312,653 A * 8/1919 Watrous 132/75.6
D530,452 S * 10/2006 Anderson et al. D28/59

D544,149 S * 6/2007 Park D28/59
D561,396 S * 2/2008 Park D28/59
D561,397 S * 2/2008 Lee D28/59
D574,112 S * 7/2008 Park D28/59
D600,410 S * 9/2009 Choi D28/59

* cited by examiner

Primary Examiner — Cathron C Brooks

Assistant Examiner — Kevin K Rudzinski

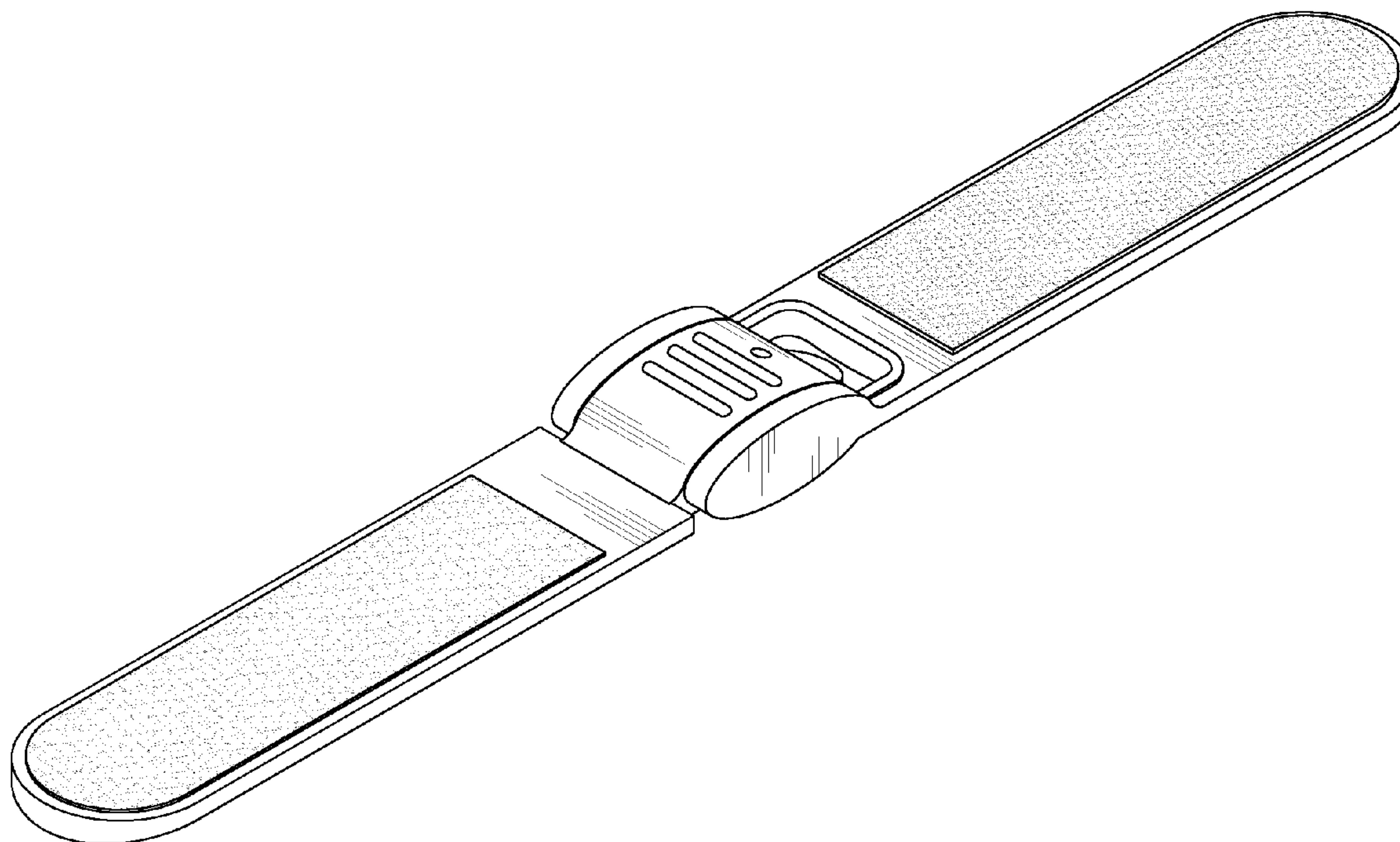
(57) **CLAIM**

The ornamental design for a nail file, as shown and described.

DESCRIPTION

FIG. 1 is a perspective view of a nail file showing my new design;
FIG. 2 is a front elevational view thereof;
FIG. 3 is a rear elevational view thereof;
FIG. 4 is a left elevational view thereof;
FIG. 5 is a right elevational view thereof;
FIG. 6 is a top view thereof;
FIG. 7 is a bottom view; and,
FIG. 8 is a perspective view of the nail file showing a folded state thereof.

1 Claim, 8 Drawing Sheets



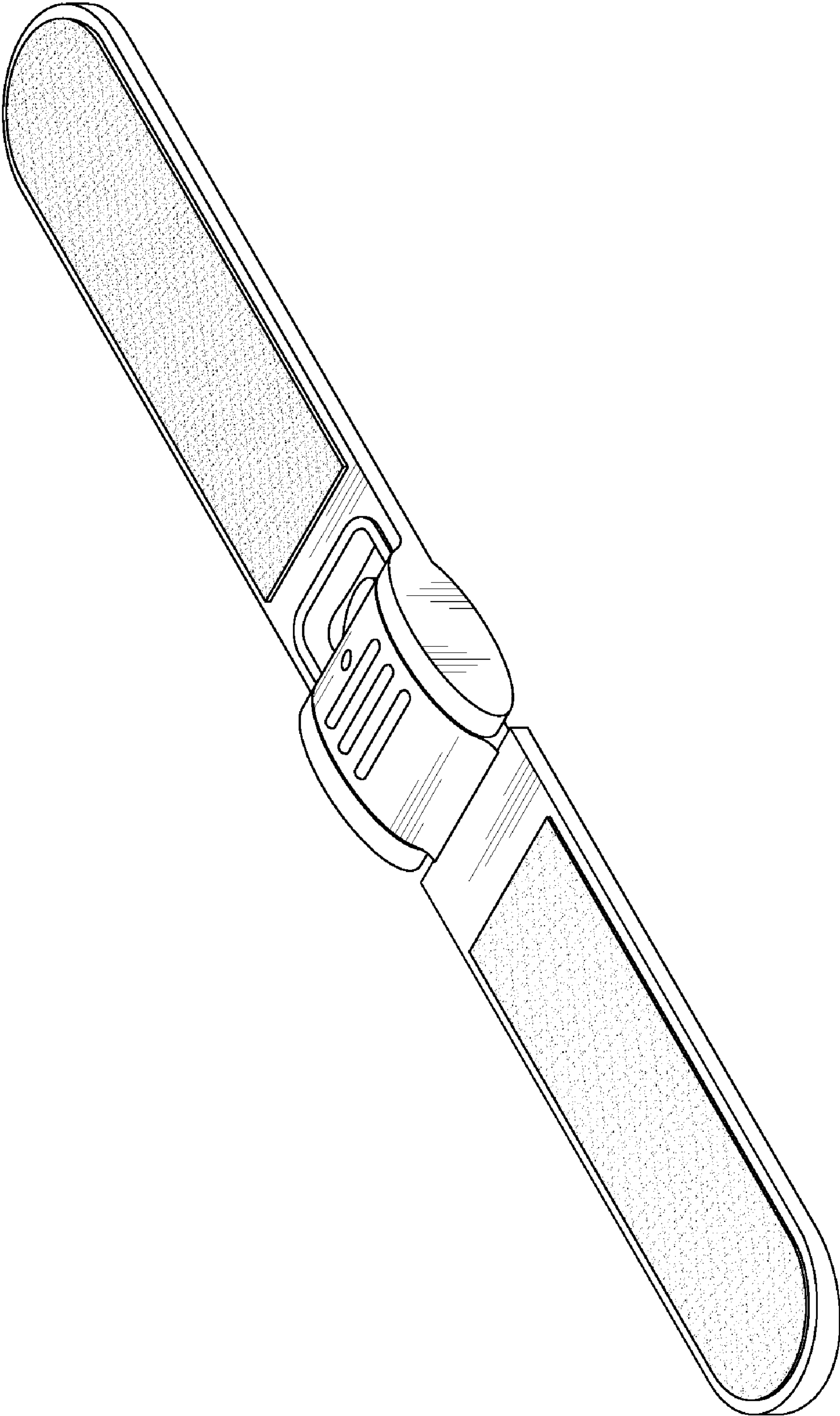


FIG. 1

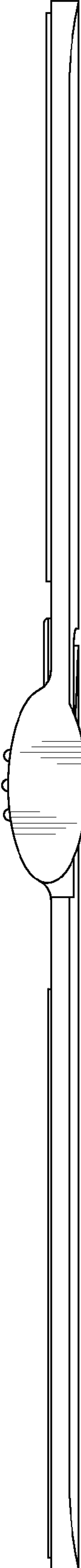


FIG. 2



FIG. 3

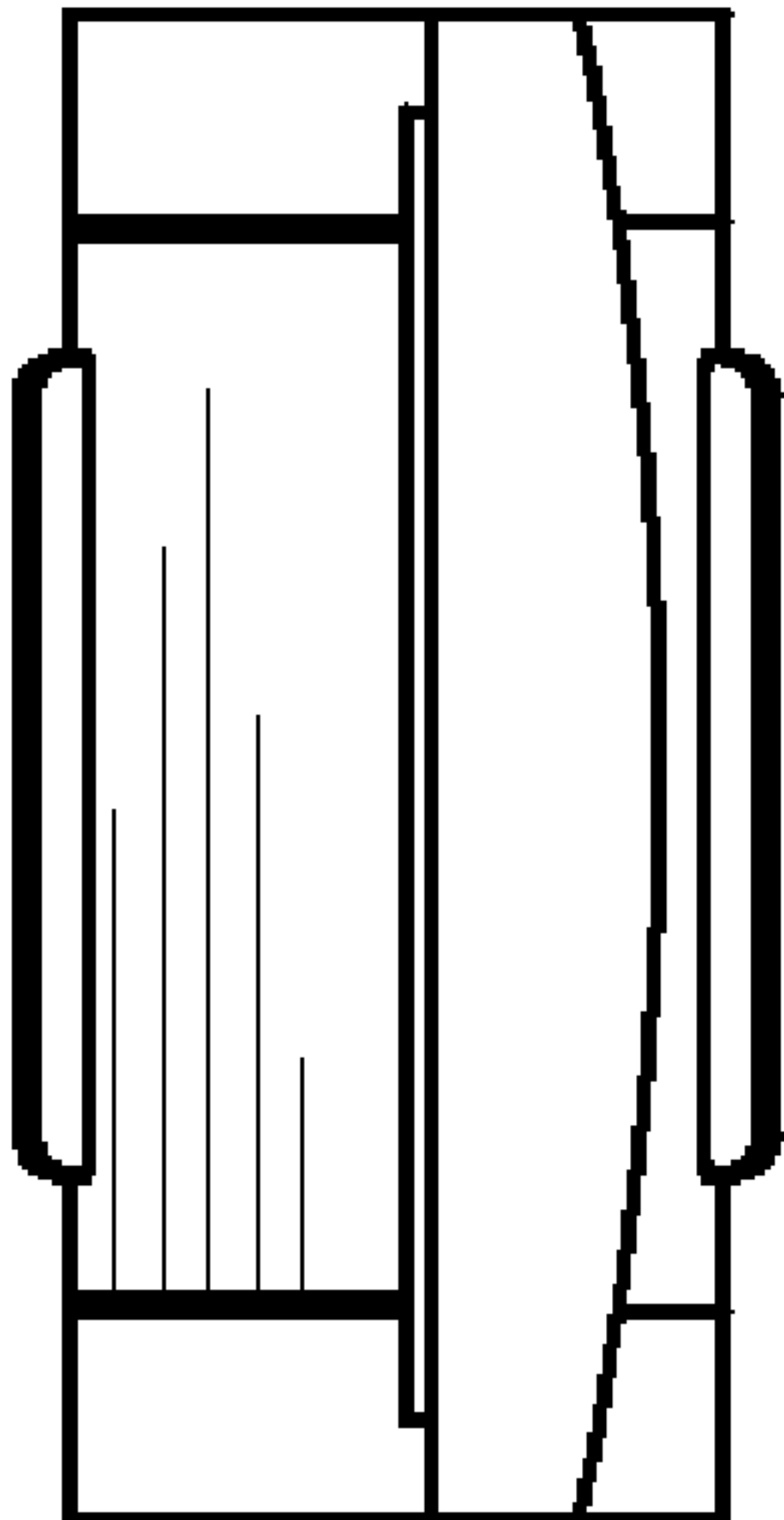


FIG. 4

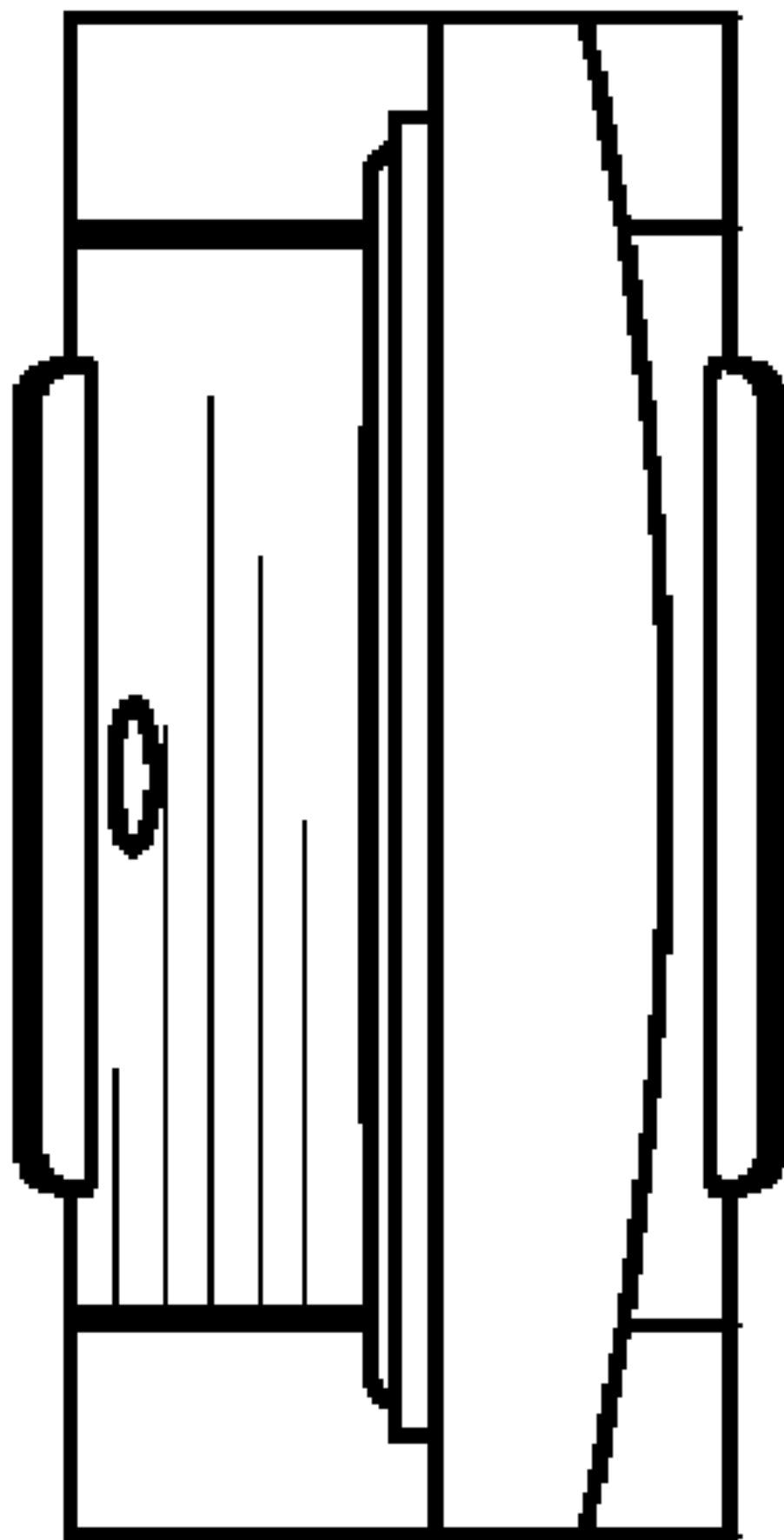


FIG. 5

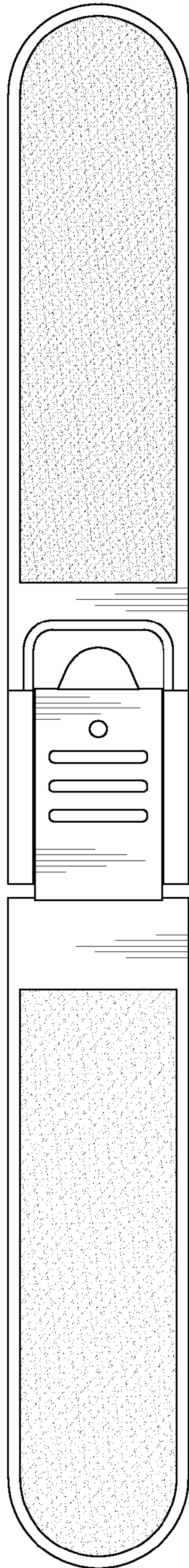


FIG. 6

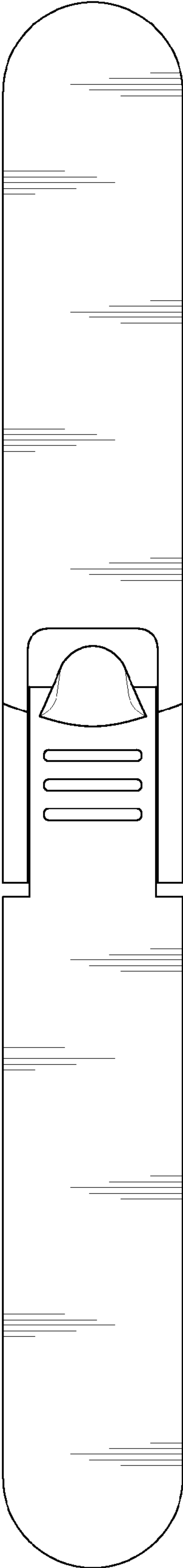


FIG. 7

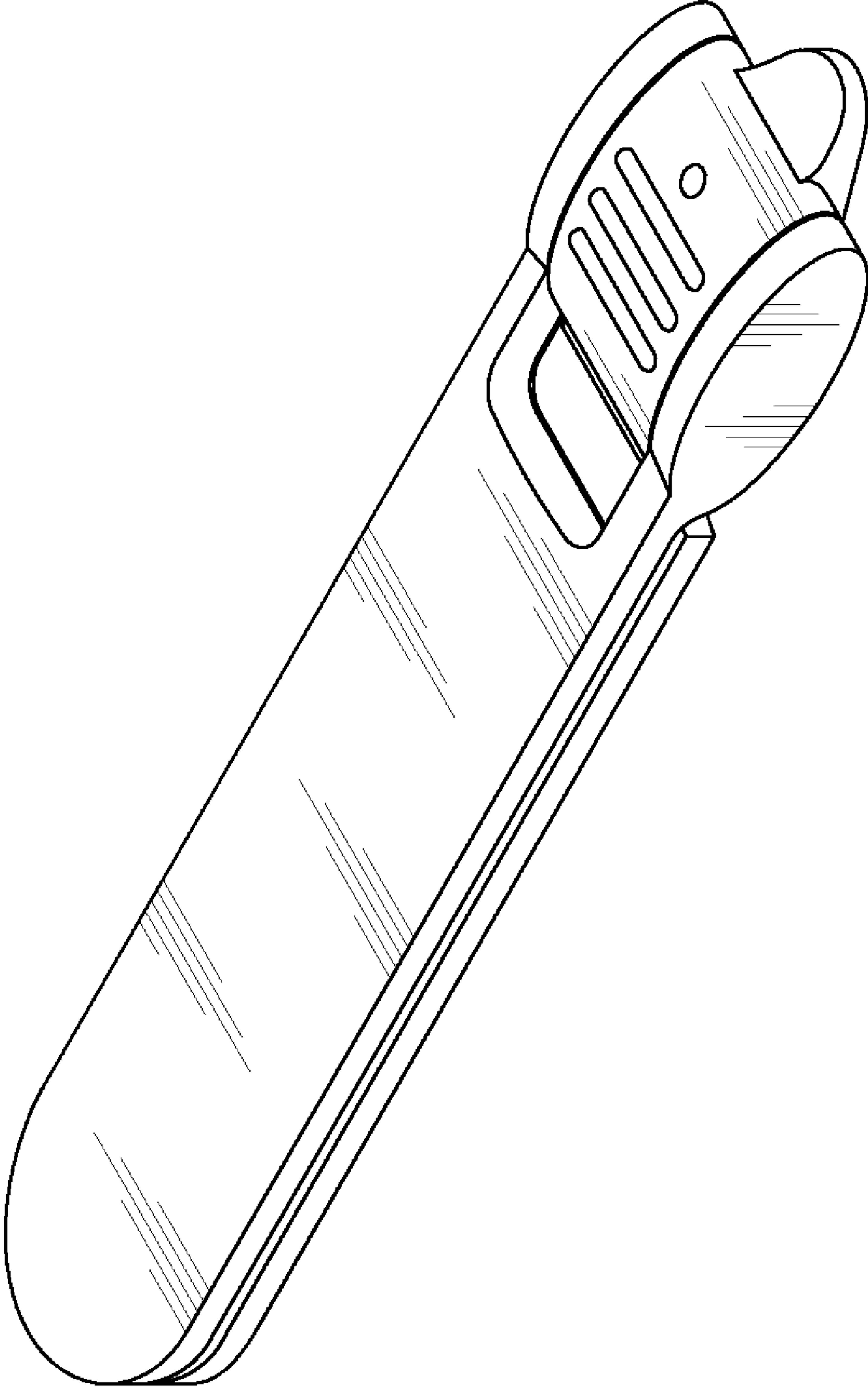


FIG. 8