



US00D637350S

(12) **United States Design Patent**
Kato et al.

(10) **Patent No.:** **US D637,350 S**

(45) **Date of Patent:** **** May 3, 2011**

(54) **HAND DRYER**

(75) Inventors: **Hiroyuki Kato**, Tokyo (JP); **Kei Kasuga**, Tokyo (JP)

(73) Assignee: **Mitsubishi Electric Corporation**, Tokyo (JP)

(**) Term: **14 Years**

(21) Appl. No.: **29/329,209**

(22) Filed: **Dec. 10, 2008**

Related U.S. Application Data

(62) Division of application No. 29/317,978, filed on May 12, 2008, now Pat. No. Des. 604,458.

(30) **Foreign Application Priority Data**

Nov. 13, 2007 (JP) 2007-031351
Nov. 13, 2007 (JP) 2007-031352
Nov. 13, 2007 (JP) 2007-031353
Nov. 13, 2007 (JP) 2007-031354

(51) **LOC (9) Cl.** **28-03**

(52) **U.S. Cl.** **D28/54.1**

(58) **Field of Classification Search** D28/12,
D28/54.1, 58; 34/266, 201, 202; 392/381,
392/380; D23/357, 361, 385

See application file for complete search history.

(56) **References Cited**

U.S. PATENT DOCUMENTS

4,206,556	A	*	6/1980	Sabo et al.	34/90
D277,322	S	*	1/1985	West	D28/58
D279,412	S	*	6/1985	Fung	D28/58
D286,211	S	*	10/1986	Zinbarg et al.	D28/58
D287,297	S	*	12/1986	Reid et al.	D28/12
D292,326	S	*	10/1987	Maass	D28/12
D294,740	S	*	3/1988	Yonezawa et al.	D28/12
4,754,769	A	*	7/1988	Flynn	132/73.5
D299,174	S	*	12/1988	Shoemaker	D28/58
D326,511	S	*	5/1992	Chiang	D23/328

* cited by examiner

Primary Examiner — Janice E Seeger

Assistant Examiner — Zenia I Bennett

(74) *Attorney, Agent, or Firm* — Sughrue Mion, PLLC

(57) **CLAIM**

The ornamental design for a hand dryer, as shown and described.

DESCRIPTION

FIG. 1 is a front perspective view of a hand dryer according to an embodiment of the invention;
FIG. 2 is a front view thereof;
FIG. 3 is a rear view thereof;
FIG. 4 is a first side view thereof;
FIG. 5 is a second side view thereof;
FIG. 6 is a top view thereof; and
FIG. 7 is a bottom view thereof.

The broken lines in the drawings are for illustrative purposes only and form no part of the claimed design.

1 Claim, 7 Drawing Sheets

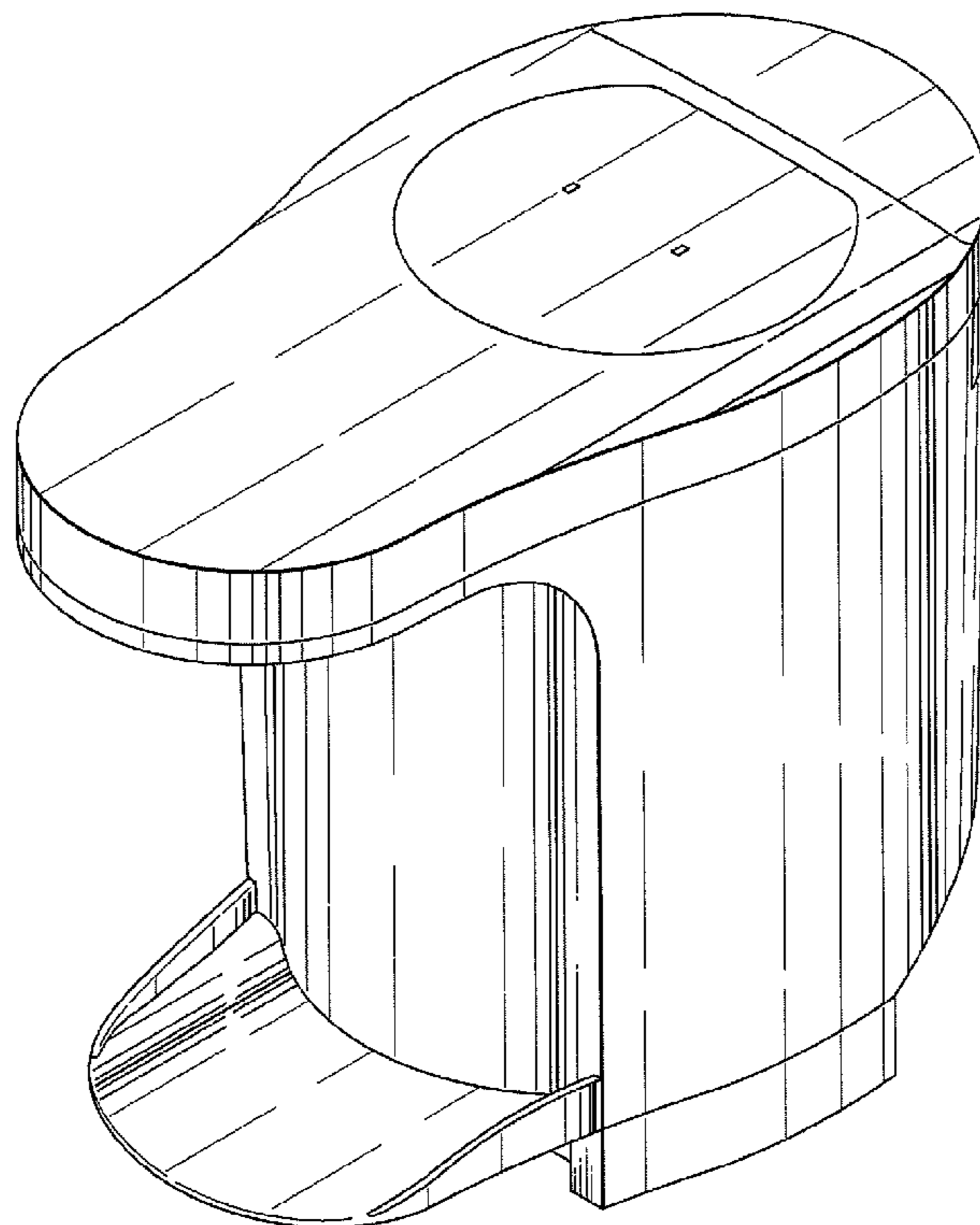


FIG.1

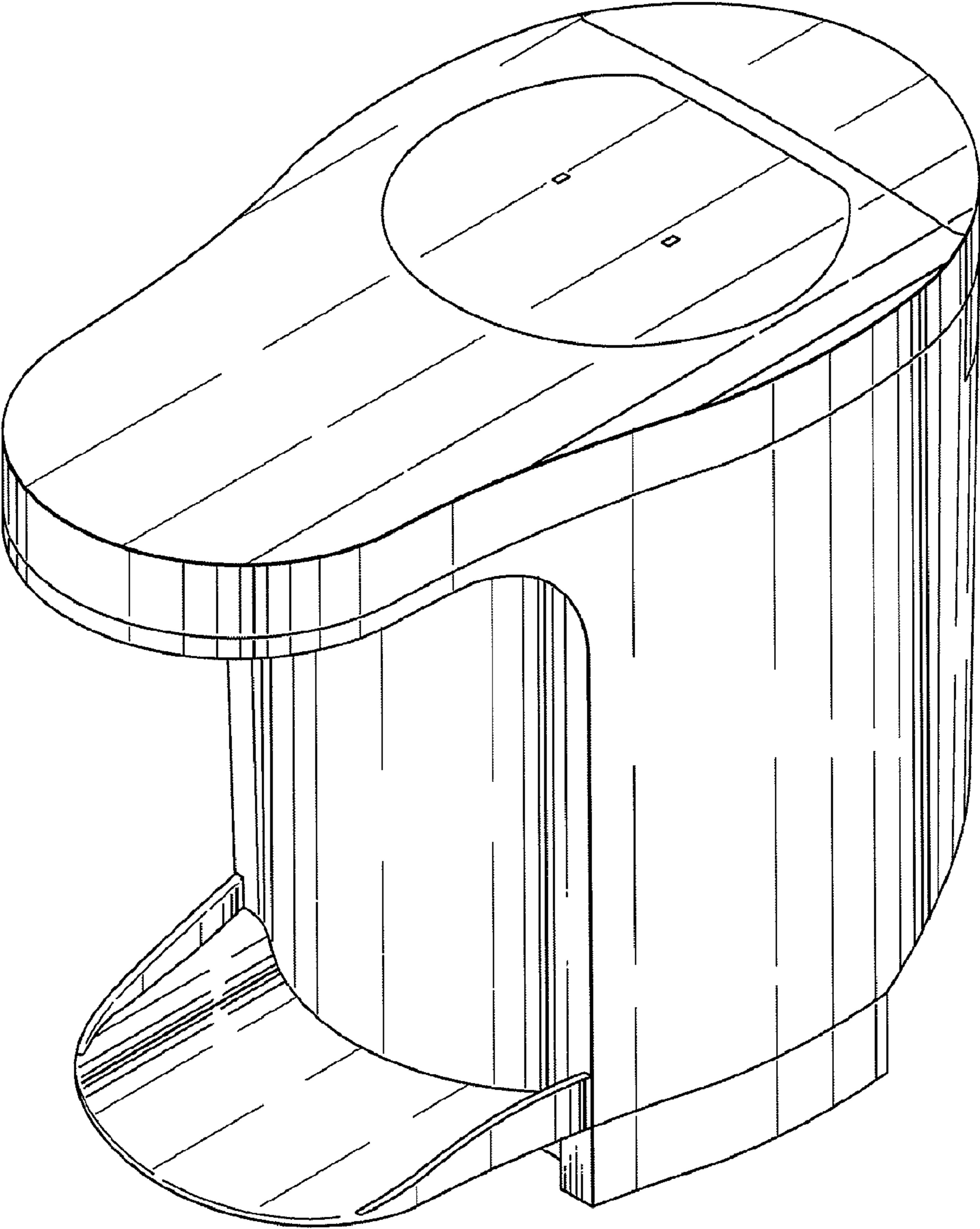


FIG.2

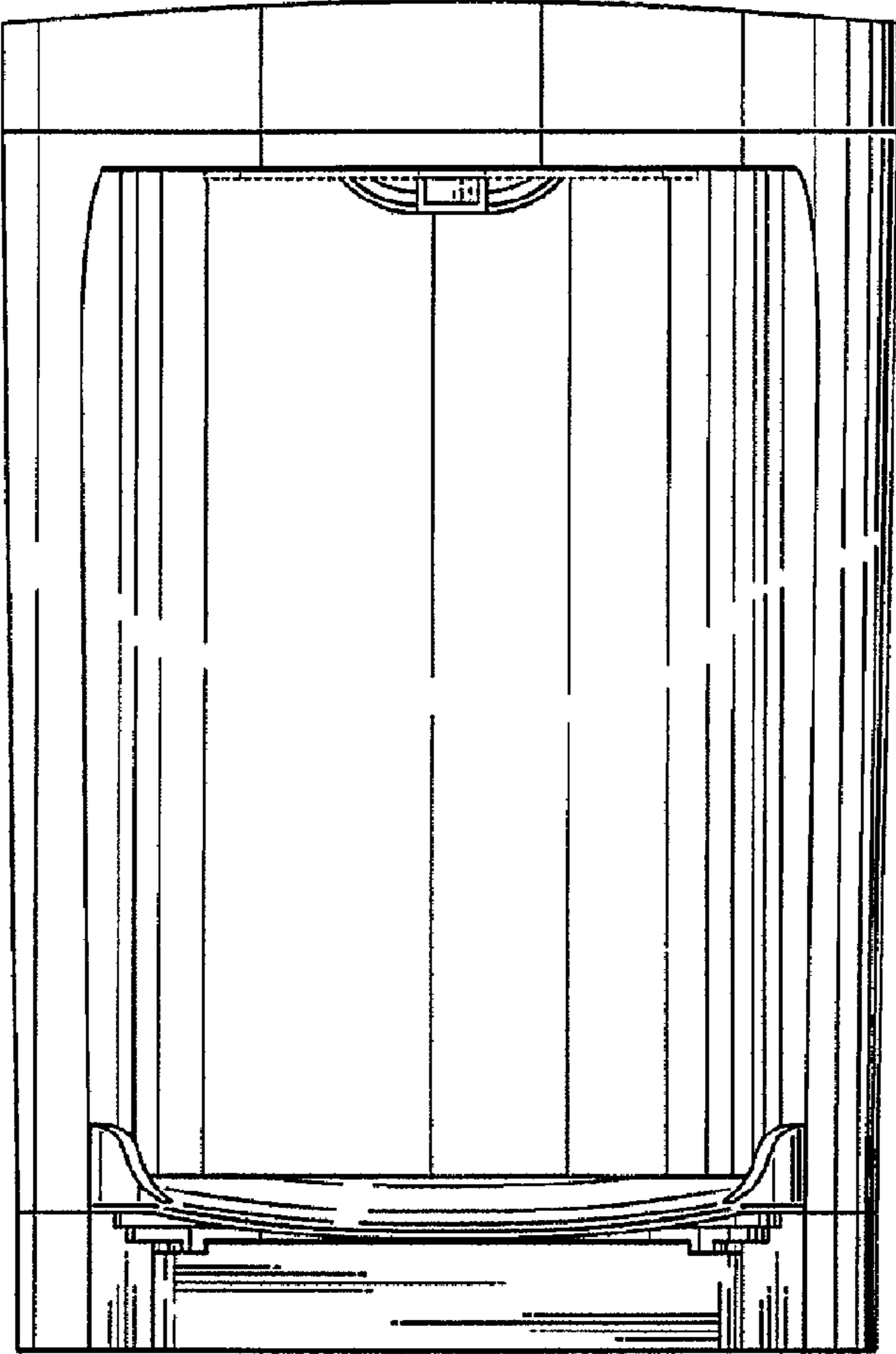


FIG.3

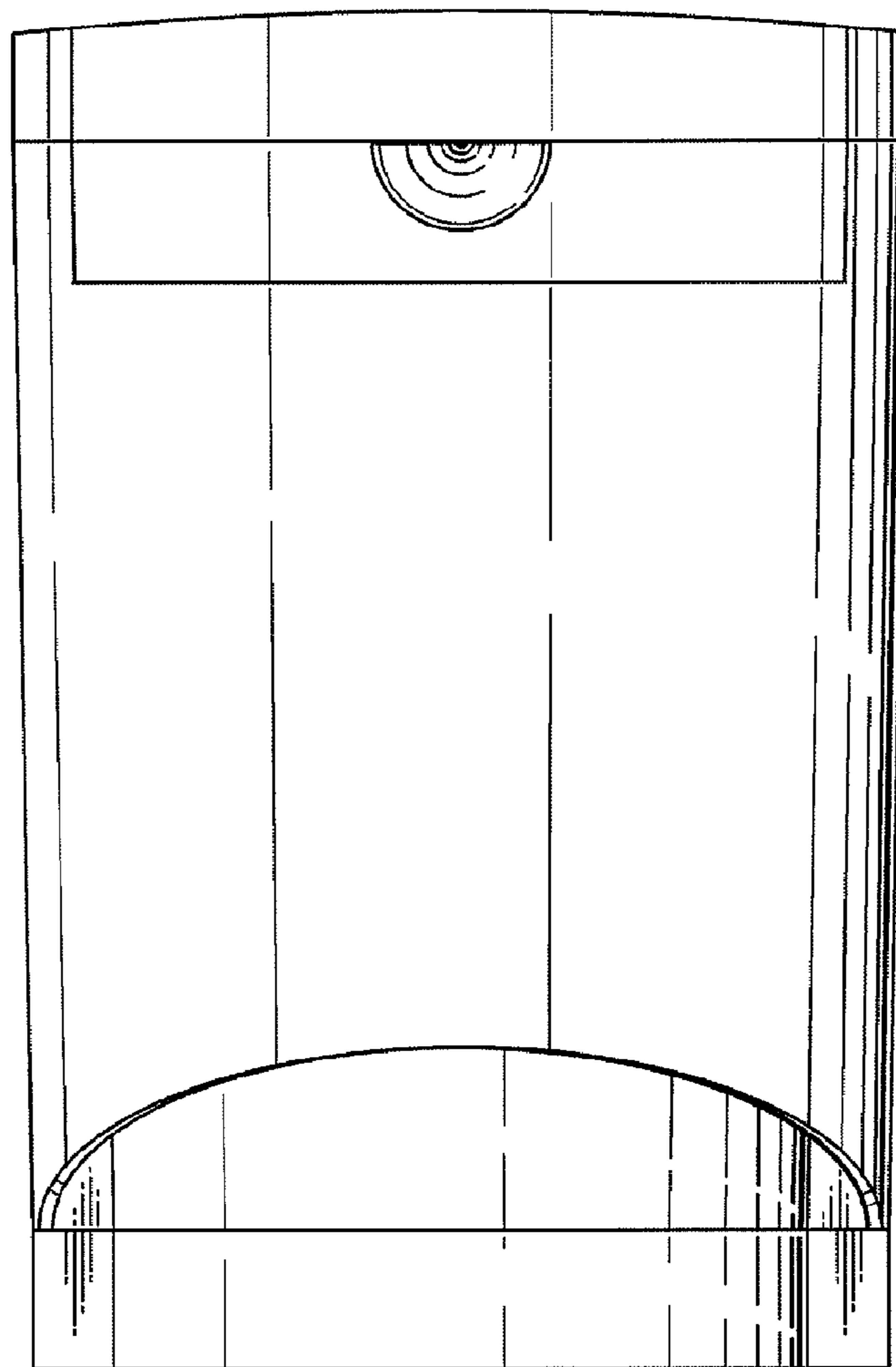


FIG.4

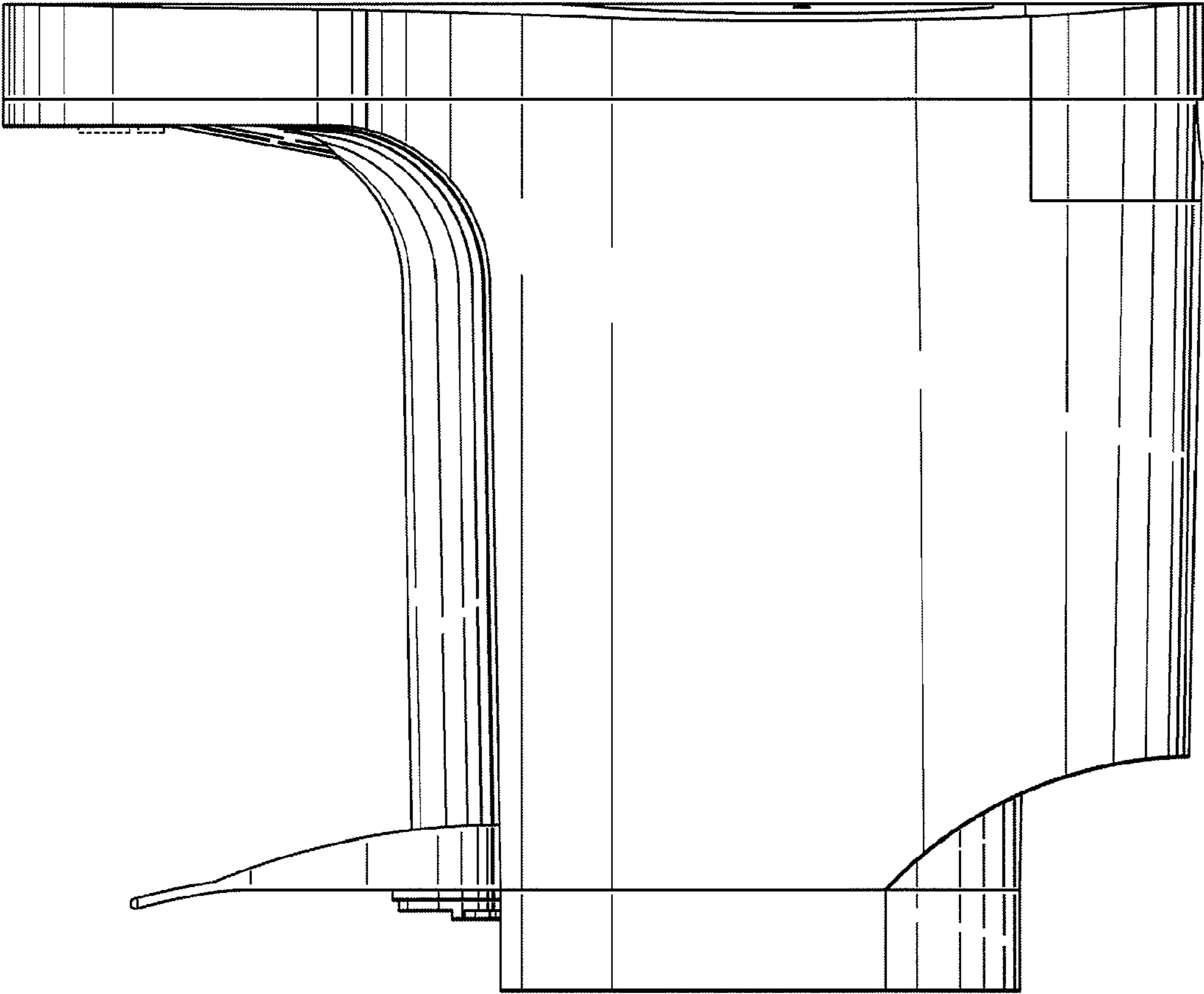


FIG.5

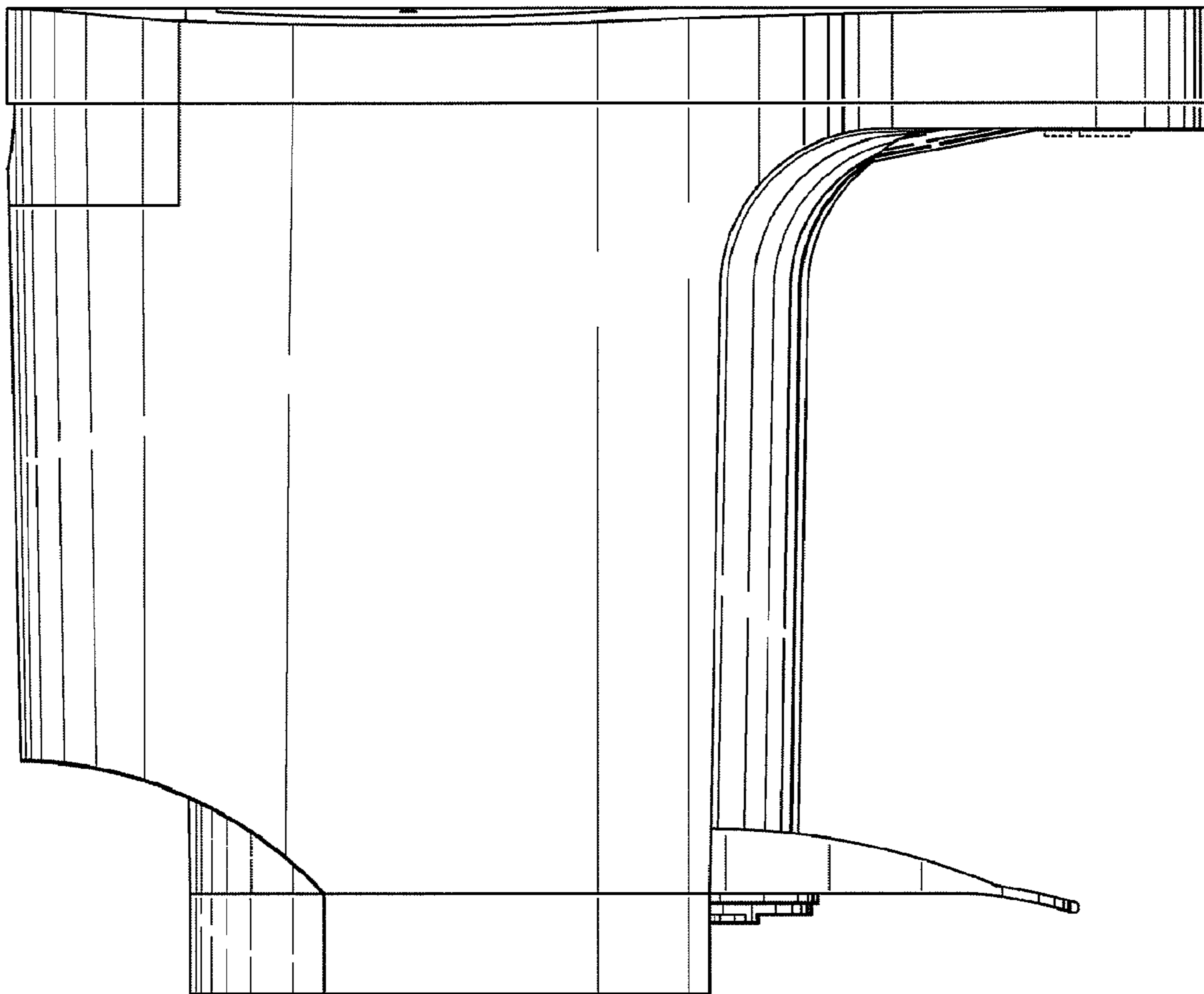


FIG.6

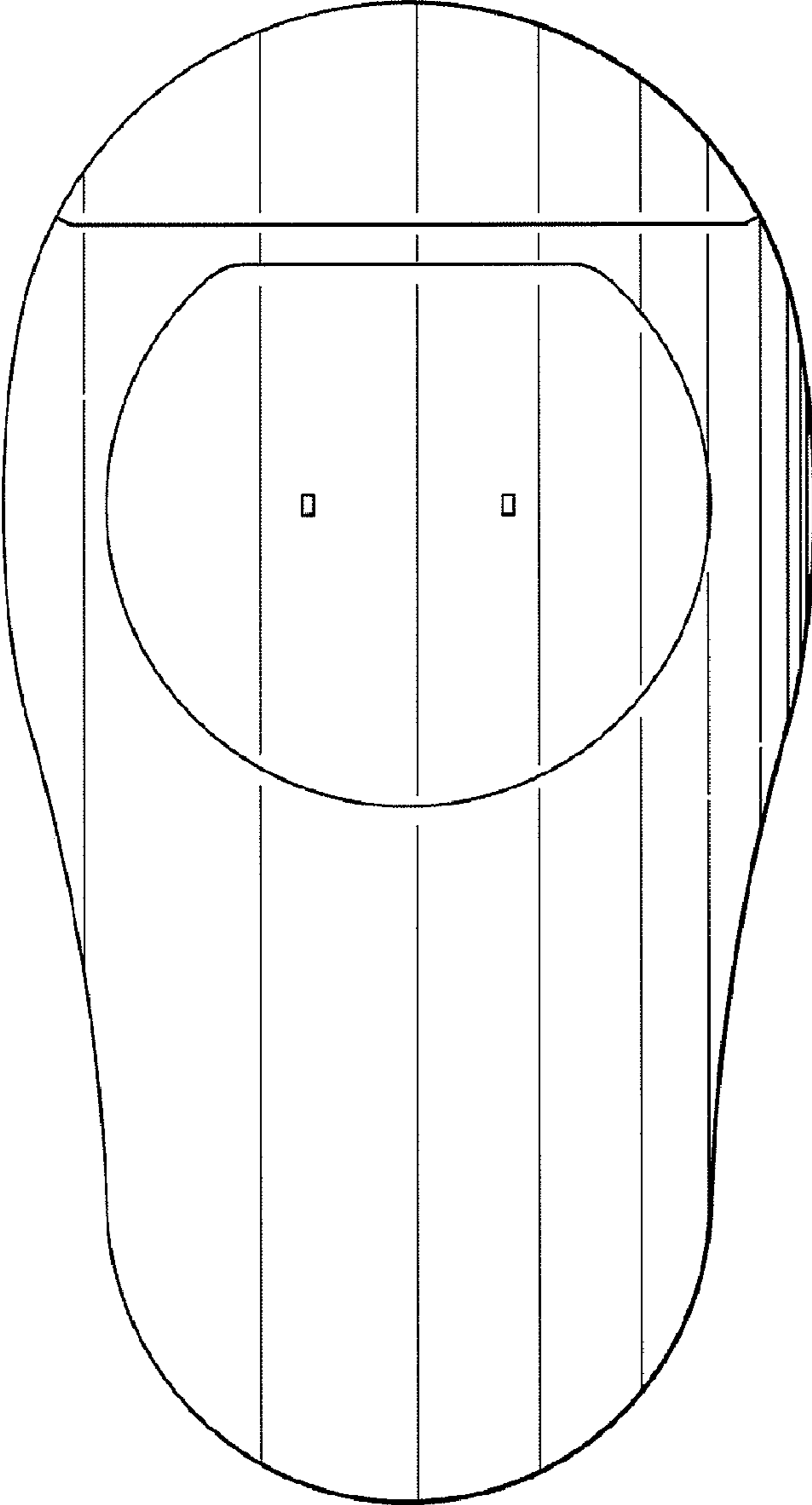


FIG. 7

