



US00D637348S

(12) **United States Design Patent**  
**Richmond et al.**

(10) **Patent No.:** **US D637,348 S**  
(45) **Date of Patent:** **\*\* May 3, 2011**

(54) **HEATABLE HAIR CLIP**

(75) Inventors: **David Richmond**, Culver City, CA (US); **Howard Richmond**, Culver City, CA (US); **Henry K. Yu**, El Segundo, CA (US); **Matthew W. Tivnon**, El Segundo, CA (US); **Jefferson H. McCrory**, El Segundo, CA (US); **Linda Flowers**, Los Angeles, CA (US)

(73) Assignee: **Caldo Caldo LLC**, Culver City, CA (US)

(\*\*) Term: **14 Years**

(21) Appl. No.: **29/379,540**

(22) Filed: **Nov. 19, 2010**

(51) **LOC (9) Cl.** ..... **28-03**

(52) **U.S. Cl.** ..... **D28/40**

(58) **Field of Classification Search** ..... D28/31-34, D28/35-3, 39-438; 132/101, 126, 128-131, 132/144, 148, 219, 275-284

See application file for complete search history.

(56) **References Cited**

**U.S. PATENT DOCUMENTS**

492,561	A *	2/1893	Seidell	132/275
2,171,422	A *	8/1939	Zaccaro et al.	132/145
2,491,939	A	12/1949	Tasho	
D257,620	S *	12/1980	Chartier	D28/40
D293,489	S *	12/1987	Franzino	D28/40
D325,047	S *	3/1992	Chou	D19/65
5,294,777	A	3/1994	Denhup	

5,522,407	A	6/1996	Kelsey	
D380,864	S *	7/1997	Deakin et al.	D28/40
5,873,377	A	2/1999	Yang	
5,890,496	A *	4/1999	Habibi	132/210
6,114,661	A *	9/2000	Leung	219/222
D464,465	S *	10/2002	Yasuda	D28/40
D541,983	S *	5/2007	Au	D28/40
D580,105	S *	11/2008	Pichon	D28/40
2005/0087205	A1	4/2005	Rizzuto	
2008/0236606	A1	10/2008	Flowers	

\* cited by examiner

*Primary Examiner* — Zenia Bennett

(74) *Attorney, Agent, or Firm* — Laura M. Lloyd; Jeffrey G. Sheldon; Sheldon Mak & Anderson

(57) **CLAIM**

The ornamental design for a heatable hair clip, as shown and described.

**DESCRIPTION**

This application is related to application Ser. No. 29/379,509 filed on Nov. 19, 2010, entitled "Heat Retaining Hair Clips" filed by Dave Richmond et al., which shows this invention in the closed position.

FIG. 1 is a perspective view of a heatable hair clip in an open position according to the present invention;

FIG. 2 is a top plan view of the clip of FIG. 1;

FIG. 3 is a side elevation view of the clip of FIG. 1;

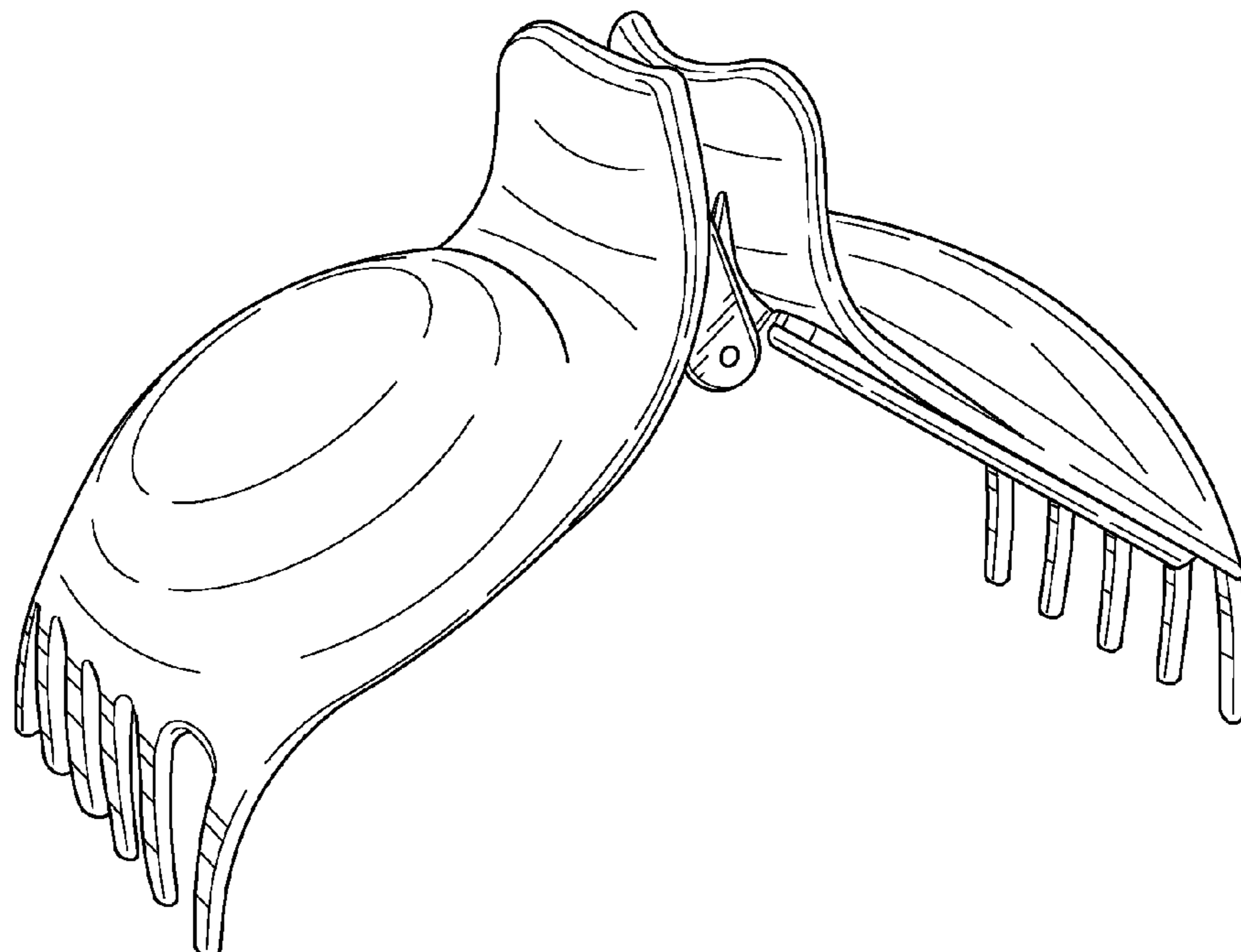
FIG. 4 is a front elevation view of the hair clip of FIG. 1;

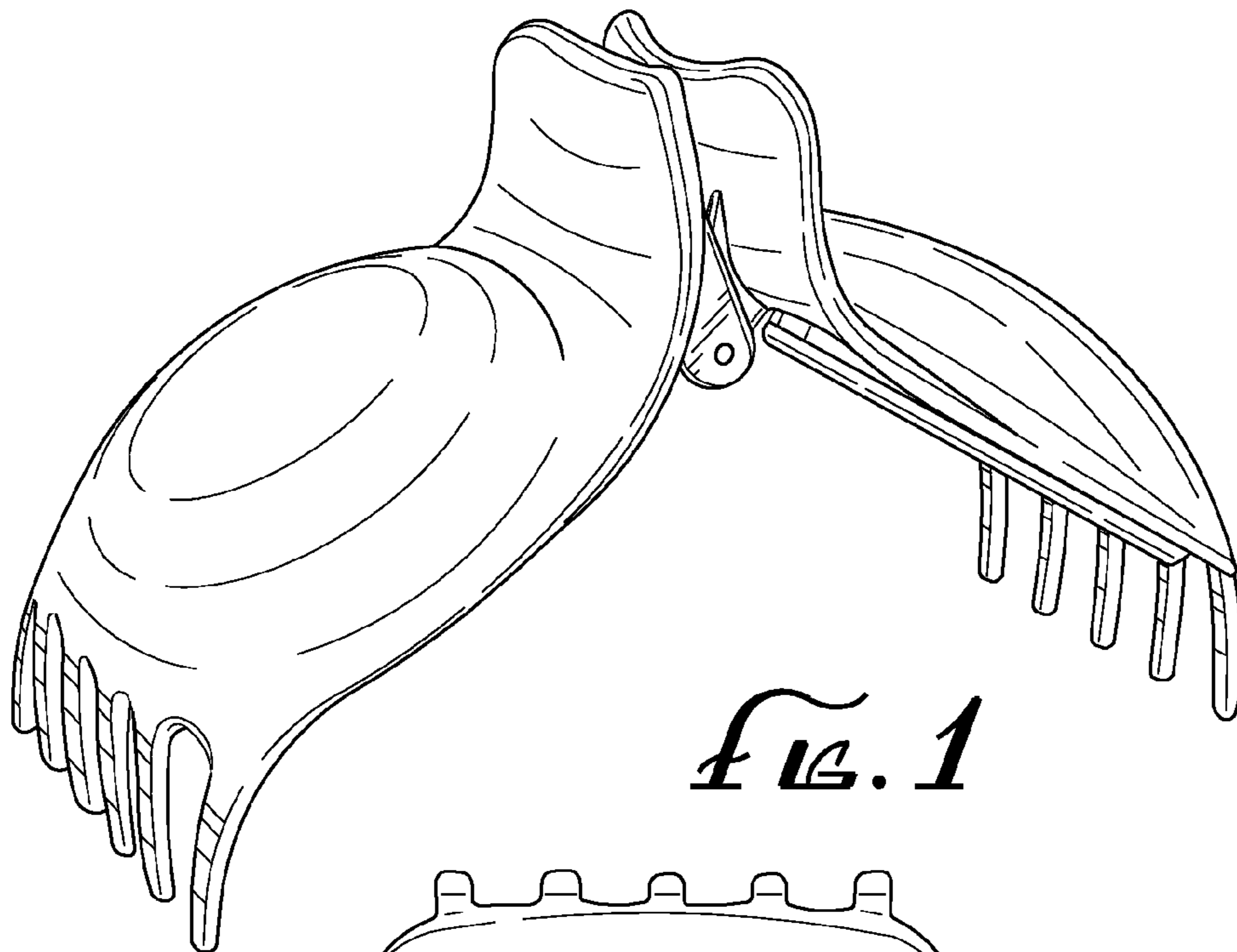
FIG. 5 is a rear elevation view of the hair clip of FIG. 1; and,

FIG. 6 is a bottom view of the hair clip shown in FIG. 1.

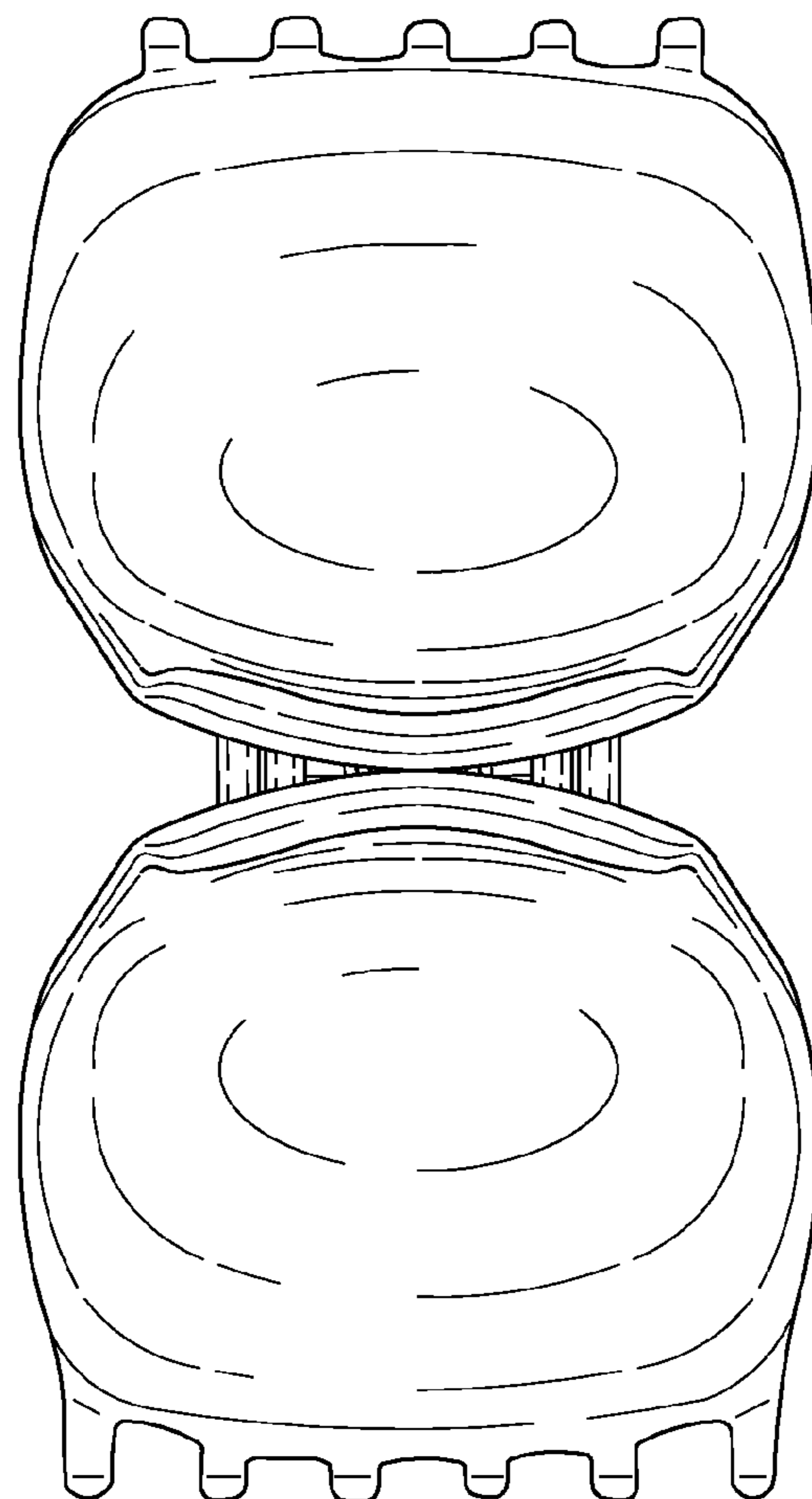
The broken lines in the drawing are for illustrative purposes only and form no part of the claimed design.

**1 Claim, 3 Drawing Sheets**

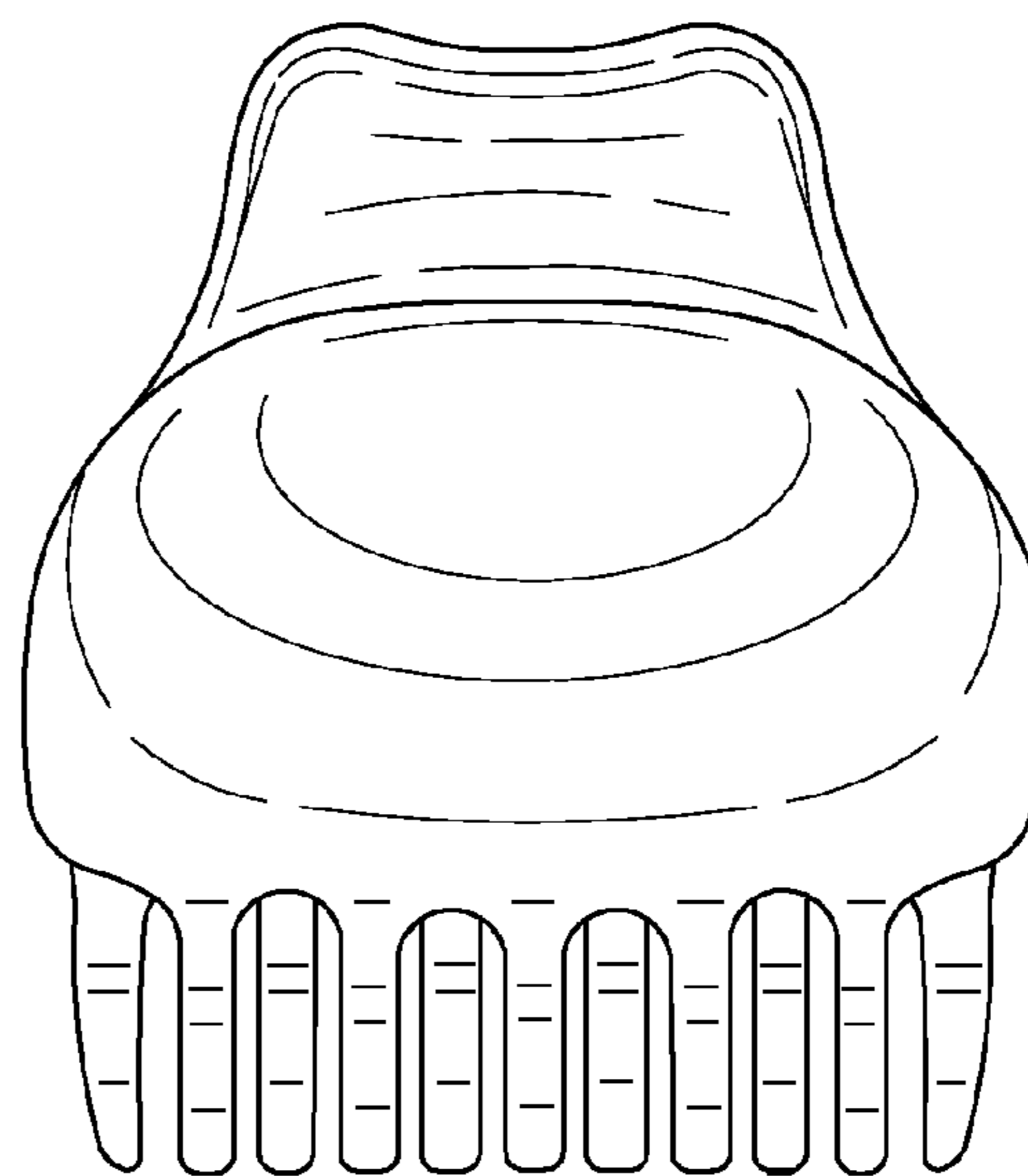
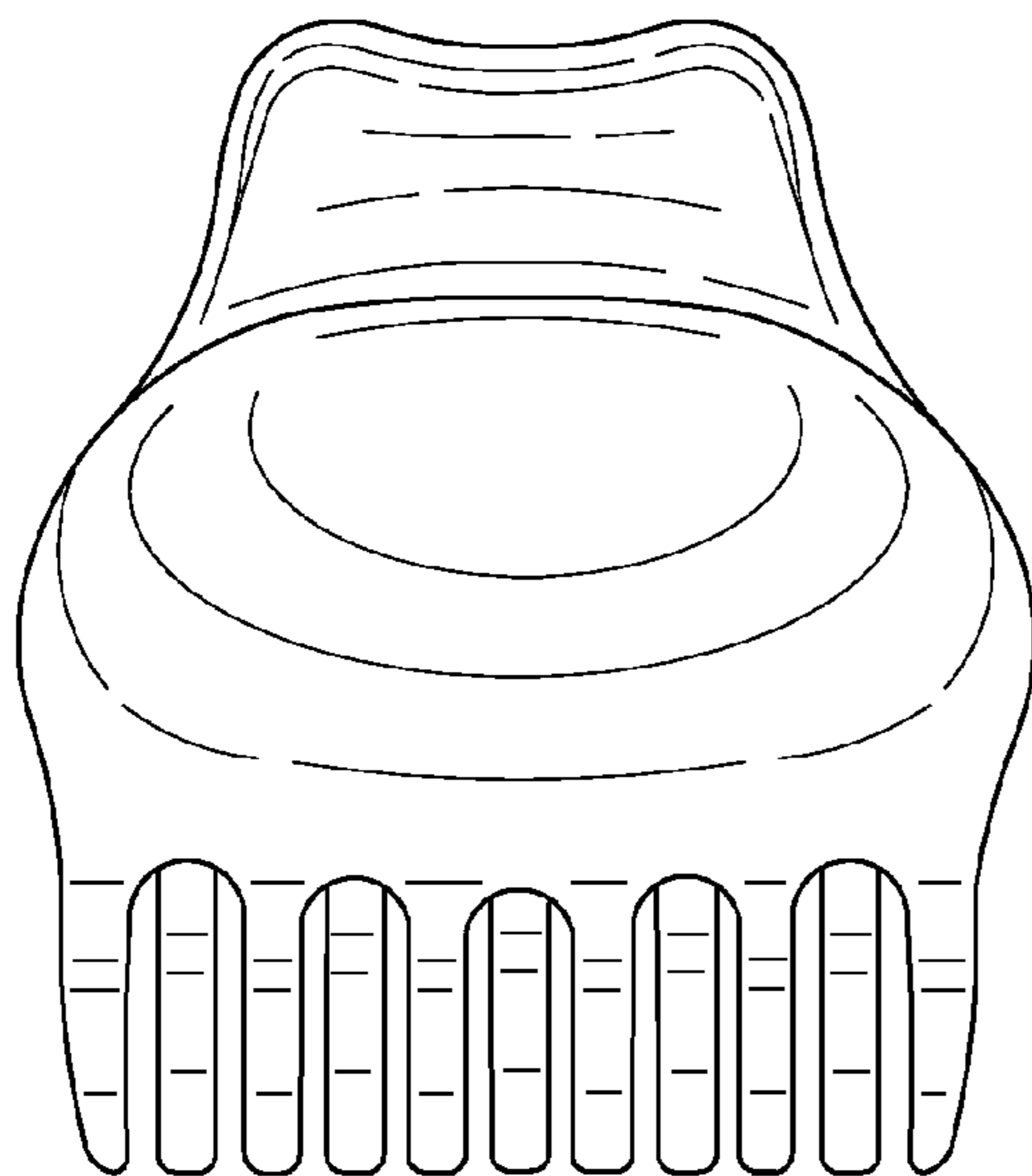
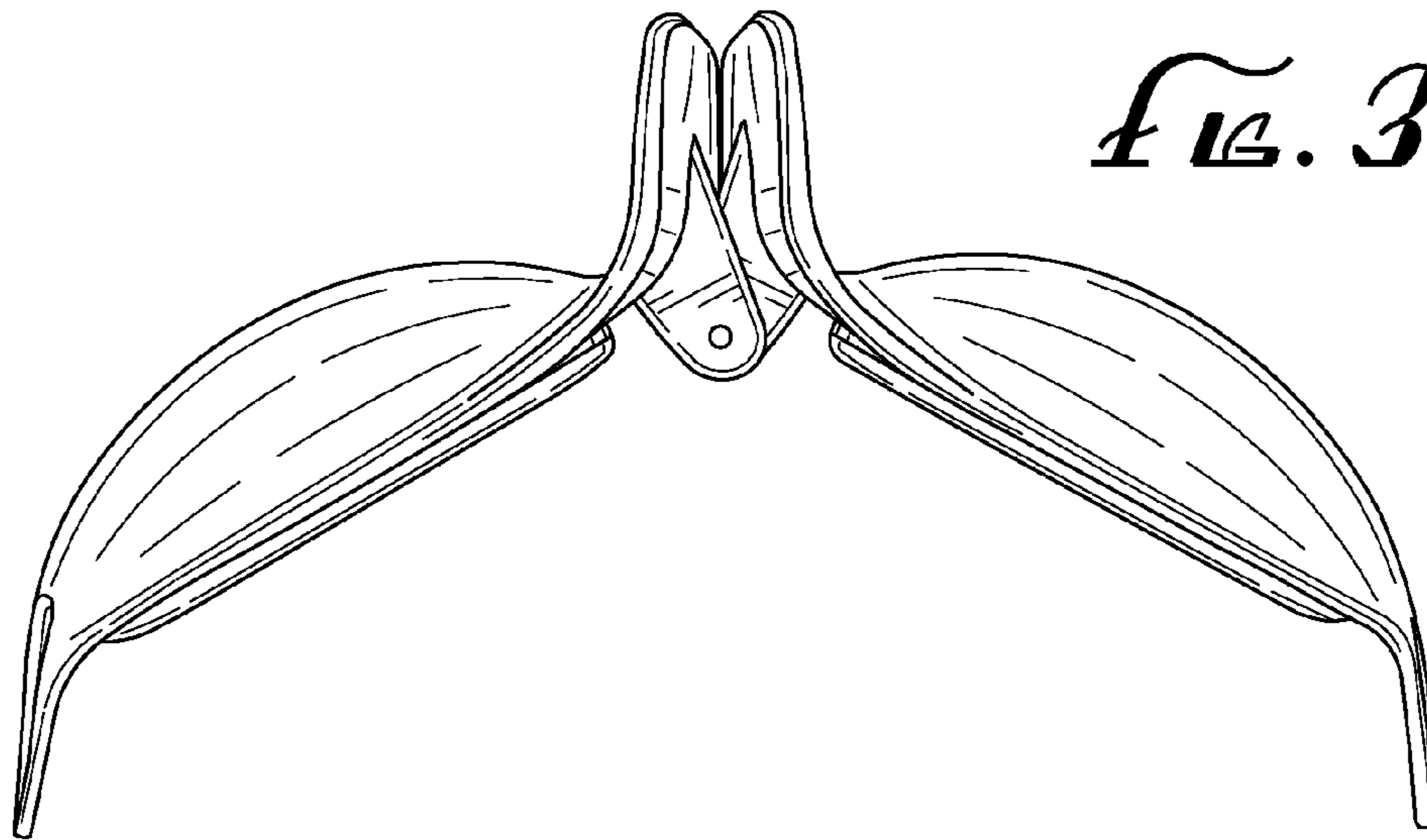


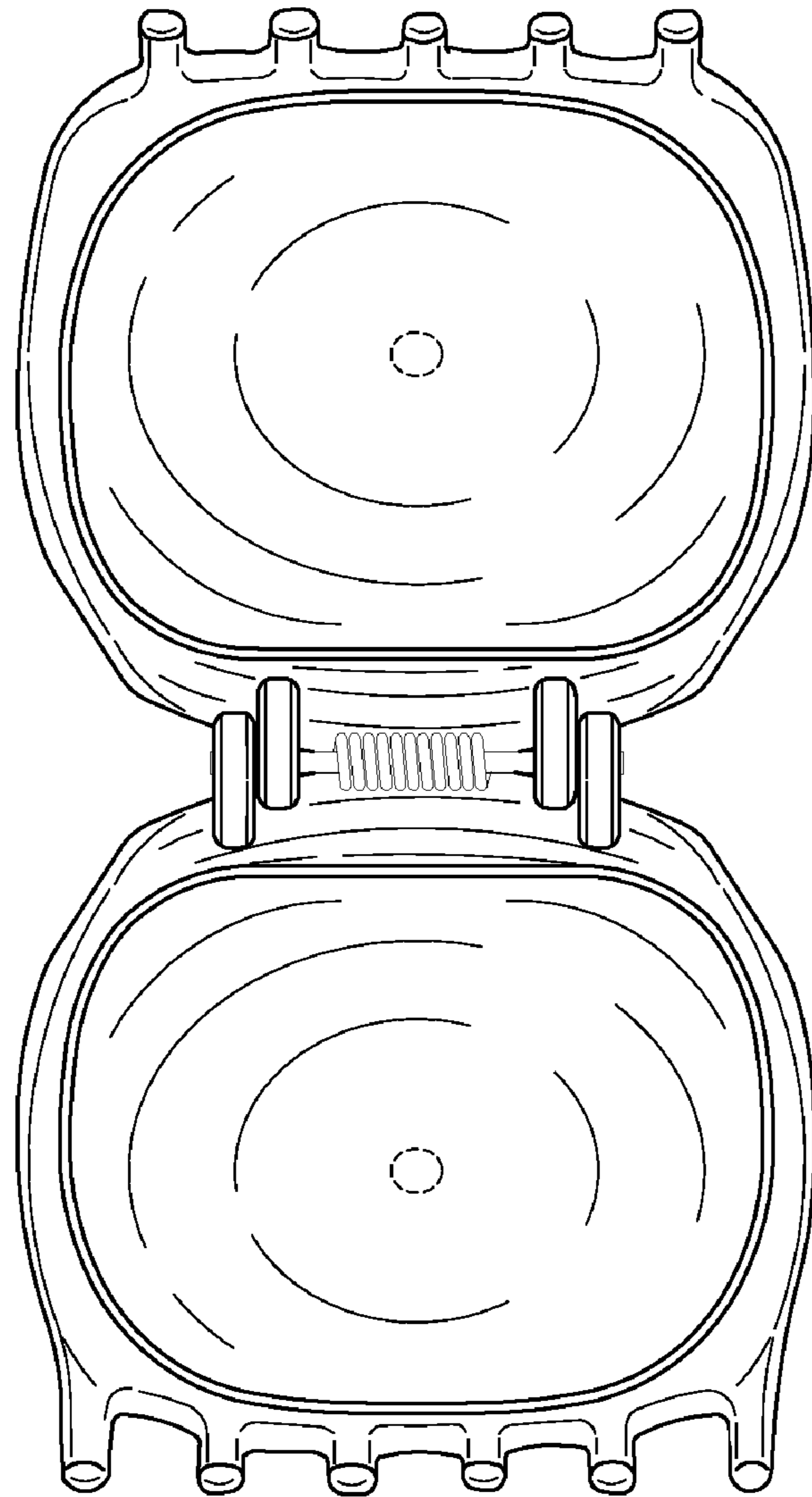


*FIG. 1*



*FIG. 2*





*FIG. 6*