



US00D637347S

(12) **United States Design Patent**  
**Schmitz**

(10) **Patent No.:** **US D637,347 S**

(45) **Date of Patent:** **\*\* May 3, 2011**

(54) **HAIR DRYER**

(75) Inventor: **Ingo Schmitz**, Duisburg (DE)

(73) Assignee: **WIK Far East Ltd.**, Hong Kong (CN)

(\*\*) Term: **14 Years**

(21) Appl. No.: **29/336,102**

(22) Filed: **Apr. 28, 2009**

(30) **Foreign Application Priority Data**

Oct. 28, 2008 (DE) ..... 40 2008 005 164

(51) **LOC (9) Cl.** ..... **28-03**

(52) **U.S. Cl.** ..... **D28/13**

(58) **Field of Classification Search** ..... D28/12-19;  
34/96-101; 392/380-385; 219/222

See application file for complete search history.

(56) **References Cited**

**U.S. PATENT DOCUMENTS**

D265,136 S	6/1982	Madl
D398,418 S	9/1998	Garrett et al.
D398,717 S	9/1998	Kling et al.
D407,847 S	4/1999	Gudefin
D412,219 S	7/1999	Goetschi
D425,243 S	5/2000	Mattis
D425,665 S	5/2000	Kling et al.
D429,028 S	8/2000	Muller et al.
D432,716 S	10/2000	Goetschi
D436,690 S	1/2001	Cruz et al.
D438,340 S	2/2001	Gudefin
D460,214 S	7/2002	Parodi
D470,976 S	2/2003	Rizzuto, Jr.
D473,341 S	4/2003	Bokelman-Dumas
D494,710 S	8/2004	Parodi
D496,754 S	9/2004	Parodi
D499,209 S	11/2004	Ikesaki
D518,919 S	4/2006	Parodi
D527,145 S	8/2006	Zimmermann

D528,698 S 9/2006 Rizzuto, Jr.  
D543,313 S 5/2007 Petruccelli, Jr.  
D544,645 S 6/2007 Ceva

(Continued)

**OTHER PUBLICATIONS**

U.S. Appl. No. 29/335,835, filed Apr. 22, 2009; Inventor: Ingo Schmitz.

(Continued)

*Primary Examiner* — Zenia Bennett

(74) *Attorney, Agent, or Firm* — Margaret Polson; Oppedahl Patent Law Firm LLC

(57) **CLAIM**

The ornamental design for a hair dryer, as shown and described.

**DESCRIPTION**

FIG. 1 is a front perspective view of my new design for a hair dryer.

FIG. 2 is a rear perspective view of FIG. 1.

FIG. 3 is a left side elevation view of FIG. 1.

FIG. 4 is a right side elevation view of FIG. 1.

FIG. 5 is front side elevation view of FIG. 1.

FIG. 6 is a rear side elevation view of FIG. 1.

FIG. 7 is a top plan view of FIG. 1.

FIG. 8 is a bottom plan view of FIG. 1.

FIG. 9 is a front perspective view of my new design for a hair dryer. The buttons shown in dotted lines are for illustrative purposes only and are not part of the claimed design.

FIG. 10 is a rear perspective view of FIG. 9.

FIG. 11 is a left side elevation view of FIG. 9.

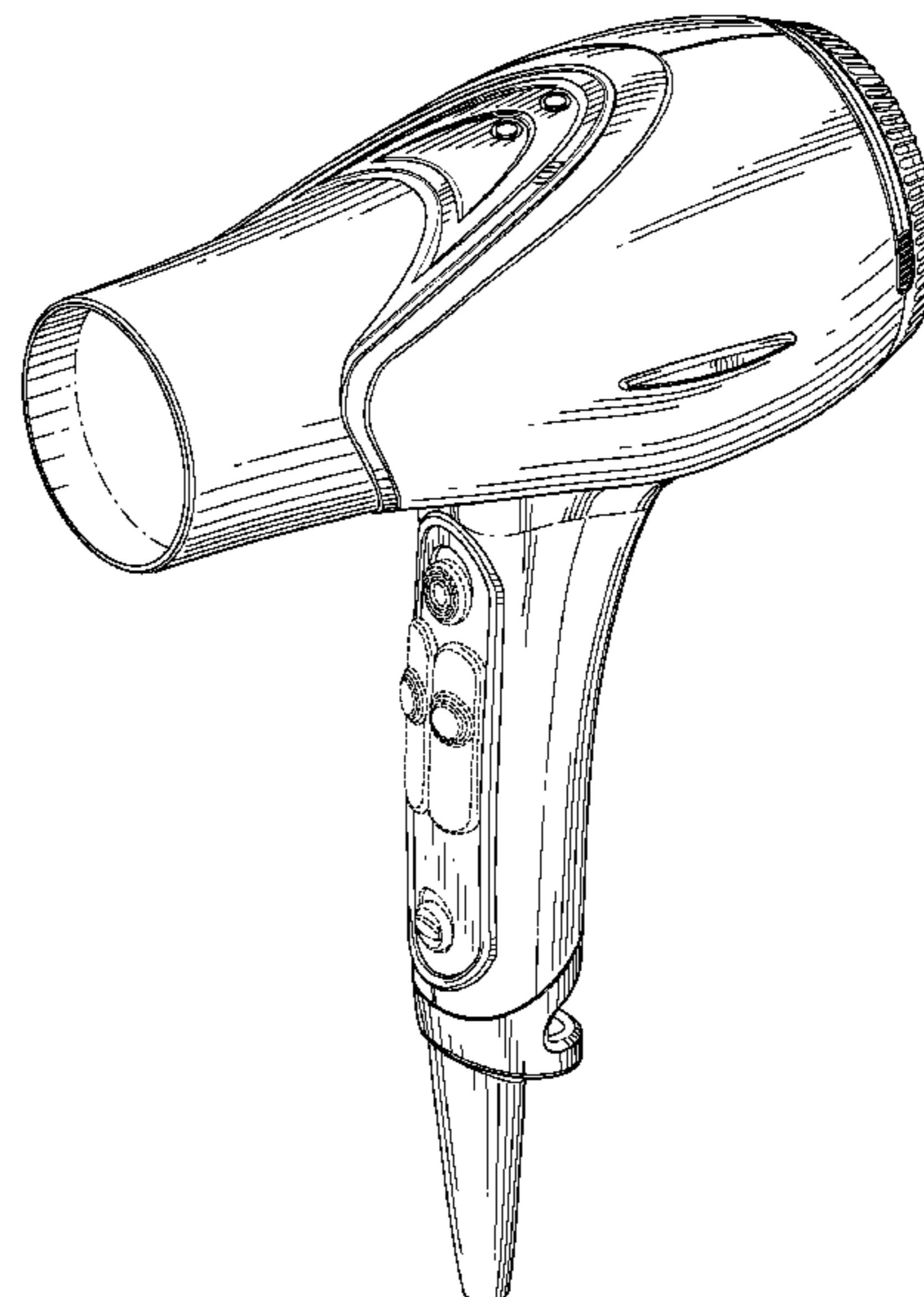
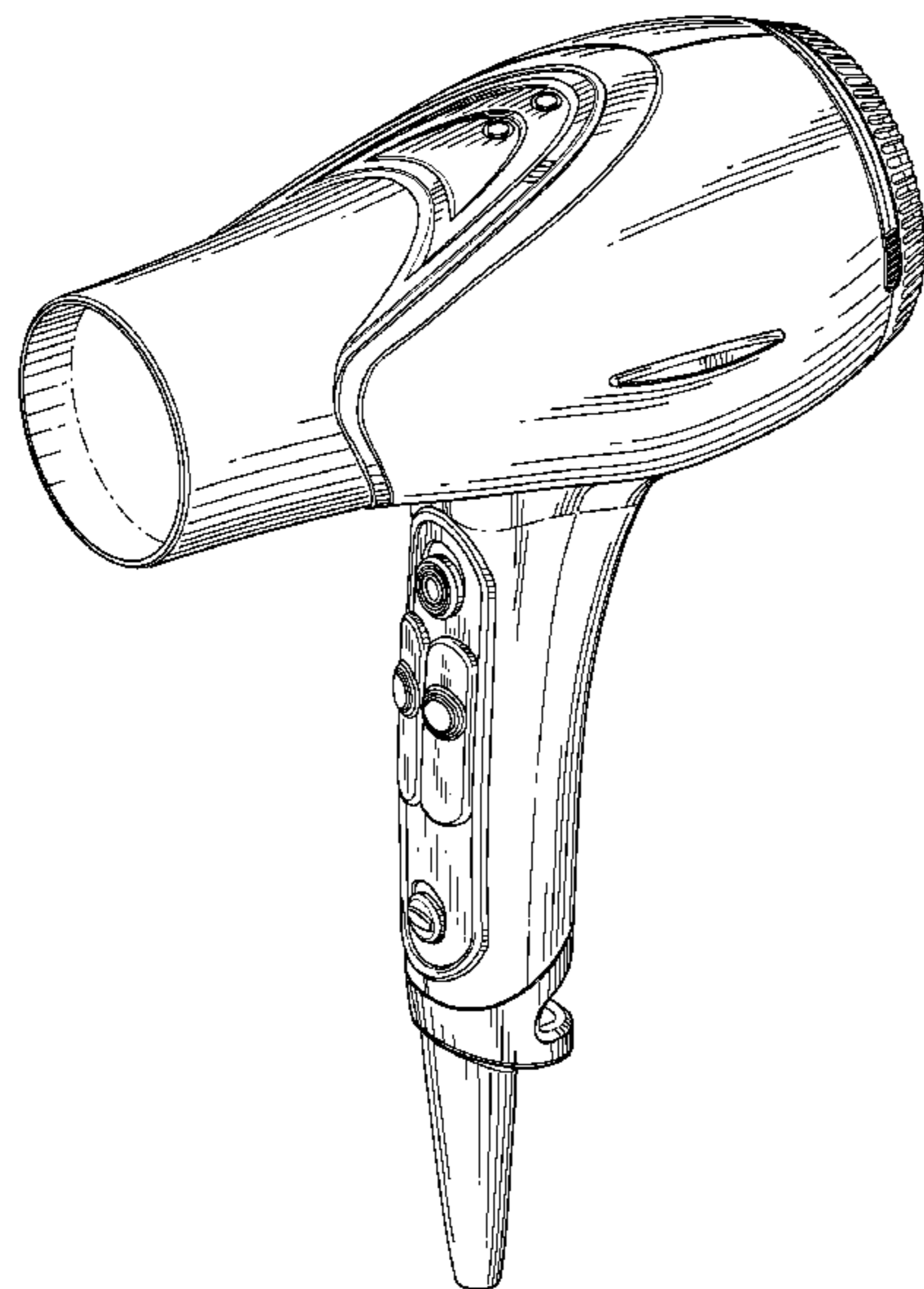
FIG. 12 is right side elevation view of FIG. 9.

FIG. 13 is a front side elevation view of FIG. 9; and,

FIG. 14 is a bottom plan view of FIG. 9.

The dot-dash lines in the drawing are boundary lines that form no part of the claimed design.

**1 Claim, 11 Drawing Sheets**



# US D637,347 S

Page 2

---

## U.S. PATENT DOCUMENTS

D580,594 S \* 11/2008 Leung ..... D28/13  
D581,590 S \* 11/2008 Leung ..... D28/13  
D600,406 S \* 9/2009 Leung ..... D28/13  
D606,249 S \* 12/2009 Leung ..... D28/13

## OTHER PUBLICATIONS

U.S. Appl. No. 29/335,836, filed Apr. 22, 2009; Inventor: Ingo Schmitz.  
U.S. Appl. No. 29/336,040, filed Apr. 27, 2009; Inventor: Christoph Speh.

U.S. Appl. No. 29/336,088, filed Apr. 28, 2009; Inventor: Christoph Speh.

U.S. Appl. No. 29/336,101, filed Apr. 28, 2009; Inventor: Christoph Speh.

U.S. Appl. No. 29/336,973, filed May 13, 2009; Inventor: Ingo Schmitz.

U.S. Appl. No. 29/336,975, filed May 13, 2009; Inventor: Ingo Schmitz.

\* cited by examiner

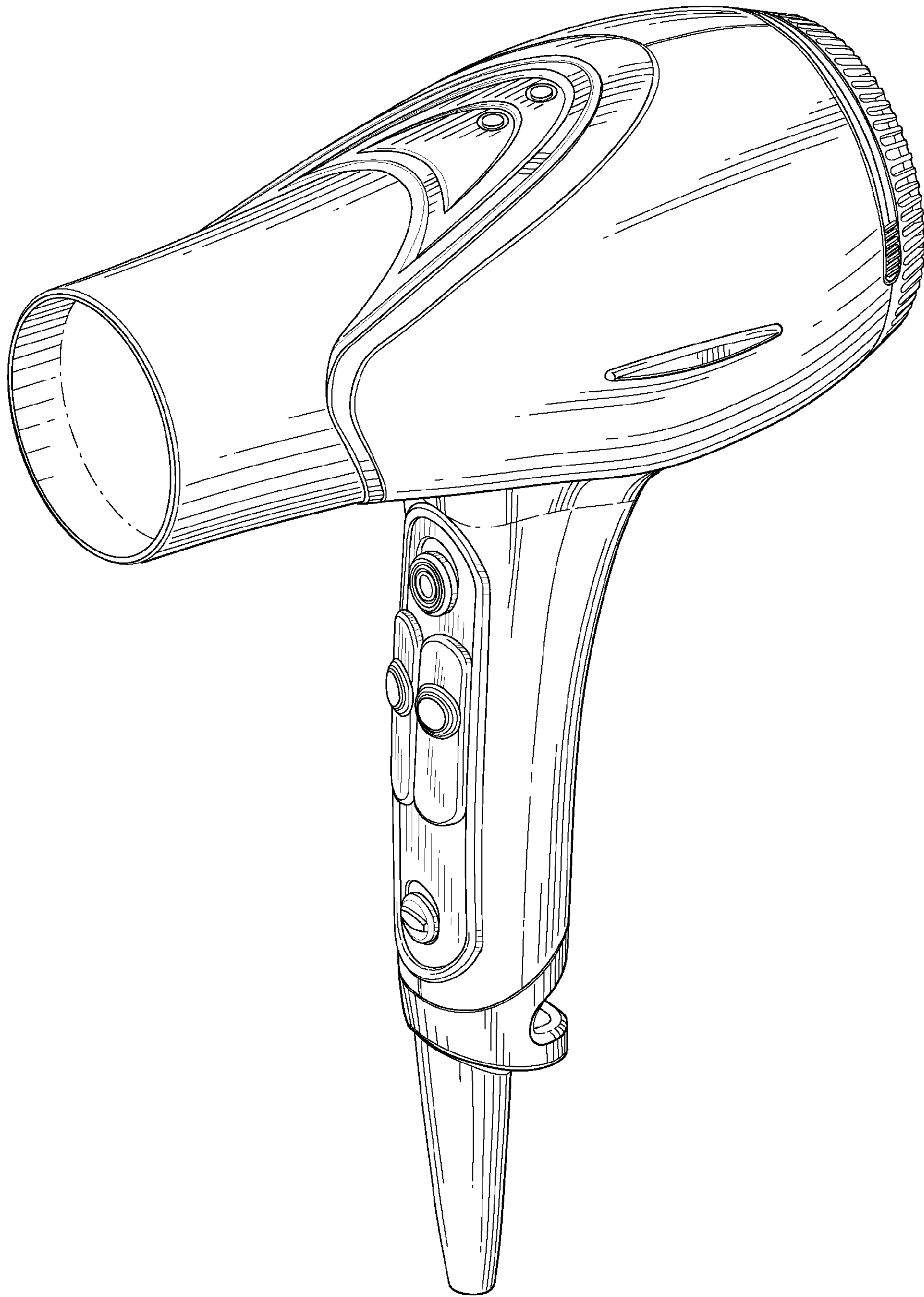


FIG.1

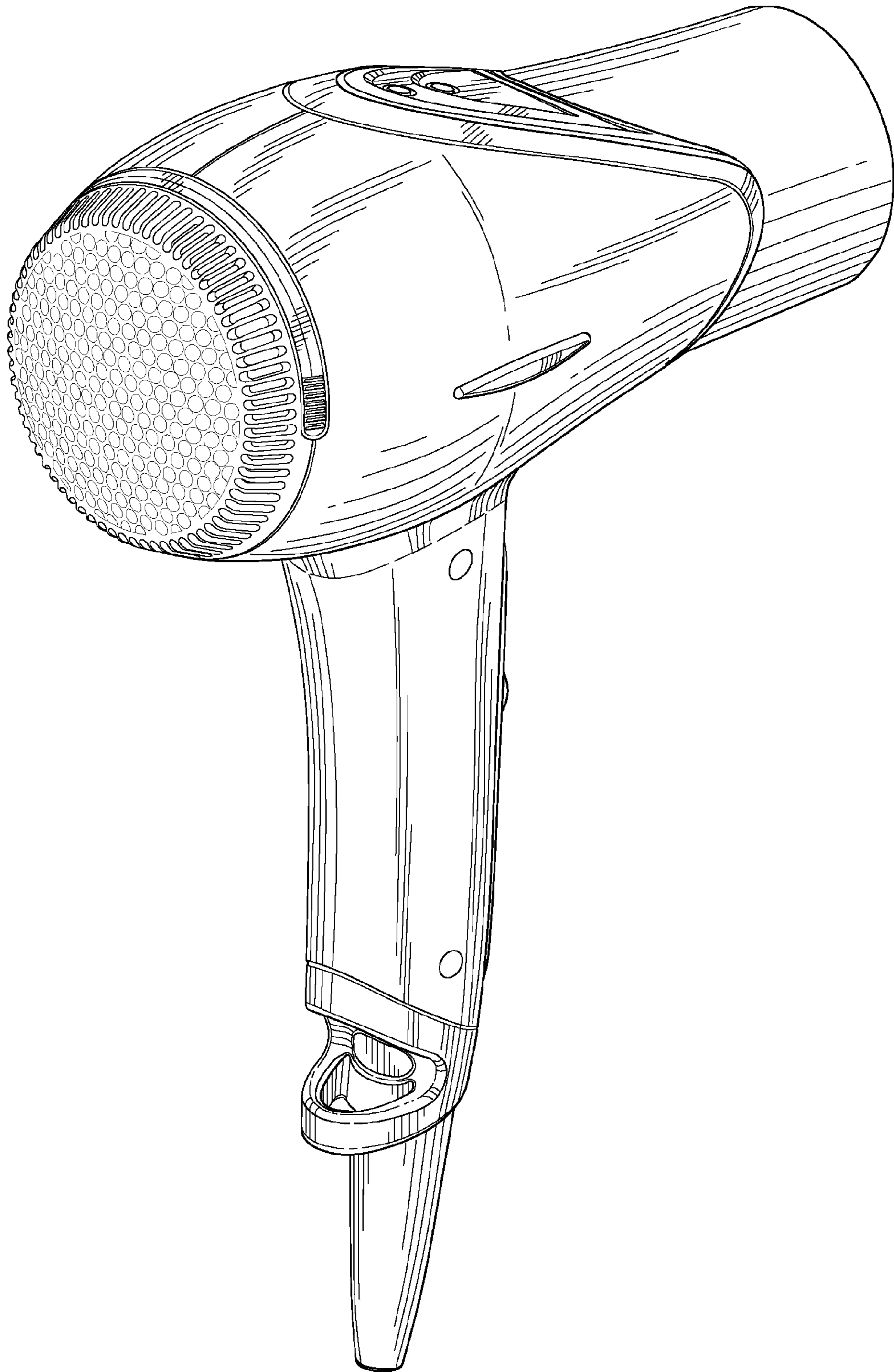


FIG.2

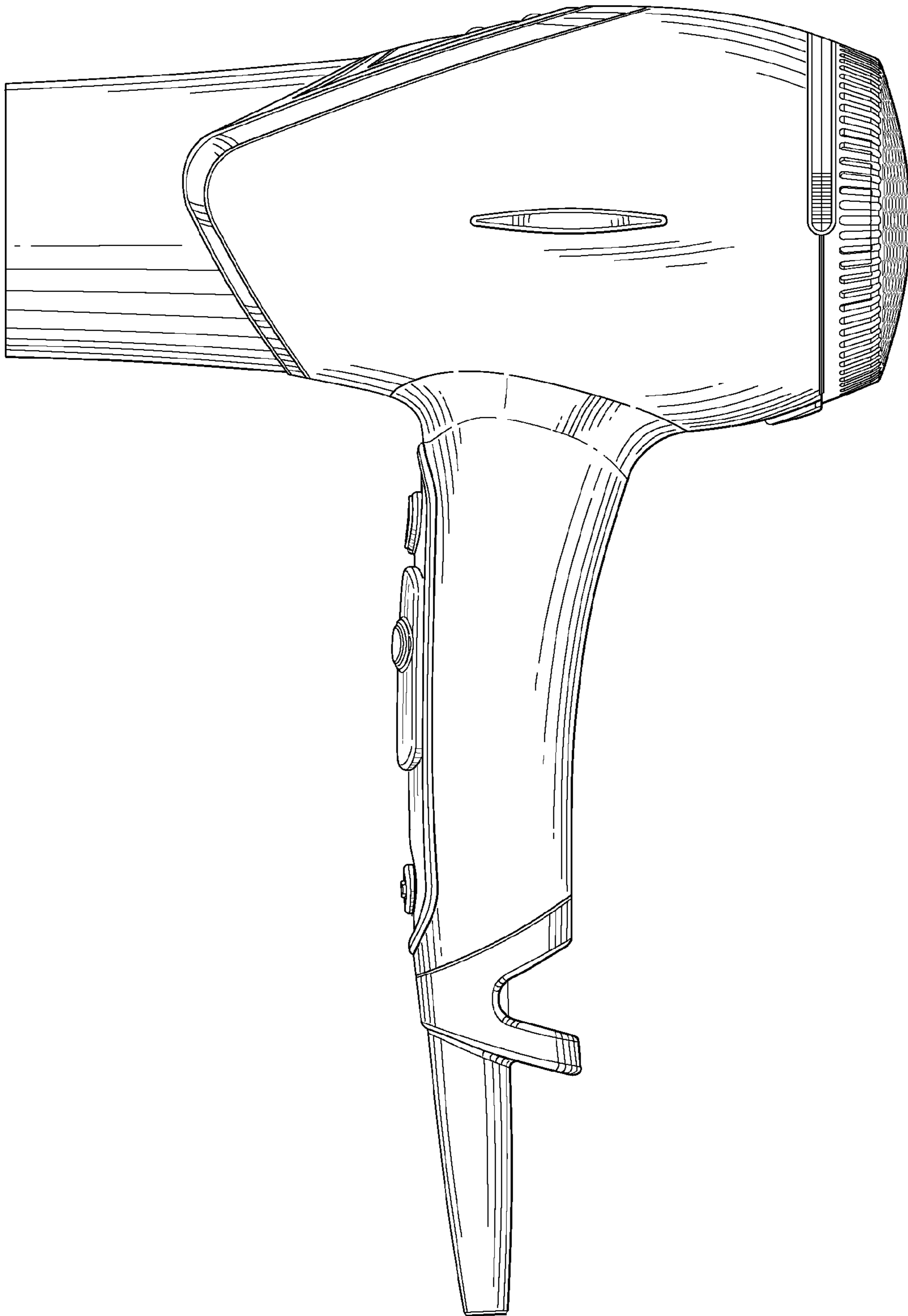


FIG.3

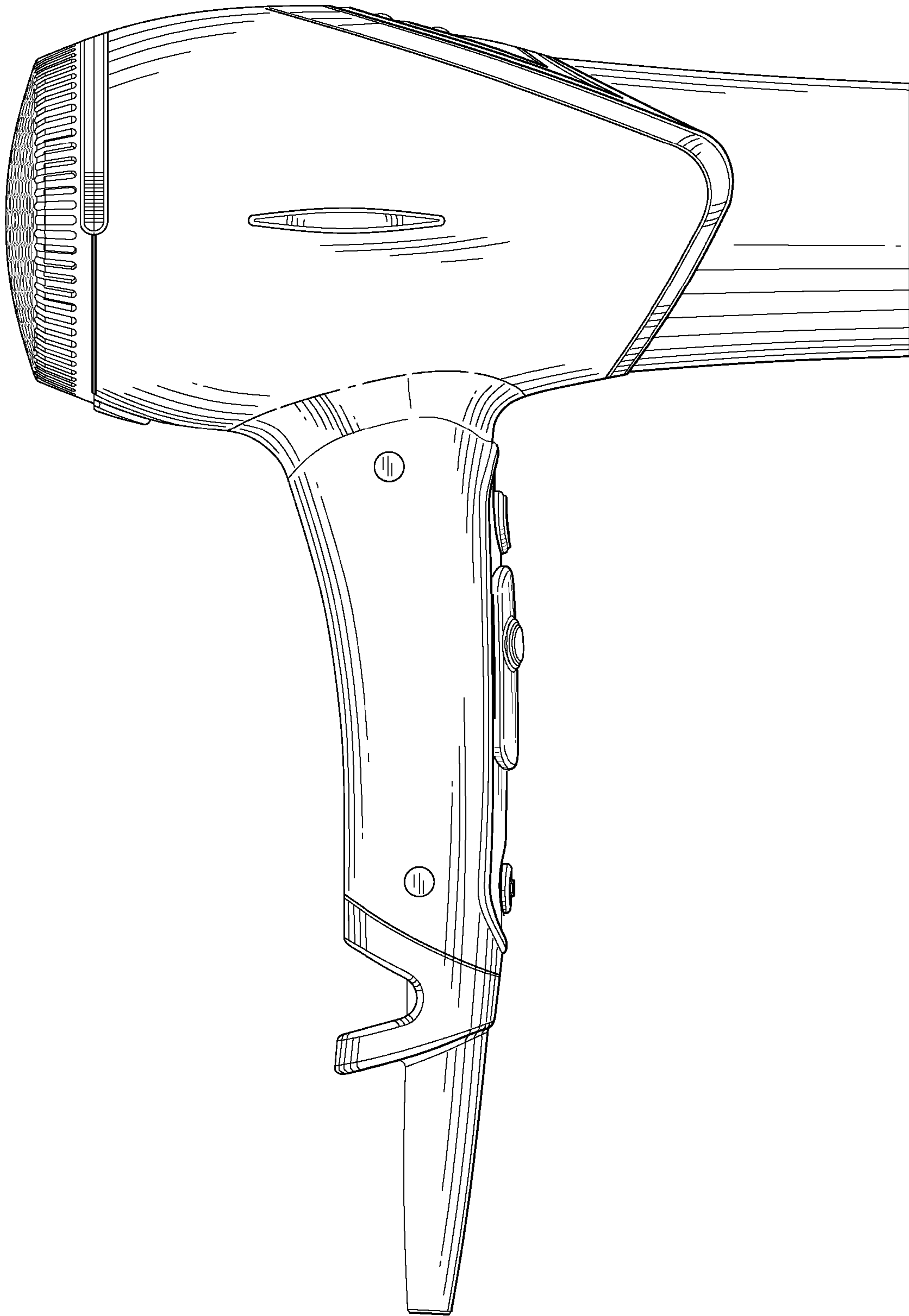


FIG.4

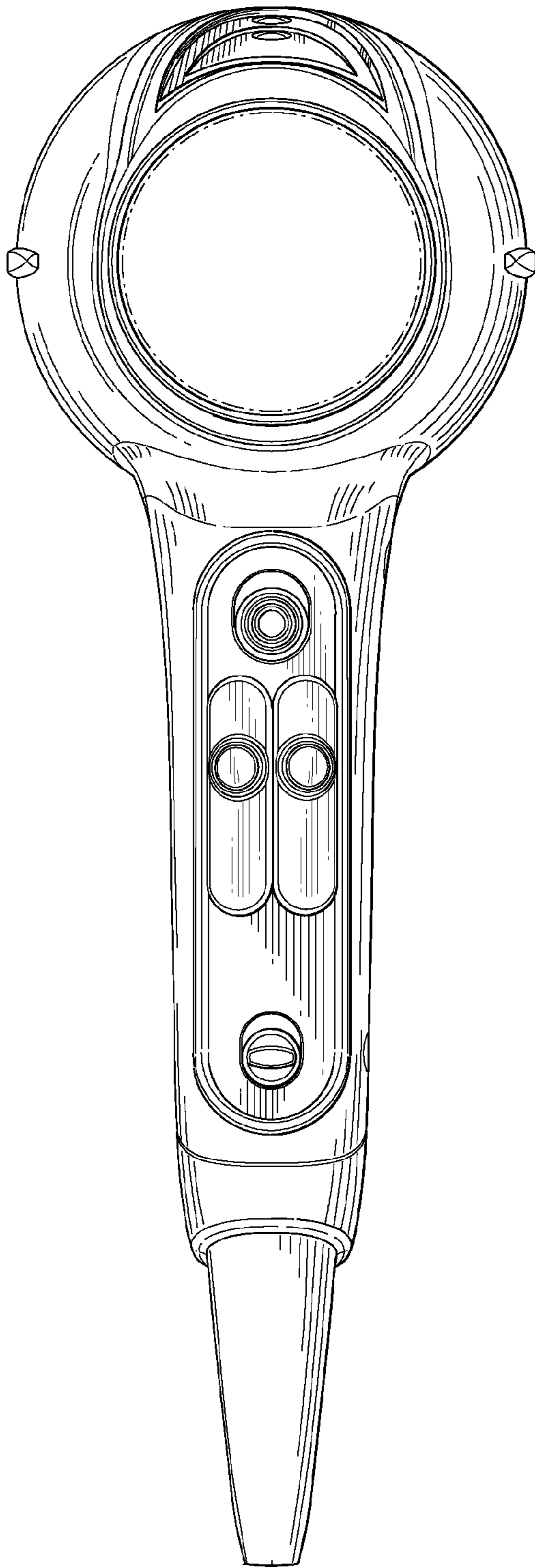


FIG. 5

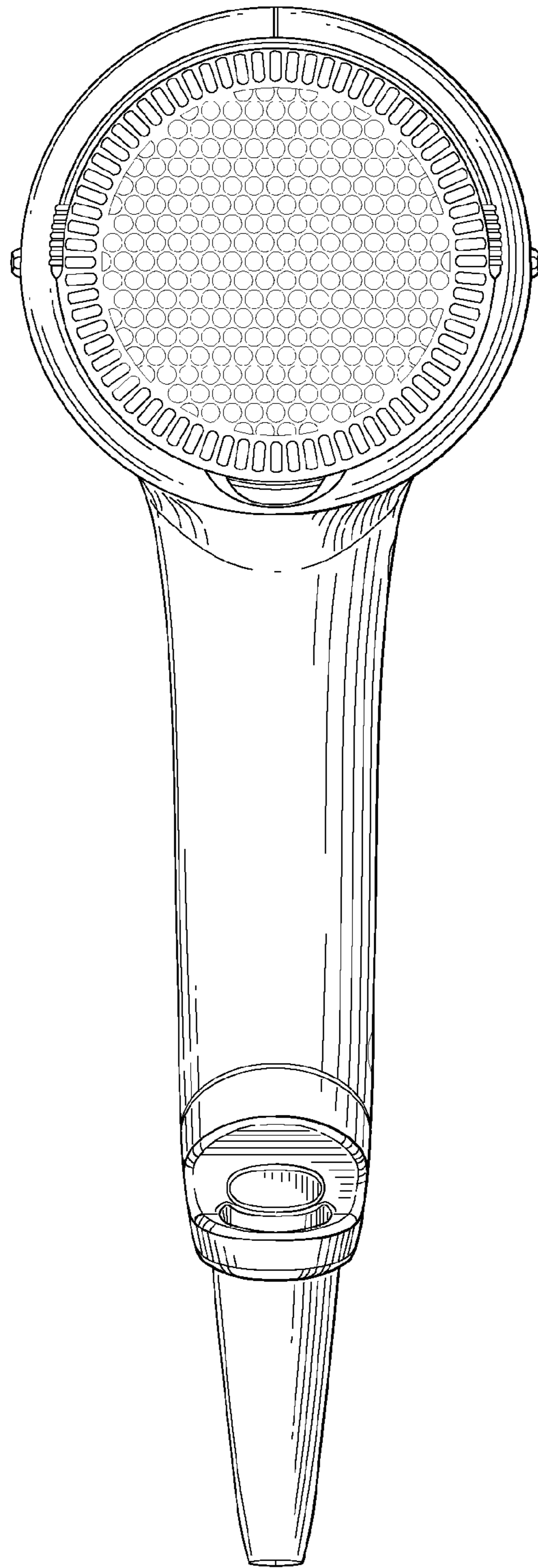


FIG. 6

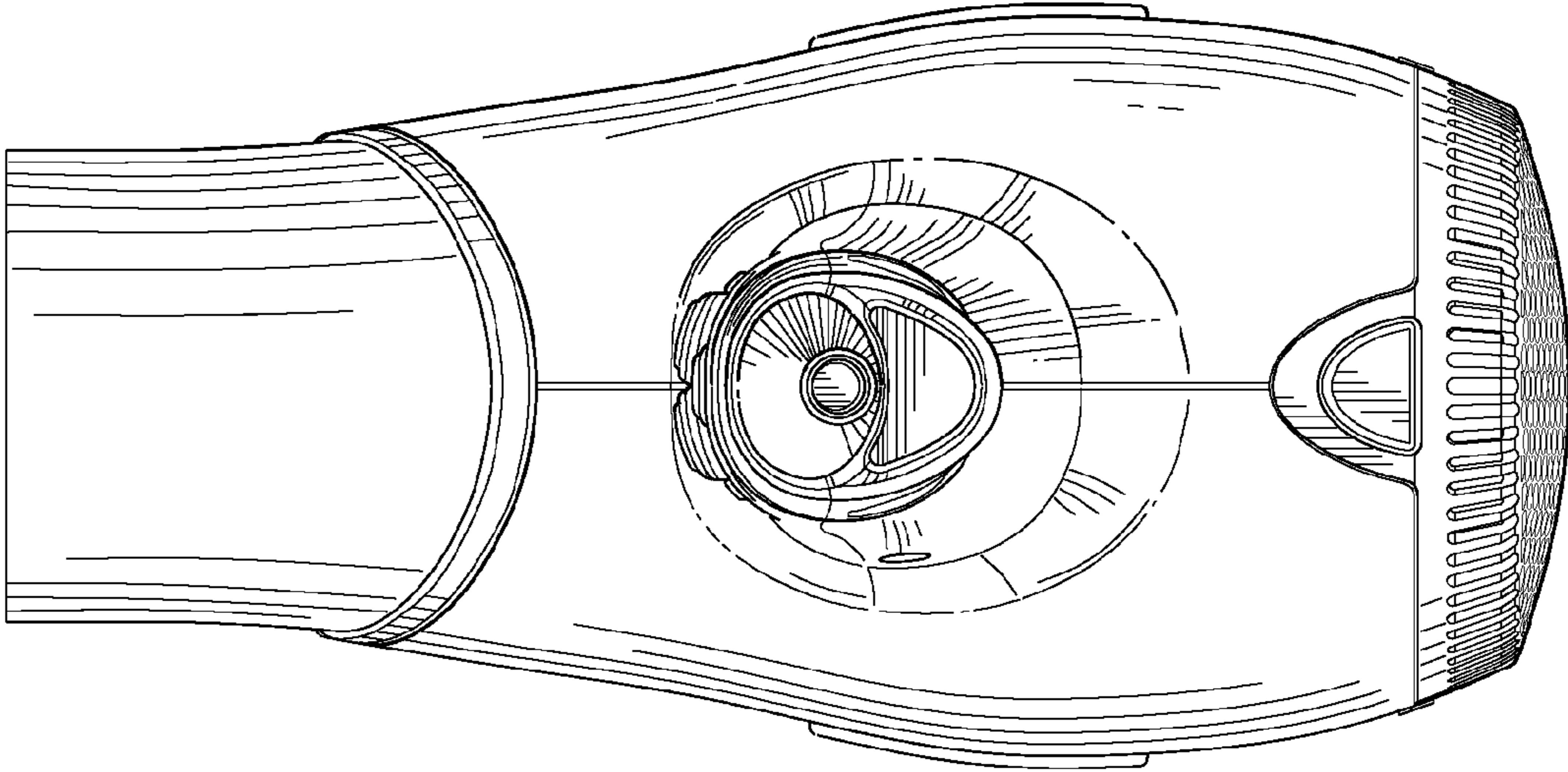


FIG. 8

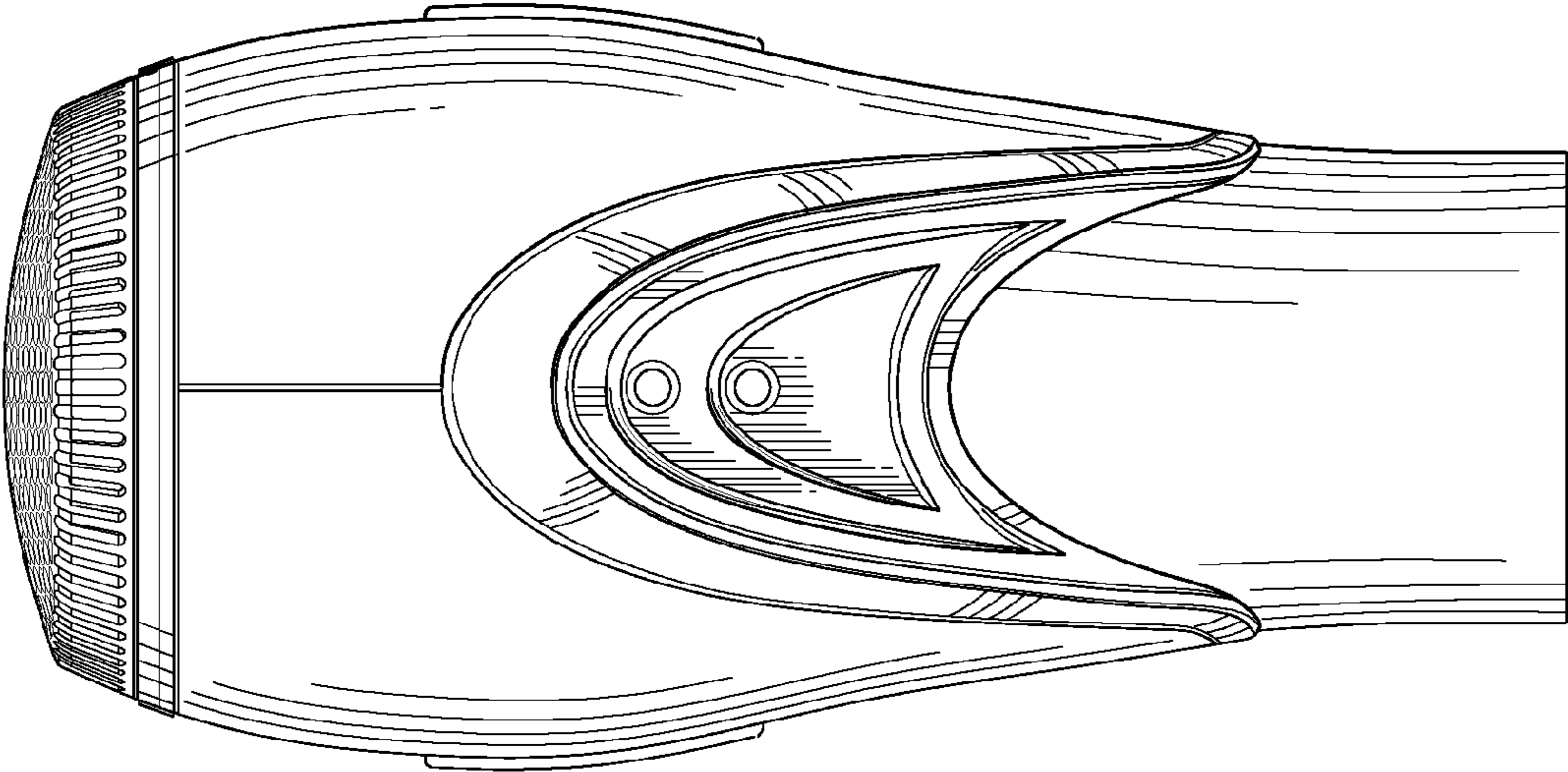


FIG. 7



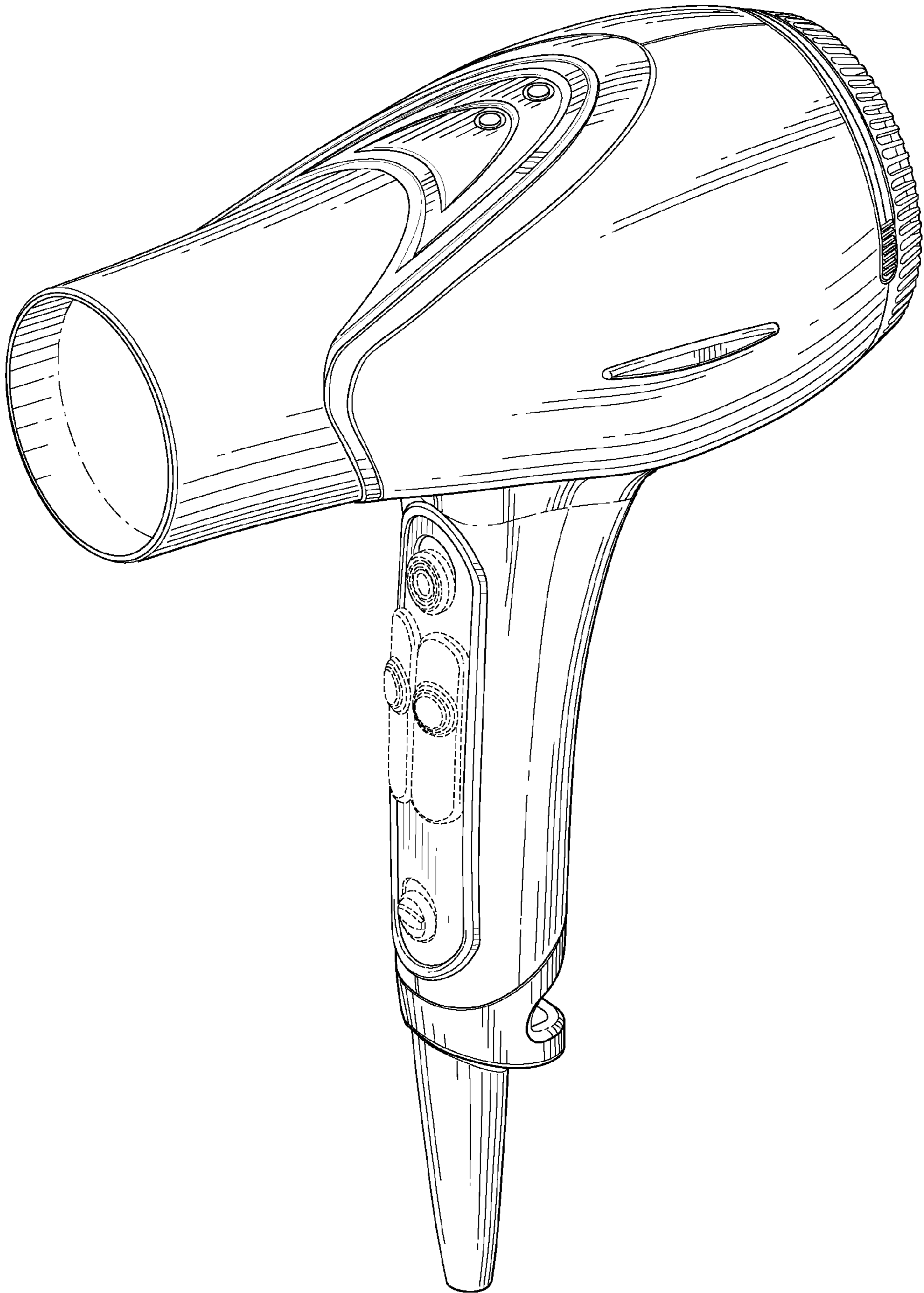


FIG.9

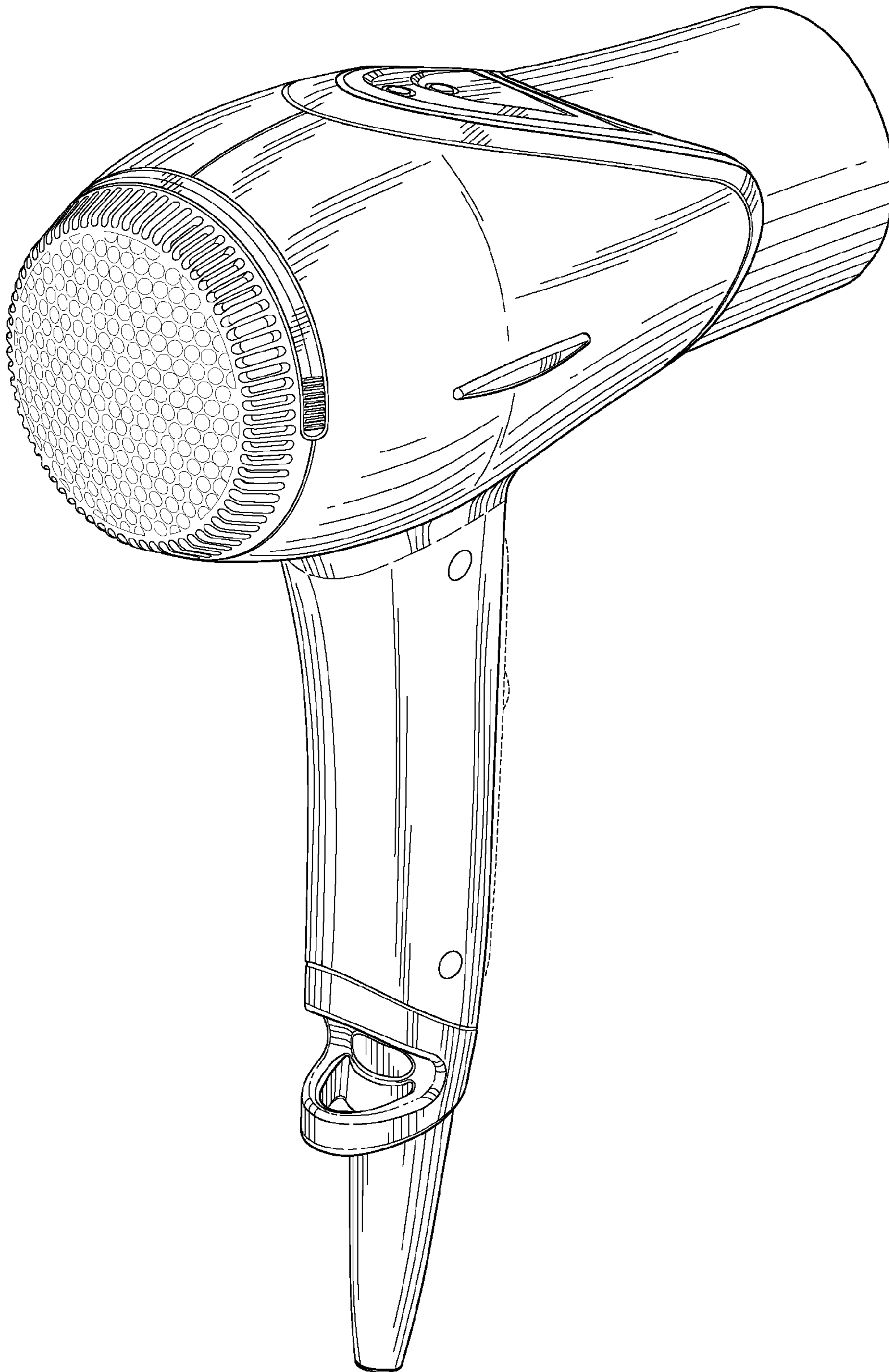


FIG.10

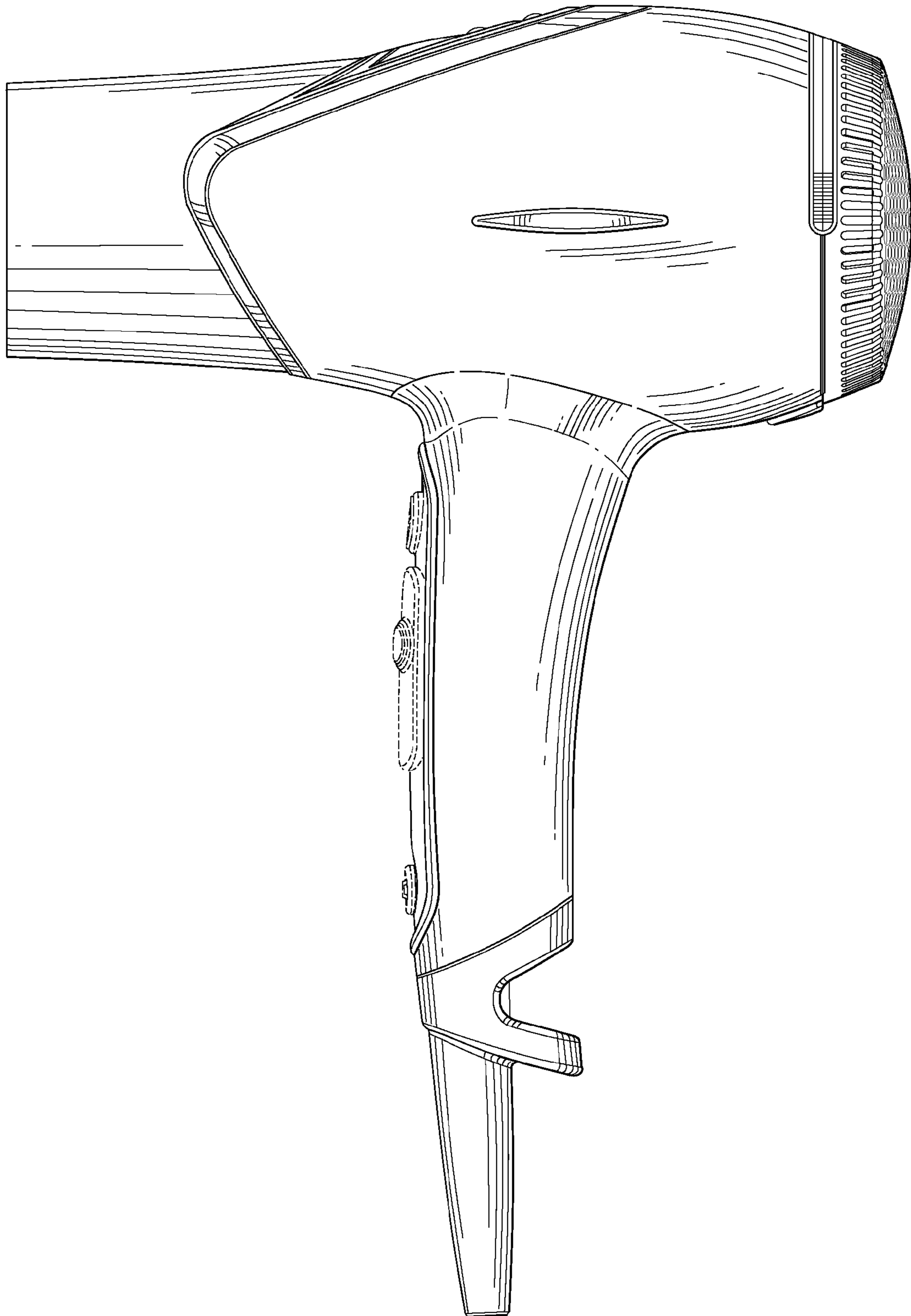


FIG.11

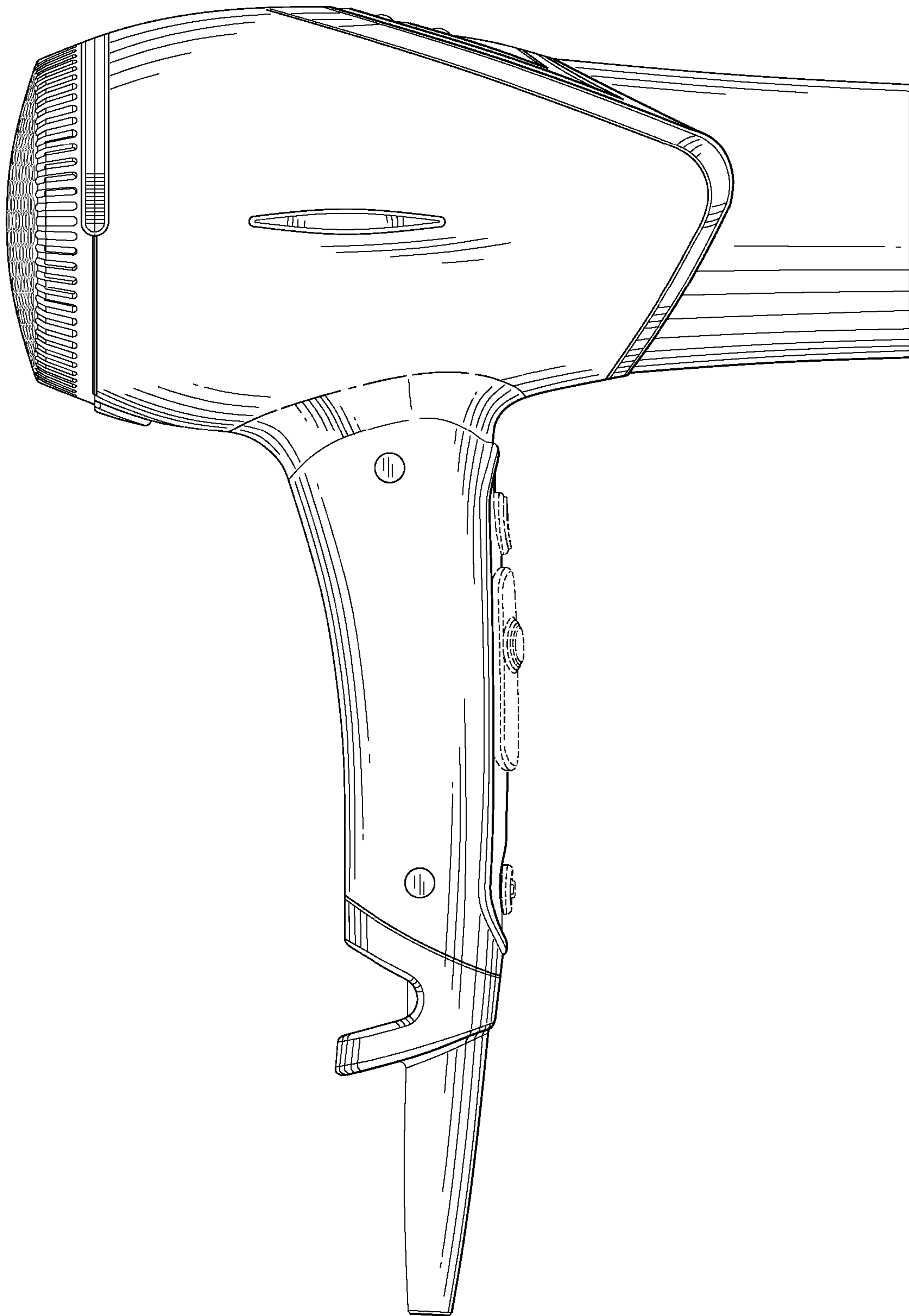


FIG.12

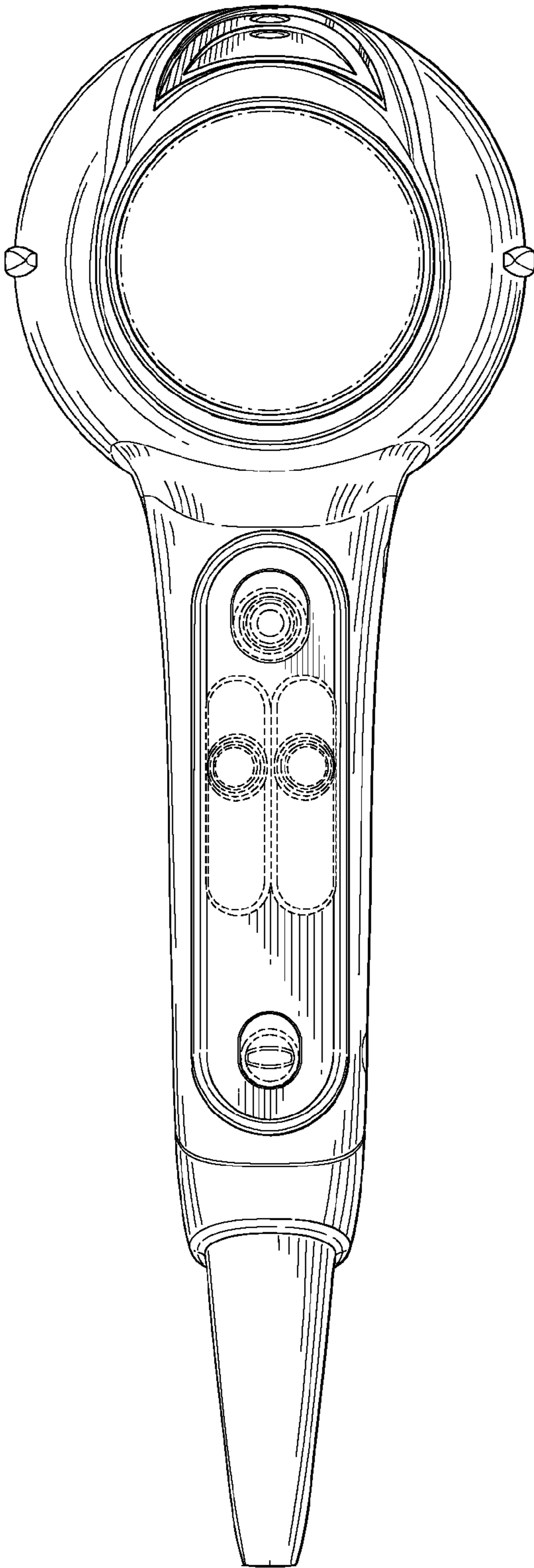


FIG.13

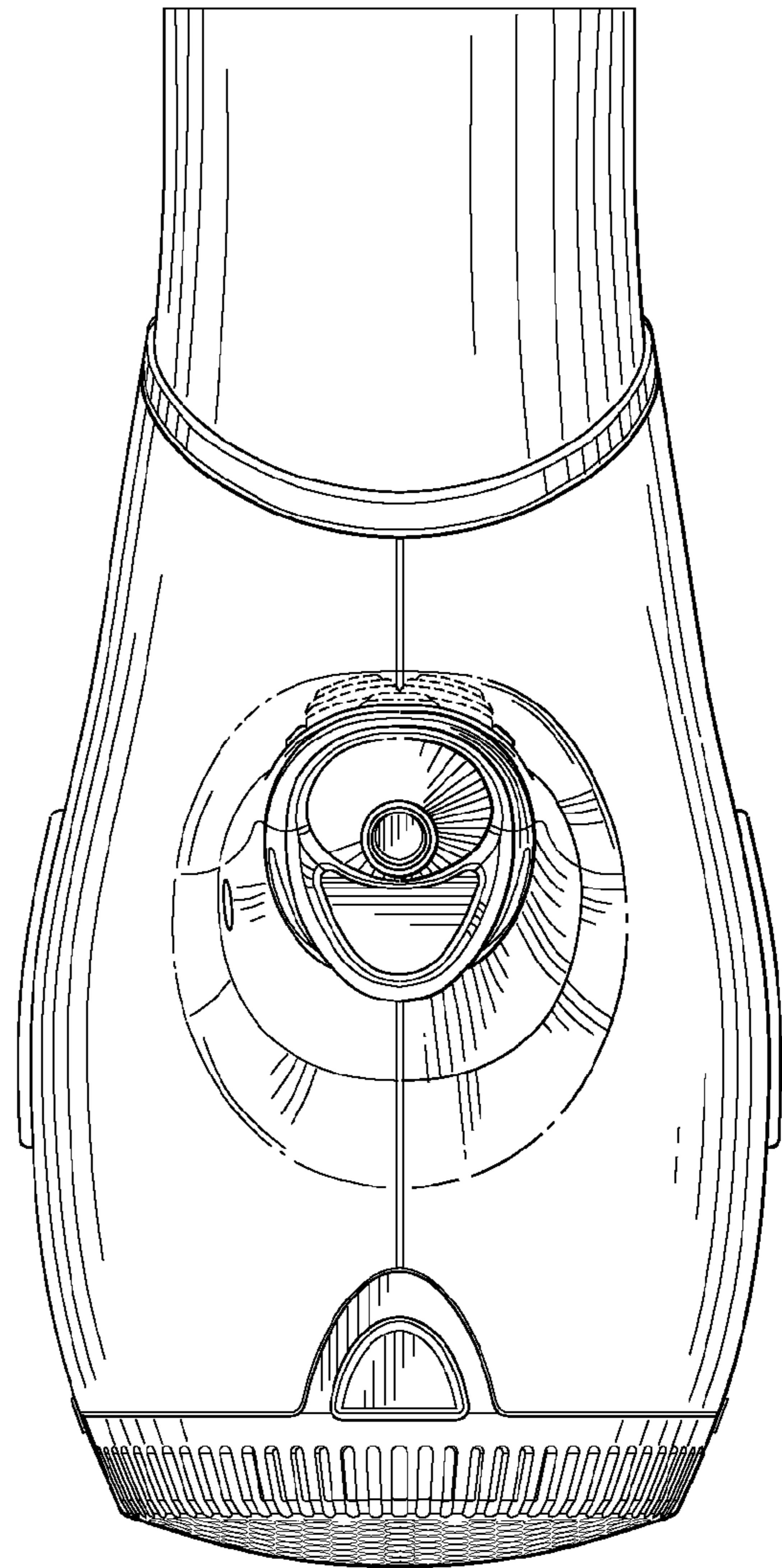


FIG.14