



US00D637346S

(12) **United States Design Patent**
Baker et al.

(10) **Patent No.:** **US D637,346 S**

(45) **Date of Patent:** **** May 3, 2011**

(54) **FLEXIBLE MULTI-POSITIONABLE ROD SUPPORT FOR LIGHT FIXTURE**

(75) Inventors: **John B. Baker**, Aptos, CA (US); **Erik Sowder**, Santa Cruz, CA (US)

(73) Assignee: **ExpoImaging, Inc.**, Watsonville, CA (US)

(**) Term: **14 Years**

(21) Appl. No.: **29/362,771**

(22) Filed: **May 28, 2010**

(51) **LOC (9) Cl.** **26-99**

(52) **U.S. Cl.** **D26/138**

(58) **Field of Classification Search** D26/138, D26/63, 128, 124, 24, 87, 145, 155, 140, D26/85, 113, 142, 118, 64, 2, 3, 68, 71, 67, D26/75, 65, 120; 362/219, 249.01, 249.02, 362/249.03, 249.04, 249.05, 249.06, 249.07, 362/249.08, 249.09, 249.1, 249.11, 580, 362/373, 290, 362, 183, 240, 294; D7/532, D7/530, 529, 523, 531, 587; D11/152, 153, D11/146; D16/134, 135, 101; 439/110, 439/698, 417, 320; D13/134, 179, 180
See application file for complete search history.

(56) **References Cited**

U.S. PATENT DOCUMENTS

D93,321	S	*	9/1934	Arras	D26/128
D148,099	S	*	12/1947	Tanchuck	D26/140
D207,551	S	*	5/1967	Spaulding	D26/71
3,497,750	A	*	2/1970	Knochel et al.	313/503
3,500,036	A	*	3/1970	Szentveri	362/152
3,894,225	A	*	7/1975	Chao	362/249.08
4,173,035	A	*	10/1979	Hoyt	362/249.04
4,177,399	A	*	12/1979	Muccigrosso et al.	313/368
4,458,177	A	*	7/1984	Hunter et al.	313/511
4,513,023	A	*	4/1985	Wary	427/511
4,730,146	A	*	3/1988	Maser et al.	313/511
4,824,194	A	*	4/1989	Karasawa	385/146
4,934,093	A	*	6/1990	Yanna	47/33
4,945,675	A	*	8/1990	Kendrick	47/33

D320,865	S	*	10/1991	Chang	D26/108
D376,440	S	*	12/1996	Chan	D26/65
5,651,086	A	*	7/1997	Russell	385/146
D385,635	S	*	10/1997	Nebelsieck	D25/164
5,673,995	A	*	10/1997	Segaud	362/545
5,680,496	A	*	10/1997	Burkitt et al.	385/100
D402,393	S	*	12/1998	Kuo	D26/118
5,872,883	A	*	2/1999	Ohba et al.	385/129
D424,232	S	*	5/2000	Tihany	D26/87
6,123,443	A	*	9/2000	Conway	362/576
6,449,897	B1	*	9/2002	Gaston	47/33
6,630,783	B1	*	10/2003	Ono	313/498
6,732,666	B2	*	5/2004	Layt	111/105
D500,165	S	*	12/2004	Parres	D26/144

(Continued)

Primary Examiner — Cathron C Brooks
Assistant Examiner — Kevin K Rudzinski

(57) **CLAIM**

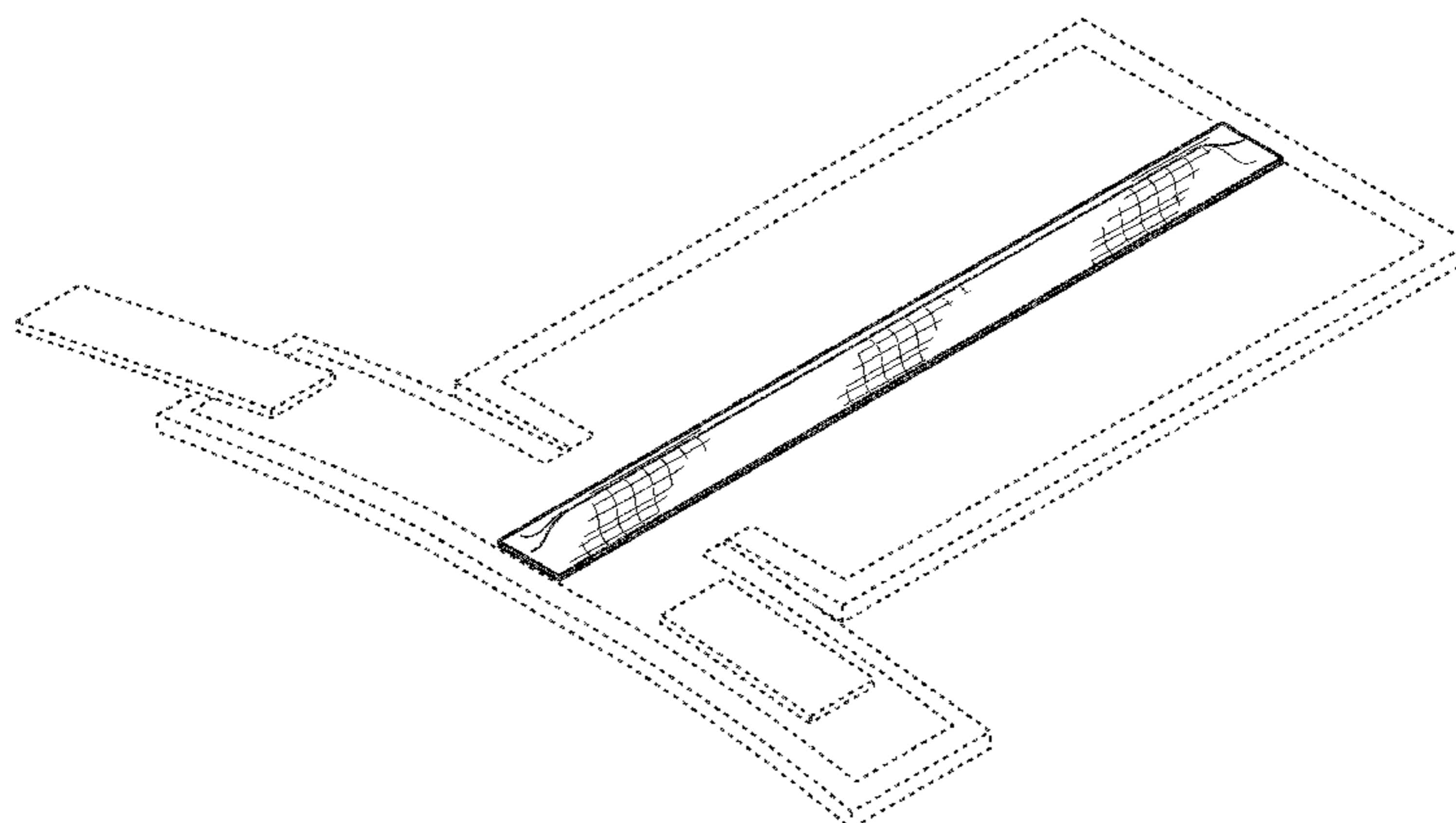
The ornamental design for a flexible multi-positionable rod support for light fixture, as shown and described.

DESCRIPTION

FIG. 1 is a lower right front perspective view of my flexible multi-positionable rod support for light fixture;
FIG. 2 is a front elevational view thereof;
FIG. 3 is a right side elevational view thereof;
FIG. 4 is a top plan view thereof;
FIG. 5 is a rear elevational view thereof;
FIG. 6 is a left side elevational view thereof;
FIG. 7 is a bottom plan view thereof;
FIG. 8 is a left front perspective view of my flexible multi-positionable rod support for light fixture shown in a position of use; and,
FIG. 9 is an upper left front perspective view of my flexible multi-positionable rod support for light fixture shown in another position of use.

The broken lines shown in the drawings illustrate a reflector and forms no part of the claimed design.
The characteristic feature of the design resides in the capability of the multi-flexible rod support to attain many shapes when in use installed on a light source.

1 Claim, 4 Drawing Sheets



US D637,346 S

Page 2

U.S. PATENT DOCUMENTS

D541,971 S *	5/2007	Hamel et al.	D26/85	D598,156 S	8/2009	Xiao et al.	
D544,131 S *	6/2007	Blackman	D26/85	D598,597 S *	8/2009	Lu et al.	D26/71
D548,872 S *	8/2007	Dubbeldam et al.	D26/85	D606,231 S *	12/2009	Sabernig	D26/85
D555,440 S *	11/2007	Murray	D8/1	D609,383 S *	2/2010	Chang	D26/71
D560,301 S	1/2008	Compton		D609,387 S *	2/2010	Compton	D26/85
D562,493 S *	2/2008	Chen	D26/88	D610,287 S	2/2010	Gill	
D564,691 S *	3/2008	Ertze Encinas et al.	D26/69	D617,032 S *	6/2010	Baylar	D26/85
7,347,606 B1 *	3/2008	Patten	362/565	D617,494 S *	6/2010	Lin	D26/142
D569,539 S *	5/2008	Behar et al.	D26/63	D622,432 S *	8/2010	Yan	D26/69
D577,455 S	9/2008	Zheng et al.					

* cited by examiner

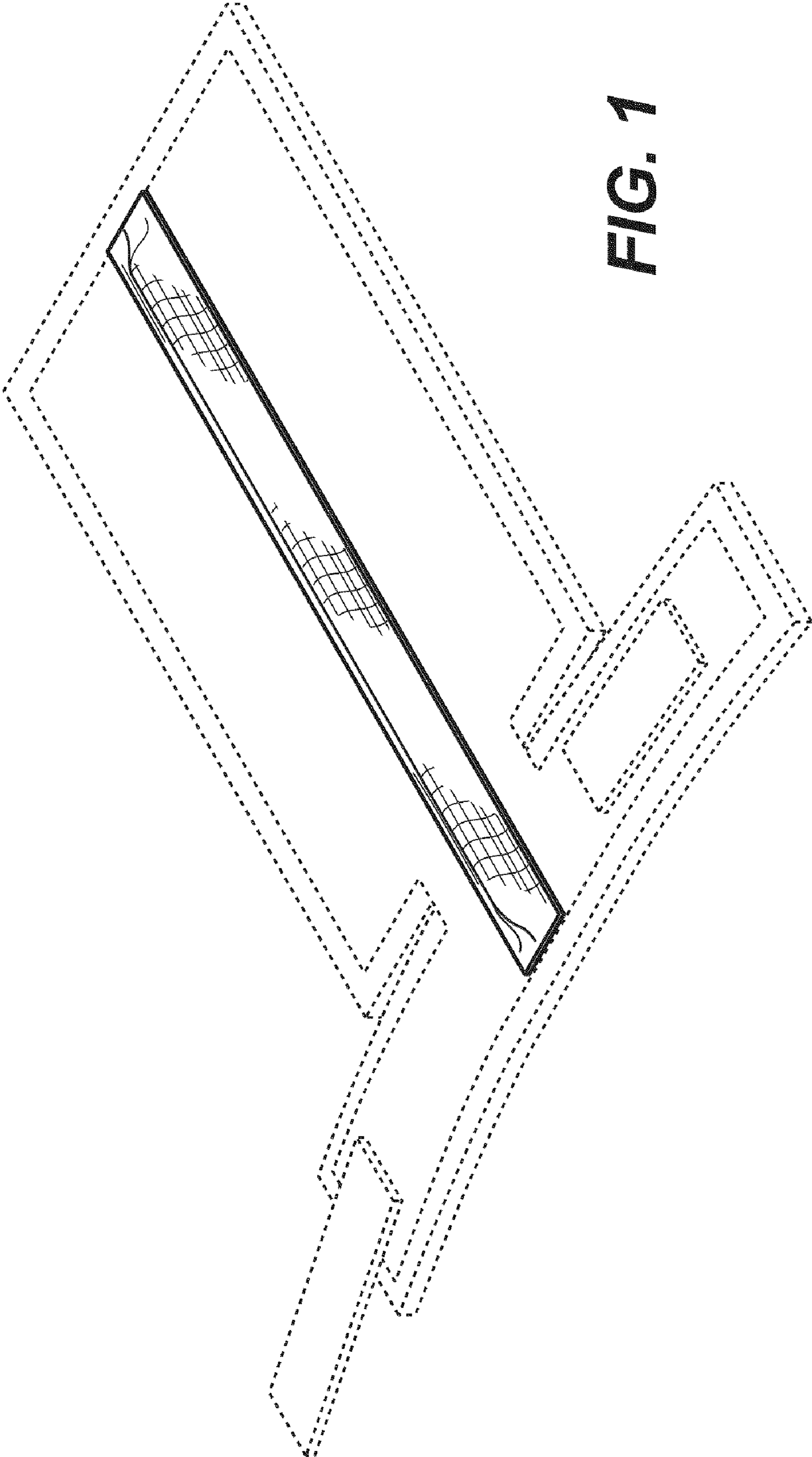


FIG. 1

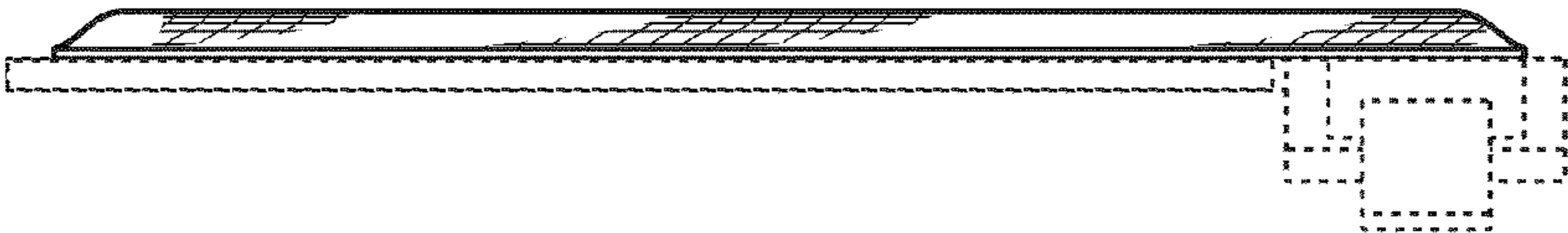


FIG. 3

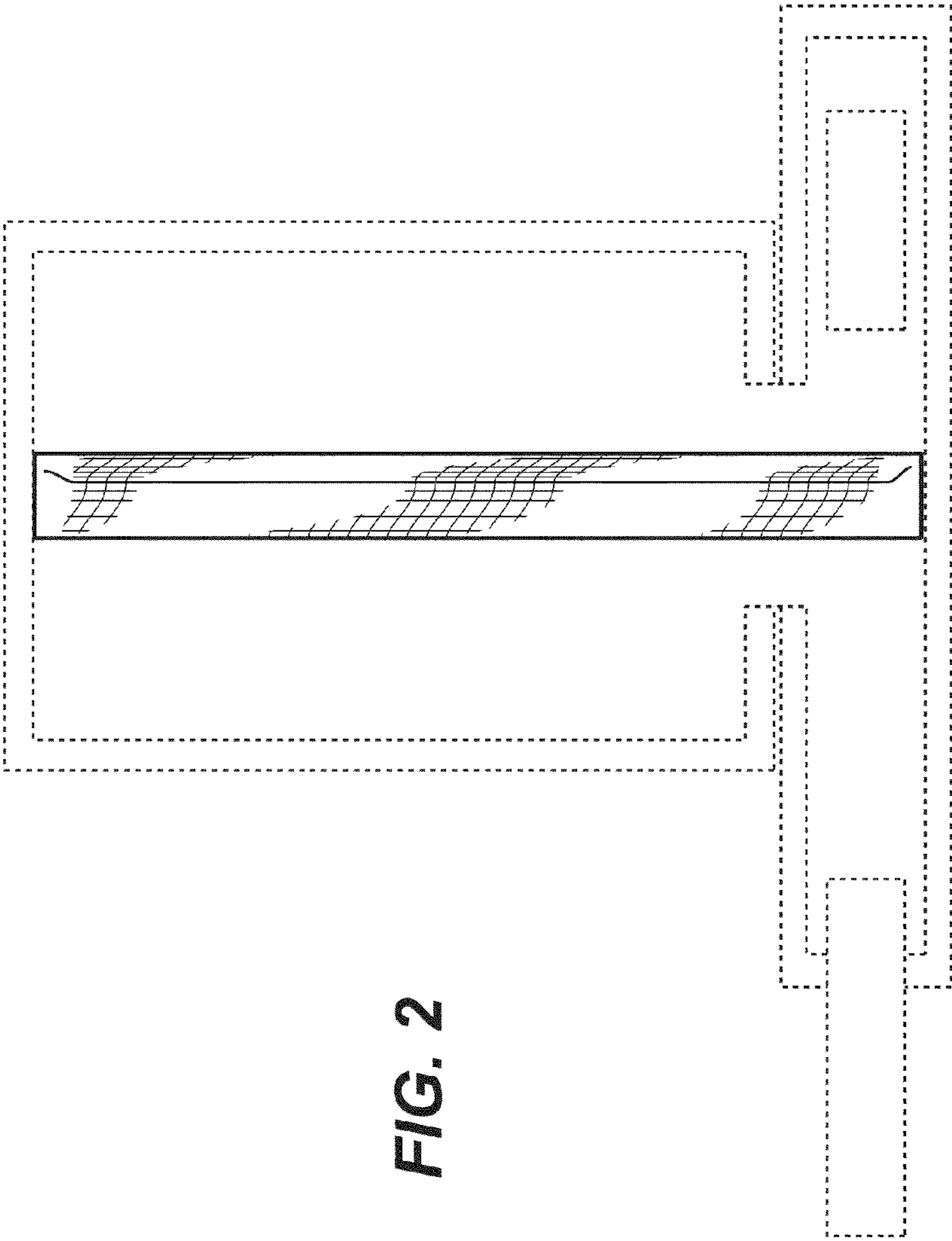


FIG. 2

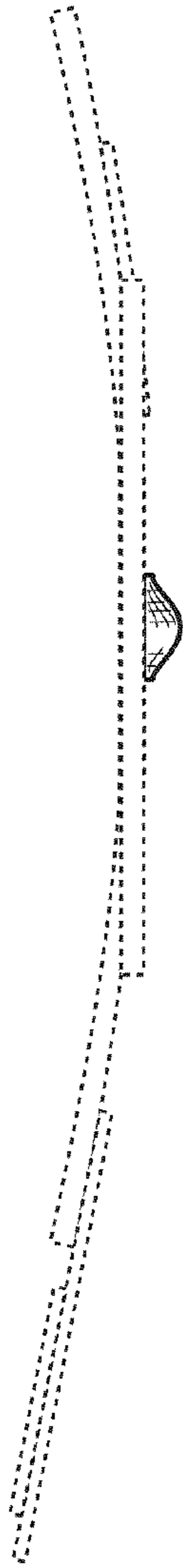


FIG. 4

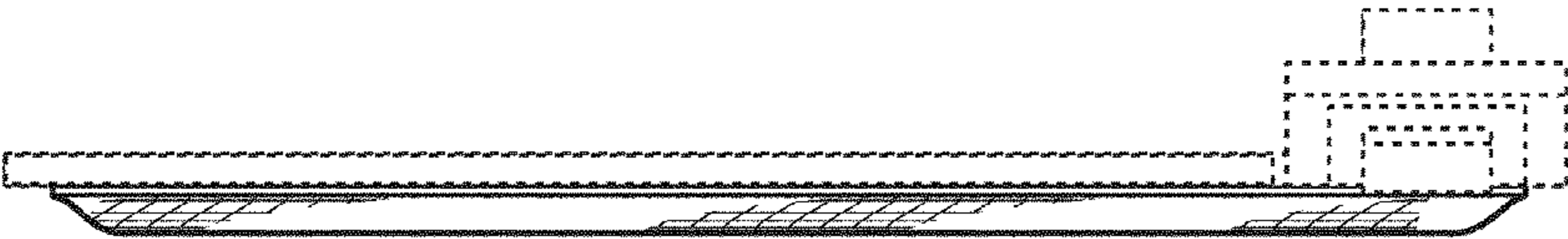


FIG. 5

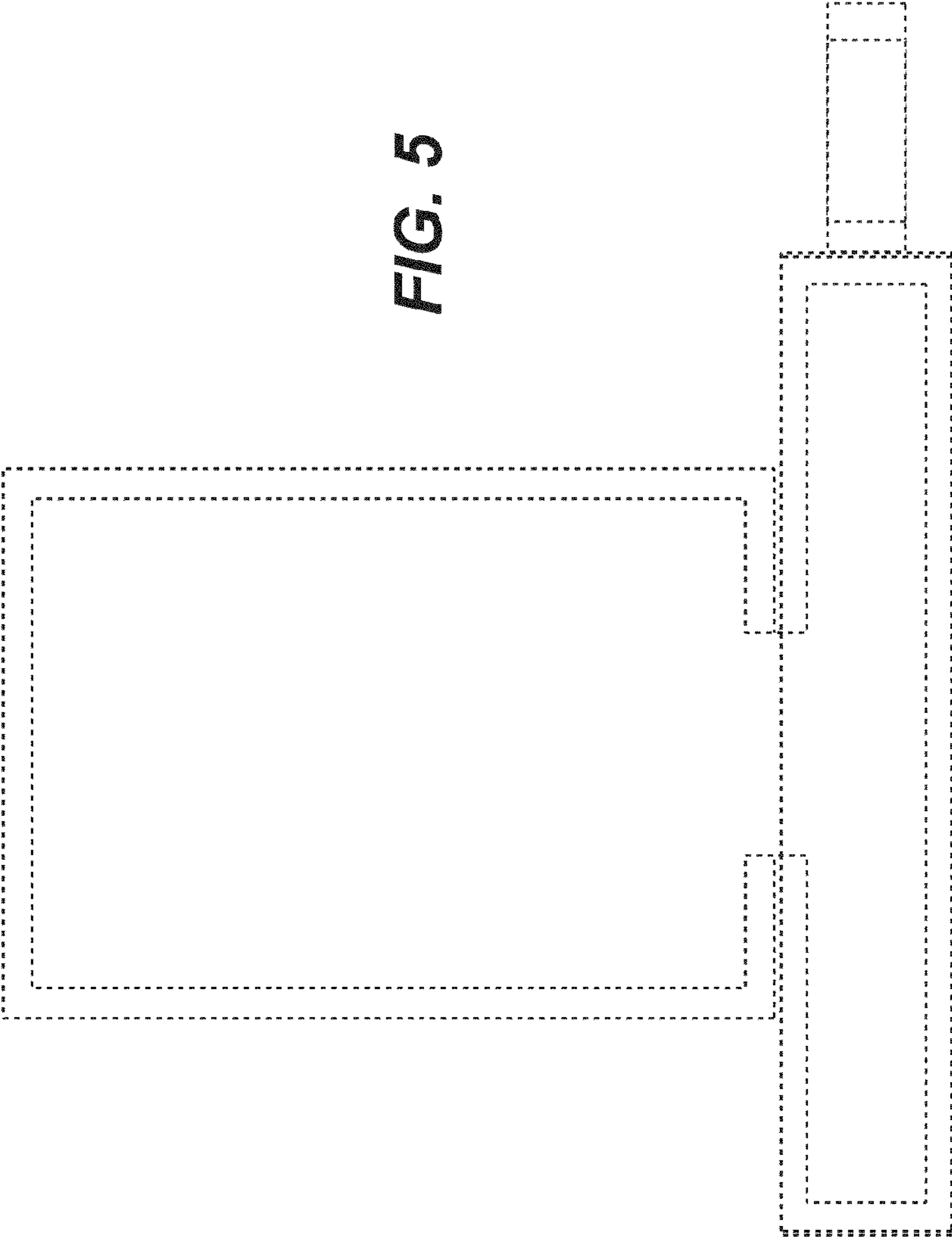


FIG. 6

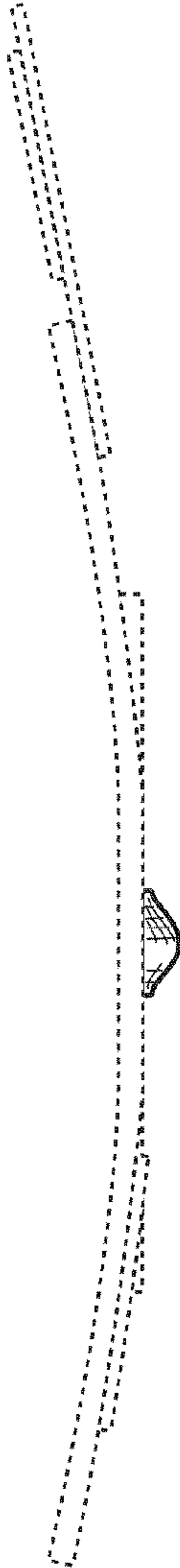


FIG. 7

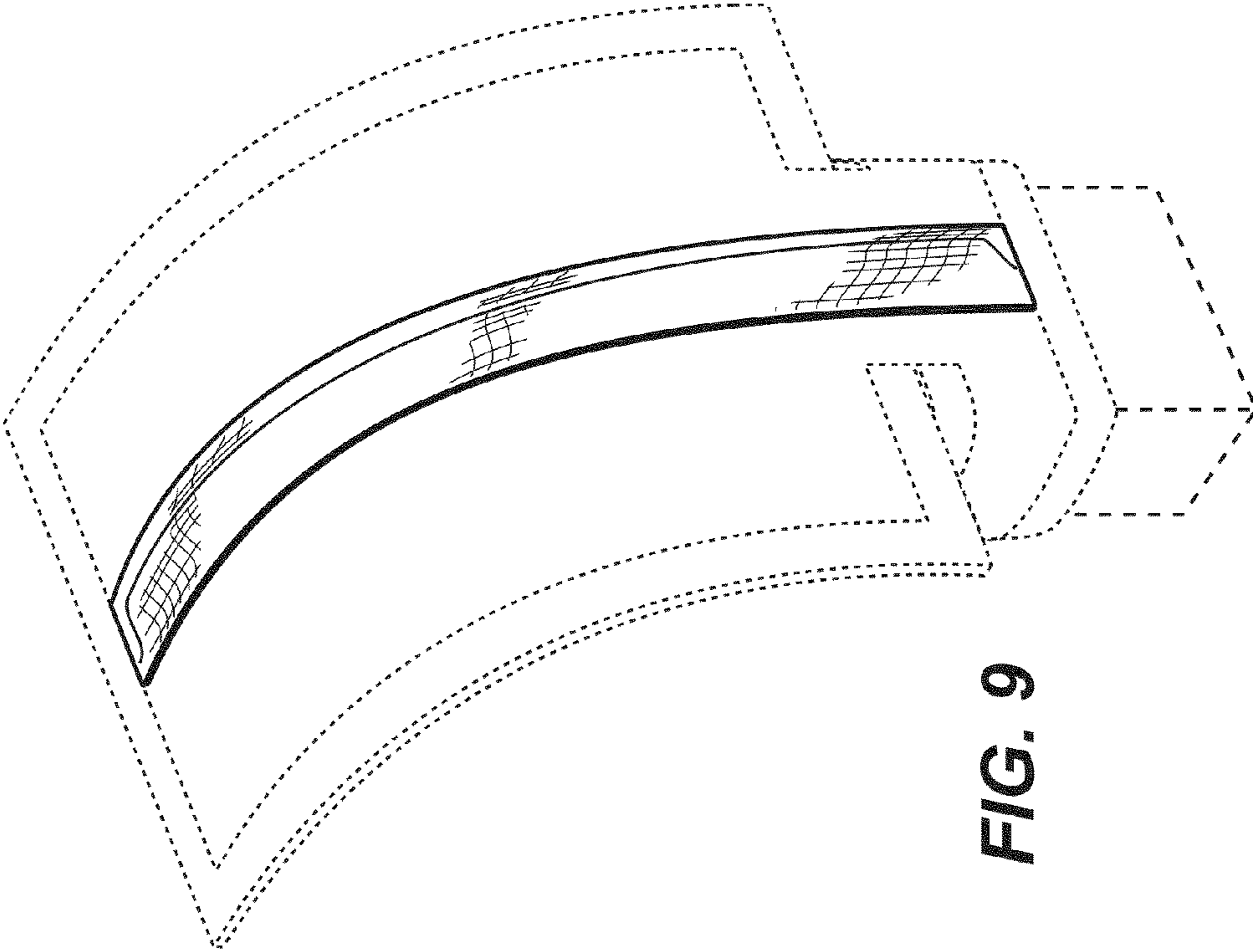


FIG. 9

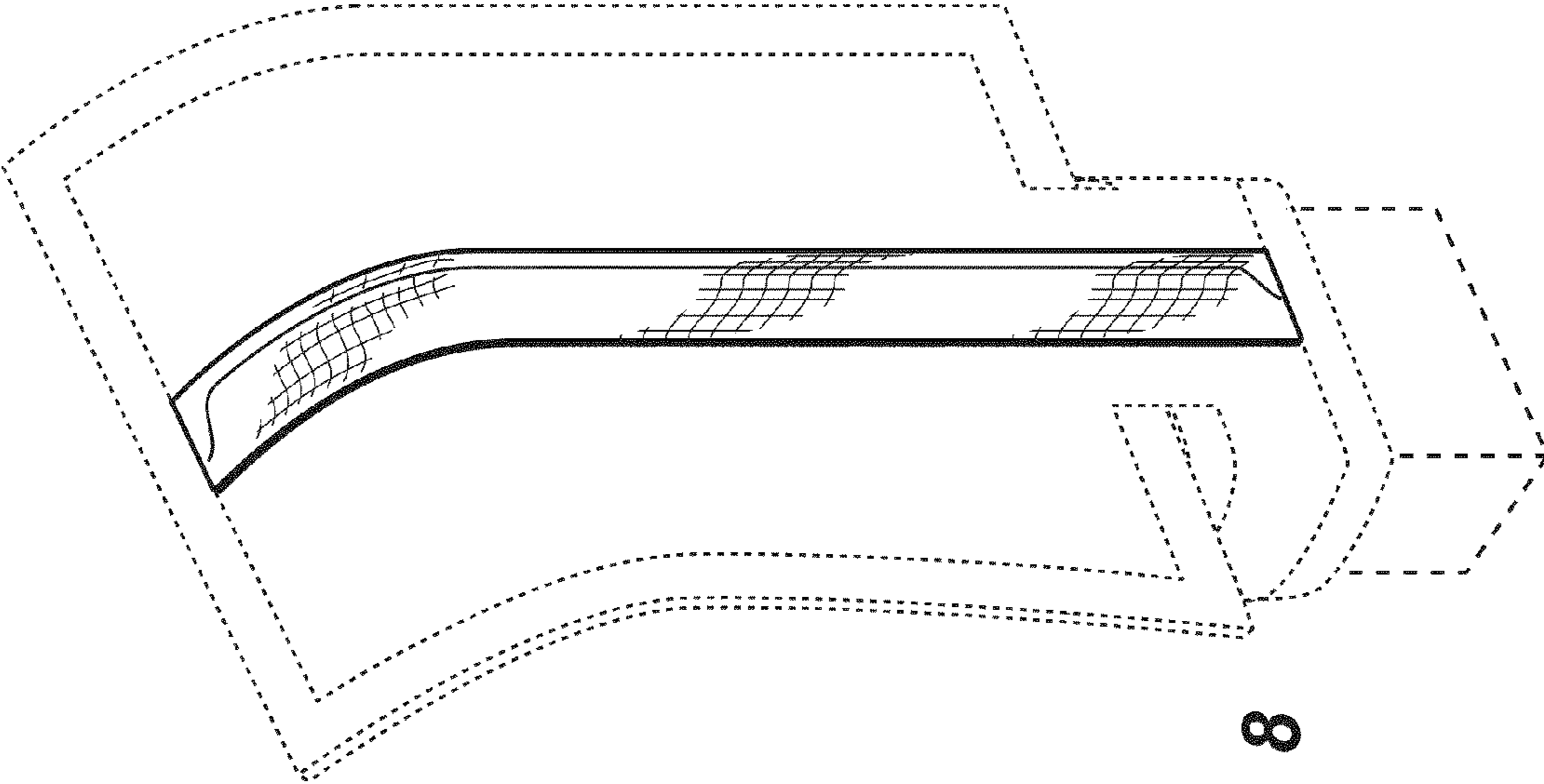


FIG. 8