



US00D637343S

(12) **United States Design Patent**
Kim et al.

(10) **Patent No.:** **US D637,343 S**

(45) **Date of Patent:** **** May 3, 2011**

(54) **LED LAMP**

(75) Inventors: **Han Gyoul Kim**, Seoul (KR); **Jin Wook Kim**, Seoul (KR)

(73) Assignee: **LG Innotek Co., Ltd.**, Seoul (KR)

(**) Term: **14 Years**

(21) Appl. No.: **29/360,135**

(22) Filed: **Apr. 21, 2010**

(30) **Foreign Application Priority Data**

Apr. 7, 2010 (KR) 30-2010-0015206

(51) **LOC (9) Cl.** **26-99**

(52) **U.S. Cl.** **D26/138**

(58) **Field of Classification Search** D26/2,
D26/118, 120, 129, 138, 63, 65, 128, 154,
D26/28, 119, 155, 142, 121, 122, 152, 123,
D26/124, 153, 130, 141, 92, 87, 93, 85, 145;
D11/89, 90, 91, 92; 273/153 S, 160; 362/223,
362/544, 240, 545; D9/529; D21/478, 479;
D34/1; D7/509, 586; D13/134, 179, 180
See application file for complete search history.

(56) **References Cited**

U.S. PATENT DOCUMENTS

- D70,159 S * 5/1926 Crumley D26/144
- D323,565 S * 1/1992 Woodgate D26/63
- D329,101 S * 9/1992 Landefeld D26/68
- D346,239 S * 4/1994 Vamberszky et al. D26/118
- 5,351,174 A * 9/1994 Ewing 362/655
- D386,805 S * 11/1997 Bonnette et al. D26/74
- D423,707 S * 4/2000 Hammond D26/67

- D445,947 S * 7/2001 Johnson D26/142
- D469,209 S * 1/2003 Homann D26/118
- D476,728 S * 7/2003 Gajewski D23/377
- D483,903 S * 12/2003 Skradski et al. D26/118
- D483,904 S * 12/2003 Skradski et al. D26/118
- D508,236 S * 8/2005 Duke et al. D13/184
- D547,232 S * 7/2007 Lai D11/91
- D566,880 S * 4/2008 Silver D26/88
- D605,323 S * 12/2009 Mier-Langner et al. D26/63

* cited by examiner

Primary Examiner — Cathron C Brooks

Assistant Examiner — Kevin K Rudzinski

(74) *Attorney, Agent, or Firm* — McKenna Long & Aldridge LLP

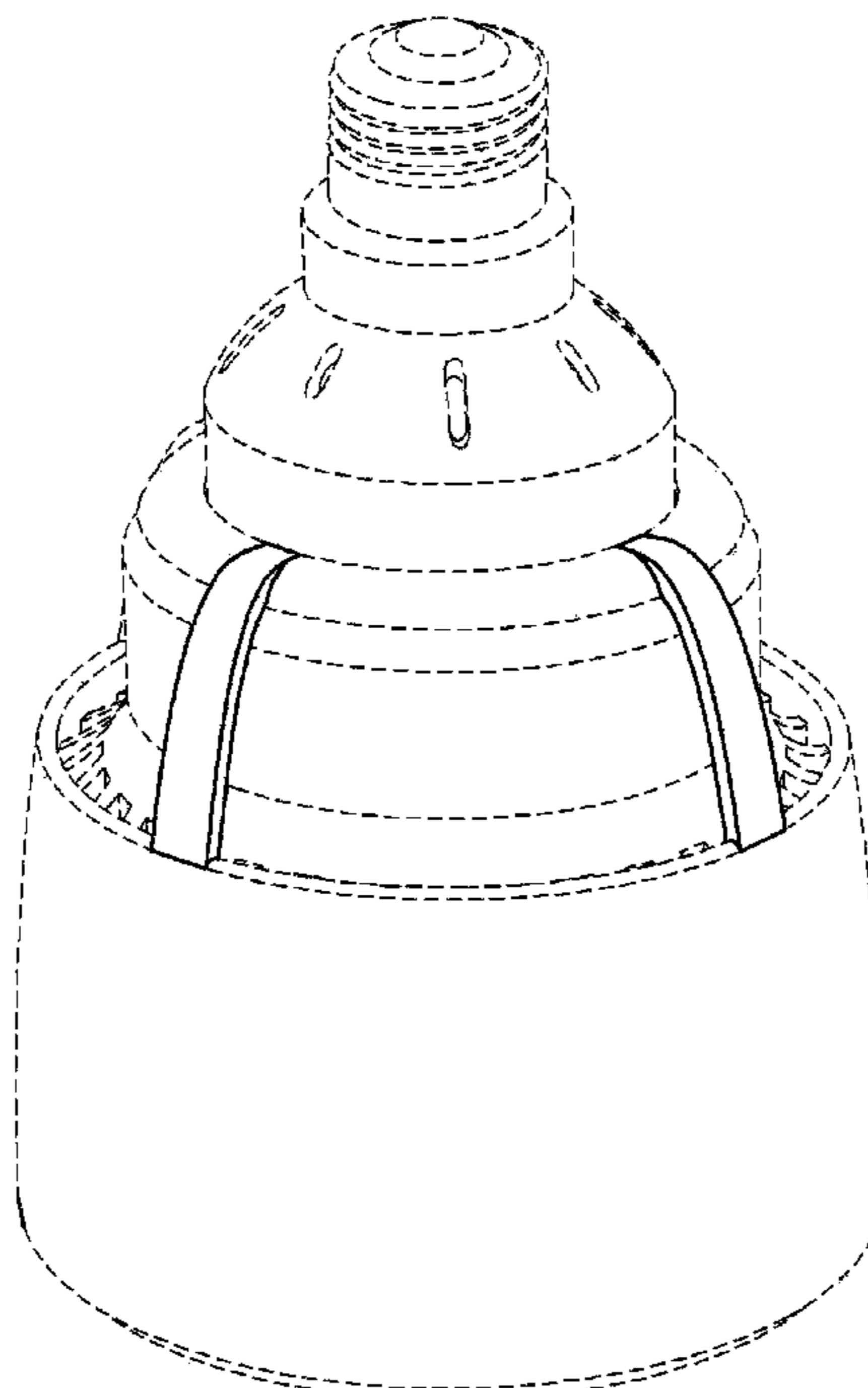
(57) **CLAIM**

The ornamental design for an LED lamp, as shown and described.

DESCRIPTION

FIG. 1 is a top front perspective view of an LED lamp showing my new design;
 FIG. 2 is a front elevational view thereof;
 FIG. 3 is a rear elevational view thereof;
 FIG. 4 is a left side elevational view thereof;
 FIG. 5 is a right side elevational view thereof;
 FIG. 6 is a top plan view thereof;
 FIG. 7 is a bottom plan view thereof; and,
 FIG. 8 is a bottom front perspective view thereof.
 The broken lines shown in the drawings are included for the purpose of illustrating unclaimed portions and forms no part of the claimed design.

1 Claim, 8 Drawing Sheets



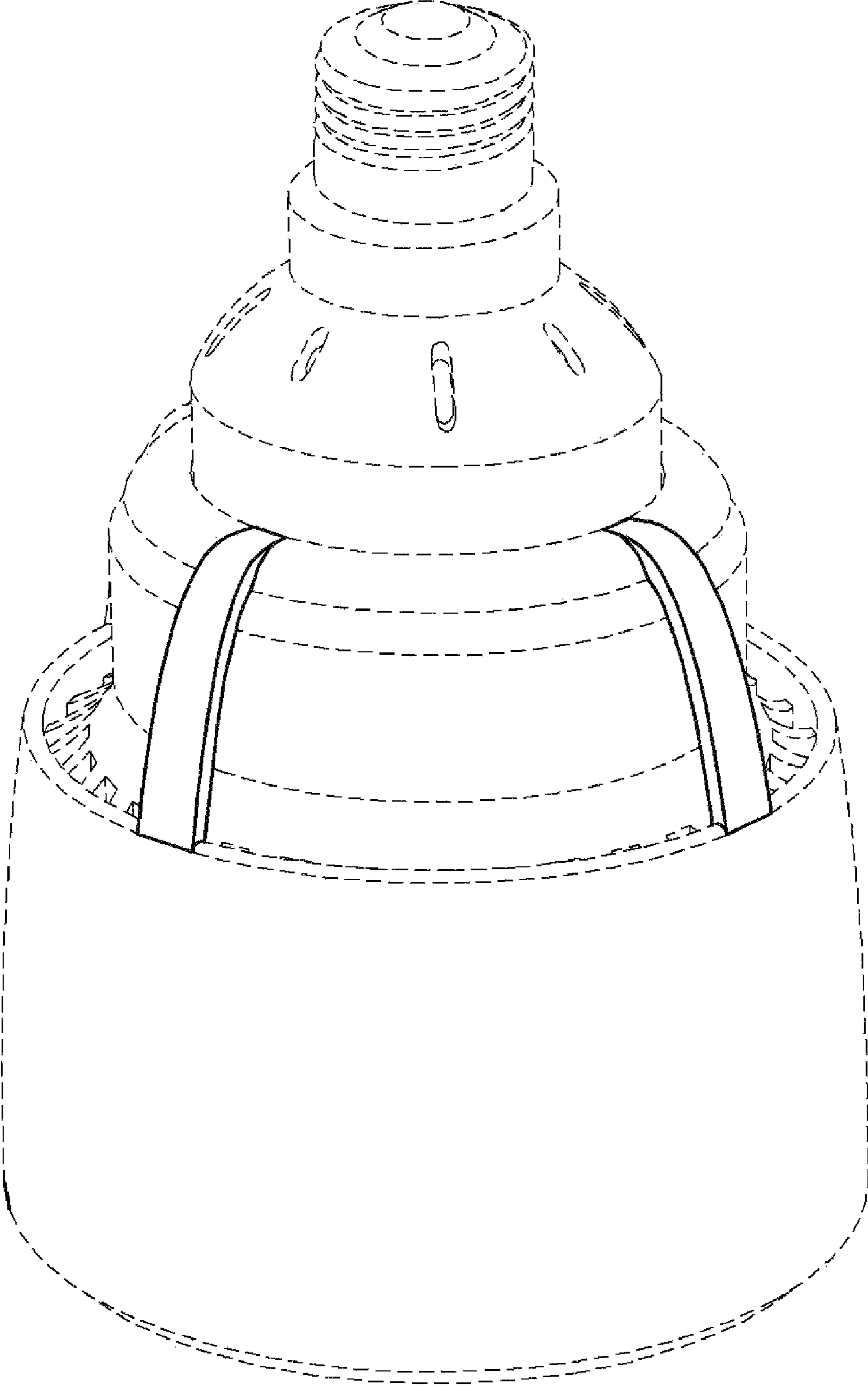


FIG. 1

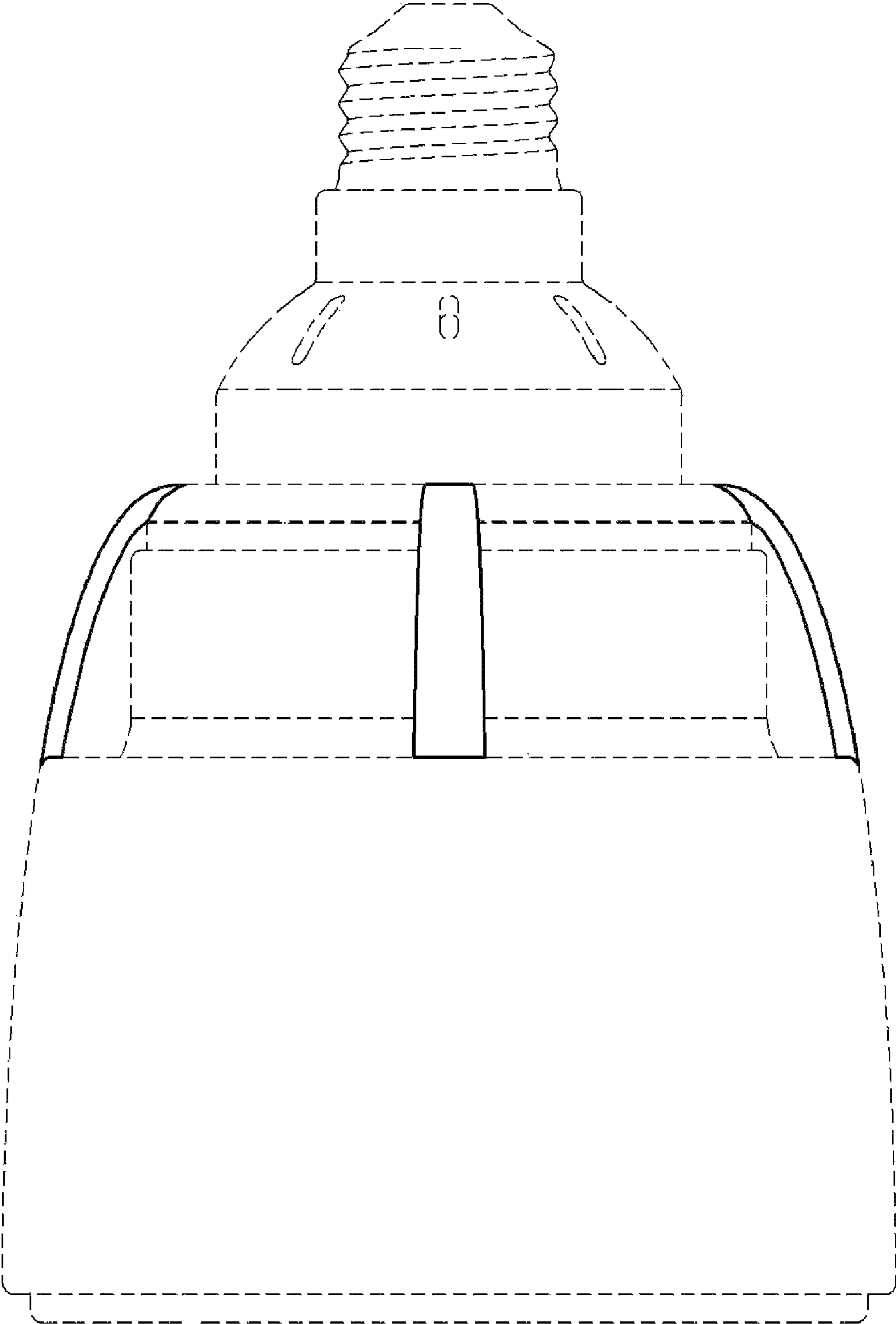


FIG. 2

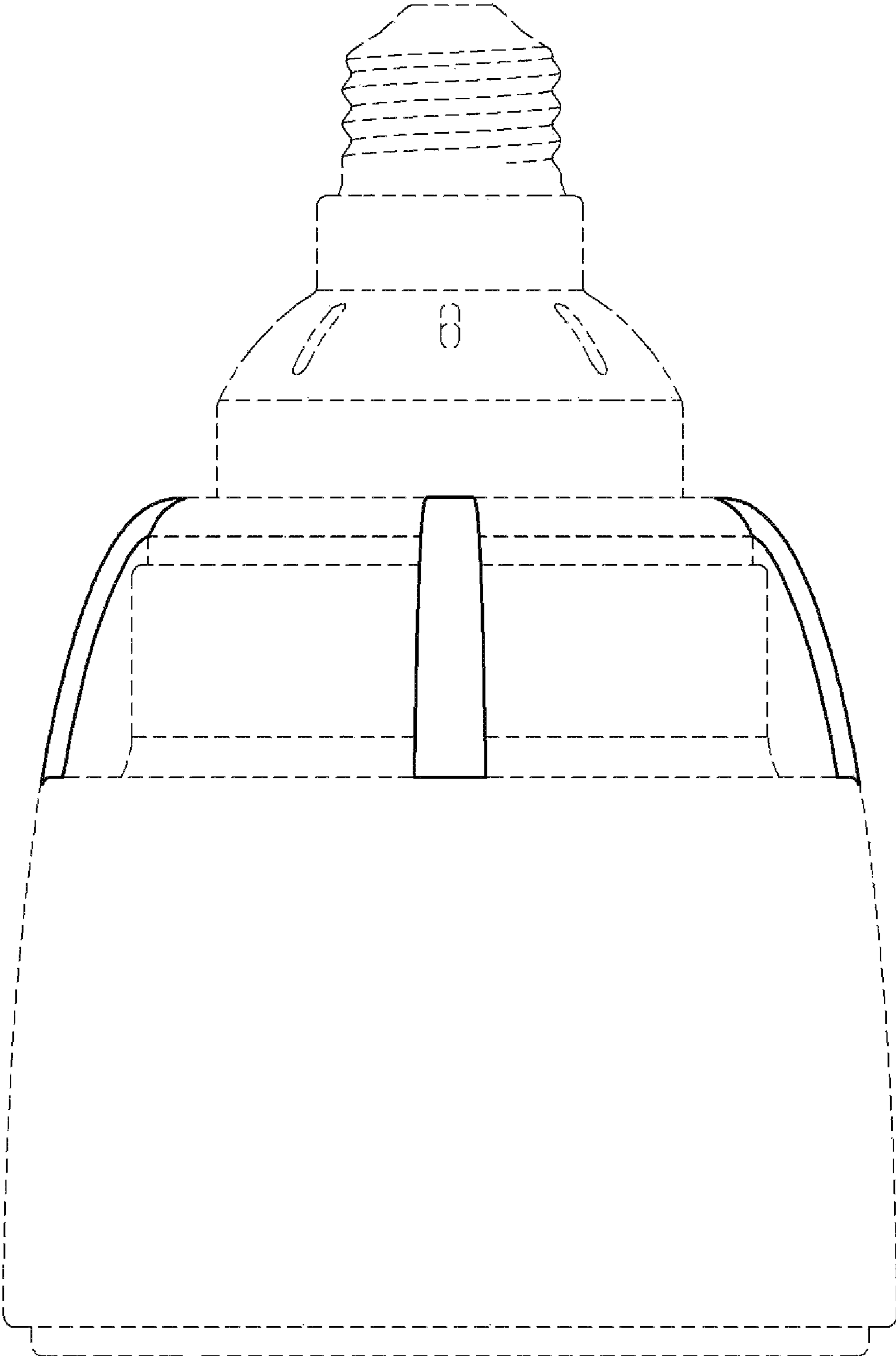


FIG. 3

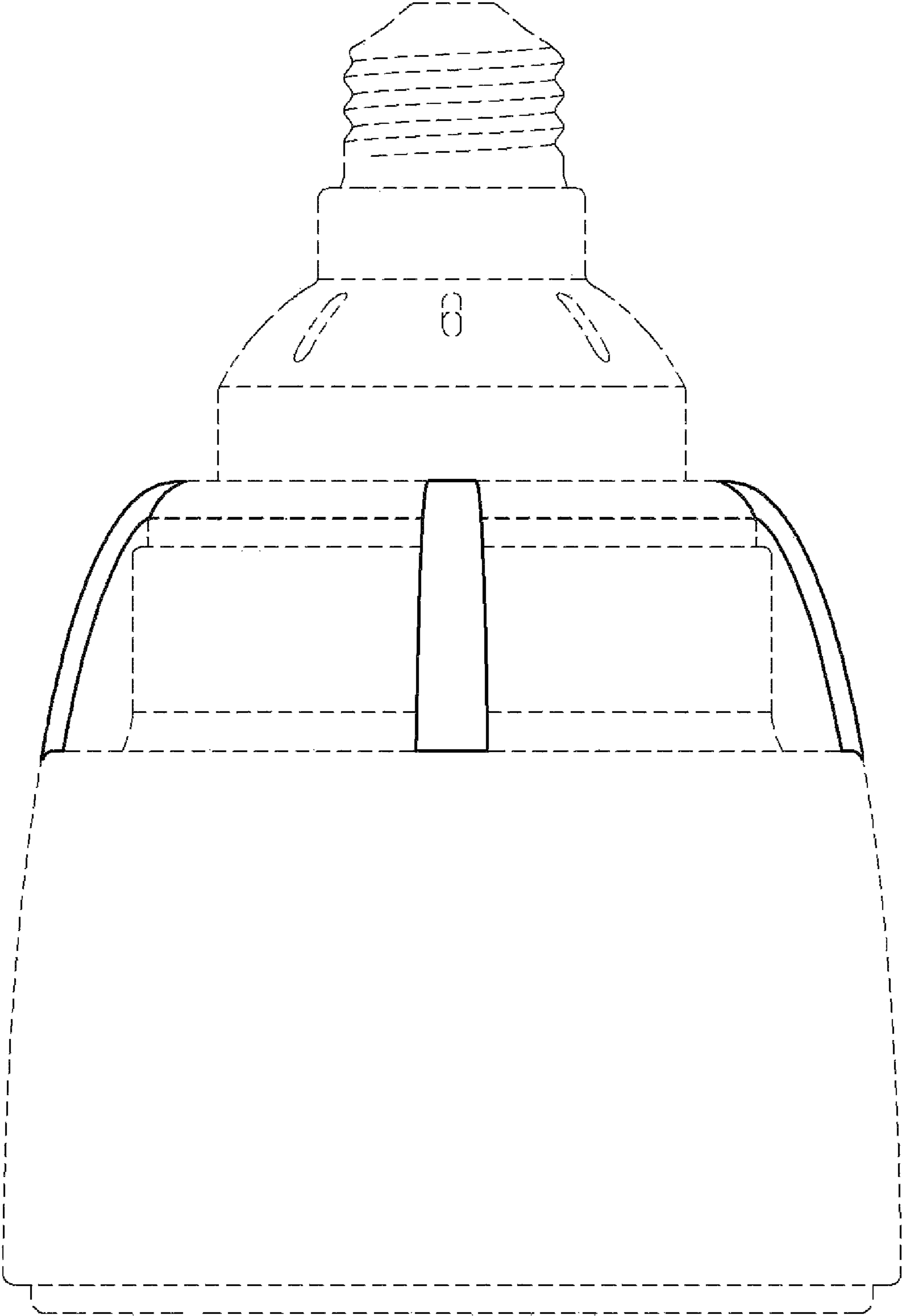


FIG. 4

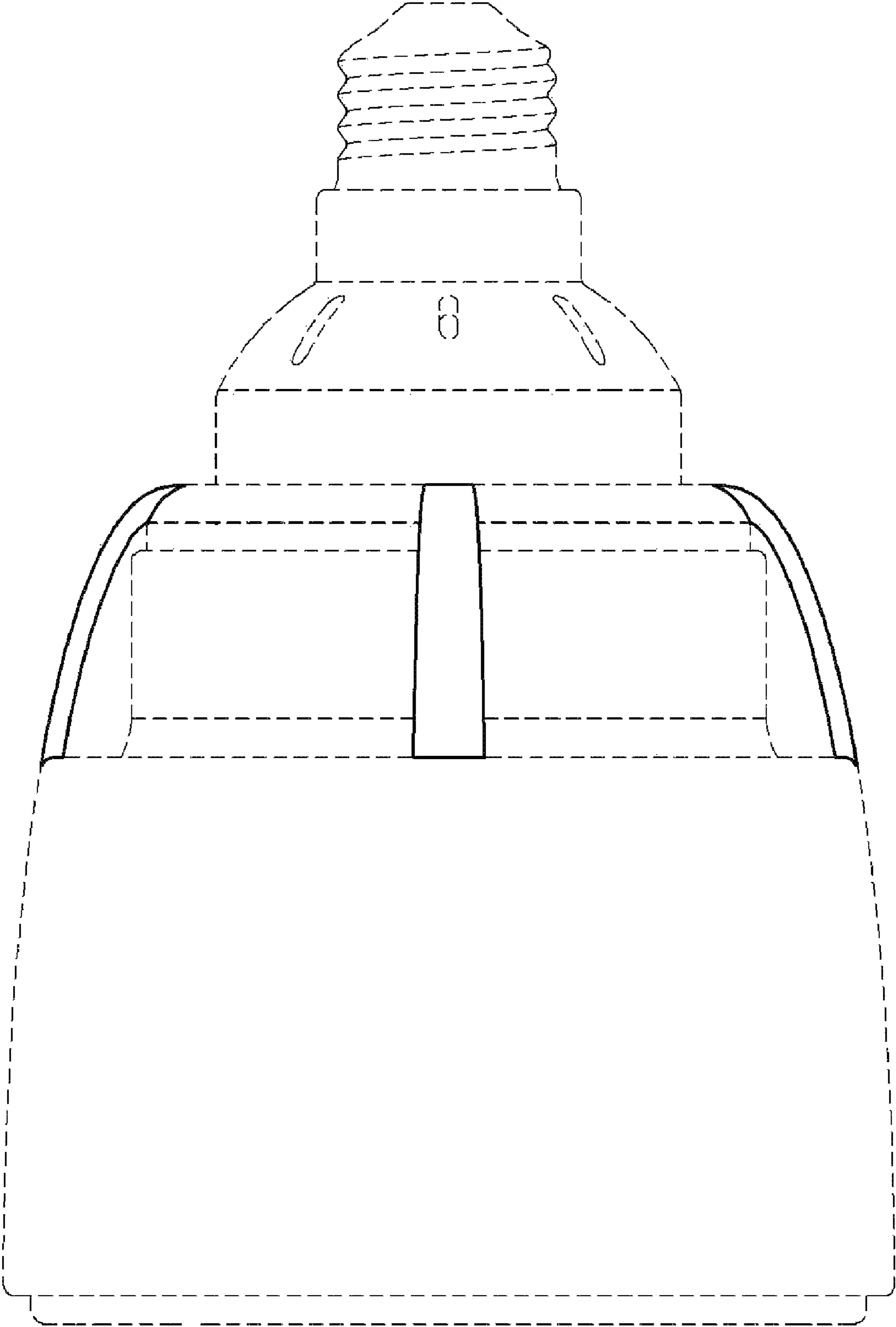


FIG. 5

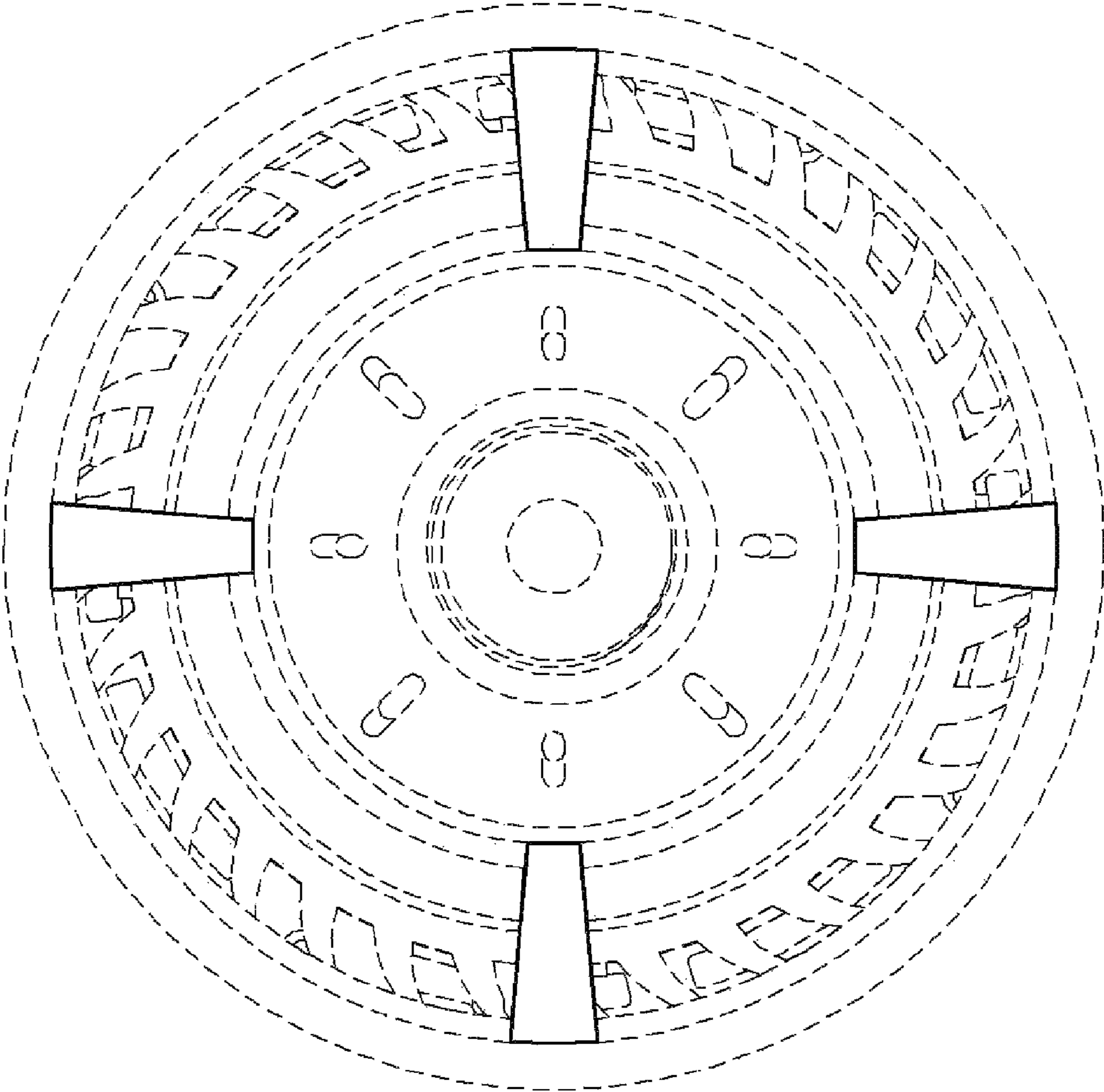


FIG. 6



FIG. 7

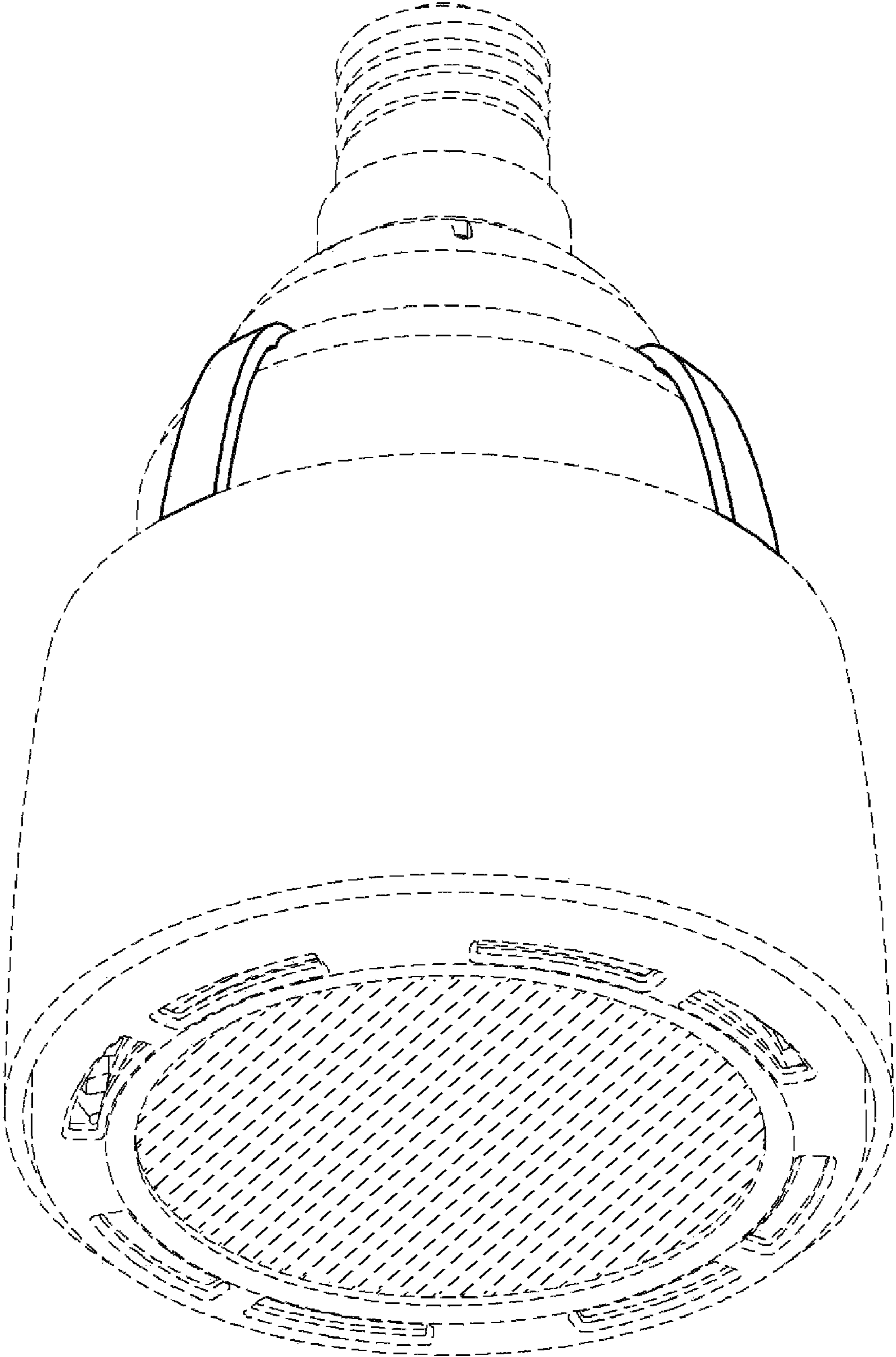


FIG. 8