



US00D637342S

(12) **United States Design Patent**  
**Choi et al.**

(10) **Patent No.:** **US D637,342 S**

(45) **Date of Patent:** **\*\* May 3, 2011**

(54) **LED LAMP**

(75) Inventors: **Tae Young Choi**, Seoul (KR); **Kyung Il Kong**, Seoul (KR); **Han Gyoul Kim**, Seoul (KR); **Hwa Young Kim**, Seoul (KR); **Seok Jin Kang**, Seoul (KR)

(73) Assignee: **LG Innotek Co., Ltd.**, Seoul (KR)

(\*\*) Term: **14 Years**

(21) Appl. No.: **29/360,117**

(22) Filed: **Apr. 20, 2010**

(30) **Foreign Application Priority Data**

Oct. 20, 2009 (KR) ..... 30-2009-0046256  
Apr. 7, 2010 (KR) ..... 30-2010-0015159

(51) **LOC (9) Cl.** ..... **26-99**

(52) **U.S. Cl.** ..... **D26/138**

(58) **Field of Classification Search** ..... D26/2,  
D26/118, 120, 129, 138, 63, 65, 128, 154,  
D26/28, 119, 155, 142, 121, 122, 152, 123,  
D26/124, 153, 130, 141, 92, 87, 93, 85, 145;  
D11/89, 90, 91, 92; 273/153 S, 160; 362/223,  
362/544, 240, 545; D9/529; D21/478, 479;  
D34/1; D7/509, 586; D13/134, 179, 180  
See application file for complete search history.

(56) **References Cited**

**U.S. PATENT DOCUMENTS**

D70,159 S \* 5/1926 Crumley ..... D26/144  
D323,565 S \* 1/1992 Woodgate ..... D26/63  
D329,101 S \* 9/1992 Landefeld ..... D26/68  
D346,239 S \* 4/1994 Vamberszky et al. .... D26/118  
5,351,174 A \* 9/1994 Ewing ..... 362/655  
D386,805 S \* 11/1997 Bonnette et al. .... D26/74  
D423,707 S \* 4/2000 Hammond ..... D26/67

D445,947 S \* 7/2001 Johnson ..... D26/142  
D469,209 S \* 1/2003 Homann ..... D26/118  
D476,728 S \* 7/2003 Gajewski ..... D23/377  
D483,903 S \* 12/2003 Skradski et al. .... D26/118  
D483,904 S \* 12/2003 Skradski et al. .... D26/118  
D508,236 S \* 8/2005 Duke et al. .... D13/184  
D547,232 S \* 7/2007 Lai ..... D11/91  
D566,880 S \* 4/2008 Silver ..... D26/88  
D605,323 S \* 12/2009 Mier-Langner et al. .... D26/63

\* cited by examiner

*Primary Examiner* — Cathron C Brooks

*Assistant Examiner* — Kevin K Rudzinski

(74) *Attorney, Agent, or Firm* — McKenna Long & Aldridge LLP

(57) **CLAIM**

The ornamental design for an LED lamp, as shown and described.

**DESCRIPTION**

This application is related to U.S. application Ser. No. 29/360, 115, filed Apr. 20, 2010, the entire contents of which is incorporated by reference herein.

FIG. 1 is a top front perspective view of an LED lamp showing my new design;

FIG. 2 is a front elevational view thereof;

FIG. 3 is a rear elevational view thereof;

FIG. 4 is a left side elevational view thereof;

FIG. 5 is a right side elevational view thereof;

FIG. 6 is a top plan view thereof;

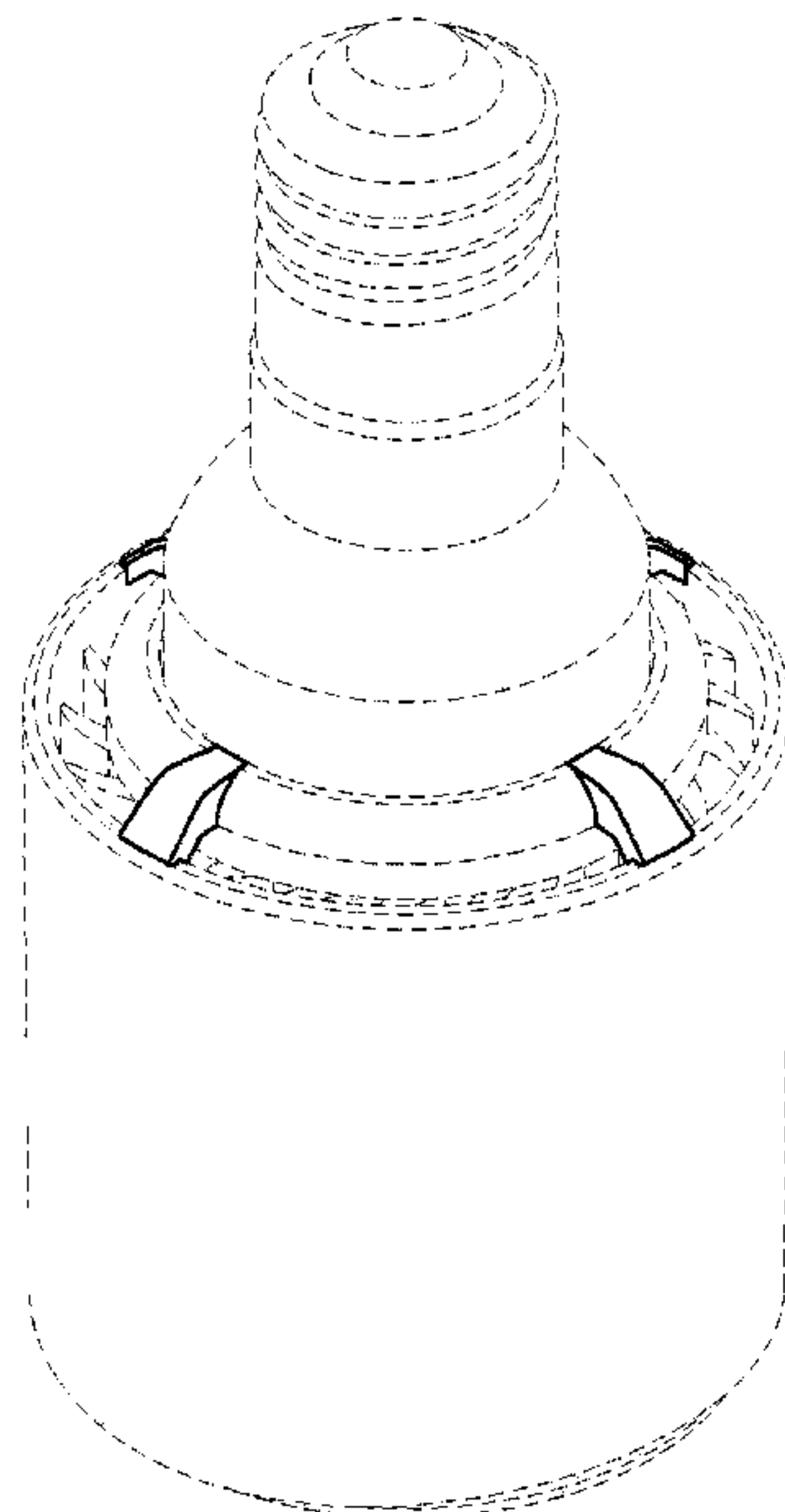
FIG. 7 is a bottom plan view thereof; and,

FIG. 8 is a bottom front perspective view thereof.

The broken diagonal lines in FIG. 8 demark light emitting parts and form no part of the design.

The broken line showing of FIGS. 1-8 is for the purpose of illustrating environmental structure and forms no part of the claimed design.

**1 Claim, 8 Drawing Sheets**



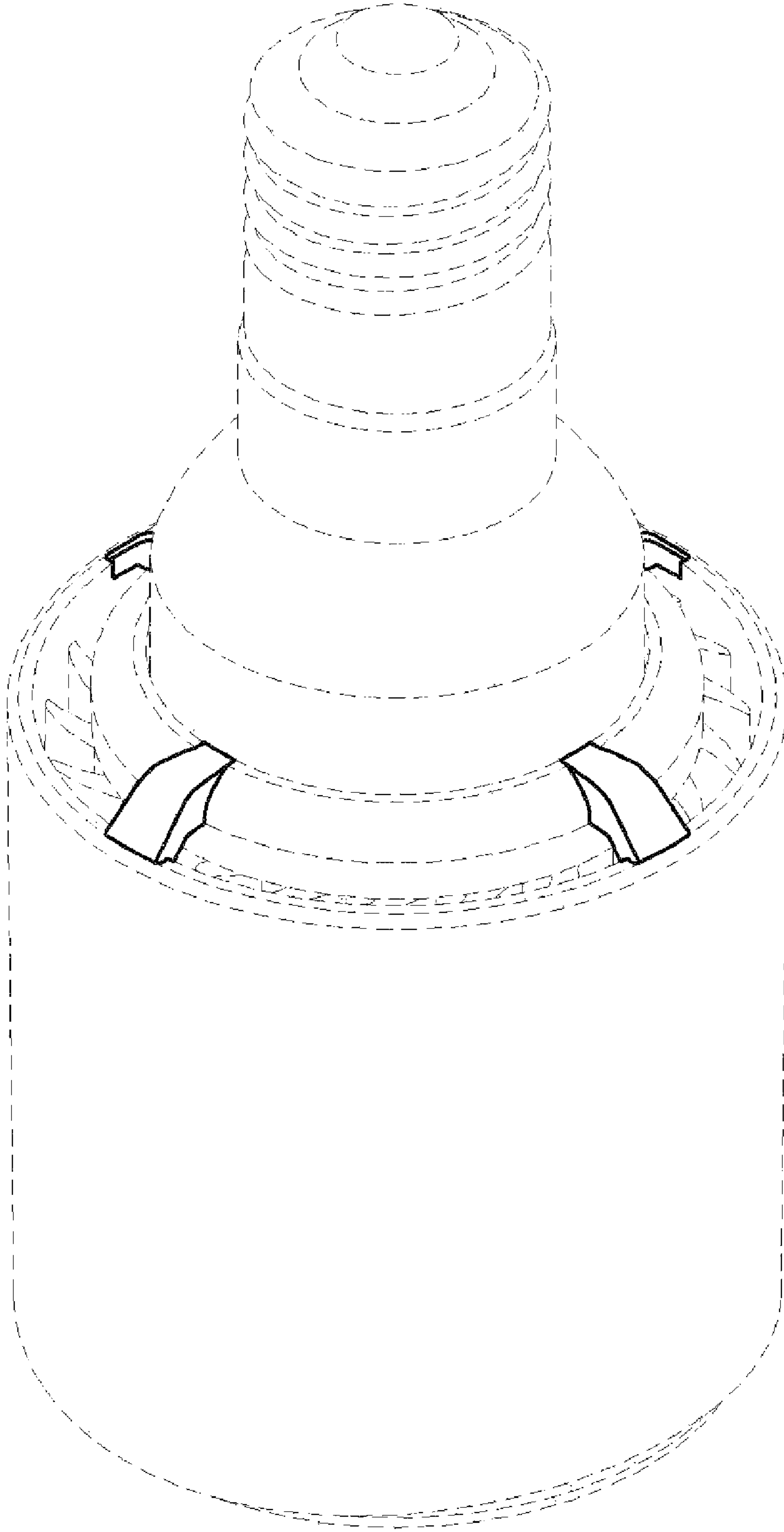


FIG. 1

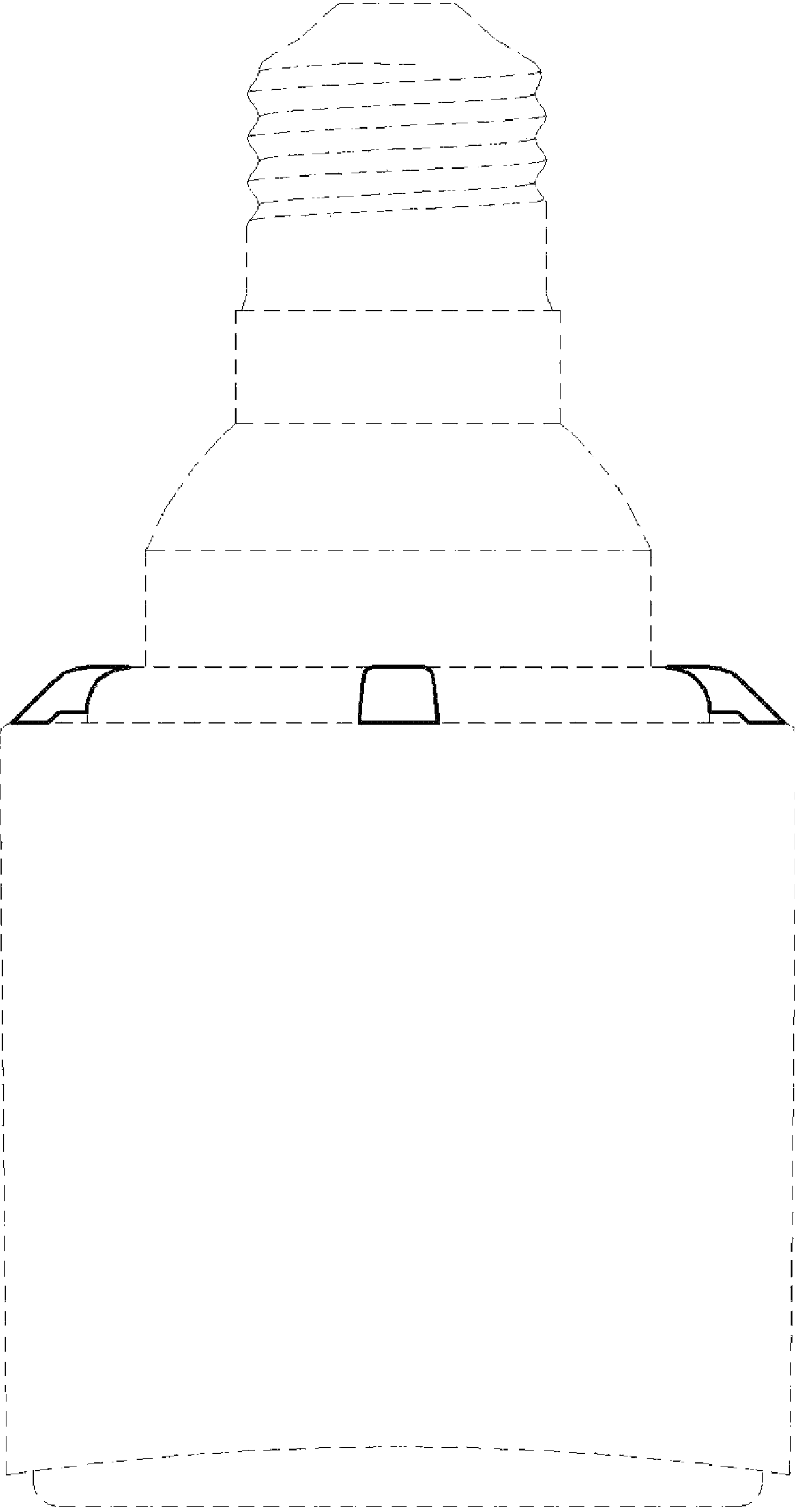


FIG. 2

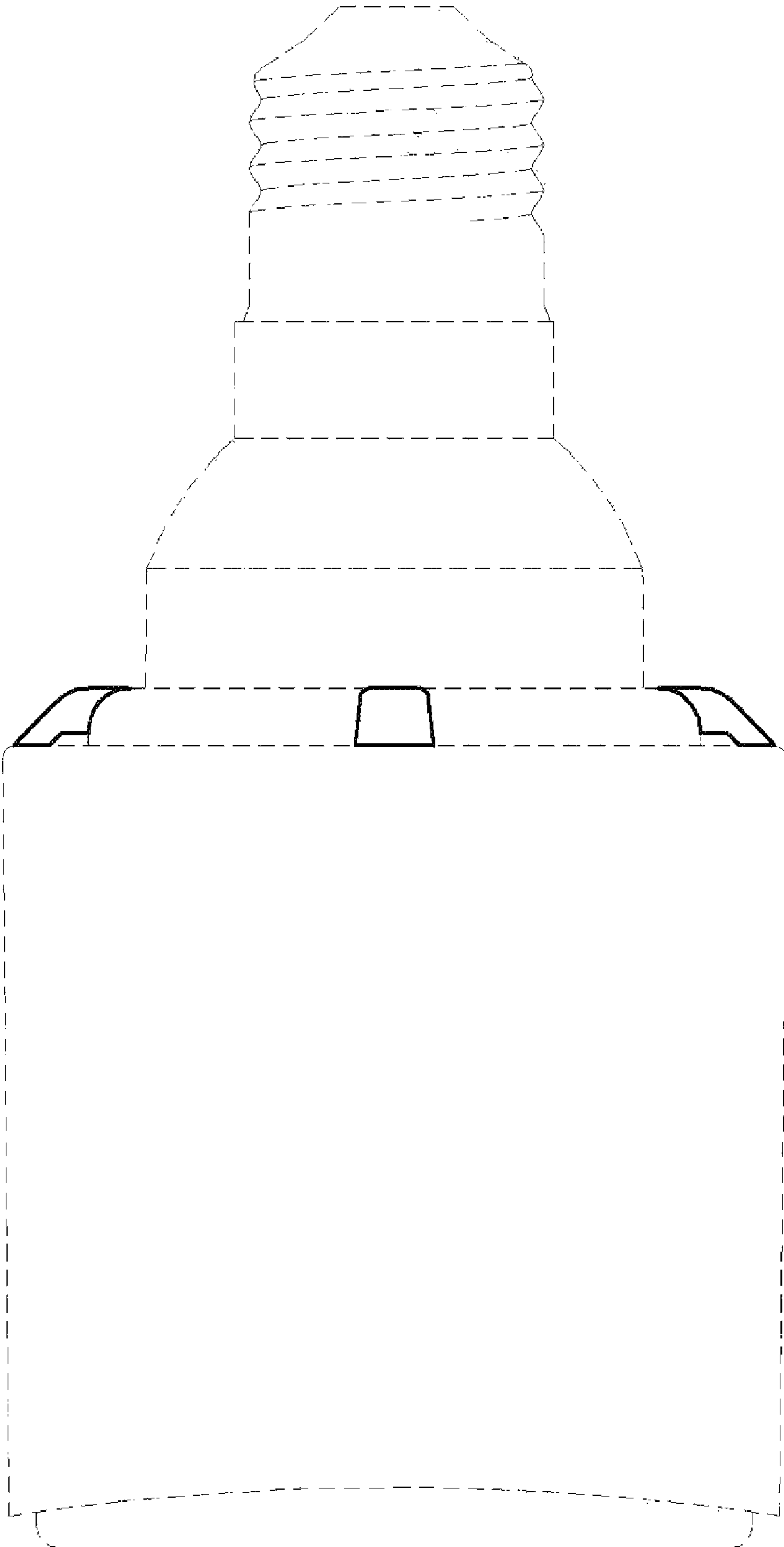


FIG. 3

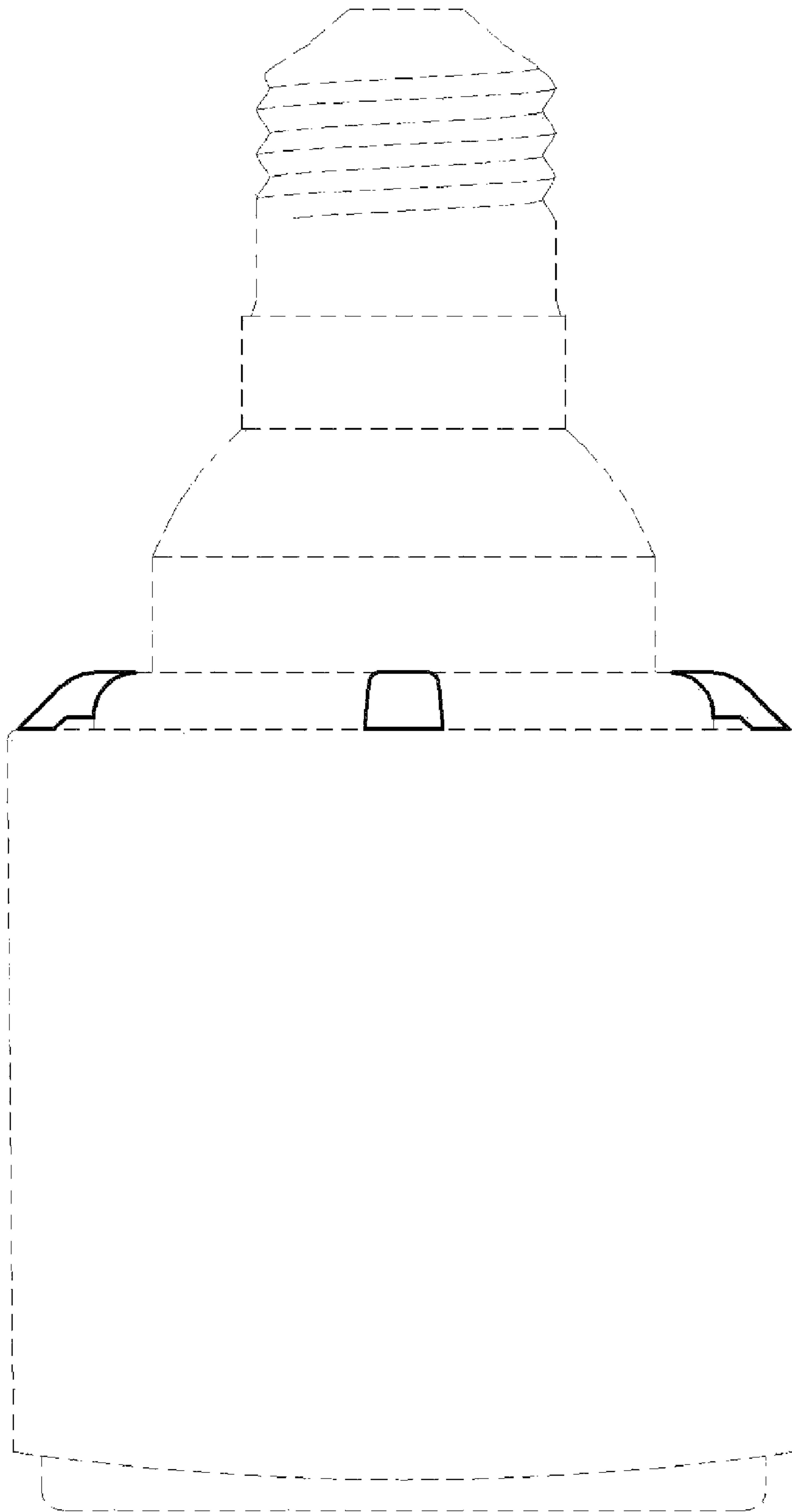


FIG. 4

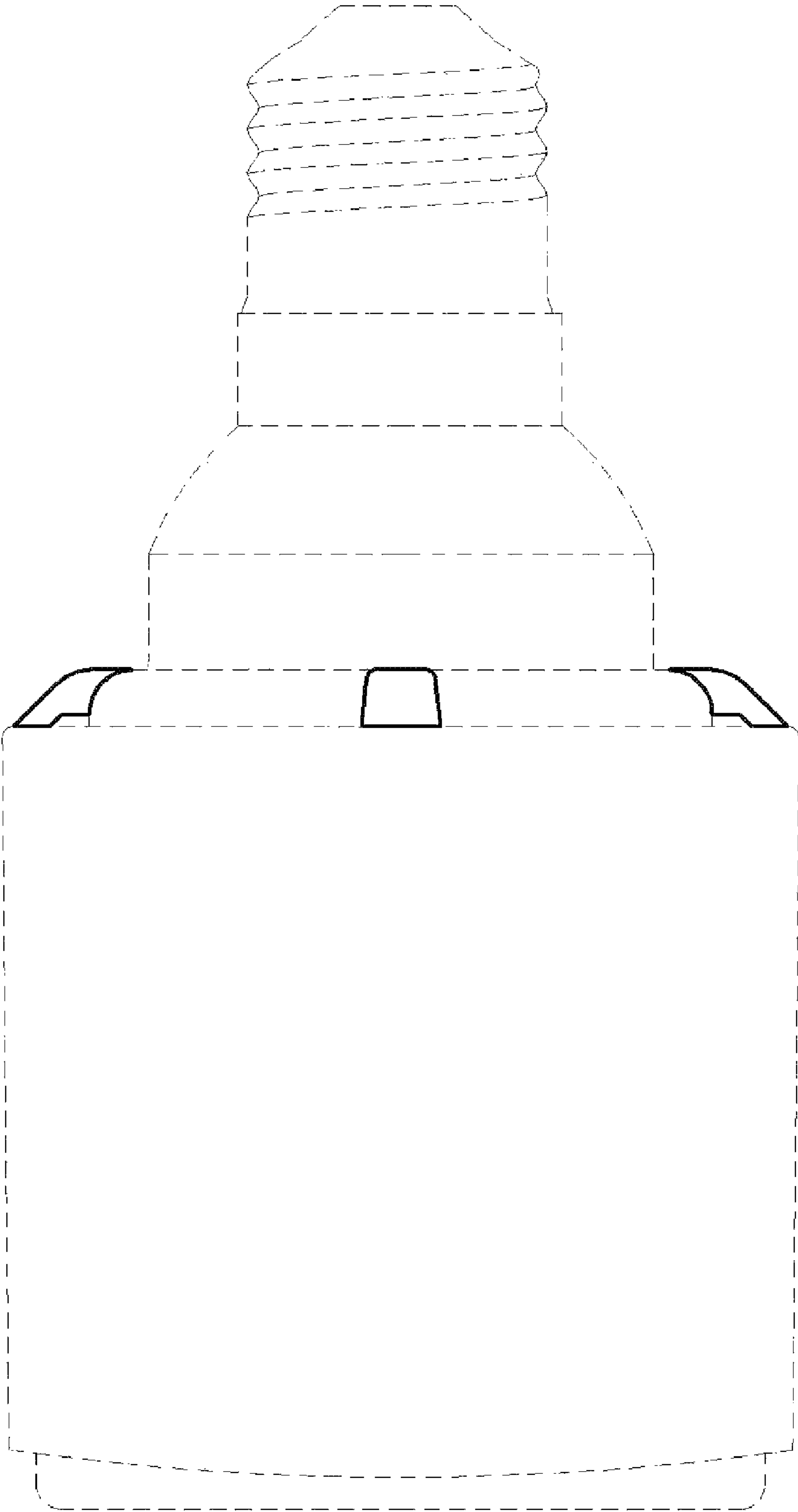


FIG. 5

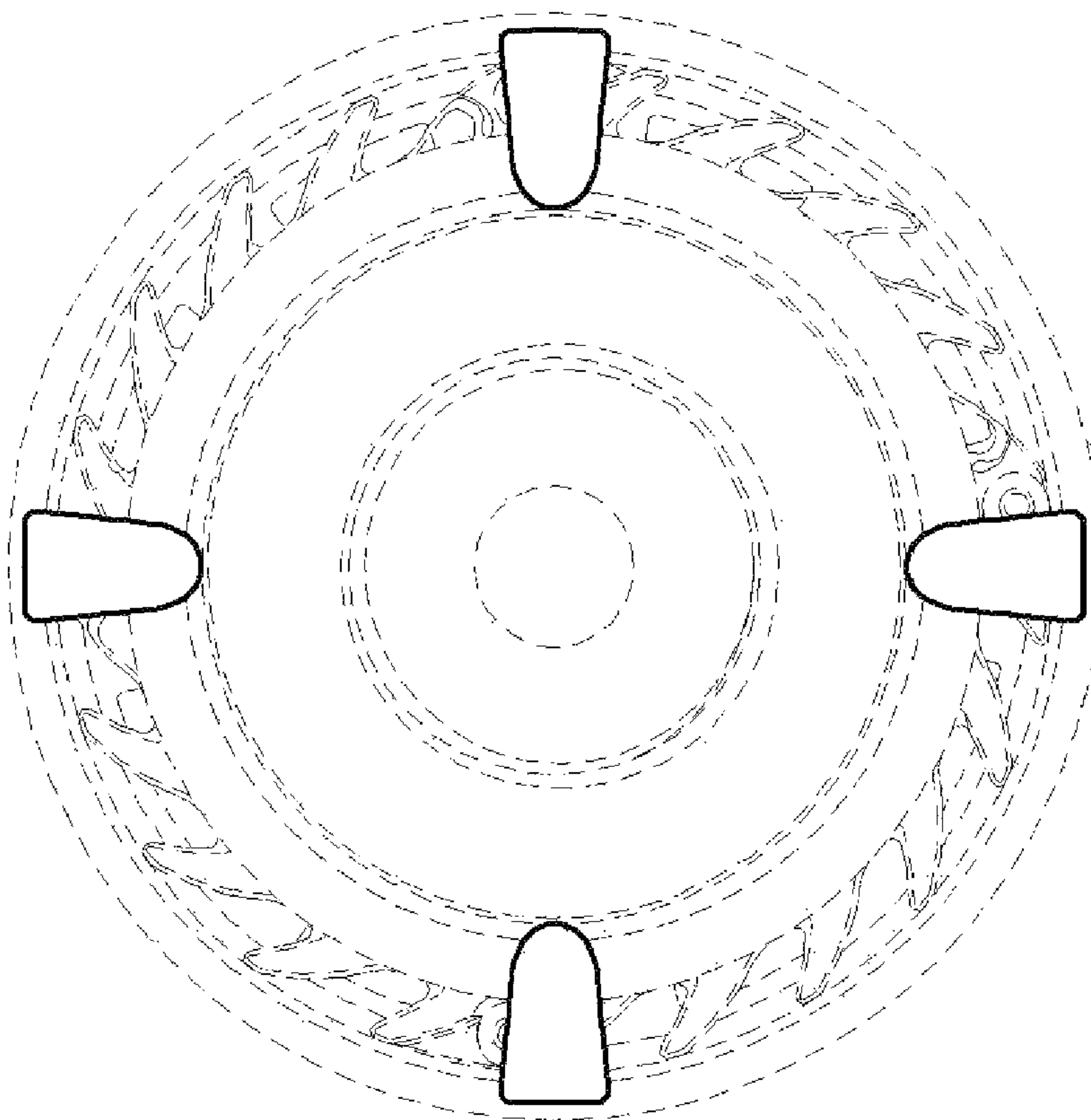


FIG. 6

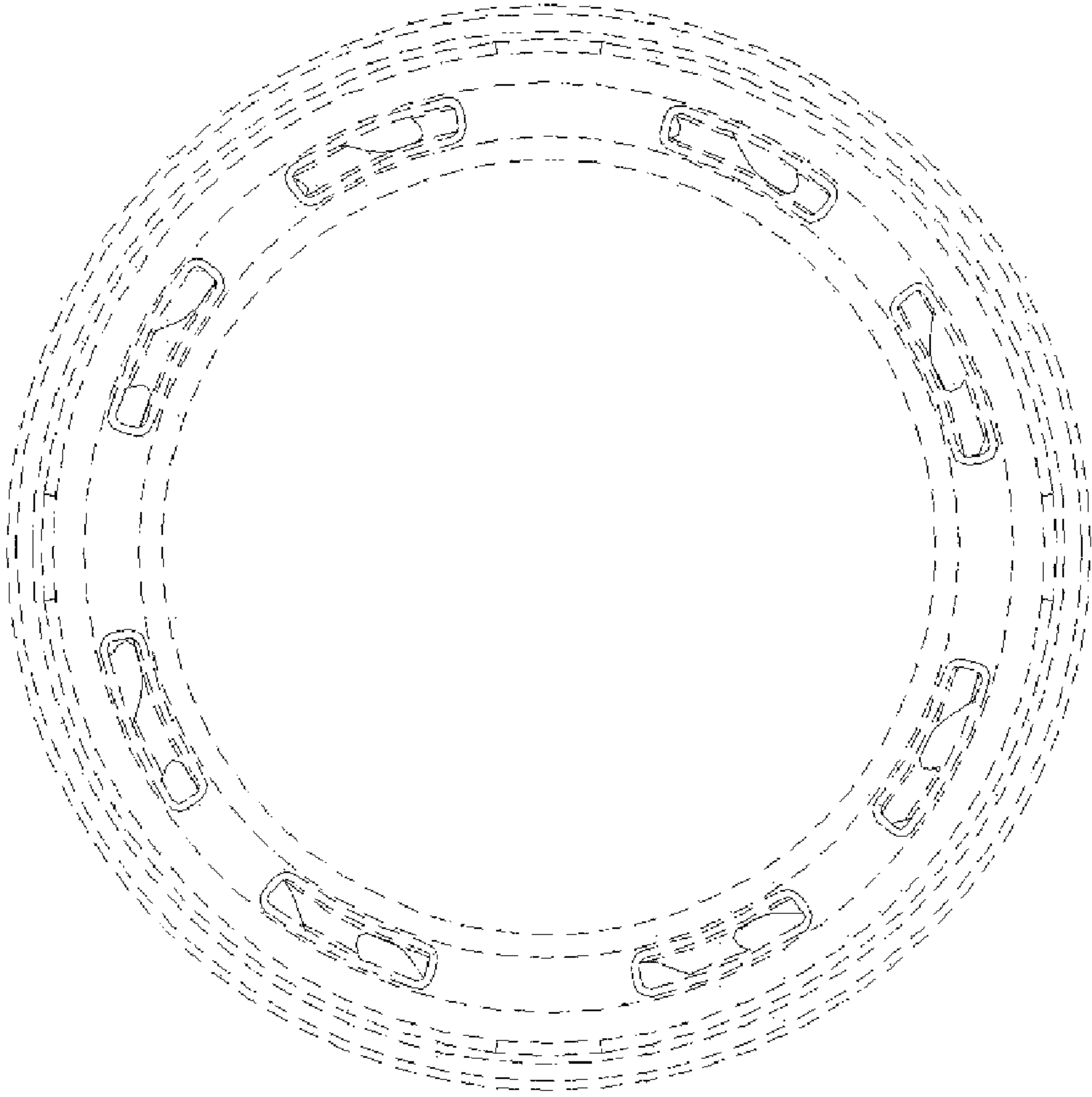


FIG. 7



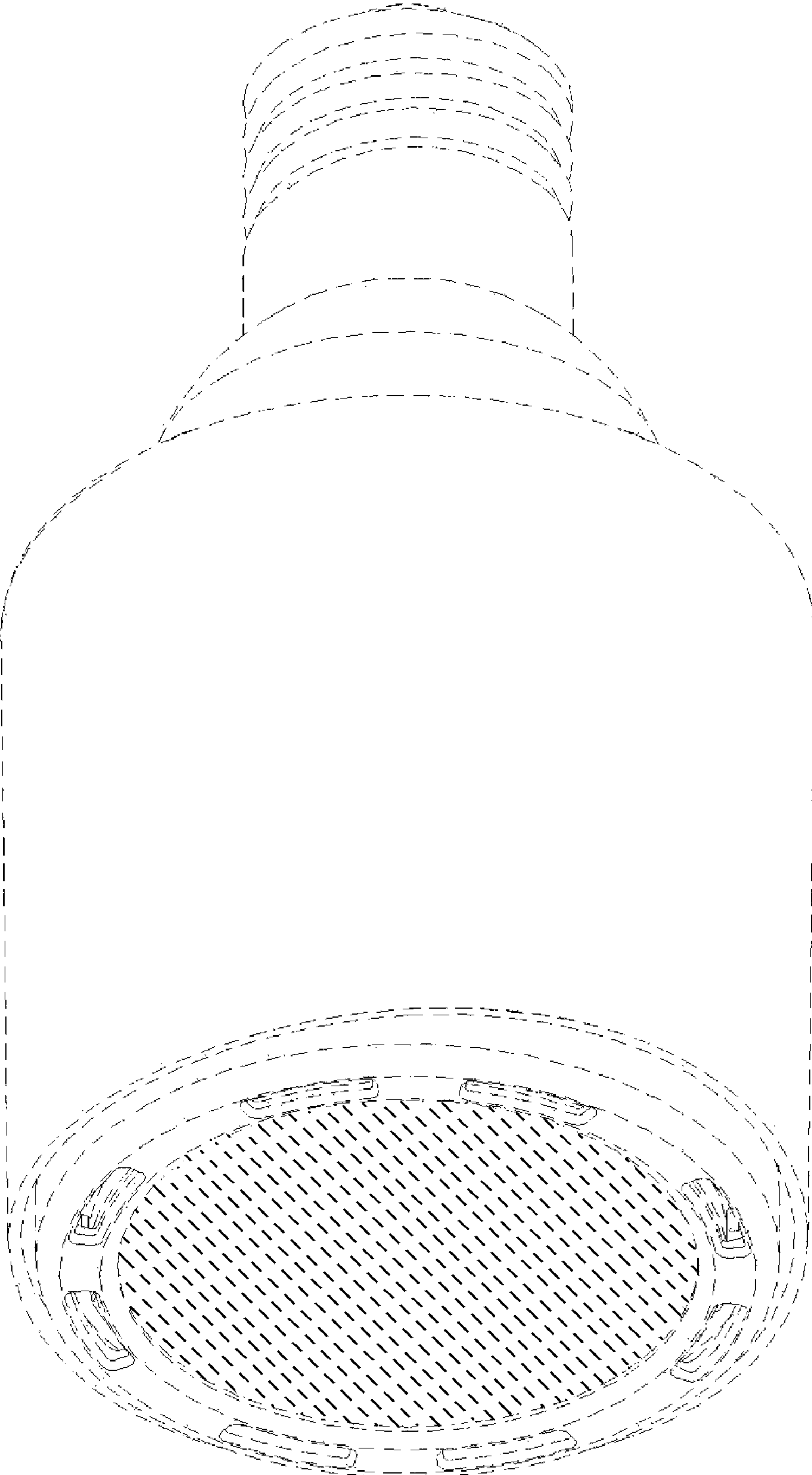


FIG. 8