



US00D637340S

(12) **United States Design Patent**
Hasan et al.

(10) **Patent No.:** **US D637,340 S**

(45) **Date of Patent:** **** May 3, 2011**

(54) **LED LIGHT FIXTURE**

(75) Inventors: **Syed Q. Hasan**, Sugar Land, TX (US);
Anibal Rosado, Pearland, TX (US)

(73) Assignee: **Rig-A-Lite Partnership Ltd.**, Houston,
TX (US)

(**) Term: **14 Years**

(21) Appl. No.: **29/370,189**

(22) Filed: **Jun. 14, 2010**

(51) **LOC (9) Cl.** **26-03**

(52) **U.S. Cl.** **D26/89; D26/72**

(58) **Field of Classification Search** D26/72,
D26/85, 89, 119, 128; 362/147, 249.02,
362/350, 404-408, 453-456
See application file for complete search history.

(56) **References Cited**

U.S. PATENT DOCUMENTS

D47,607 S *	7/1915	Owen	D26/89
D66,993 S *	4/1925	Verhunce	D26/132
D67,935 S *	8/1925	Ullman	D26/89
D107,877 S *	1/1938	Levy	D26/89
D248,503 S *	7/1978	Grindle	D26/67
D294,871 S *	3/1988	Ewing et al.	D26/85
D343,244 S *	1/1994	Belisle	D26/85
D343,471 S *	1/1994	Belisle et al.	D26/85
D348,532 S *	7/1994	Belisle	D26/85

D378,438 S *	3/1997	Sliney	D26/119
D441,856 S *	5/2001	Wettergren	D23/328
D623,338 S *	9/2010	Mo	D26/72

OTHER PUBLICATIONS

Cooper Crouse-Hinds ESP. "Champ® VMV LED Series Luminaires
Leading the way in LED technology for industrial and hazardous
applications," Brochure distributed by Cooper Industries, Ltd.

* cited by examiner

Primary Examiner — Clare E Heflin

(74) *Attorney, Agent, or Firm* — Gary L. Bush; Andrew
Kurth LLP

(57) **CLAIM**

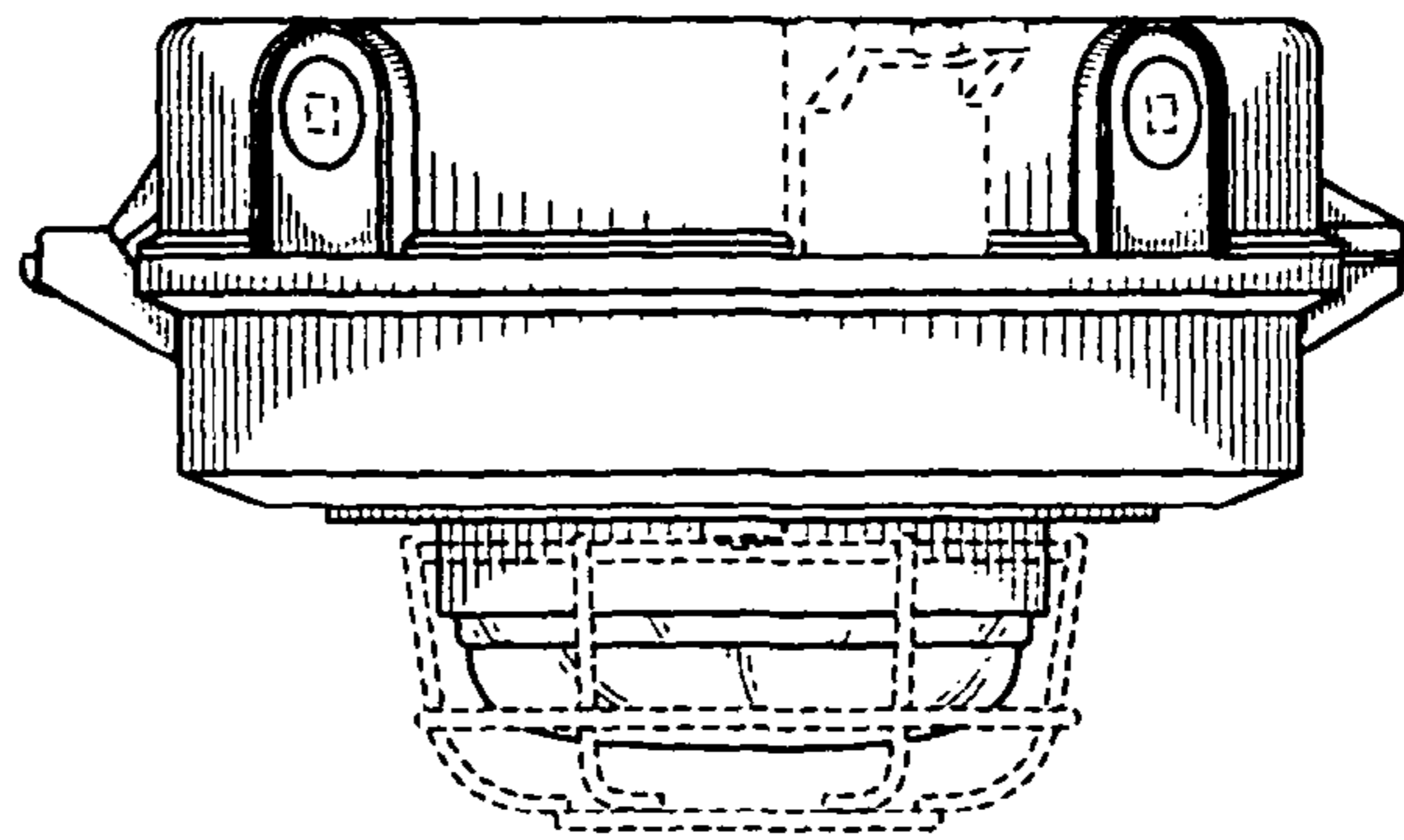
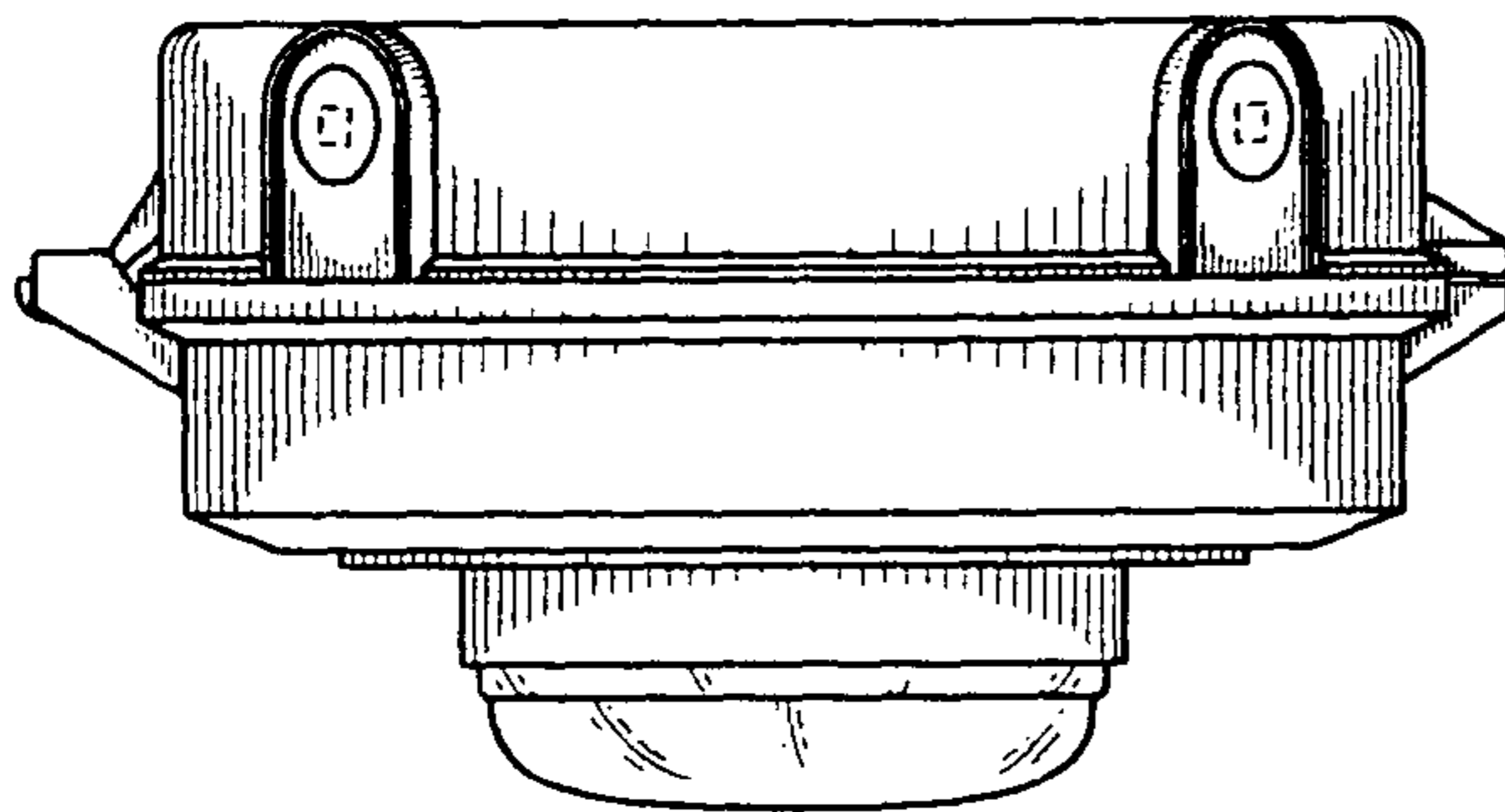
The ornamental design for an LED light fixture, as shown and
described.

DESCRIPTION

FIG. 1 is a side view of an LED light fixture showing our new
design;
FIG. 2 is an alternate side view thereof showing the side
opposite that of FIG. 1;
FIG. 3 is a bottom view thereof;
FIG. 4 is a top view thereof;
FIG. 5 is a back view thereof;
FIG. 6 is a front view thereof; and,
FIG. 7 is an environmental view thereof, showing features
such as a guard and mounting brackets that may be used with
the claimed design.

The broken lines in the figures show environmental features,
are for illustrative purposes only, and form no part of the
claimed design.

1 Claim, 2 Drawing Sheets



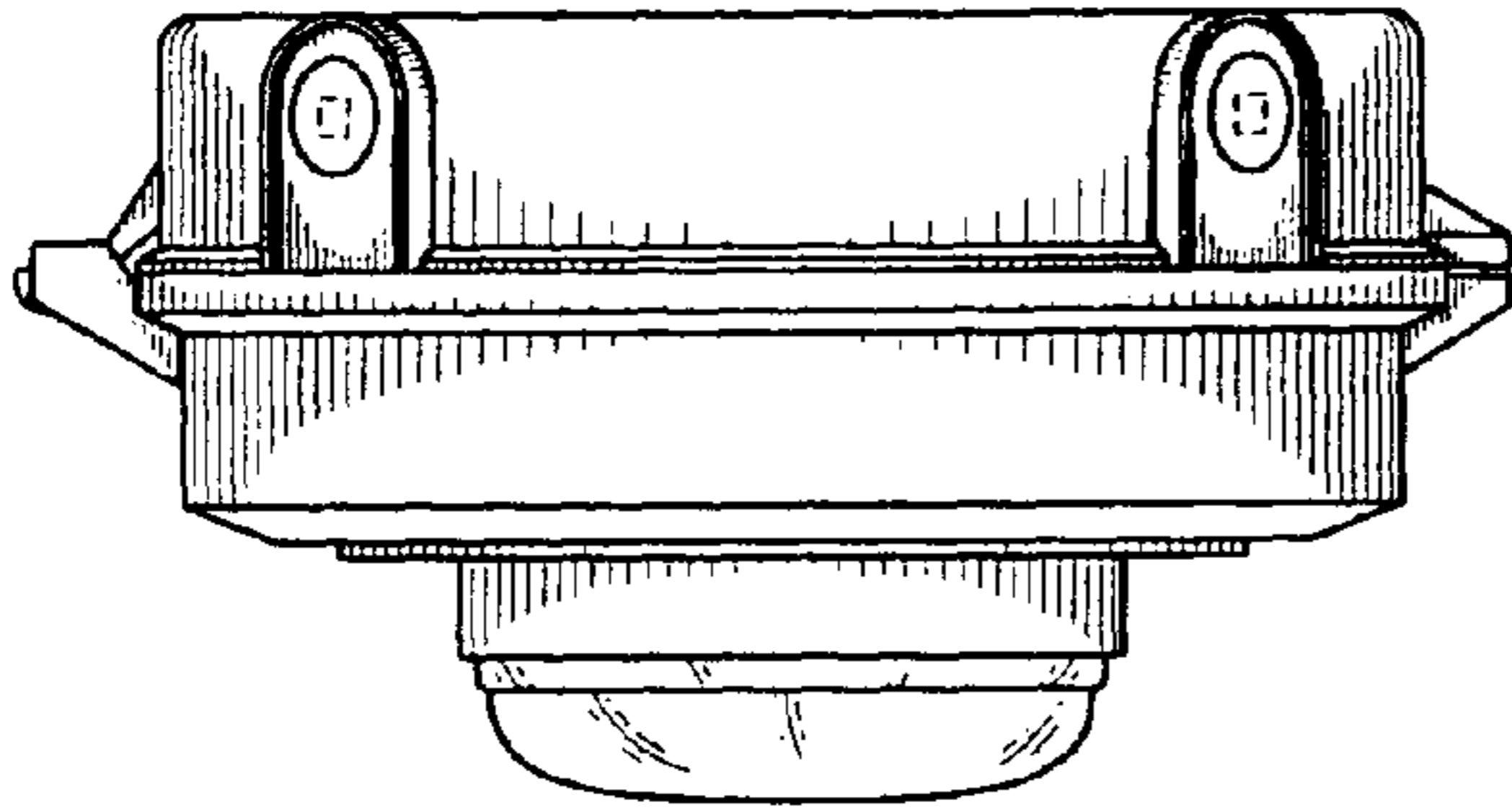


FIG. 1

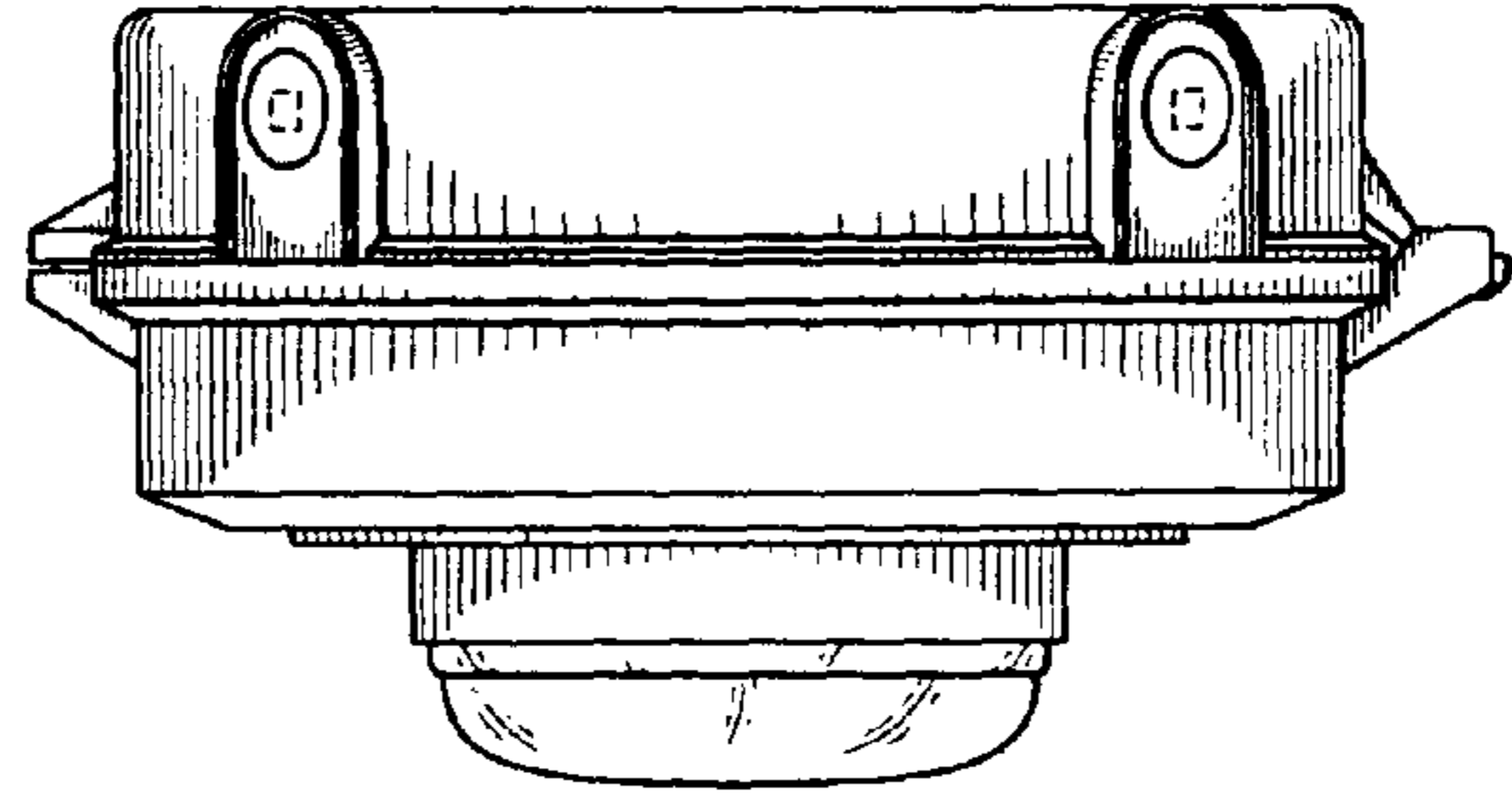


FIG. 2

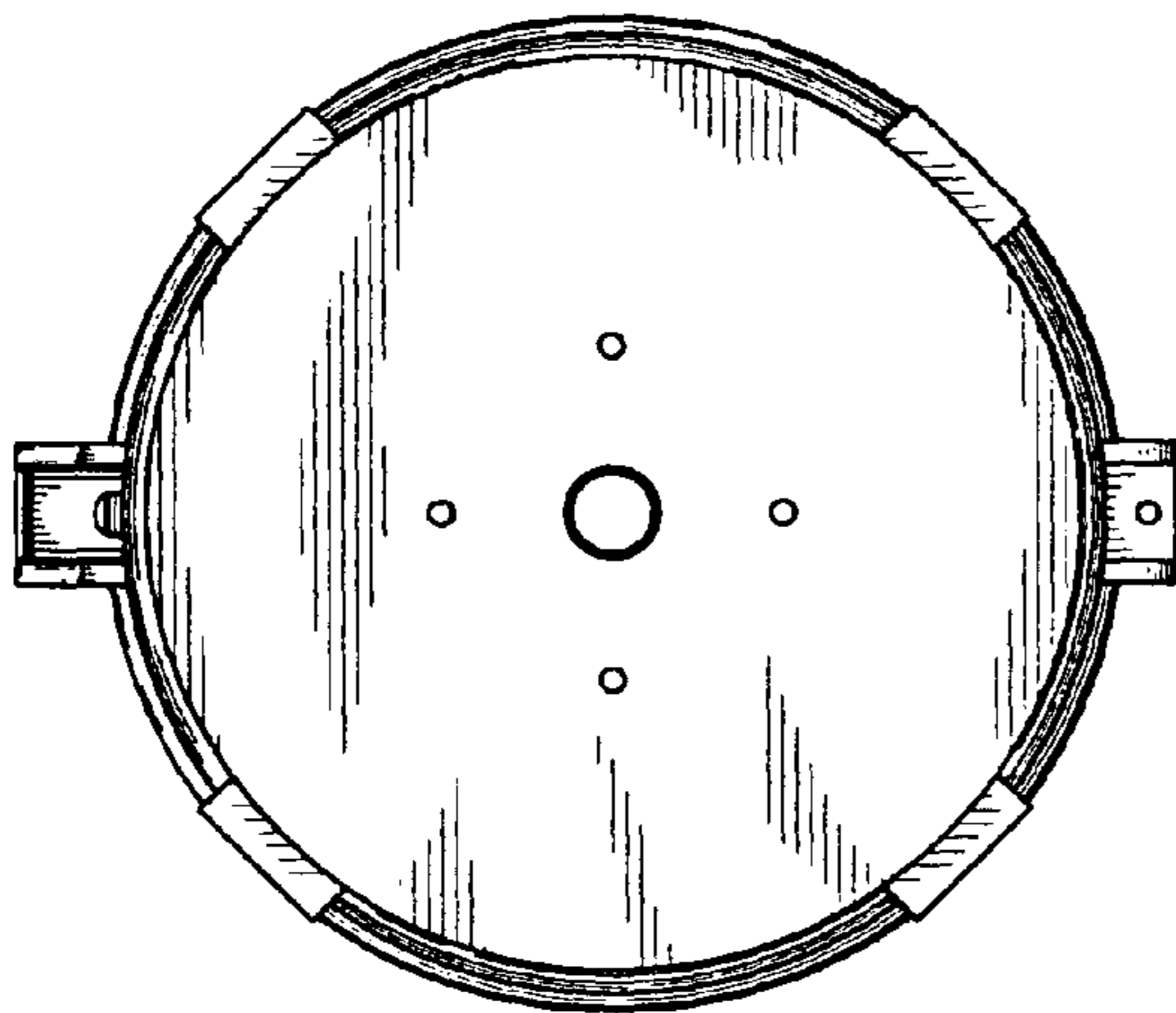


FIG. 3

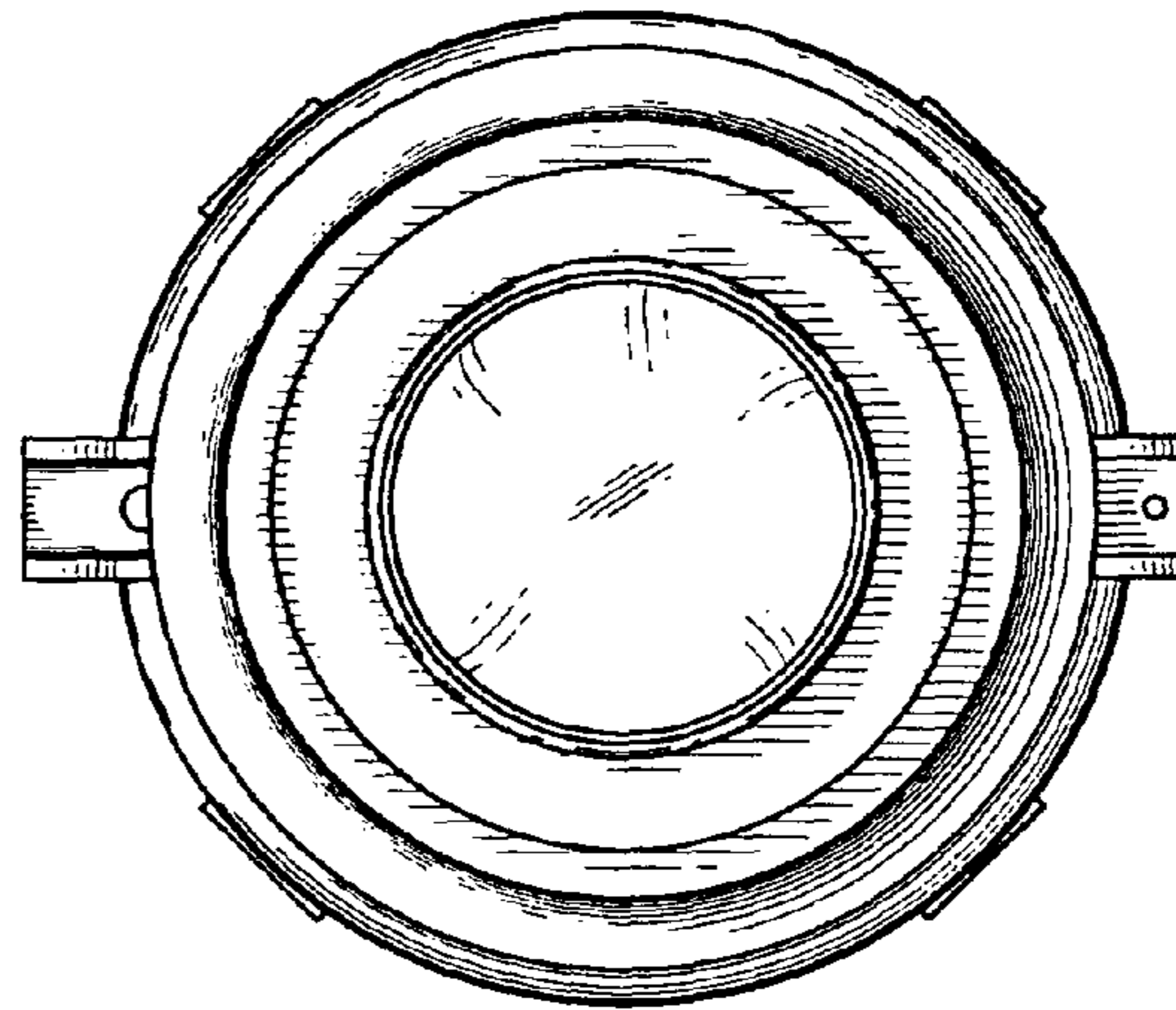


FIG. 4

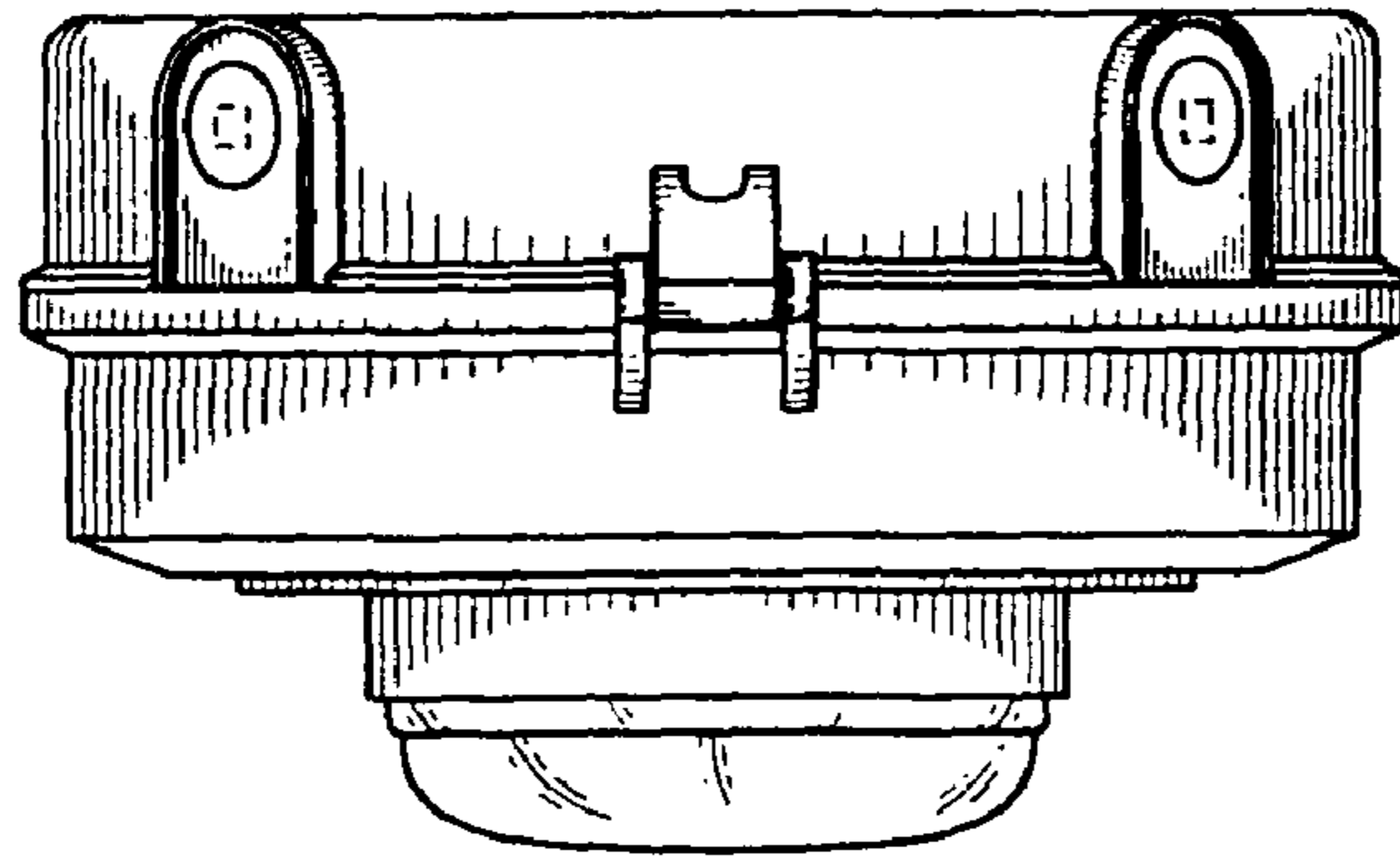


FIG. 5

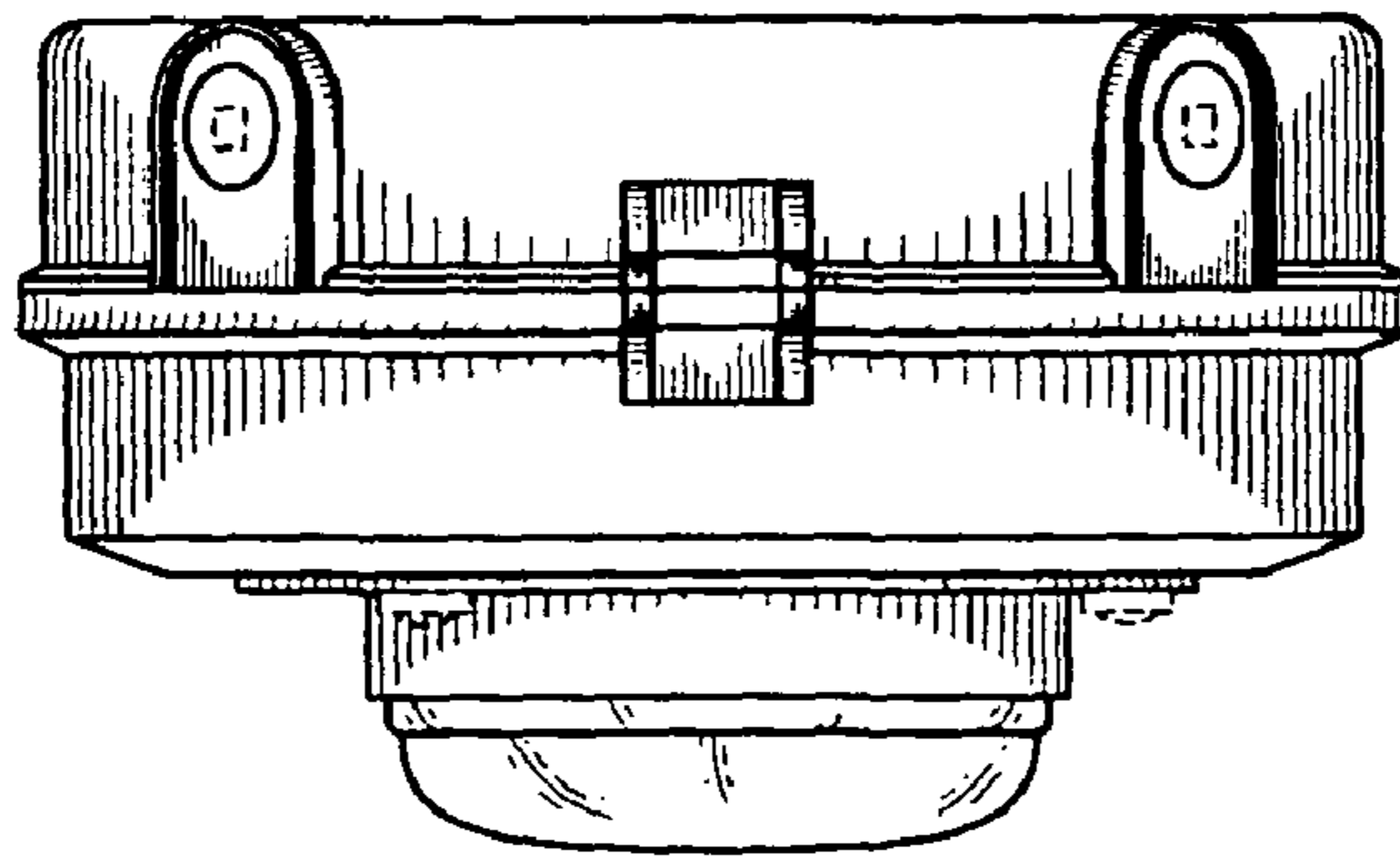


FIG. 6

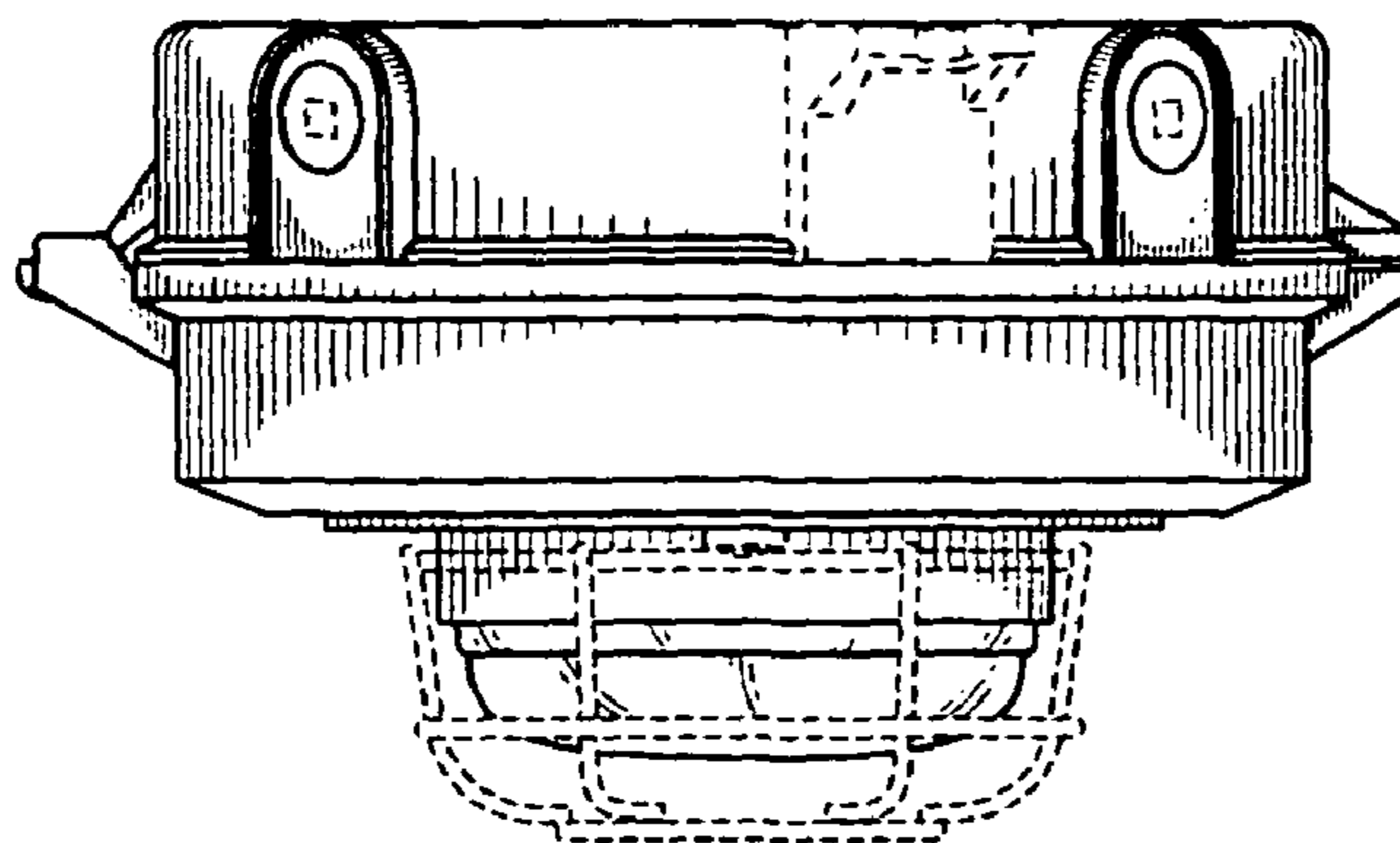


FIG. 7