



US00D637339S

(12) **United States Design Patent**  
**Hasan et al.**

(10) **Patent No.:** **US D637,339 S**

(45) **Date of Patent:** **\*\* May 3, 2011**

(54) **LED LIGHT FIXTURE**

(75) Inventors: **Syed Q. Hasan**, Sugar Land, TX (US);  
**Anibal Rosado**, Pearland, TX (US)

(73) Assignee: **Rig-A-Lite Partnership Ltd.**, Houston,  
TX (US)

(\*\*) Term: **14 Years**

(21) Appl. No.: **29/370,179**

(22) Filed: **Jun. 14, 2010**

(51) **LOC (9) Cl.** ..... **26-03**

(52) **U.S. Cl.** ..... **D26/89; D26/72**

(58) **Field of Classification Search** ..... D26/72,  
D26/85, 89, 119, 128; 362/147, 249.02,  
362/350, 404-408, 453-456

See application file for complete search history.

(56) **References Cited**

**U.S. PATENT DOCUMENTS**

D47,607 S *	7/1915	Owen	.....	D26/89
D66,993 S *	4/1925	Verhunce	.....	D26/132
D67,935 S *	8/1925	Ullman	.....	D26/89
D107,877 S *	1/1938	Levy	.....	D26/89
D248,503 S *	7/1978	Grindle	.....	D26/67
D294,871 S *	3/1988	Ewing et al.	.....	D26/85
D343,244 S *	1/1994	Belisle	.....	D26/85
D343,471 S *	1/1994	Belisle et al.	.....	D26/85
D348,532 S *	7/1994	Belisle	.....	D26/85

D378,438 S *	3/1997	Sliney	.....	D26/119
D441,856 S *	5/2001	Wettergren	.....	D23/328
D623,338 S *	9/2010	Mo	.....	D26/72

**OTHER PUBLICATIONS**

Cooper Crouse-Hinds ESP. "Champ® VMV LED Series Luminaires  
Leading the way in LED technology for industrial and hazardous  
applications." Brochure distributed by Cooper Industries, Ltd.

\* cited by examiner

*Primary Examiner* — Clare E Heflin

(74) *Attorney, Agent, or Firm* — Gary L. Bush; Andrews  
Kurth LLP

(57) **CLAIM**

The ornamental design for an LED light fixture, as shown and  
described.

**DESCRIPTION**

FIG. 1 is a side view of an LED light fixture showing our new  
design;

FIG. 2 is an alternate side view thereof showing the side  
opposite that of FIG. 1;

FIG. 3 is a bottom view thereof;

FIG. 4 is a top view thereof;

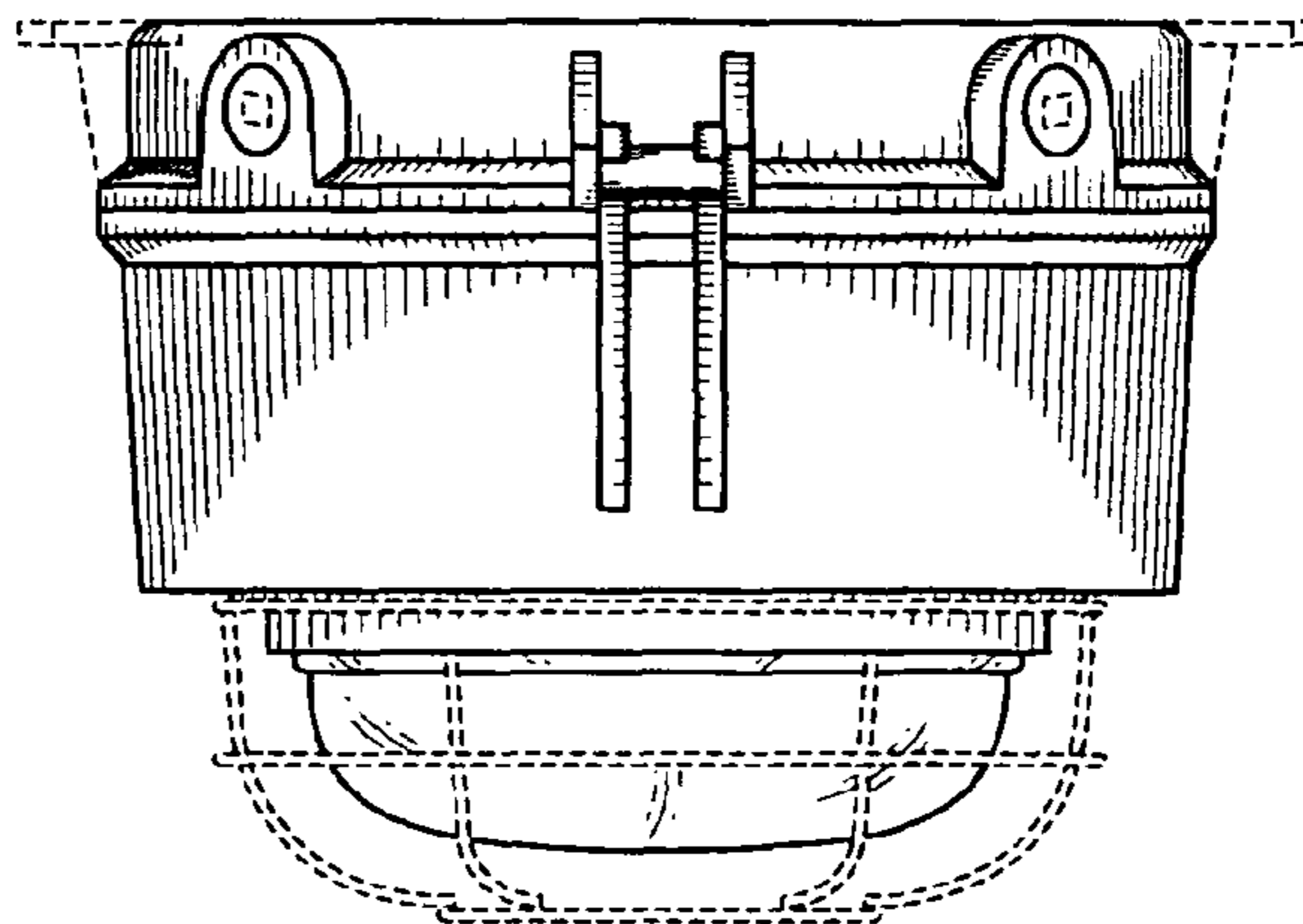
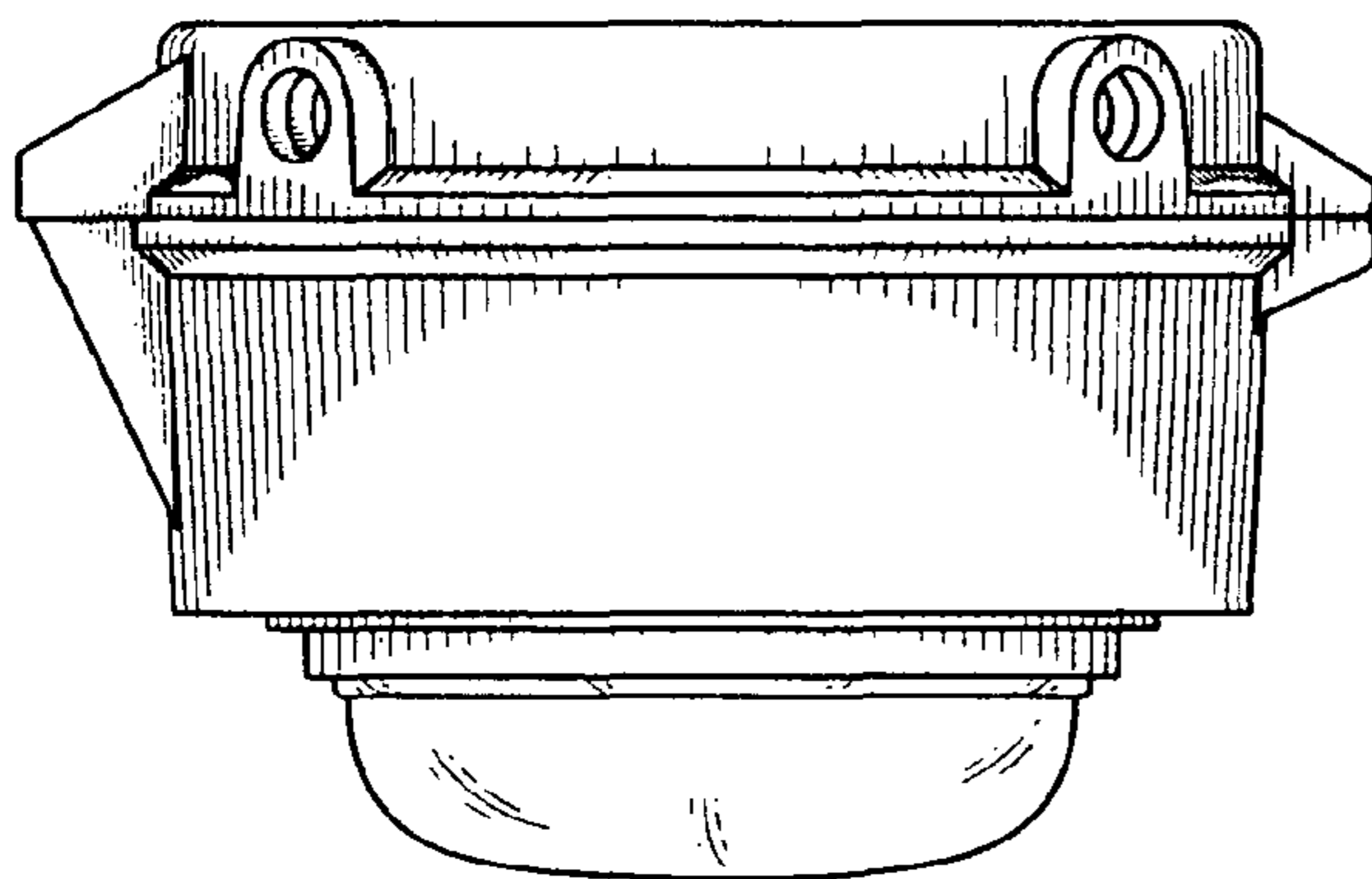
FIG. 5 is a front view thereof;

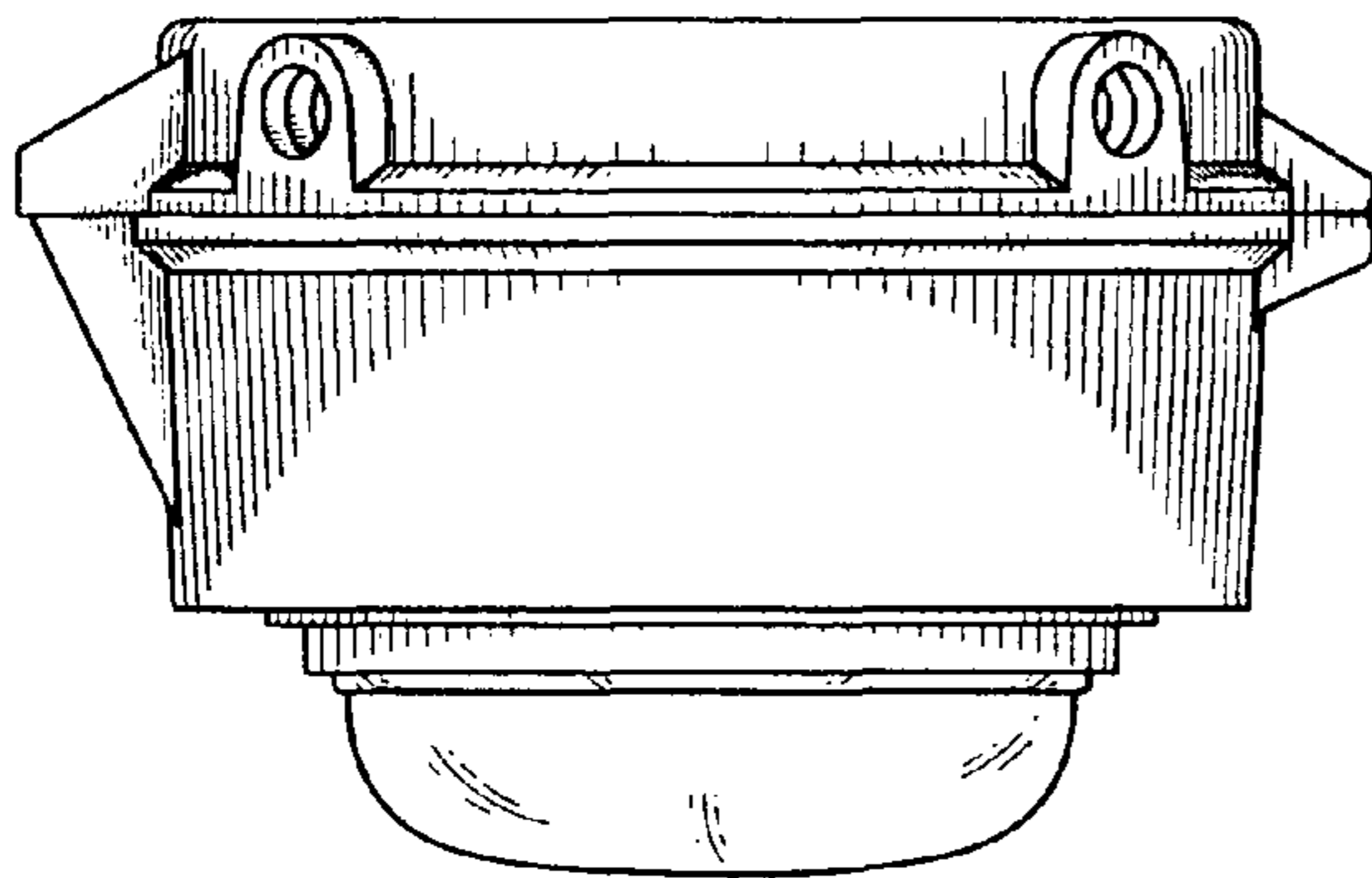
FIG. 6 is a back view thereof; and,

FIG. 7 is an environmental view thereof, showing features  
such as a guard and mounting brackets that may be used with  
the claimed design.

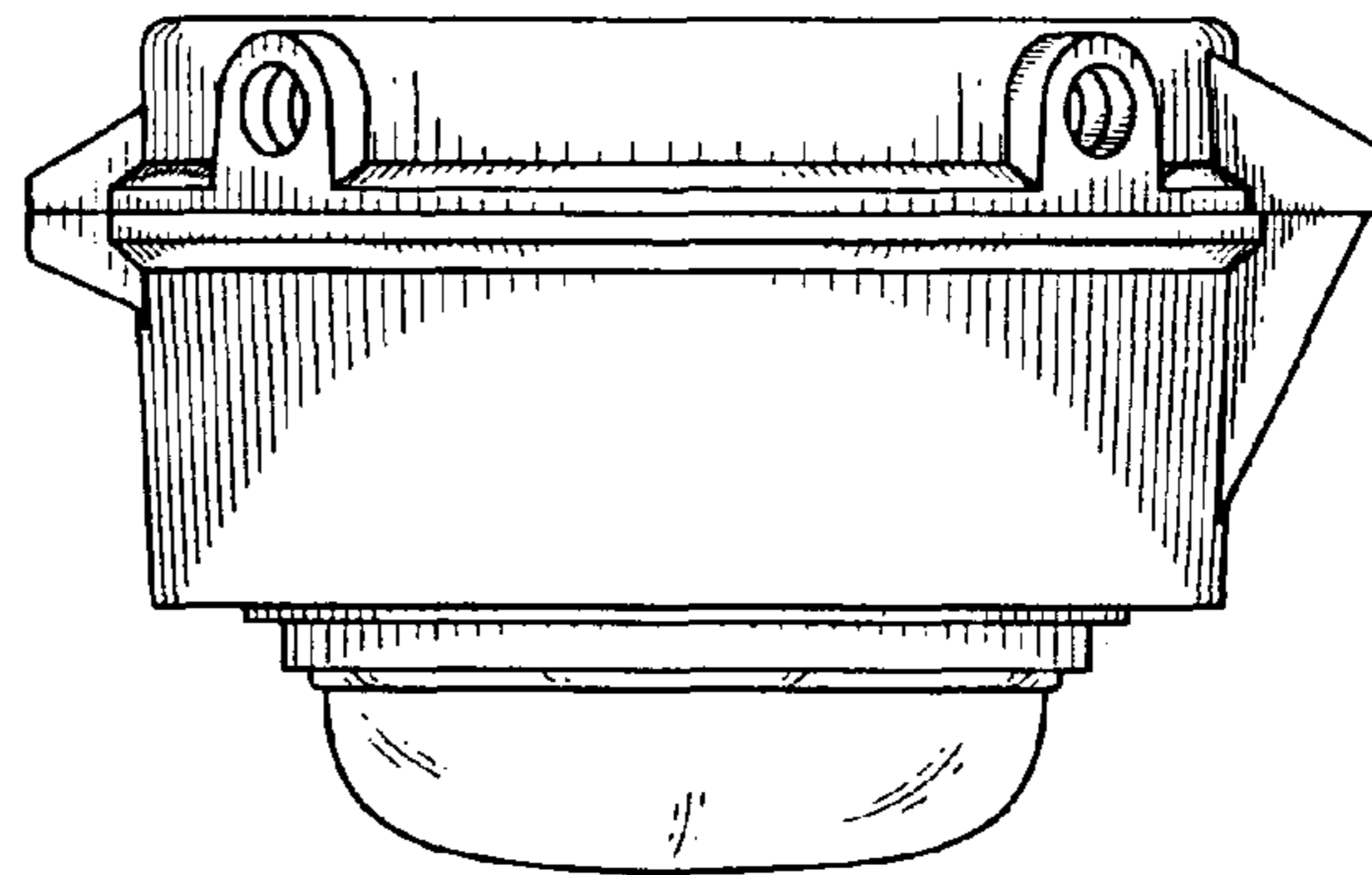
The broken lines in FIG. 7 show environmental features, are  
for illustrative purposes only, and form no part of the claimed  
design.

**1 Claim, 2 Drawing Sheets**

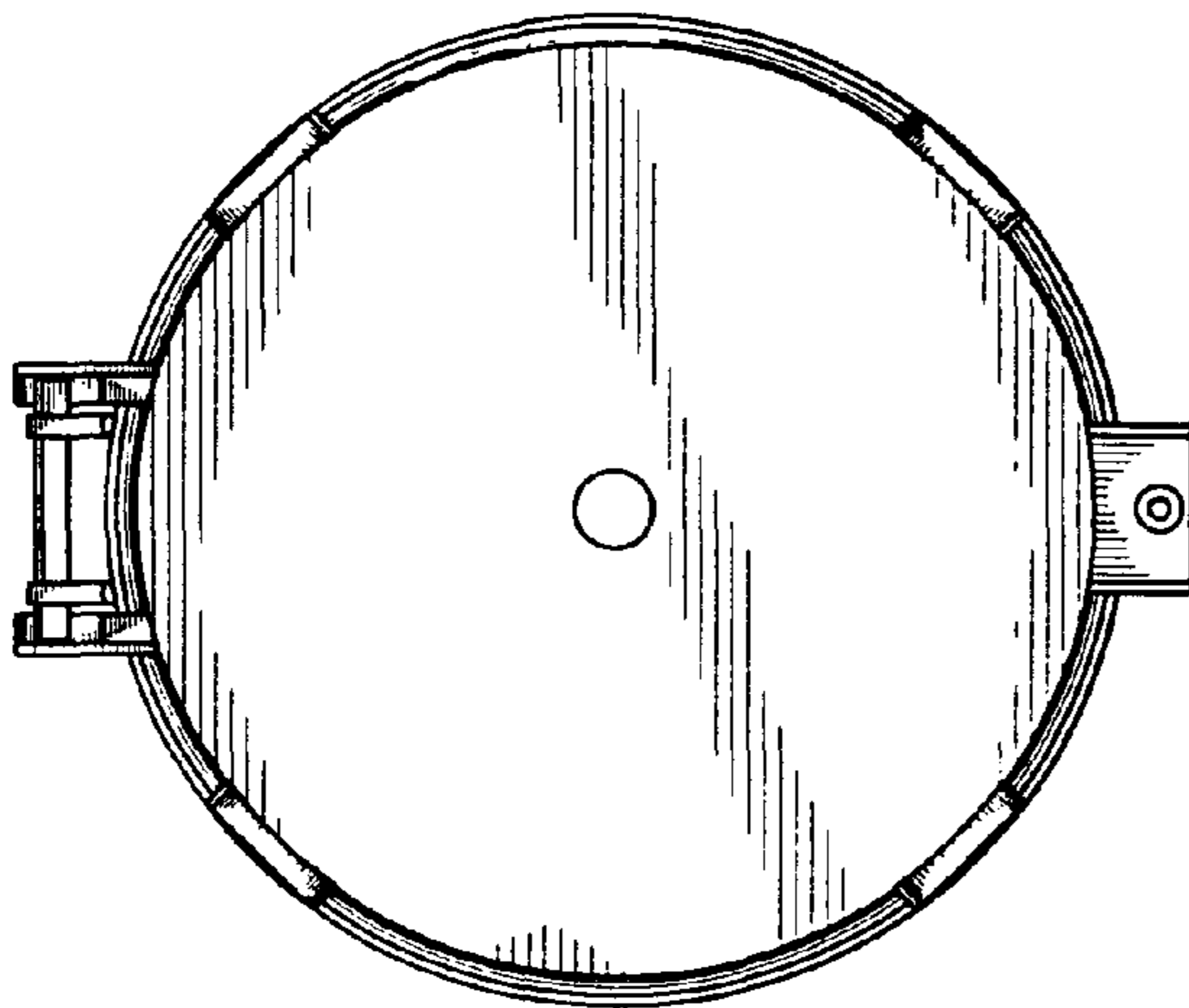




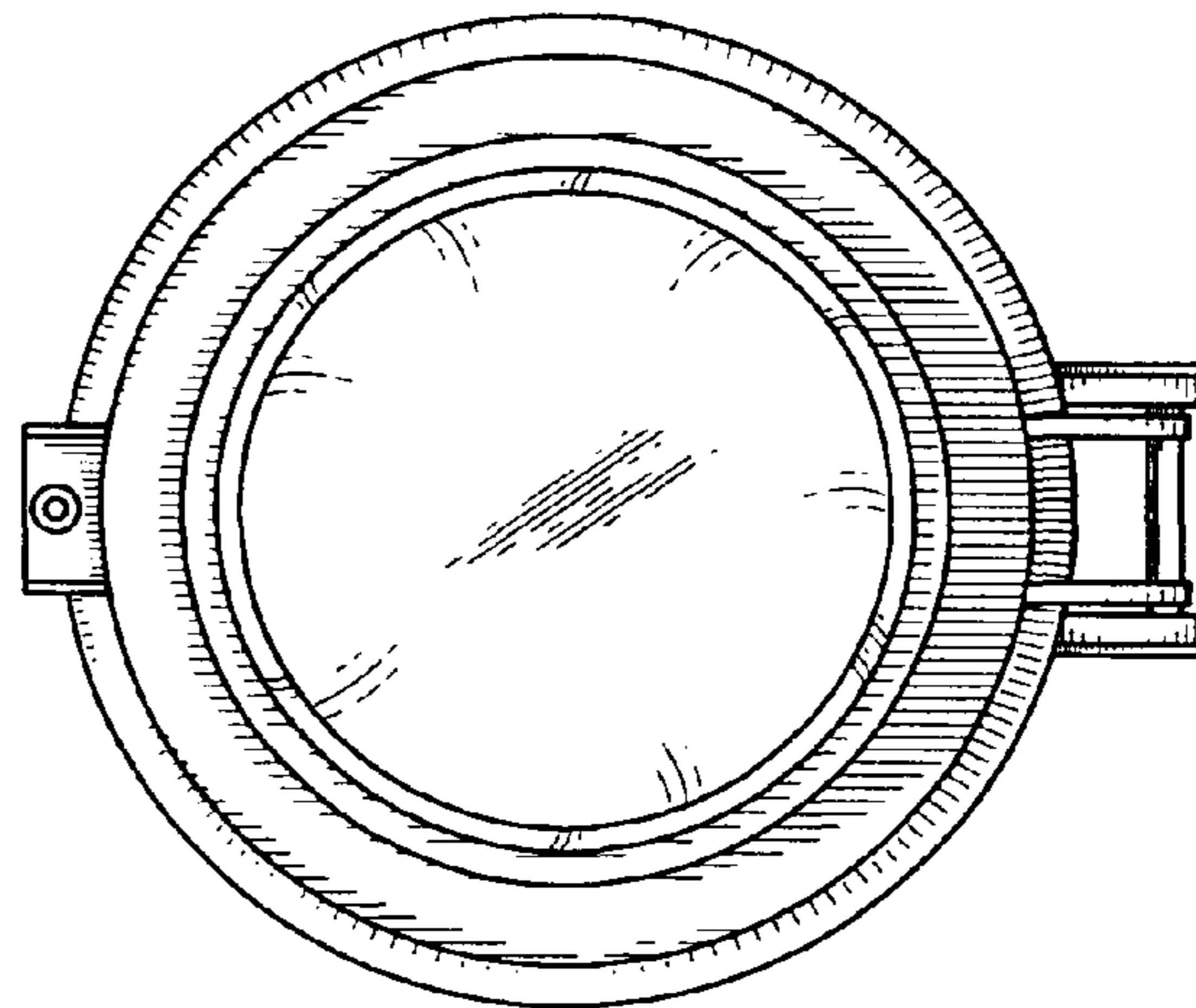
**FIG. 1**



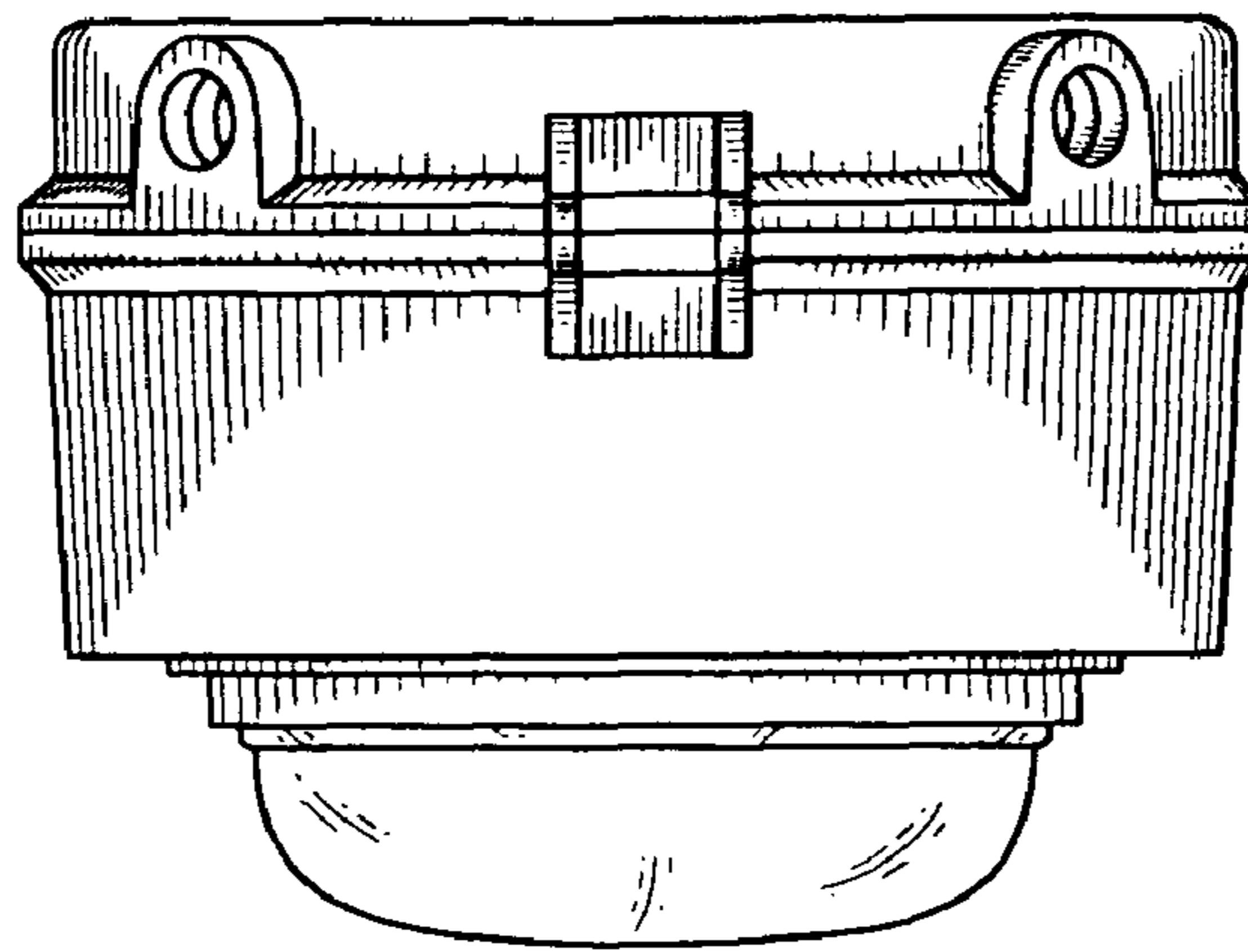
**FIG. 2**



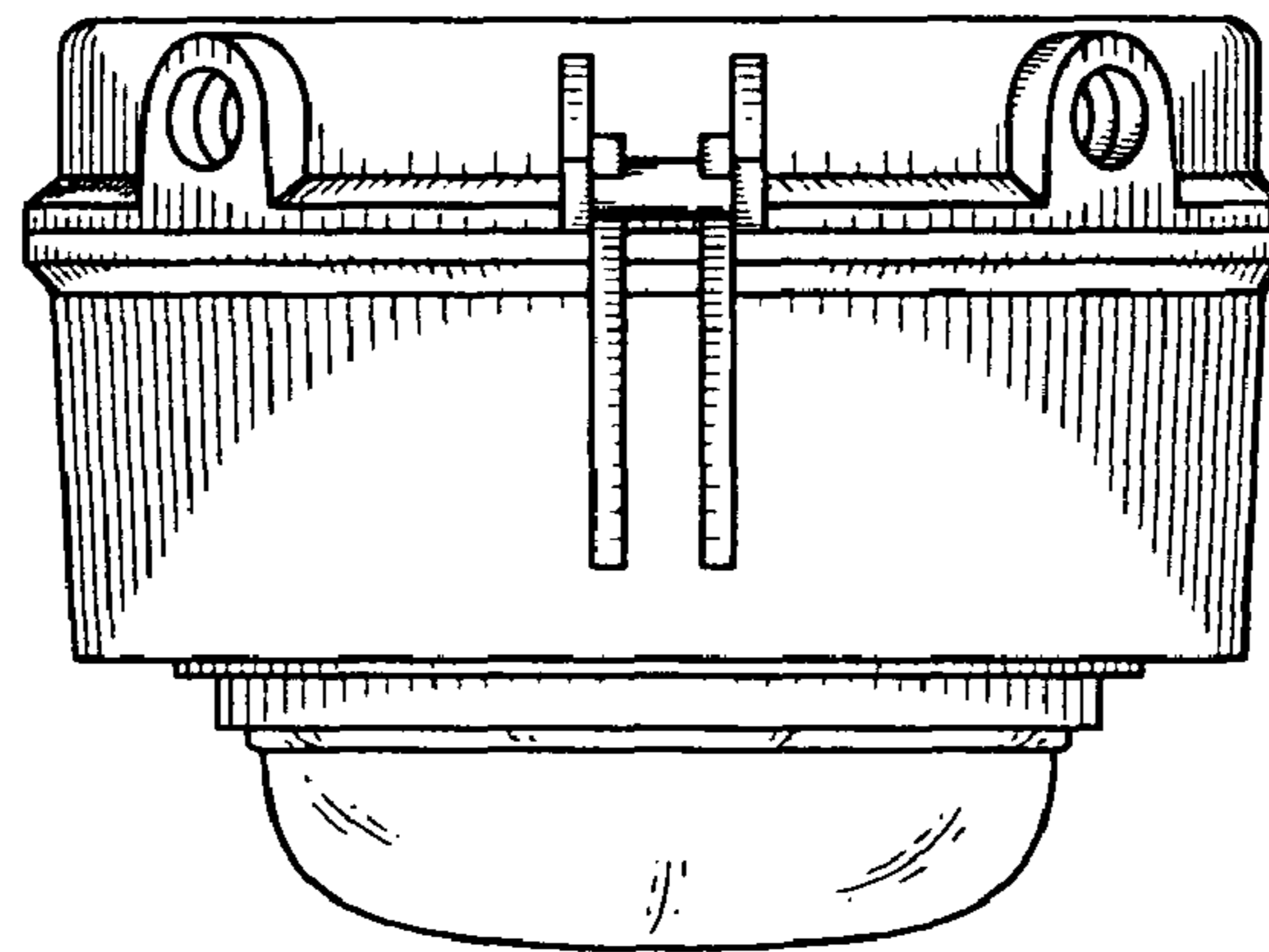
**FIG. 3**



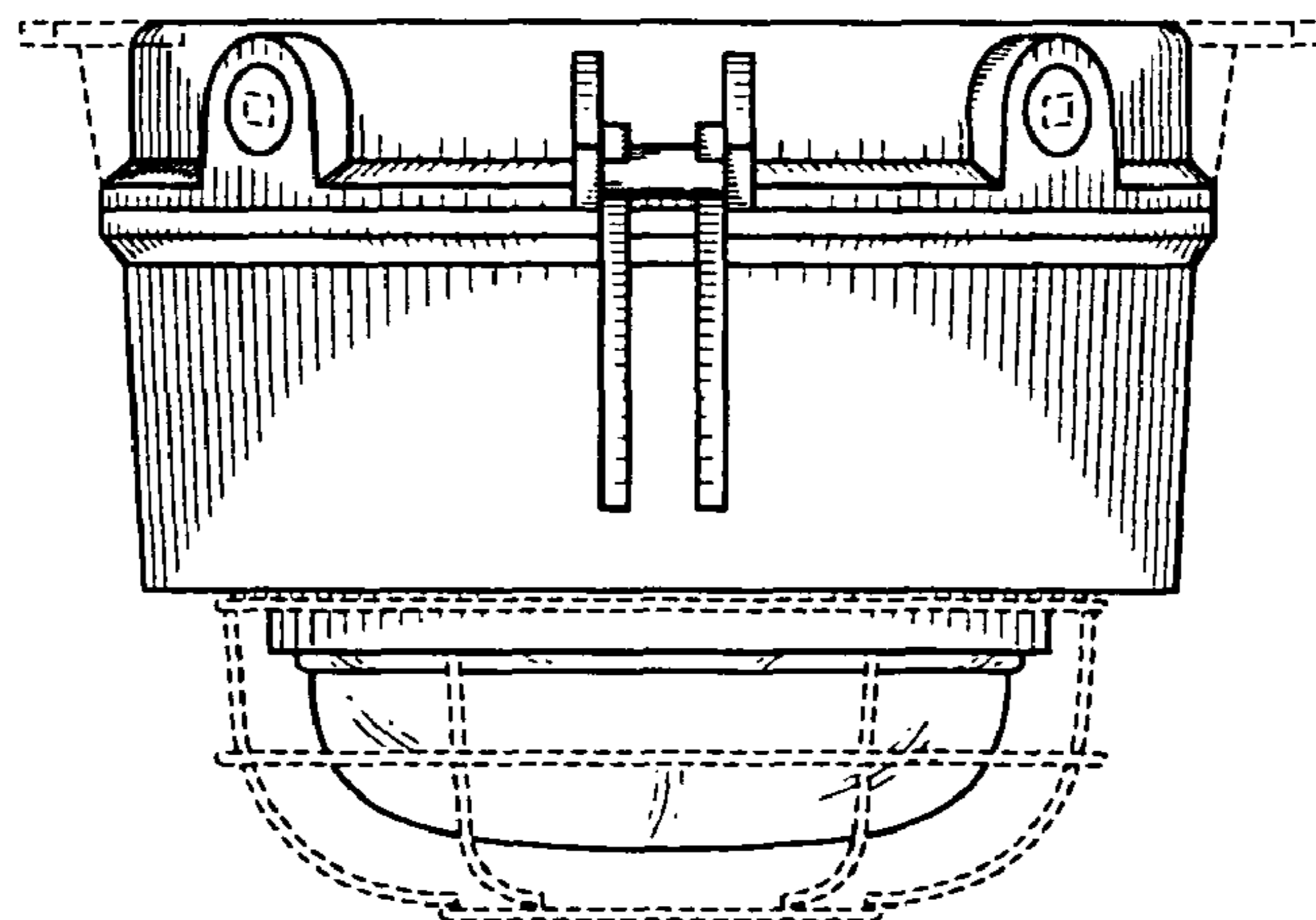
**FIG. 4**



**FIG. 5**



**FIG. 6**



**FIG. 7**