



US00D637338S

(12) **United States Design Patent**
Kong et al.

(10) **Patent No.:** **US D637,338 S**

(45) **Date of Patent:** **** May 3, 2011**

(54) **LED LAMP**

(75) Inventors: **Kyung-II Kong**, Seoul (KR); **Han Gyoul Kim**, Seoul (KR); **Hwayoung Kim**, Seoul (KR); **Ji Yeon Hyun**, Seoul (KR)

(73) Assignee: **LG Innotek Co., Ltd.**, Seoul (KR)

(**) Term: **14 Years**

(21) Appl. No.: **29/375,585**

(22) Filed: **Sep. 24, 2010**

(30) **Foreign Application Priority Data**

Mar. 25, 2010 (KR) 30-2010-0012991
Mar. 25, 2010 (KR) 30-2010-0012992

(51) **LOC (9) Cl.** **26-03**

(52) **U.S. Cl.** **D26/88; D26/76**

(58) **Field of Classification Search** D26/74,
D26/75-78, 88-91; 362/147, 217.01, 217.04,
362/217.06, 217.07, 218, 294
See application file for complete search history.

(56) **References Cited**

U.S. PATENT DOCUMENTS

D128,786 S * 8/1941 McCann D26/90
2,299,870 A * 10/1942 Arras 362/220

D192,745 S * 5/1962 Guth, Jr. D26/76
D285,977 S * 9/1986 De Pas et al. D26/90
D364,478 S * 11/1995 Pesau D26/76
6,161,939 A * 12/2000 Bansbach 362/223
D521,675 S * 5/2006 Chen D26/76
D547,897 S * 7/2007 Willmorth et al. D26/76
D558,379 S * 12/2007 Citterio D26/76
D610,736 S * 2/2010 Klaus D26/76
D617,935 S * 6/2010 Miletich et al. D26/76

* cited by examiner

Primary Examiner — Clare E Heflin

(74) *Attorney, Agent, or Firm* — KED & Associates LLP

(57) **CLAIM**

The ornamental design for a “LED lamp,” as shown and described.

DESCRIPTION

FIG. 1 is a front perspective view of a LED lamp according to an embodiment;

FIG. 2 is a front view of the LED lamp of FIG. 1;

FIG. 3 is a rear view of the LED lamp of FIG. 1;

FIG. 4 is a left side view of the LED lamp of FIG. 1;

FIG. 5 is a right side view of the LED lamp of FIG. 1;

FIG. 6 is a top view of the LED lamp of FIG. 1;

FIG. 7 is a bottom view of the LED lamp of FIG. 1; and,

FIG. 8 is a perspective view of the LED lamp of FIG. 1 shown in use with a holder for a LED lamp.

The broken lines shown on the drawings depict portions of the LED lamp that form no part of the claimed design.

1 Claim, 5 Drawing Sheets

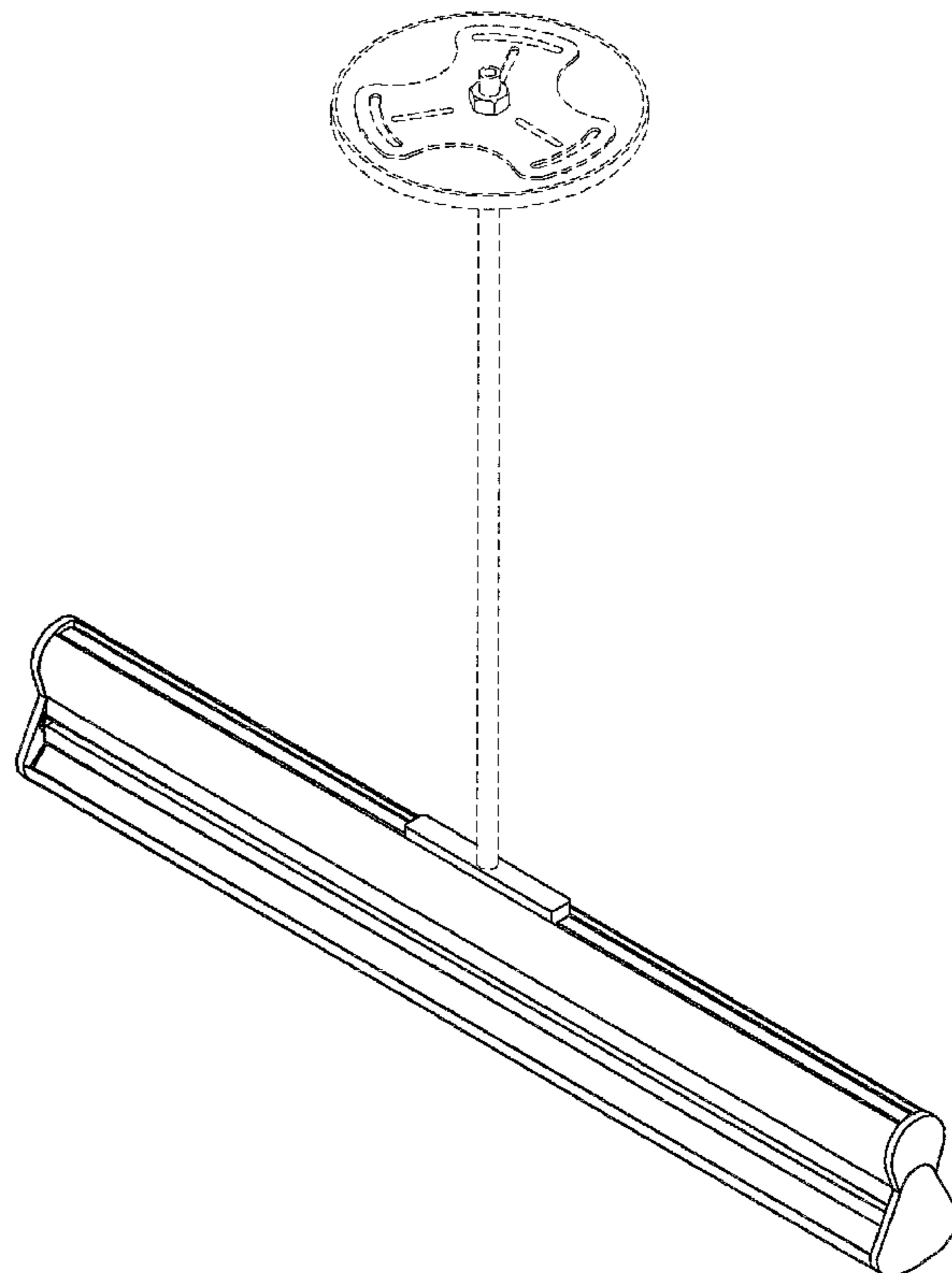
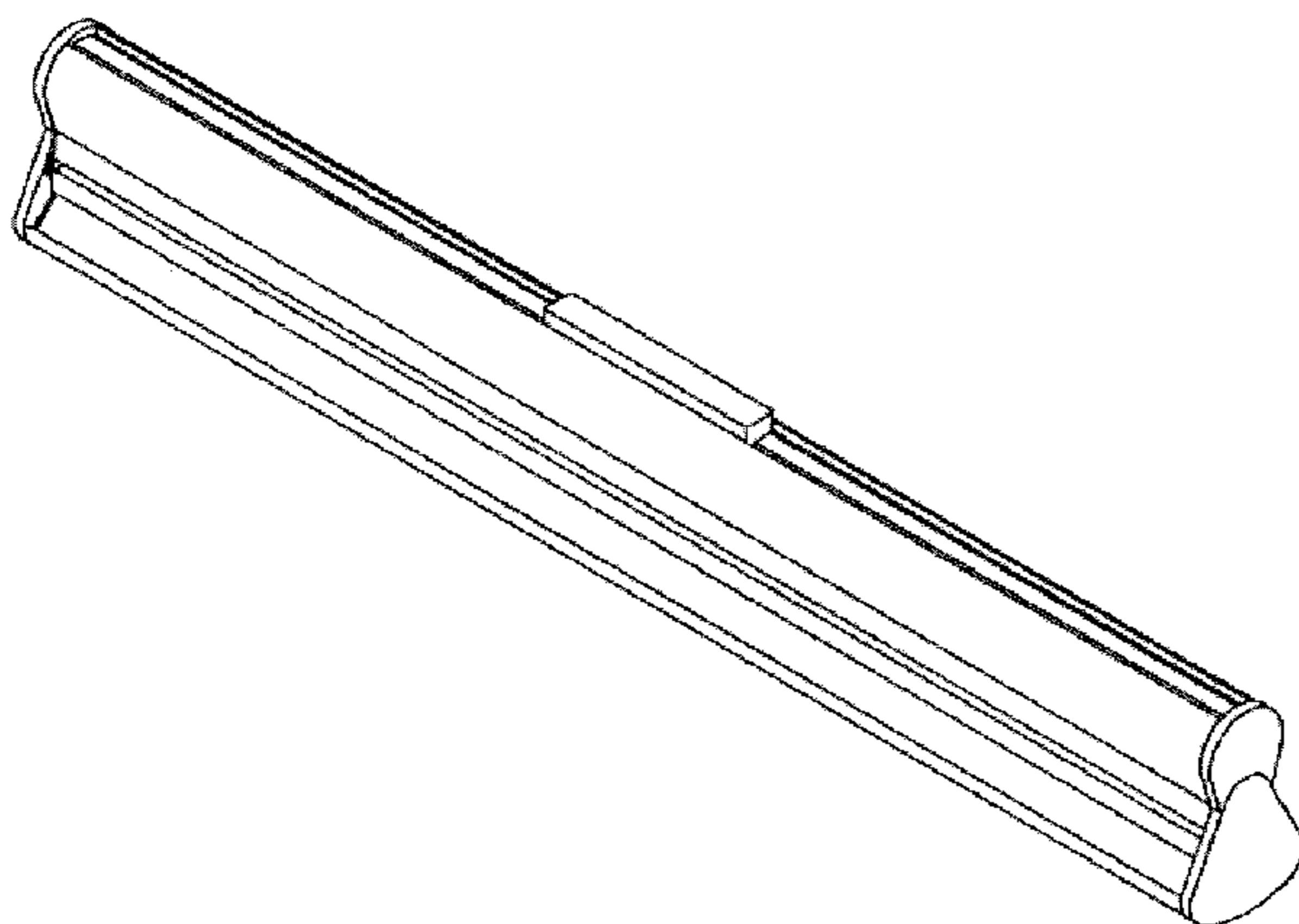


Figure 1

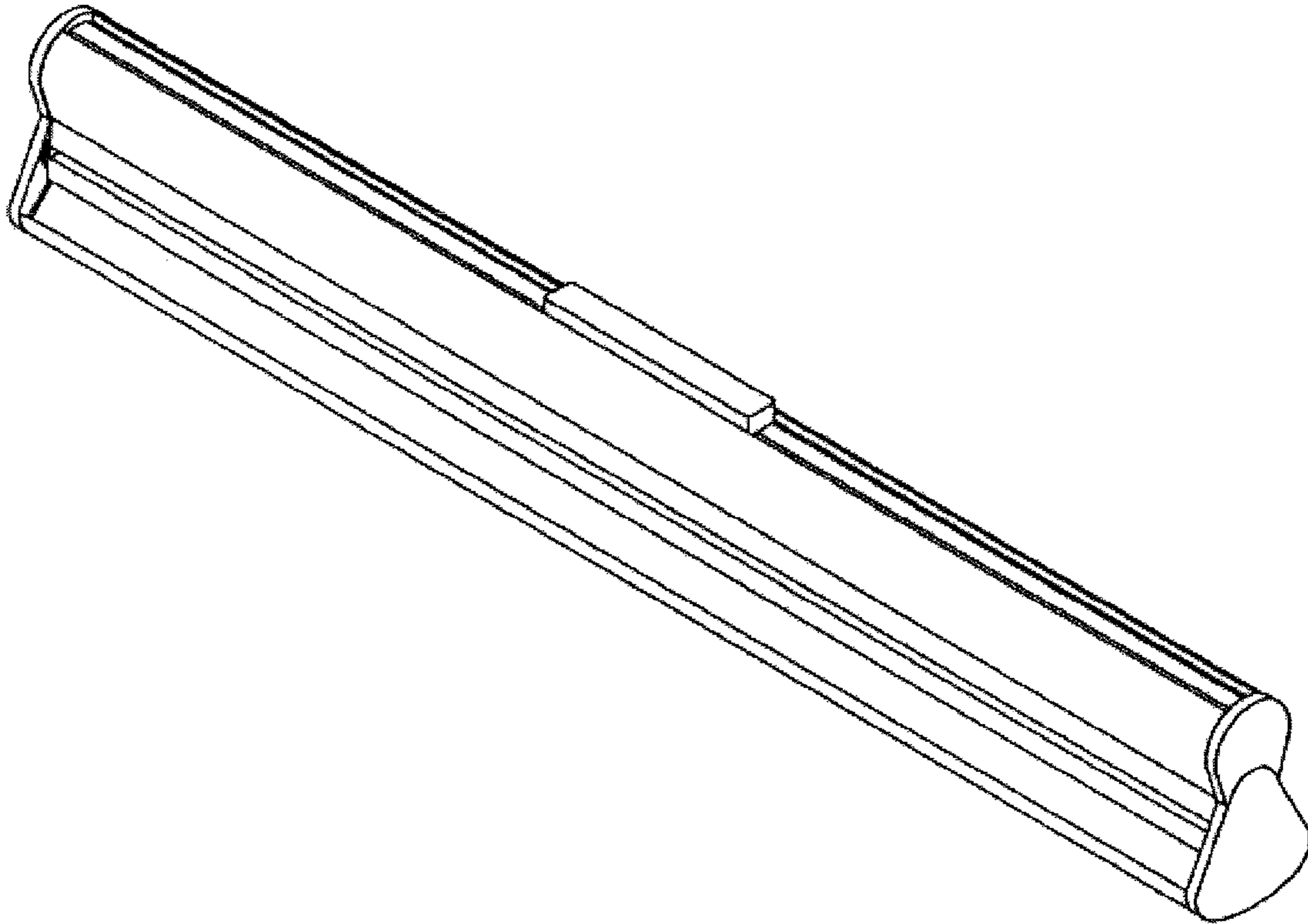


Figure 2



Figure 3

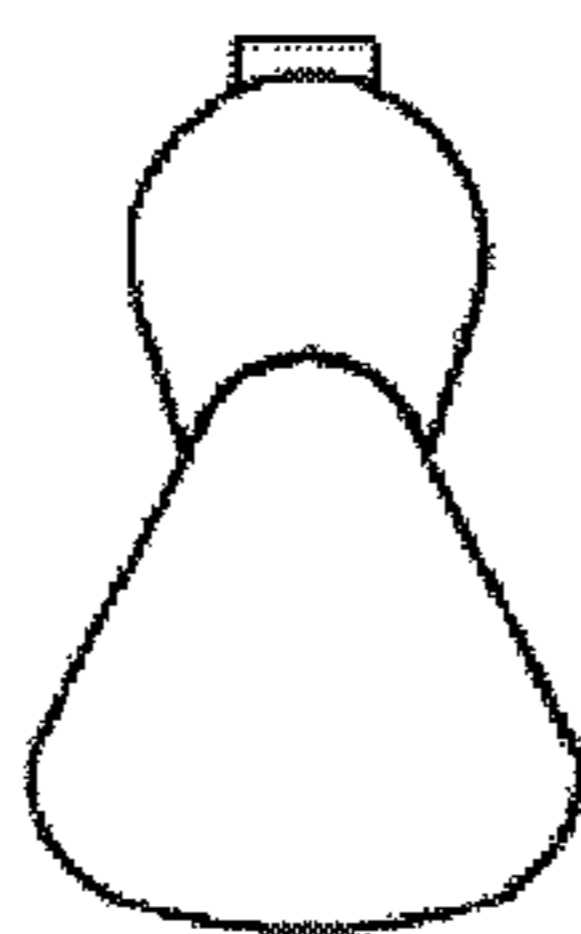


Figure 4

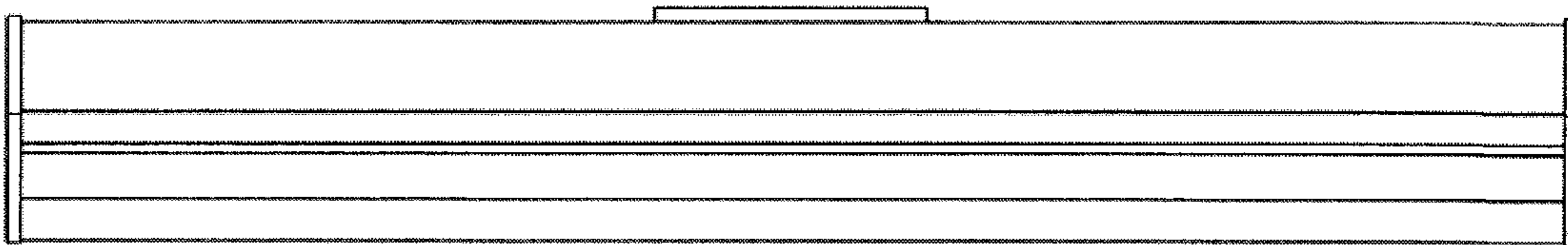


Figure 5

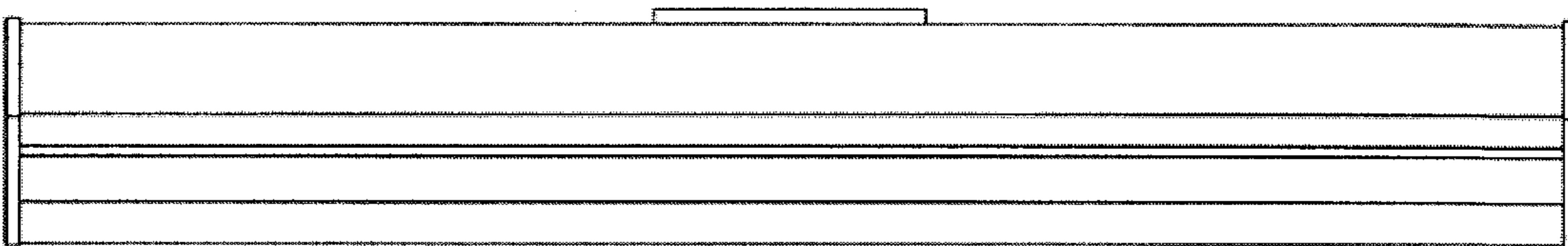


Figure 6

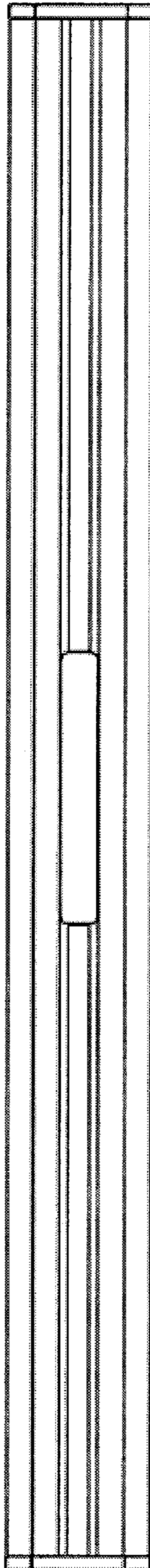


Figure 7

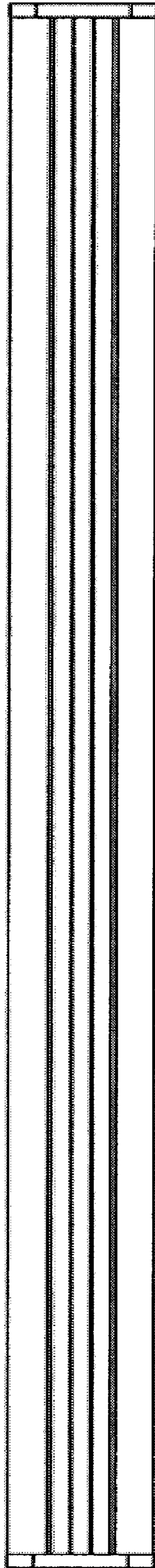


Figure 8

