



US00D637337S

(12) **United States Design Patent**
Sole'

(10) **Patent No.:** **US D637,337 S**

(45) **Date of Patent:** **** May 3, 2011**

(54) **LAMP**

(75) Inventor: **Eric Sole'**, Milan (IT)

(73) Assignee: **Artemide S.p.A.**, Milan (IT)

(**) Term: **14 Years**

(21) Appl. No.: **29/327,027**

(22) Filed: **Oct. 29, 2008**

(30) **Foreign Application Priority Data**

Apr. 29, 2008 (EM) 000926316

(51) **LOC (9) Cl.** **26-03**

(52) **U.S. Cl.** **D26/85**

(58) **Field of Classification Search** D26/67-71,
D26/85, 93, 118, 128; 362/152, 153, 153.1,
362/180, 183, 431, 653

See application file for complete search history.

(56) **References Cited**

U.S. PATENT DOCUMENTS

D194,405 S *	1/1963	Rodriguez	D26/128
D200,549 S *	3/1965	Nunn, Jr.	D10/114
D213,530 S *	3/1969	Kahn	D10/114
4,575,783 A *	3/1986	Hammond	362/145
D443,382 S *	6/2001	Vong et al.	D26/93

D522,686 S *	6/2006	Lee	D26/142
D576,342 S *	9/2008	Sole	D26/92
D589,645 S *	3/2009	Citterio	D26/107
7,578,597 B2 *	8/2009	Hoover et al.	362/153.1
D599,496 S *	9/2009	Lodhie	D26/67
D616,130 S *	5/2010	Tortel	D26/67
D620,169 S *	7/2010	Schwartz et al.	D26/71
D620,170 S *	7/2010	Schwartz et al.	D26/71

* cited by examiner

Primary Examiner — Clare E Heflin

(74) *Attorney, Agent, or Firm* — Ladas & Parry LLP

(57) **CLAIM**

I claim the ornamental design for a lamp, as shown and described.

DESCRIPTION

FIG. 1 is a perspective view of a lamp showing my design from an inclined angle;

FIG. 2 is a top view thereof;

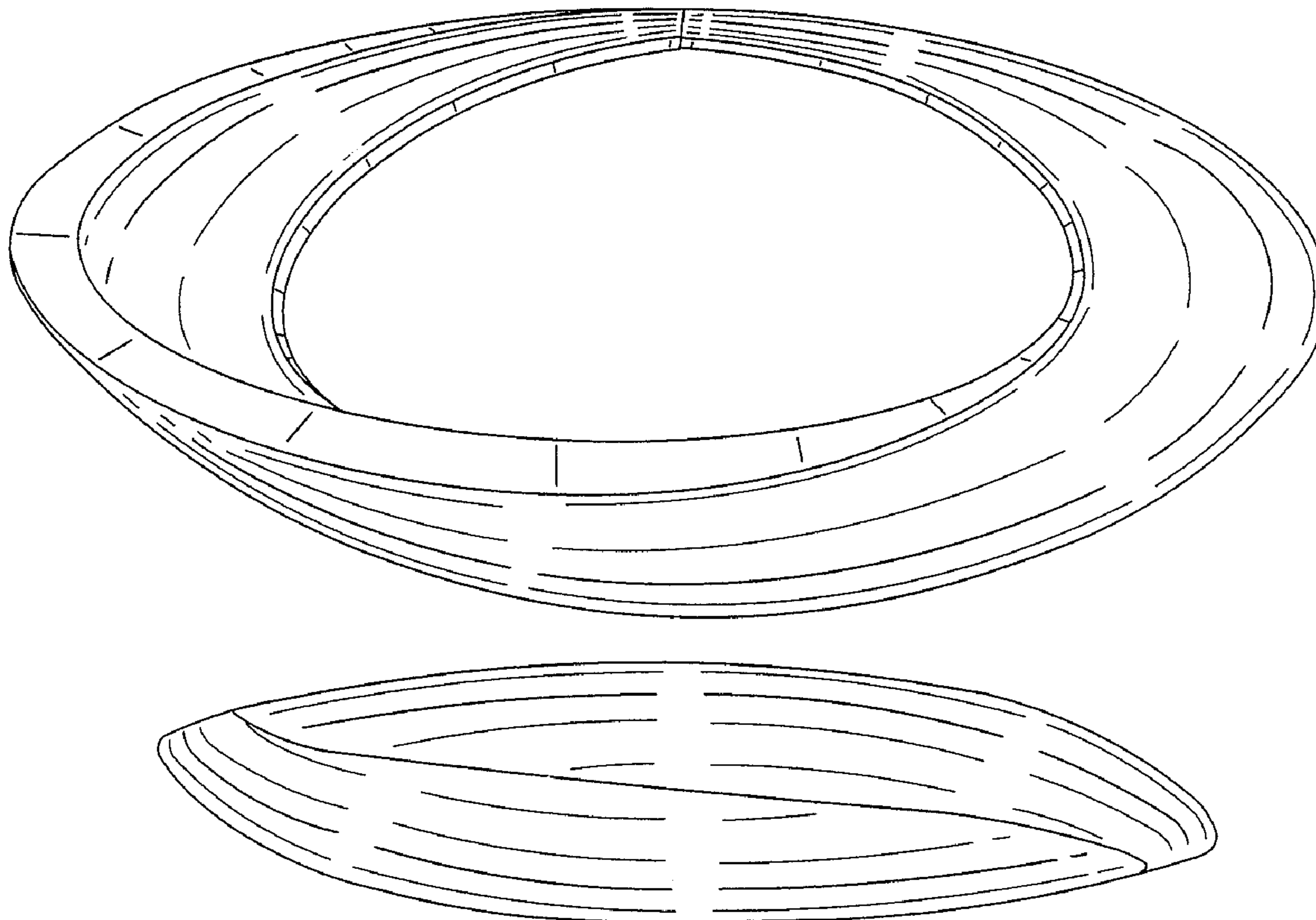
FIG. 3 is a bottom view thereof;

FIG. 4 is a side view thereof (the opposite side being the mirror image); and,

FIG. 5 is a front view thereof.

The broken lines shown on the drawings depict portions of the lamp that form no part of the claimed design.

1 Claim, 2 Drawing Sheets



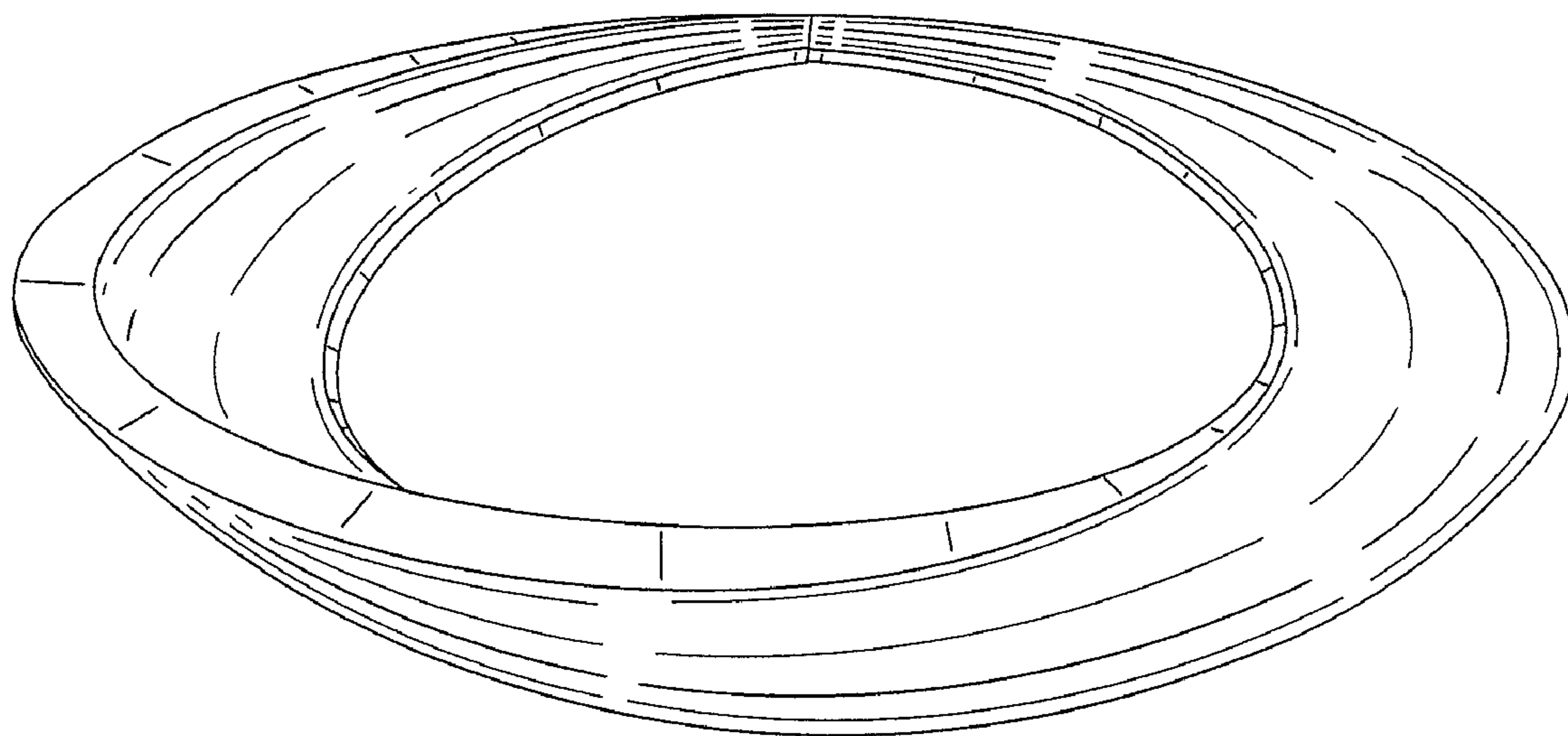


FIG. 1

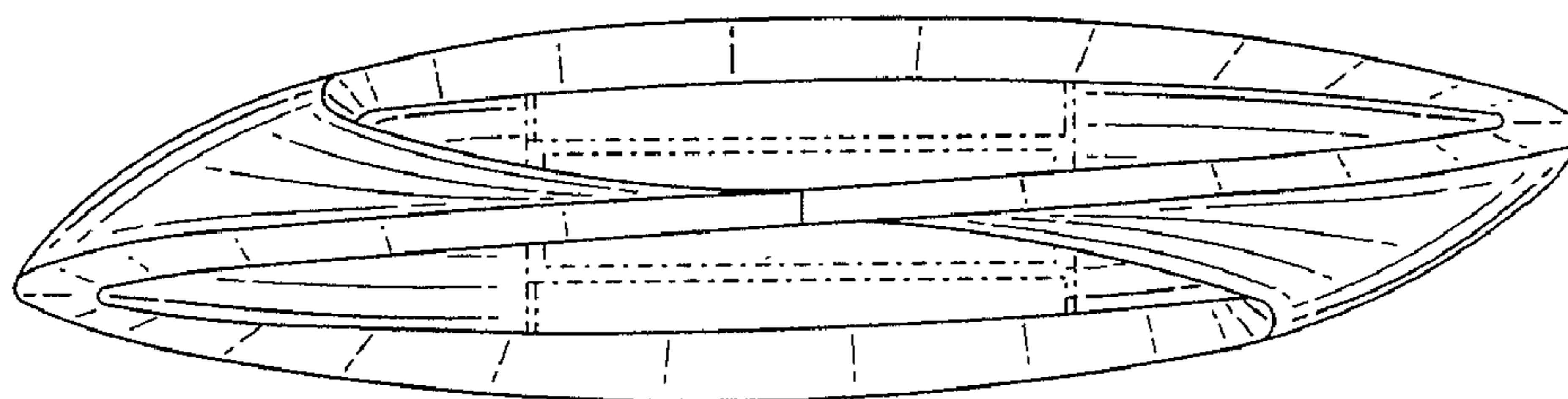


FIG. 2

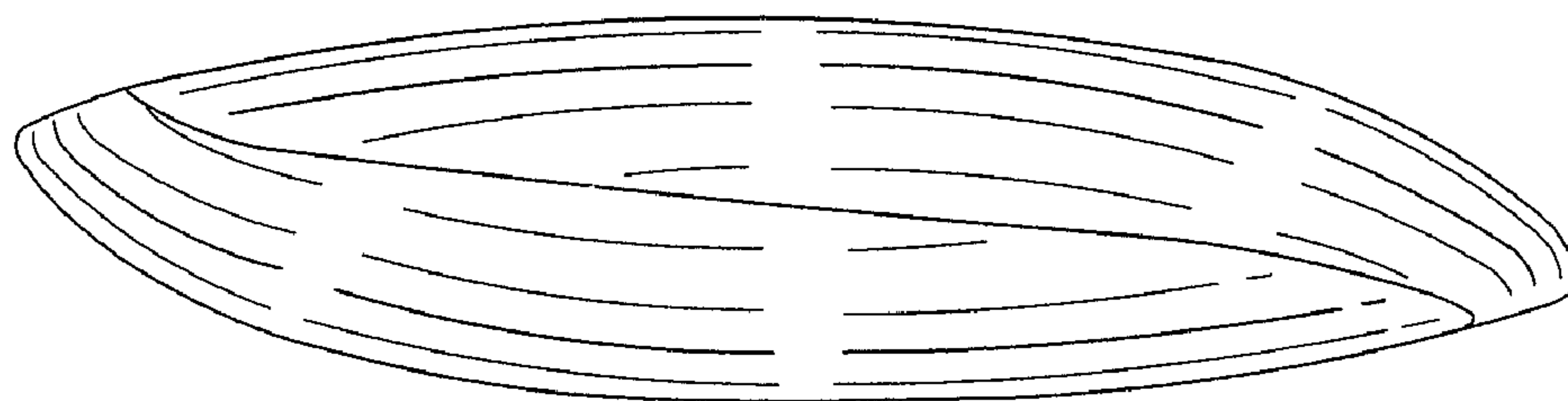


FIG. 3

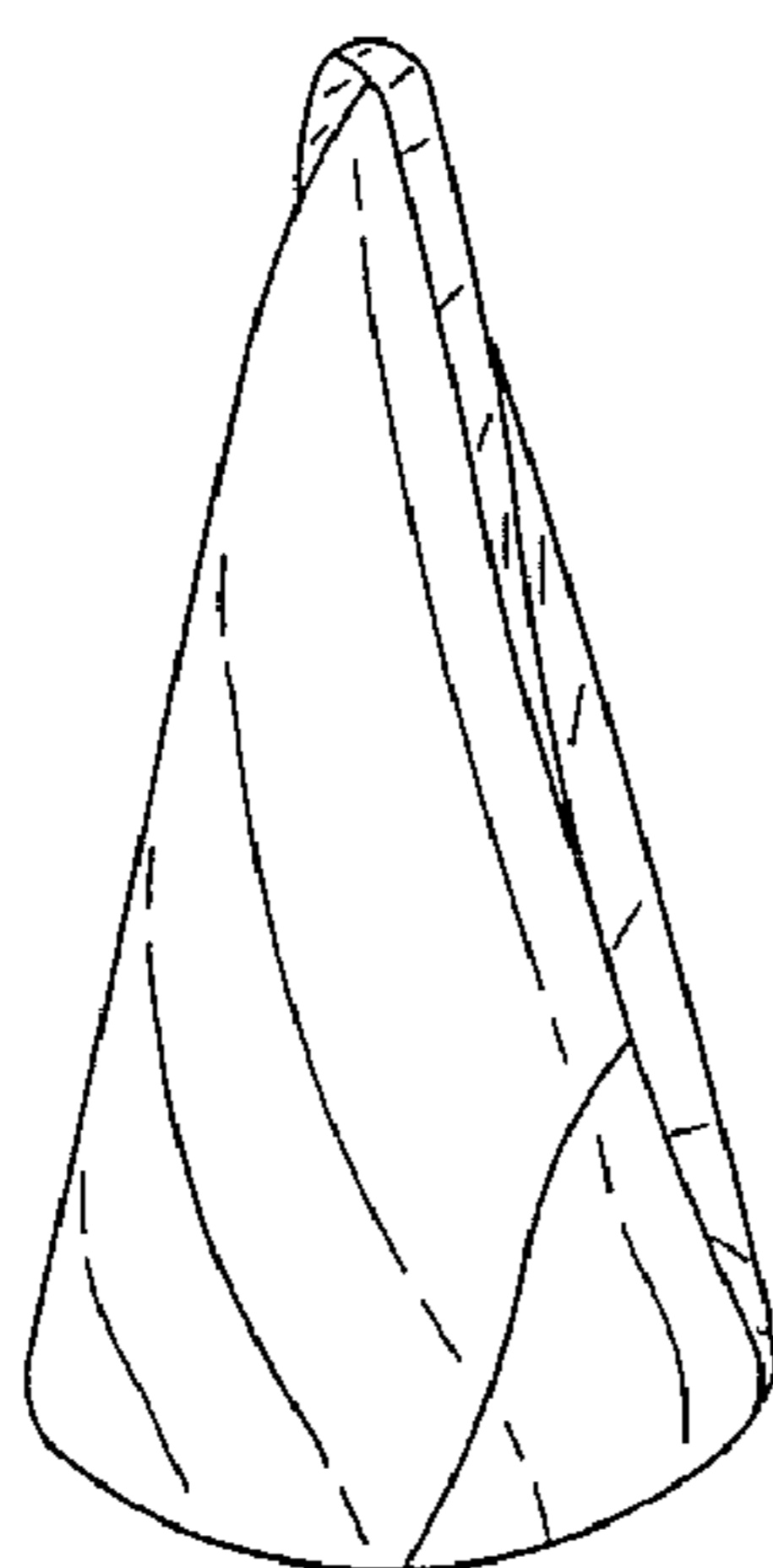


FIG. 4

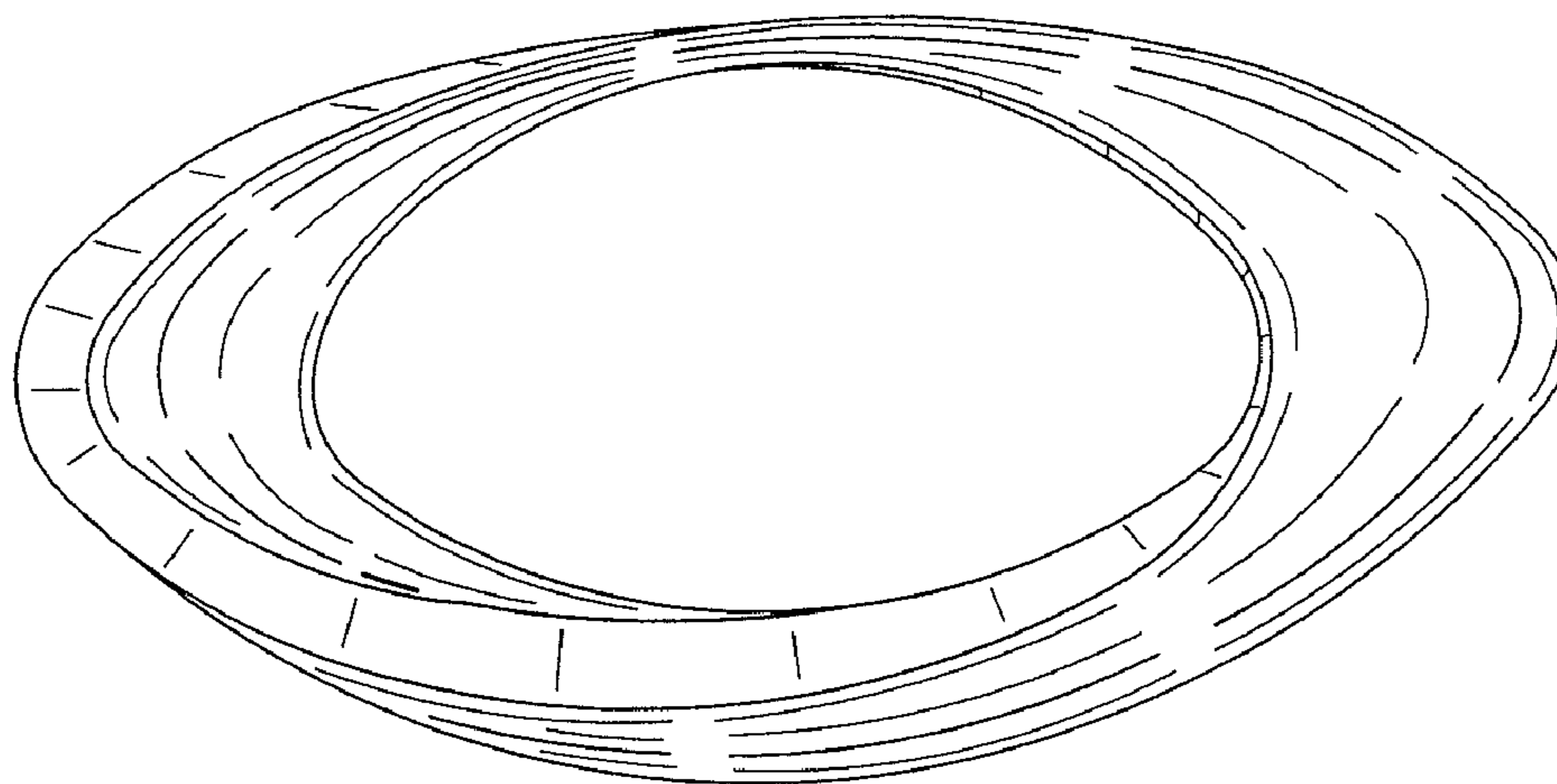


FIG. 5