



US00D637335S

(12) **United States Design Patent**
Bembridge

(10) **Patent No.:** **US D637,335 S**

(45) **Date of Patent:** **** May 3, 2011**

(54) **LUMINAIRE FOR ROAD LIGHTING**

(56) **References Cited**

(75) Inventor: **Mat Bembridge**, Rotterdam (NL)

U.S. PATENT DOCUMENTS

(73) Assignee: **Koninklijke Philips Electronics N.V.**,
Eindhoven (NL)

D164,668	S	*	10/1951	Carrithers	D26/107
D171,952	S	*	4/1954	Pettengill	D26/71
D202,372	S	*	9/1965	Deskey	D26/69
D464,018	S	*	10/2002	Anderson	D12/317
D530,443	S	*	10/2006	Rausch	D26/69
D598,156	S	*	8/2009	Xiao et al.	D26/69
D599,049	S	*	8/2009	Guercio	D26/69
D624,689	S	*	9/2010	Kao	D26/102

(**) Term: **14 Years**

* cited by examiner

(21) Appl. No.: **29/368,335**

Primary Examiner — Clare E Heflin

(22) Filed: **Aug. 23, 2010**

(57) **CLAIM**

(30) **Foreign Application Priority Data**

The ornamental design for a luminaire for road lighting, as shown.

Feb. 25, 2010 (EM) 001674433-0001

DESCRIPTION

(51) **LOC (9) Cl.** **26-05**

FIG. 1 is a perspective view showing my design;

(52) **U.S. Cl.** **D26/69**

FIG. 2 is a front elevational view thereof;

(58) **Field of Classification Search** D26/67-71,

FIG. 3 is a rear elevational view thereof;

D26/85, 92, 107; 362/145, 183, 231, 240,

FIG. 4 is a right side elevational view thereof;

362/249.02, 249.03, 249.04, 249.06, 249.16,

FIG. 5 is a left side elevational view thereof;

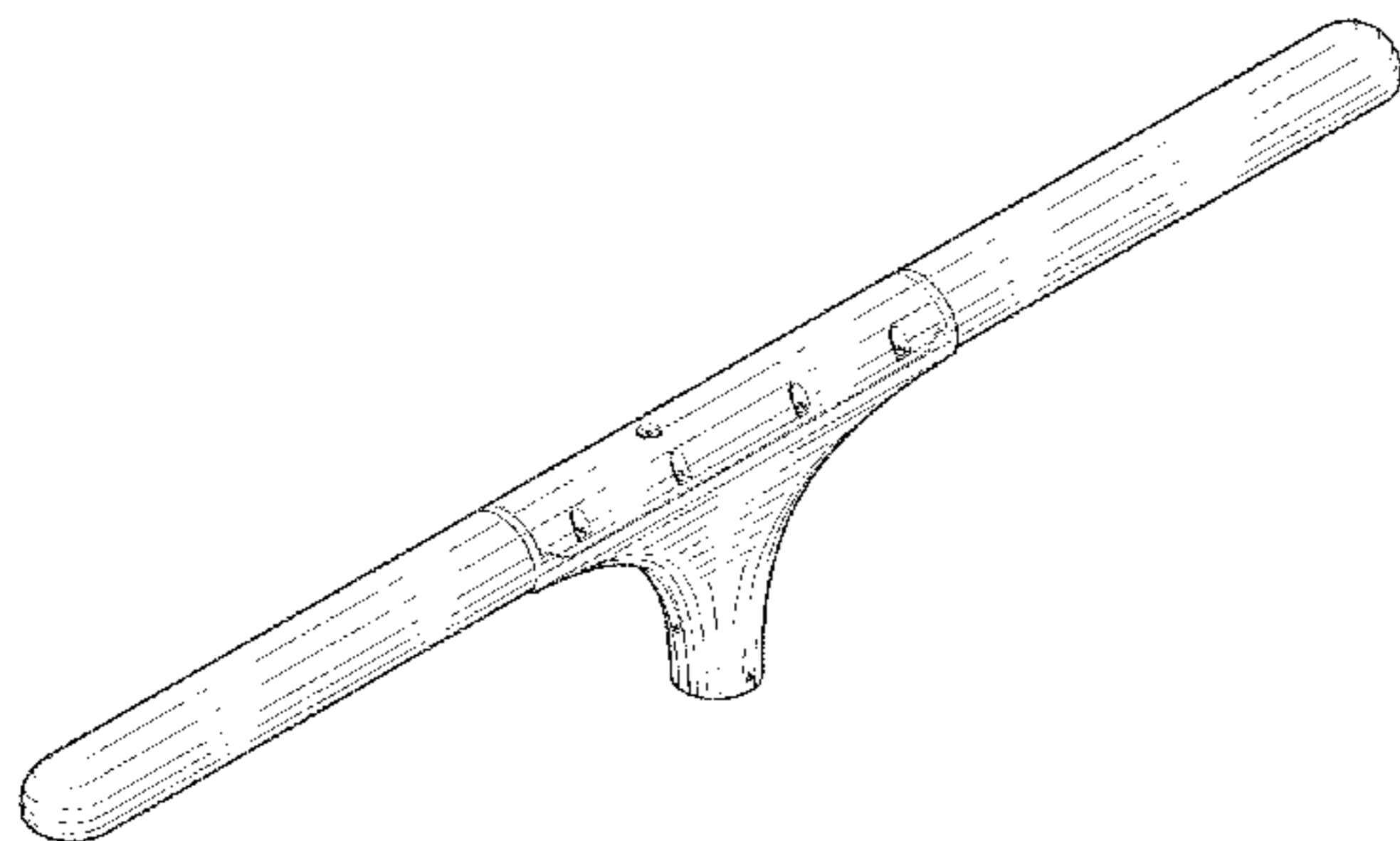
362/373, 431, 432

FIG. 6 is a top plan view thereof; and,

See application file for complete search history.

FIG. 7 is a bottom plan view thereof.

1 Claim, 3 Drawing Sheets



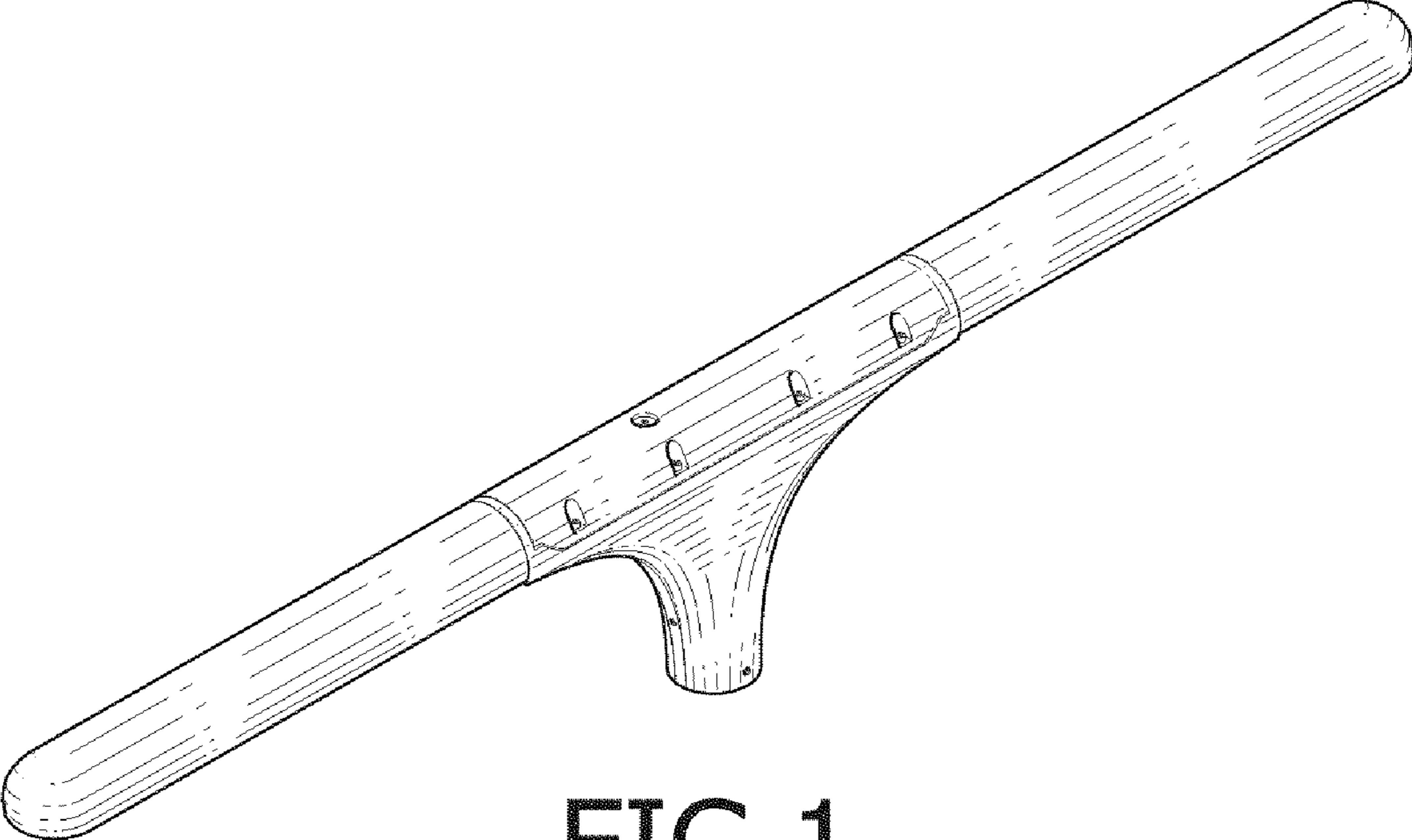


FIG. 1

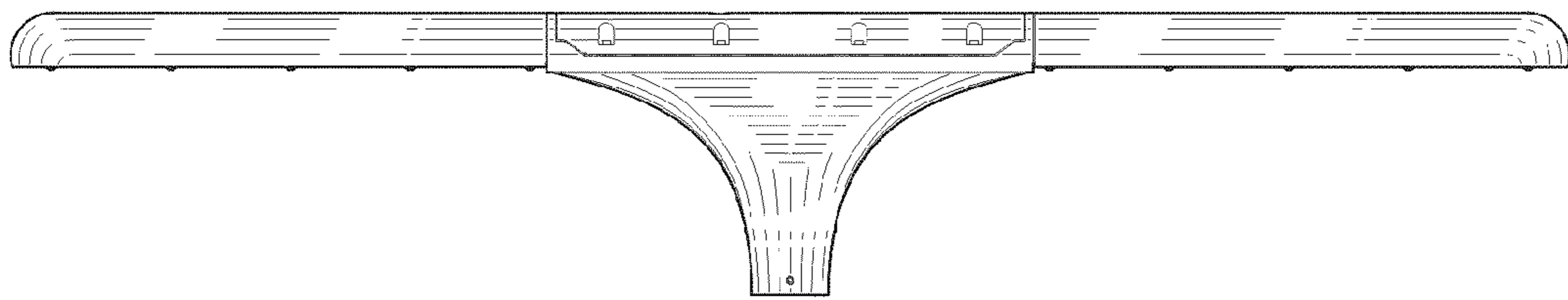


FIG. 2

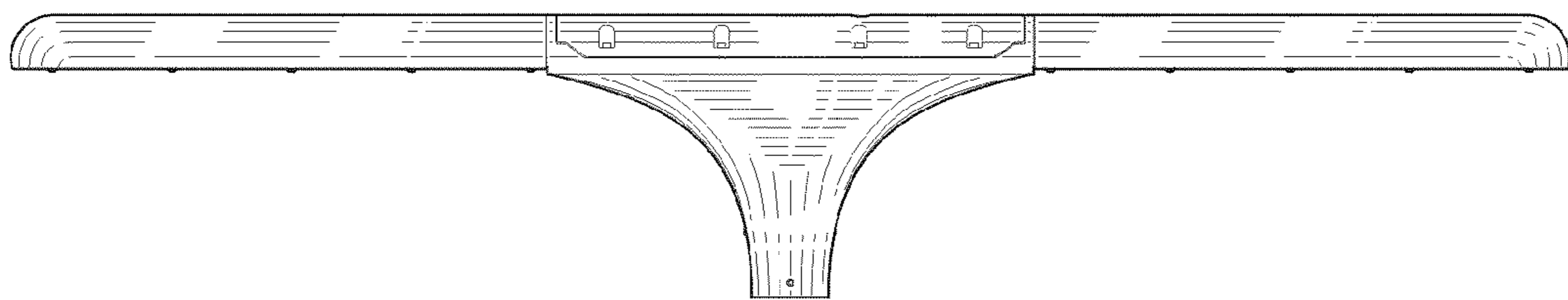


FIG. 3

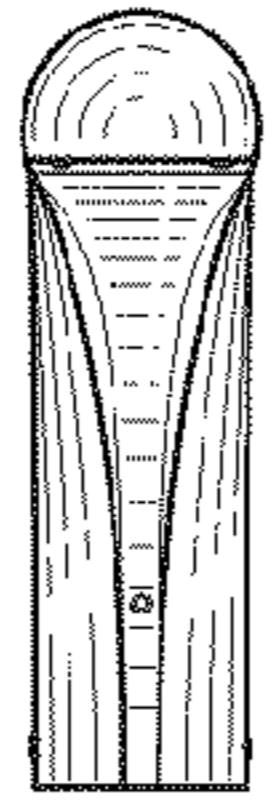


FIG. 4

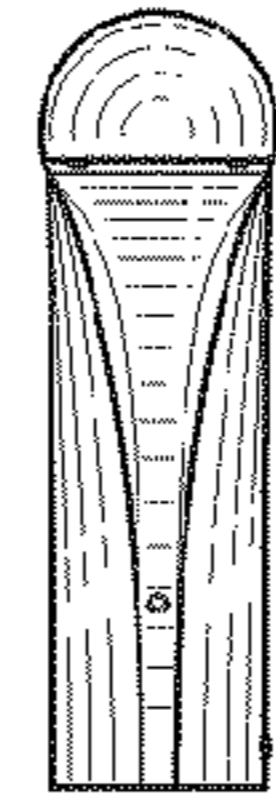


FIG. 5

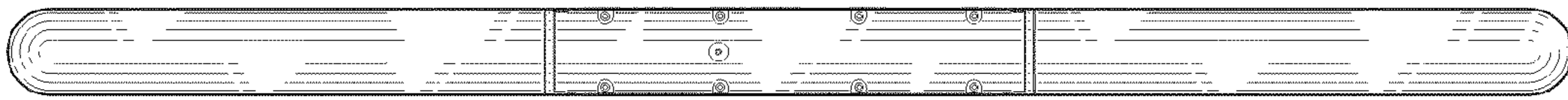


FIG. 6

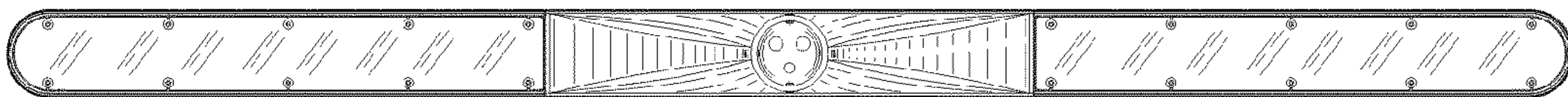


FIG. 7