



US00D637334S

(12) **United States Design Patent**  
**Sooferian**

(10) **Patent No.:** **US D637,334 S**

(45) **Date of Patent:** **\*\* May 3, 2011**

(54) **SOLAR LIGHT**

(76) Inventor: **Danny H. Sooferian**, Camarillo, CA  
(US)

(\*\*) Term: **14 Years**

(21) Appl. No.: **29/349,691**

(22) Filed: **Apr. 23, 2010**

(51) **LOC (9) Cl.** ..... **26-05**

(52) **U.S. Cl.** ..... **D26/68**

(58) **Field of Classification Search** ..... D26/67-71,  
D26/73, 85, 101, 125, 128; 362/147, 152,  
362/153, 153.1, 183, 185, 431, 653

See application file for complete search history.

(56) **References Cited**

U.S. PATENT DOCUMENTS

D219,022 S *	10/1970	Yamazaki	.....	D23/210
D235,677 S *	7/1975	Goldberg	.....	D26/68
D458,702 S *	6/2002	Ellis	.....	D26/68
D461,578 S *	8/2002	Cheong	.....	D26/67
D465,296 S *	11/2002	DiPasquale	.....	D26/67
D537,189 S *	2/2007	Zhang	.....	D26/87

D563,016 S *	2/2008	Ho et al.	.....	D26/67
D563,584 S *	3/2008	Lee et al.	.....	D26/67
D564,690 S *	3/2008	Chung et al.	.....	D26/67
D580,084 S *	11/2008	Walsh	.....	D26/68

\* cited by examiner

*Primary Examiner* — Clare E Heflin

(74) *Attorney, Agent, or Firm* — Colin P. Abrahams

(57) **CLAIM**

The ornamental design for a solar light, as shown and described.

**DESCRIPTION**

FIG. 1 is a perspective view of a solar light showing my new design;

FIG. 2 is a front view of the solar light, the rear view being identical;

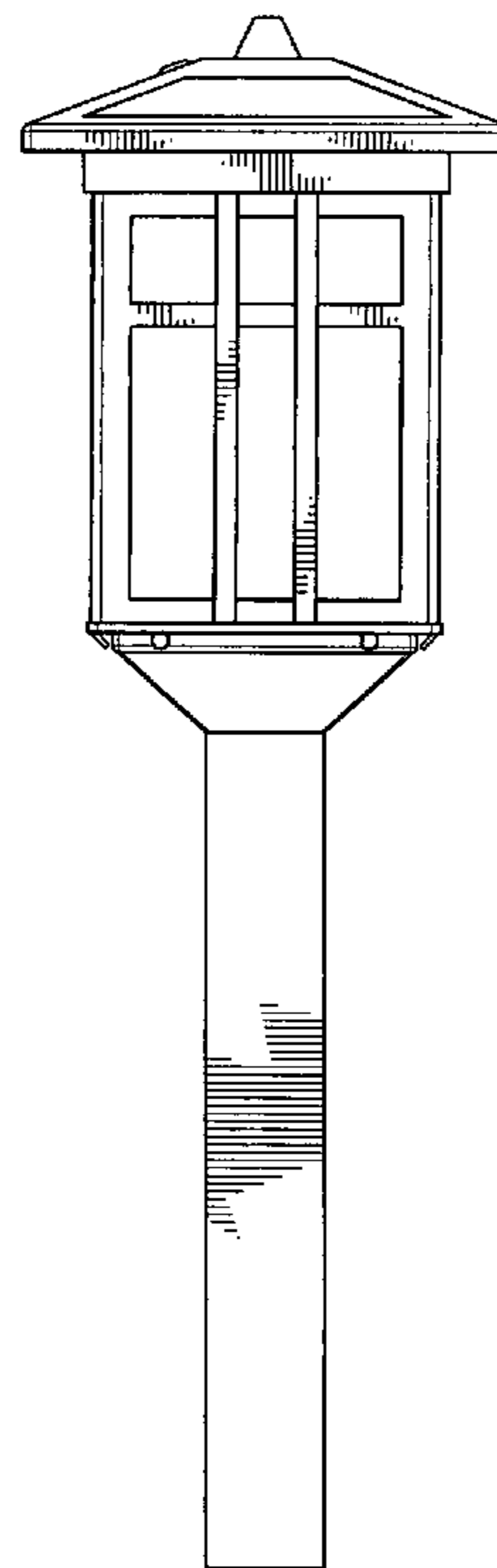
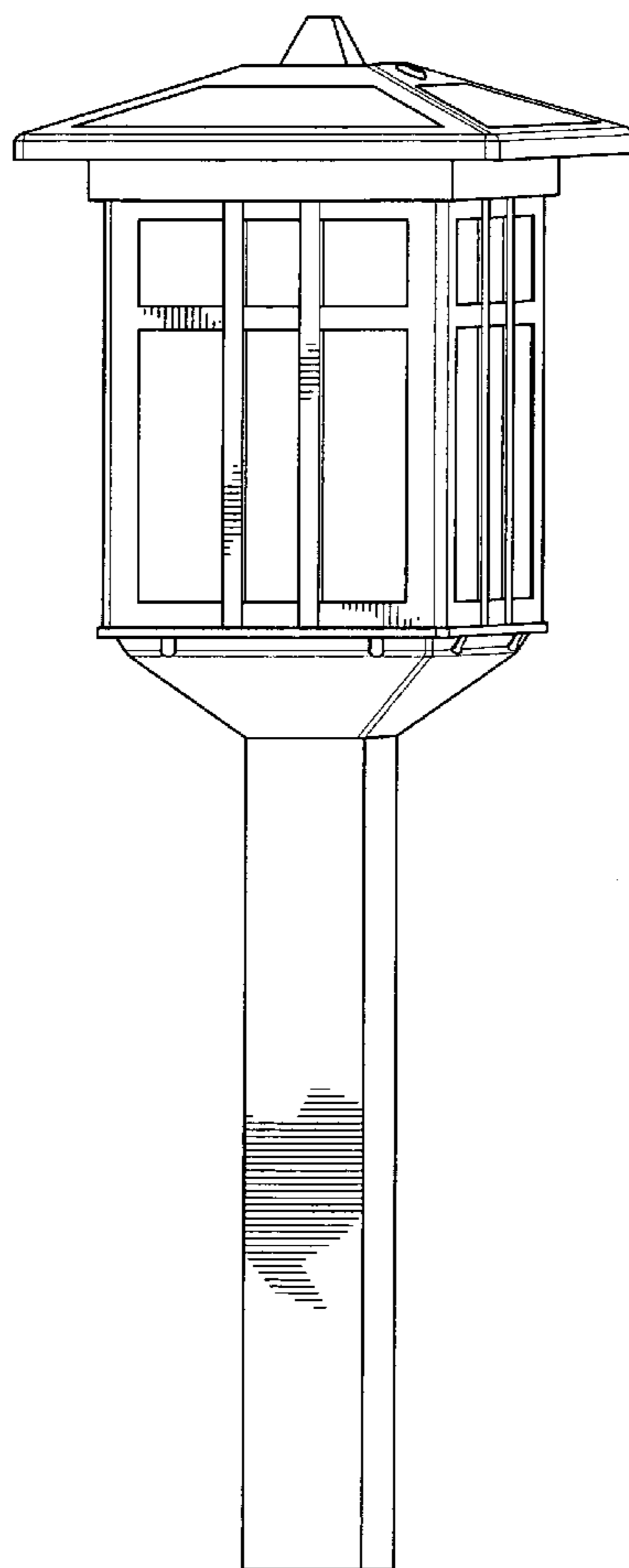
FIG. 3 is a right side view of the solar light, the left side being identical;

FIG. 4 is a top view of the solar light; and,

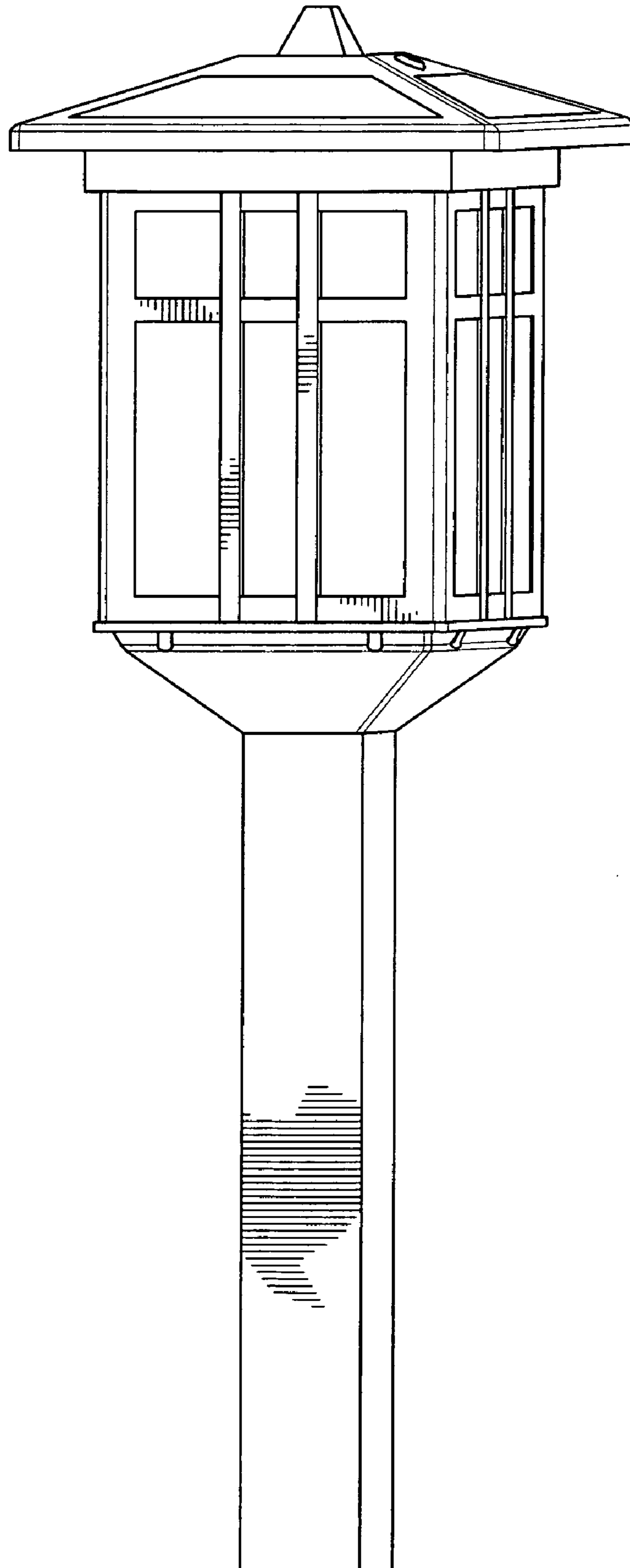
FIG. 5 is a bottom view of the solar light.

The broken lines shown in FIG. 5 depict portions of the solar light that form no part of the claimed design.

**1 Claim, 2 Drawing Sheets**



*FIG. 1*



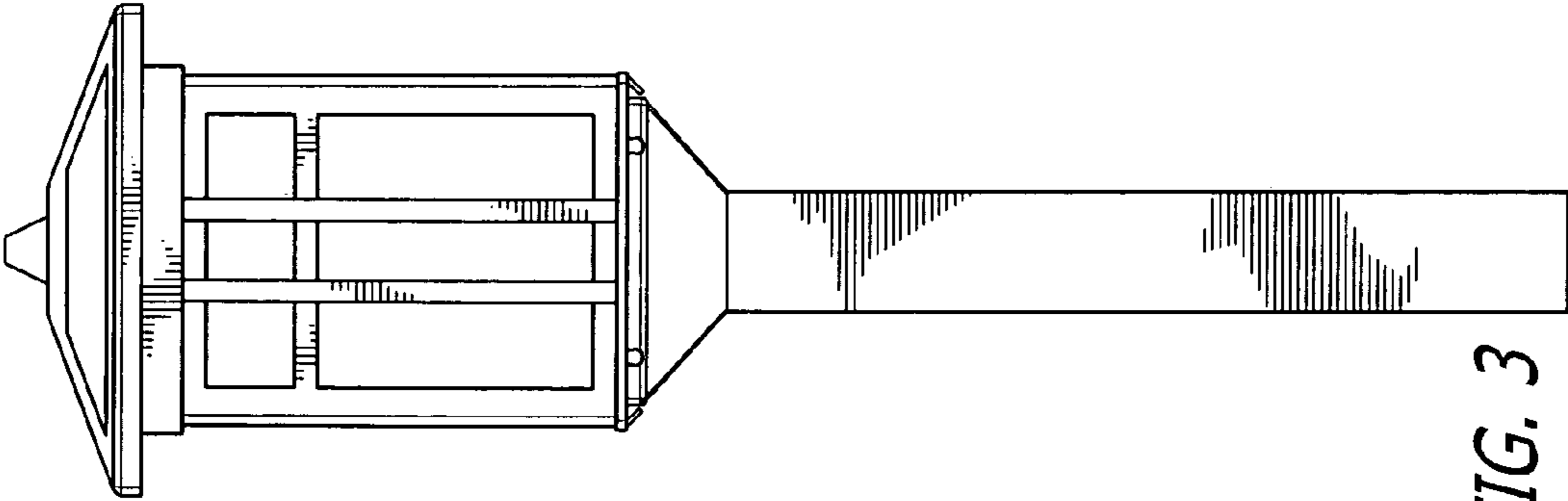


FIG. 3

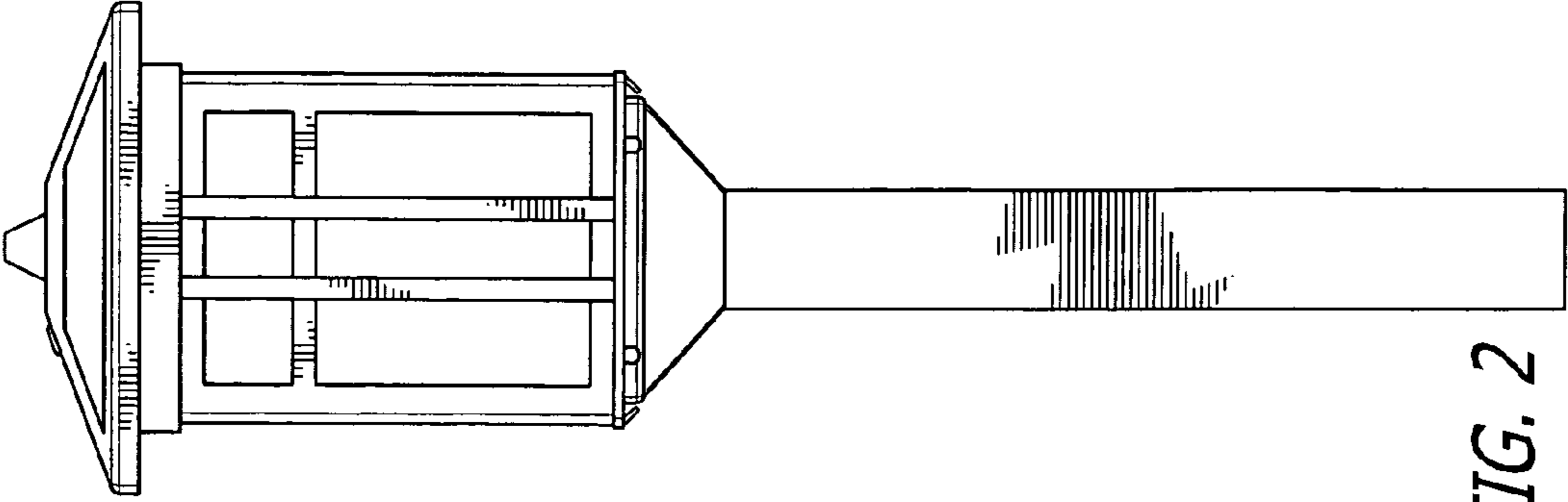


FIG. 2

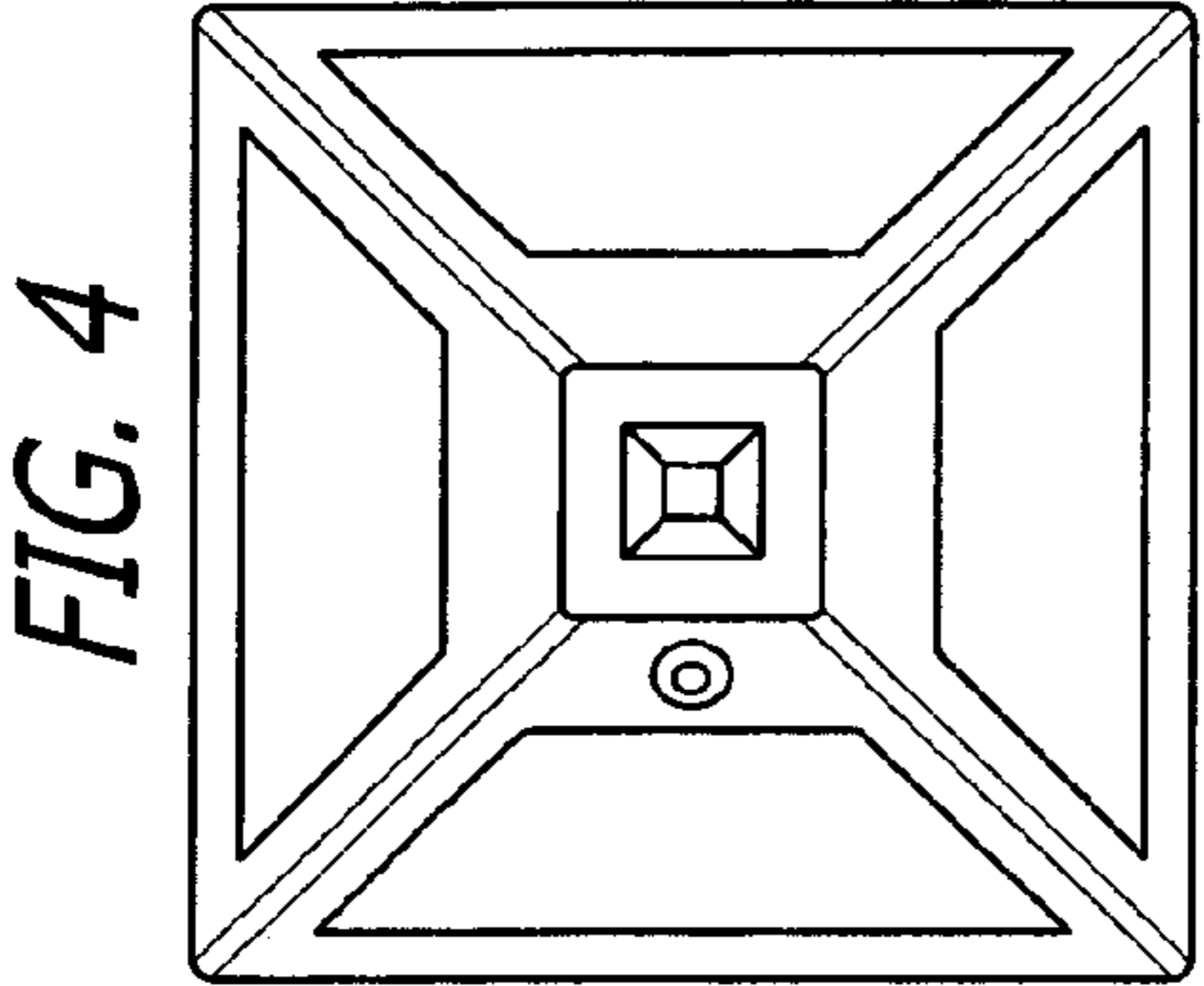


FIG. 4

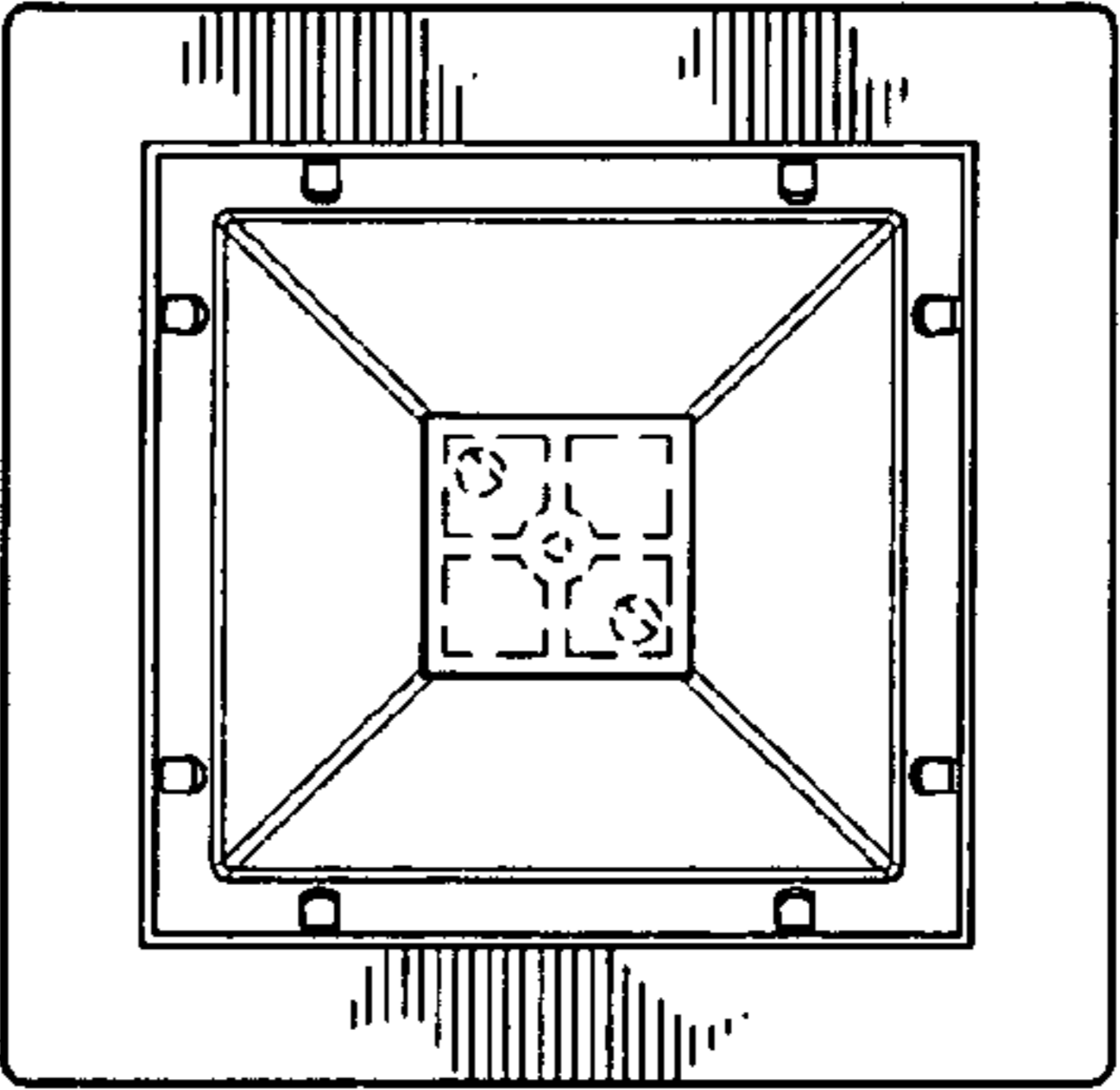


FIG. 5