



US00D637333S

(12) **United States Design Patent**  
**Chan**

(10) **Patent No.:** **US D637,333 S**  
(45) **Date of Patent:** **\*\* May 3, 2011**

(54) **ADJUSTABLE LAMP**

(75) Inventor: **Sik Leung Chan**, Tsuen Wan (HK)

(73) Assignee: **C.C. L & Company Limited**, Tsuen Wan, N.T. (HK)

(\*\*) Term: **14 Years**

(21) Appl. No.: **29/370,976**

(22) Filed: **Sep. 28, 2010**

(30) **Foreign Application Priority Data**

Mar. 29, 2010 (HK) ..... 1000563

(51) **LOC (9) Cl.** ..... **26-05**

(52) **U.S. Cl.** ..... **D26/65**

(58) **Field of Classification Search** ..... D26/61-66,  
D26/106-109, 217.01, 217.02, 220, 223,  
D26/269, 270, 274, 277, 280, 282, 285, 287,  
D26/288, 311.02, 410, 413, 418, 427, 401,  
D26/800

See application file for complete search history.

(56) **References Cited**

U.S. PATENT DOCUMENTS

D351,678 S \* 10/1994 Chen ..... D26/65  
D356,390 S \* 3/1995 Gismondi et al. .... D26/107  
D360,277 S \* 7/1995 Roberts, III ..... D26/107  
D382,076 S \* 8/1997 Chan ..... D26/65  
D523,164 S \* 6/2006 Ng ..... D26/65

\* cited by examiner

*Primary Examiner* — Susan M Lee

*Assistant Examiner* — Linda Brooks

(74) *Attorney, Agent, or Firm* — Daniel P. Burke & Associates, PLLC

(57) **CLAIM**

The ornamental design for an adjustable lamp, as shown and described.

**DESCRIPTION**

FIG. 1 is a front elevation of an adjustable lamp in a closed configuration.

FIG. 2 is a right side elevation of the adjustable lamp in the configuration shown in FIG. 1.

FIG. 3 is a left side elevation of the adjustable lamp in the configuration shown in FIG. 1.

FIG. 4 is a rear elevation view of the adjustable lamp in the configuration shown in FIG. 1;

FIG. 5 is a top plan view of the adjustable lamp in the configuration in FIG. 1;

FIG. 6 is a bottom plan view of the adjustable lamp in the configuration shown in FIG. 1.

FIG. 7 is a front perspective view of the adjustable lamp in the configuration shown in FIG. 1.

FIG. 8 is a rear perspective view of the adjustable lamp in the configuration shown in FIG. 1.

FIG. 9 is a right side elevation view of the adjustable lamp in a first open configuration.

FIG. 10 is a front elevation view of the adjustable lamp in the configuration shown in FIG. 9.

FIG. 11 is an upper, rear perspective view of the adjustable lamp in the configuration shown in FIG. 9.

FIG. 12 is a front perspective view of the adjustable lamp in a second extended configuration.

FIG. 13 is an upper, rear perspective view of the adjustable lamp in the configuration shown in FIG. 12.

FIG. 14 is a lower rear perspective of the adjustable lamp in the configuration shown in FIG. 12.

FIG. 15 is a perspective view of the adjustable lamp in a third extended configuration.

FIG. 16 is a cross-sectional view of the proximal, movable support arm taken along line 16—16 of FIG. 15. The body of the distal, movable support arm has the same cross-sectional shape.

FIG. 17 is a rear perspective view of the adjustable lamp in the configuration shown in FIG. 15.

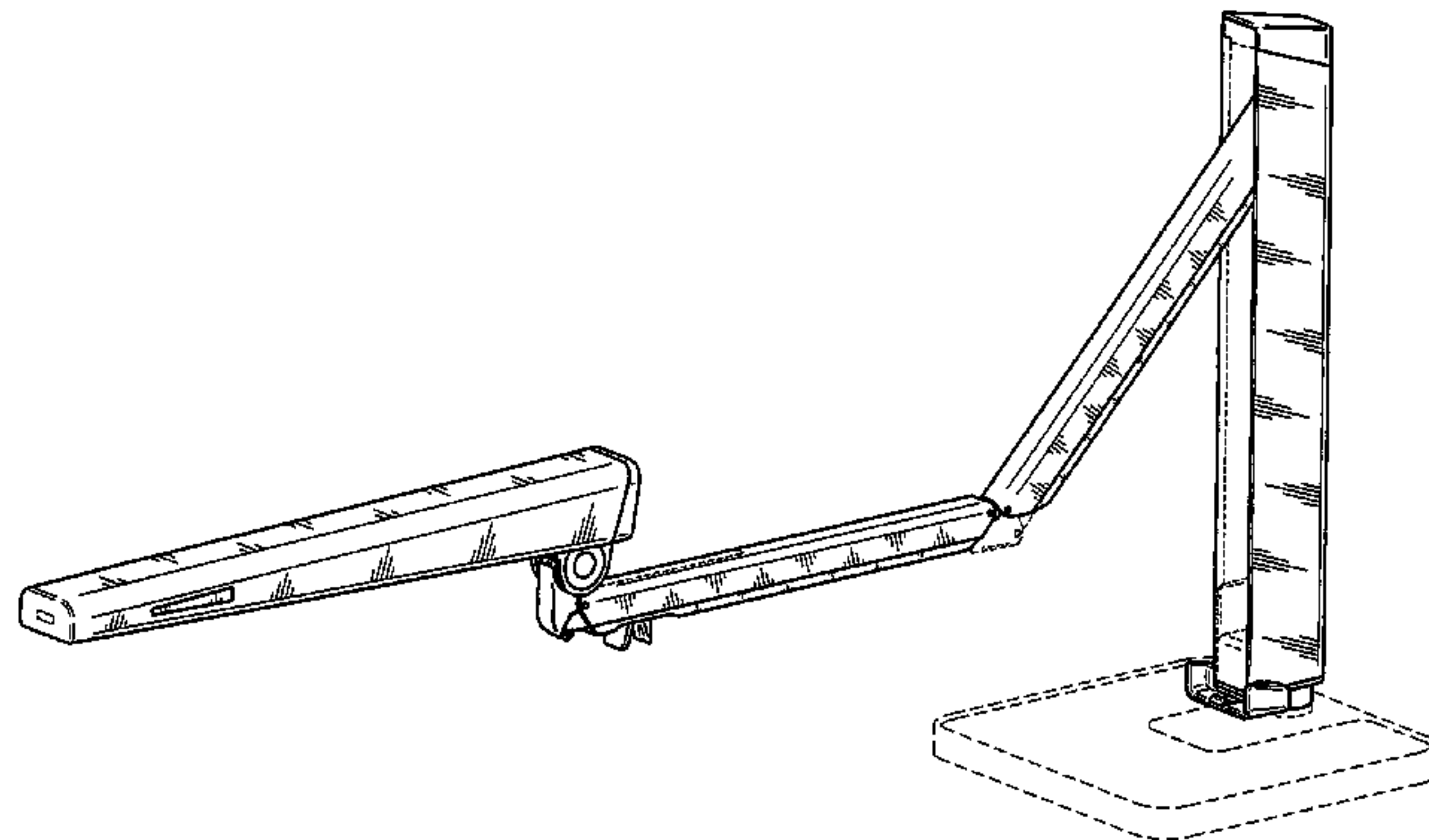
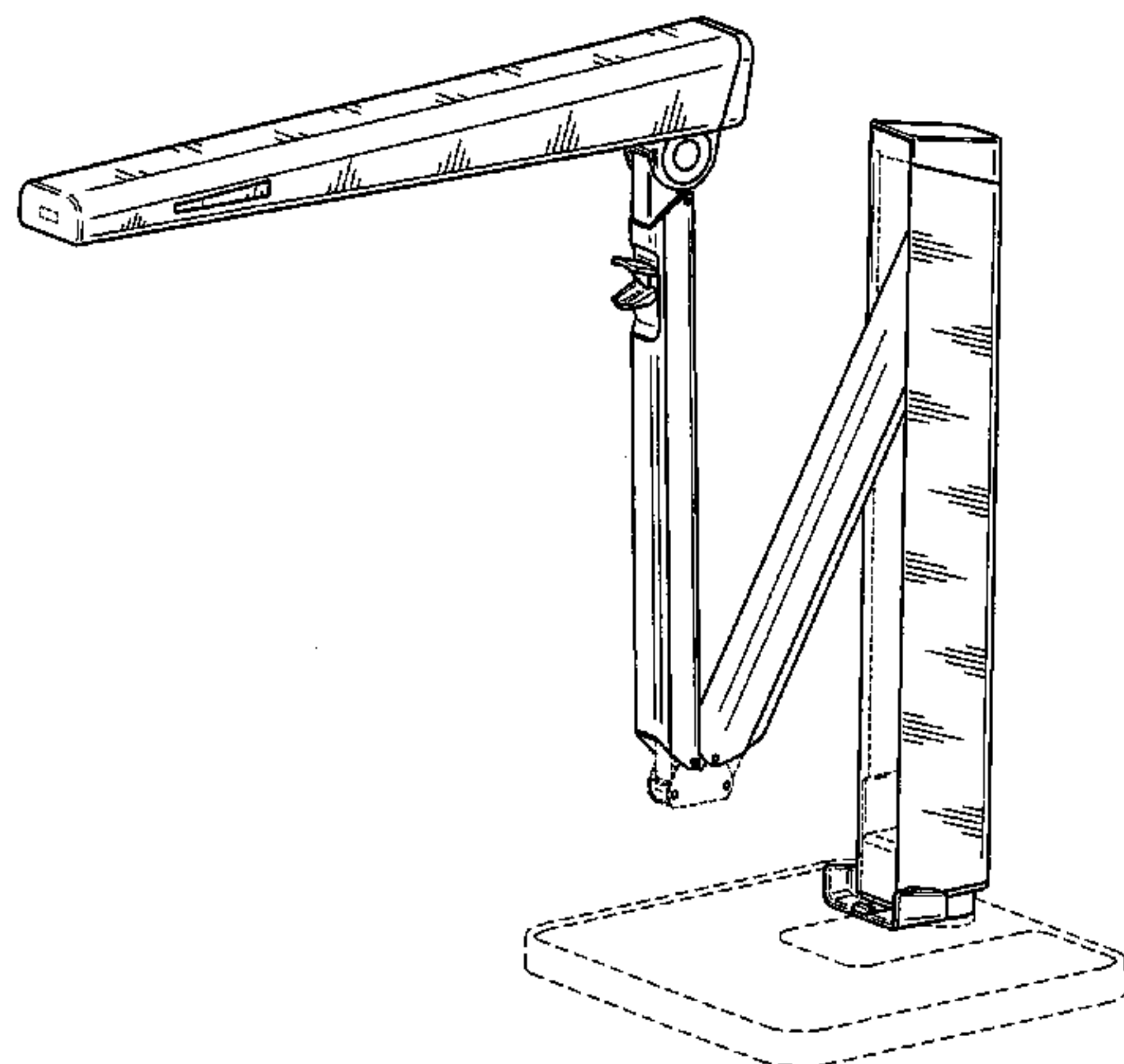
FIG. 18 is a lower rear perspective view of the adjustable lamp in the configuration shown in FIG. 15.

FIG. 19 is a perspective view of the adjustable lamp shown in a fourth extended configuration; and,

FIG. 20 is a perspective view of the lamp shown in a fifth extended configuration.

The broken lines form no part of the claimed design.

The broken lines showing a base show no part of the claimed design.



The broken lines showing a connector between two movable support arms, such as shown in FIG. **8**, form no part of the claimed design.

The broken lines showing various regions on the upper, forward surface of FIG. **9** and on the rear surface of the distal support arm in FIG. **10** form no part of the claimed design.

The broken lines showing the interior of the larger support which is shown in the vertical position in FIG. **11** form no part of the claimed design.

The broken lines in the interior of the distal section of the housing and the fasteners at the bottom of the larger support, all shown in FIG. **15**, form no part of the claimed design.

The materials within the edge lines of the cross-sectional view of FIG. **16** form no part of the claimed design.

**1 Claim, 20 Drawing Sheets**

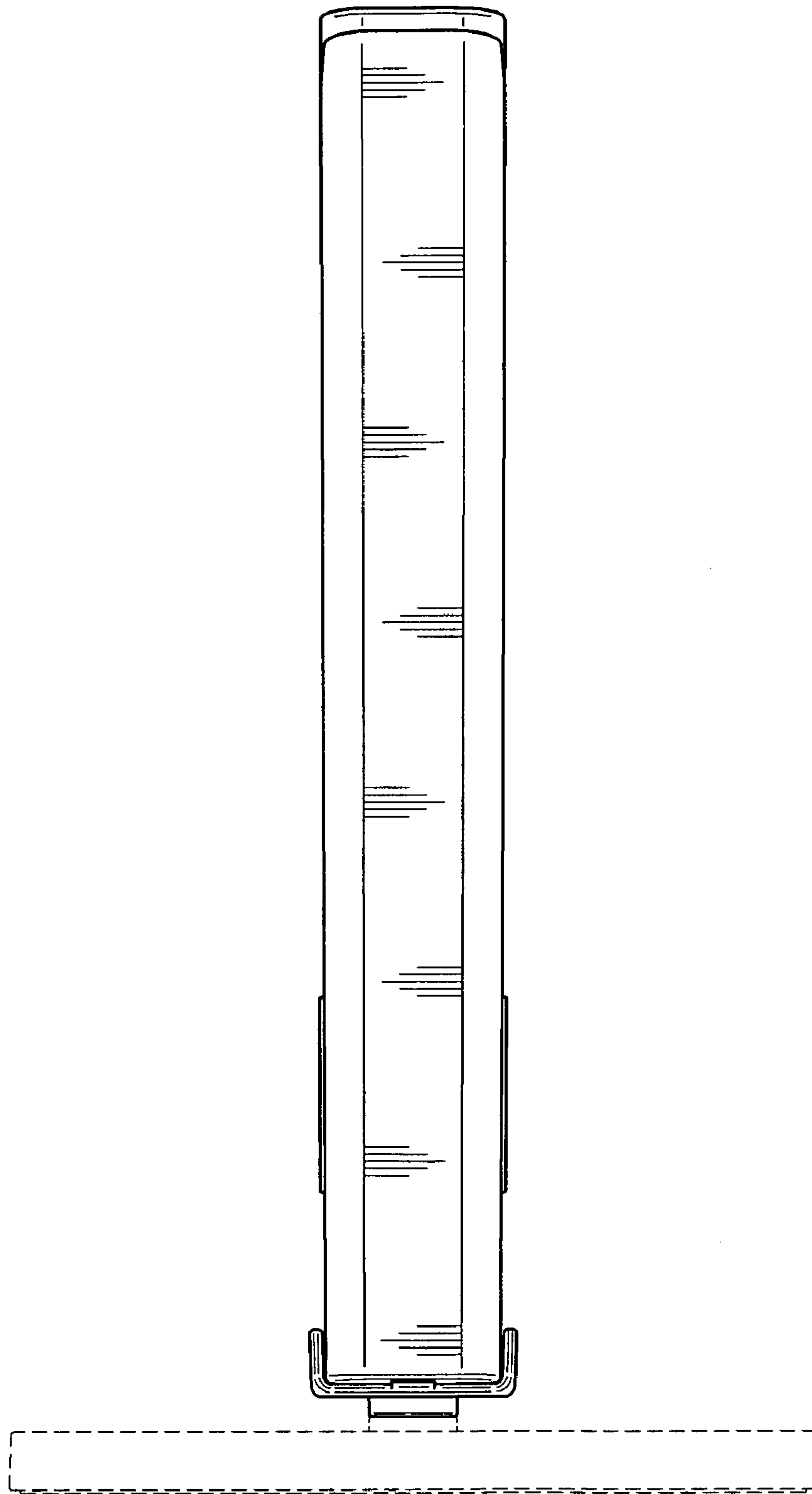


Figure 1

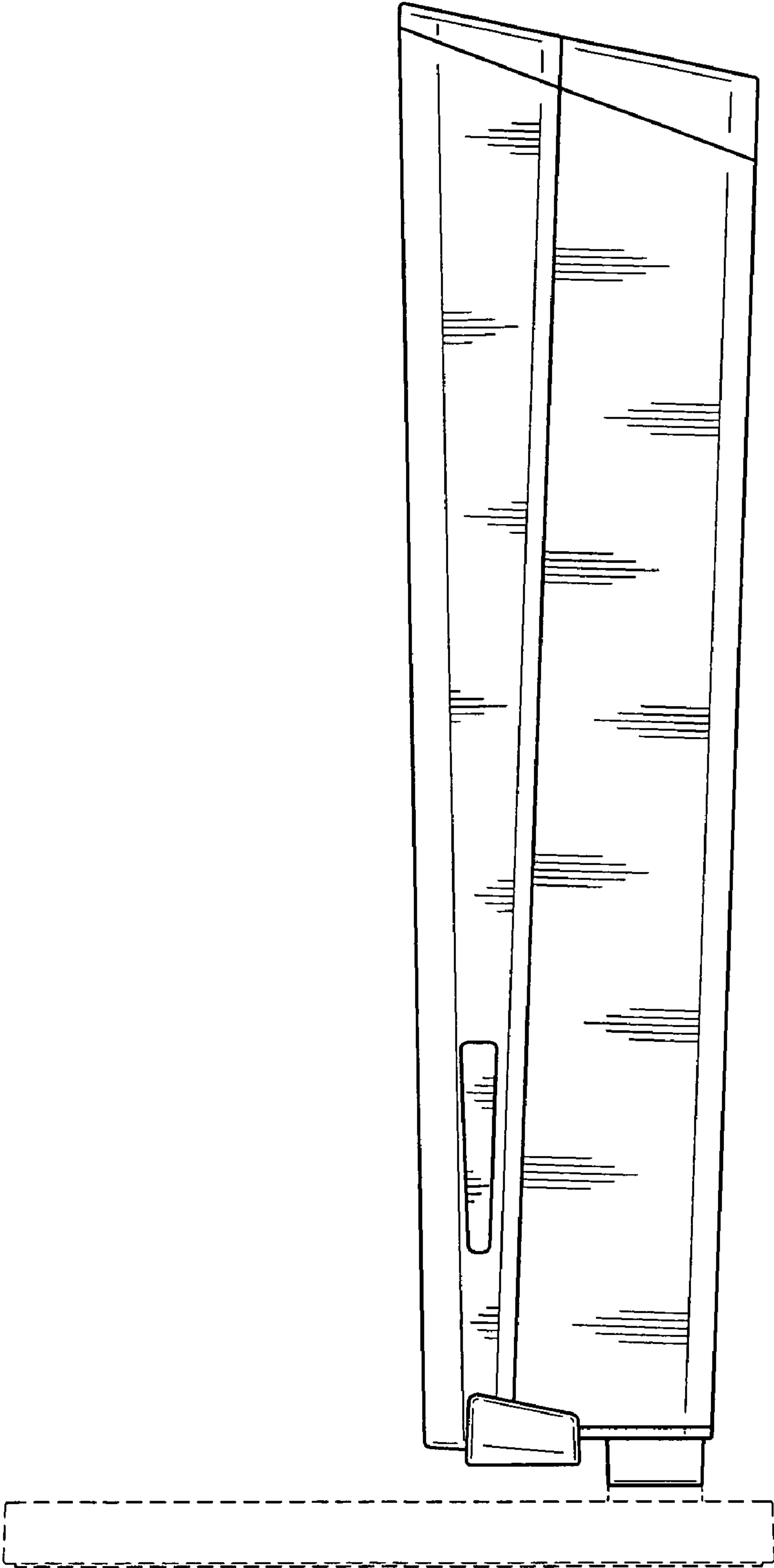


Figure 2

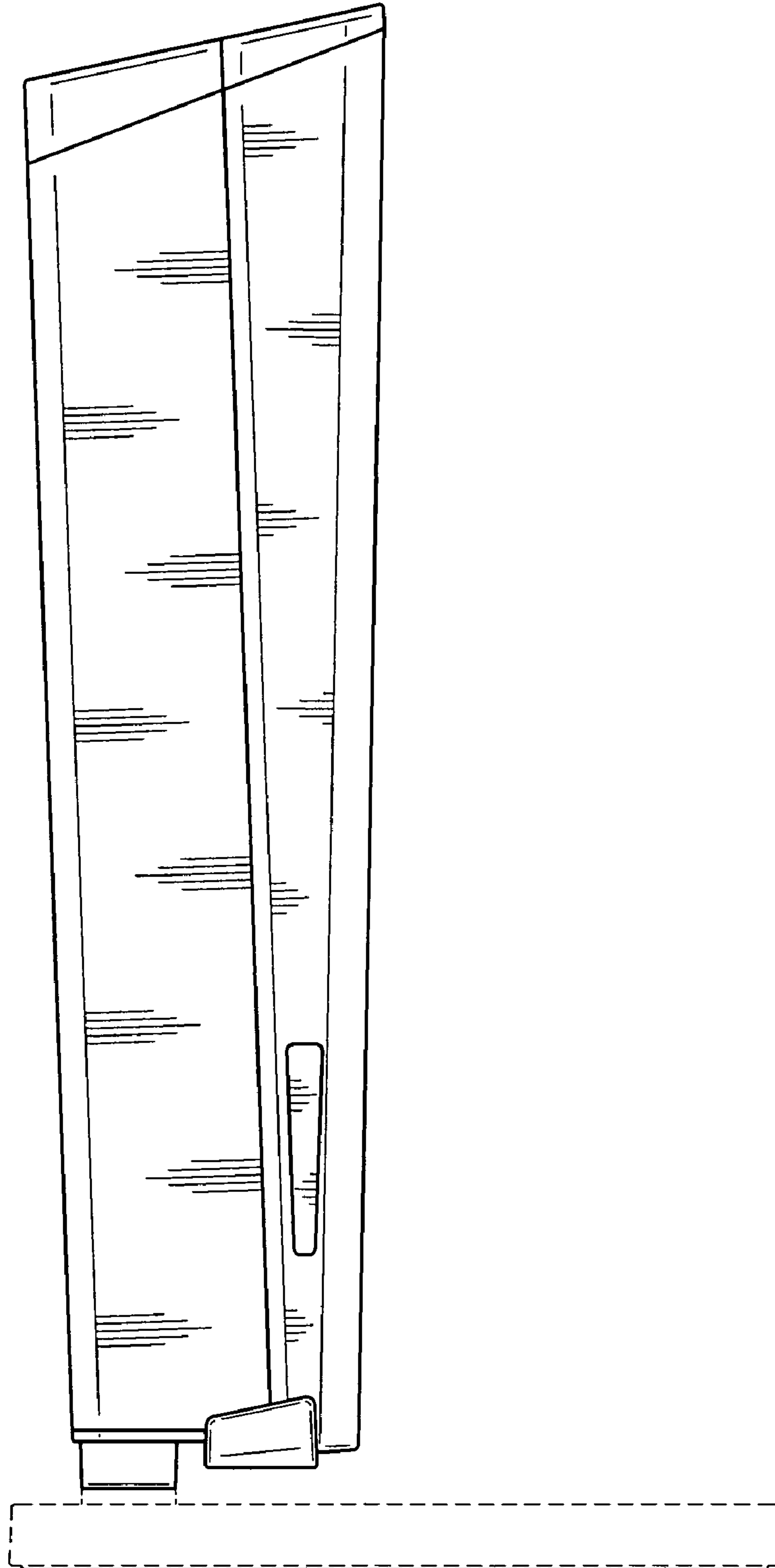


Figure 3

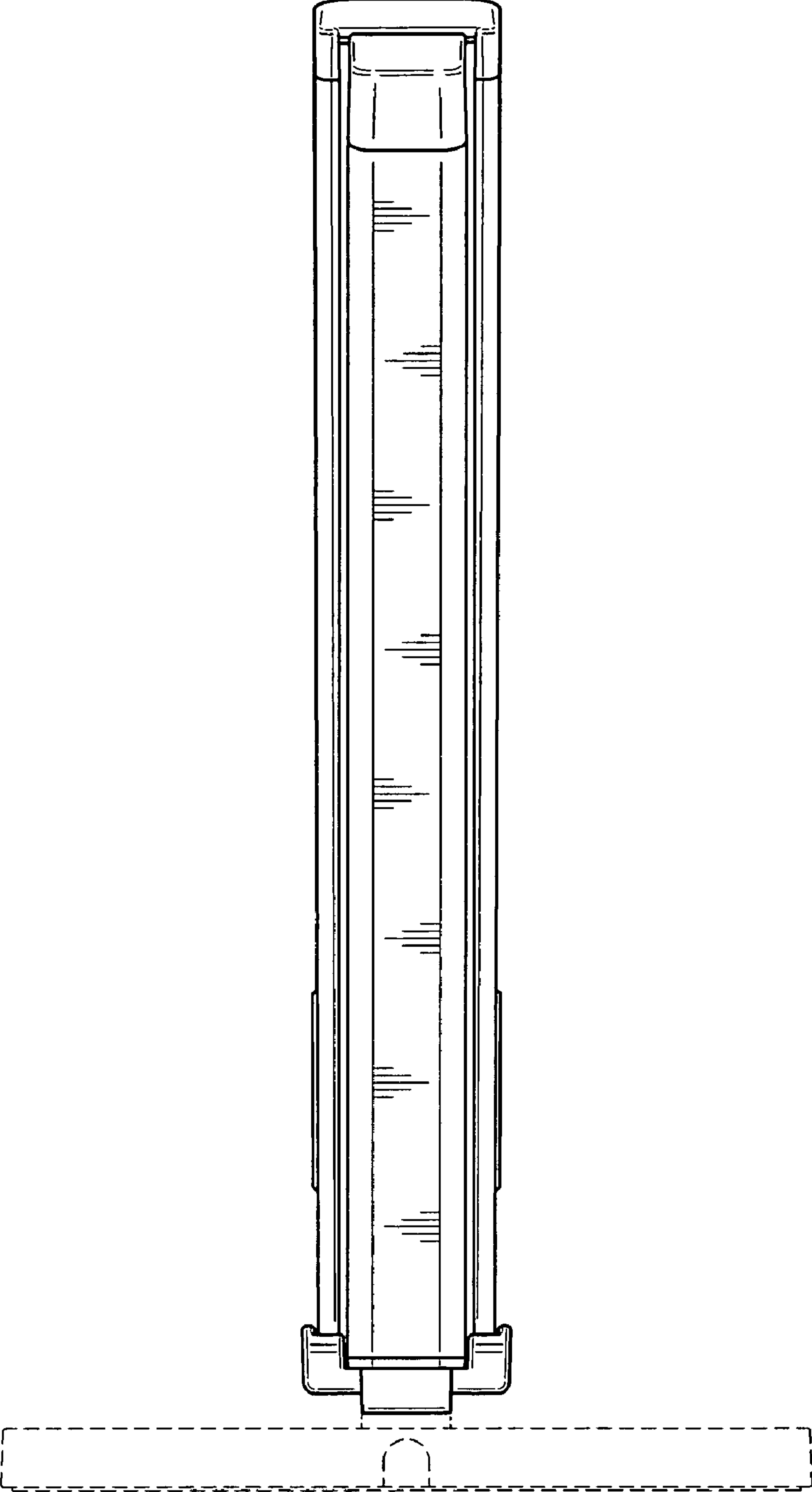


Figure 4

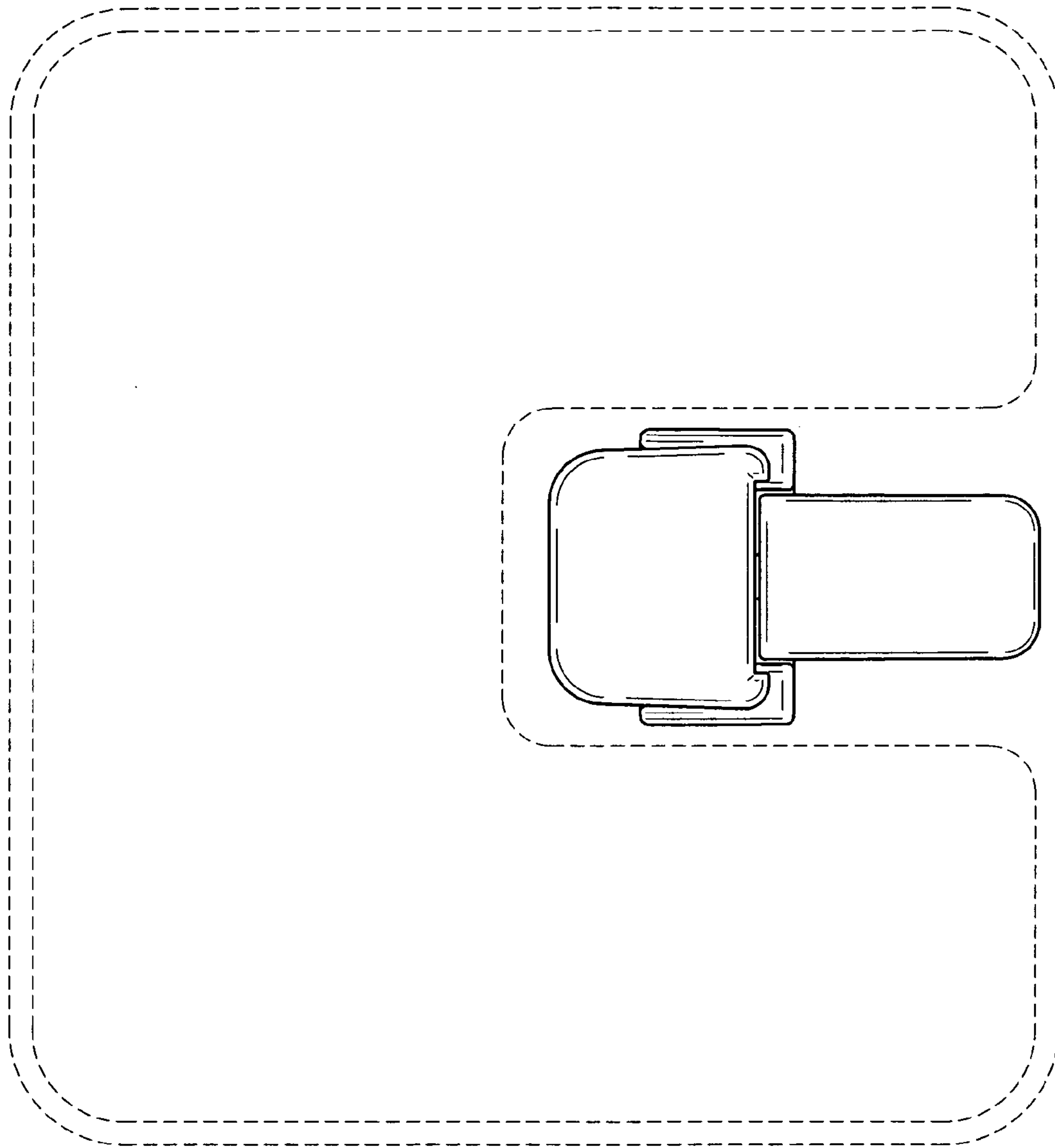


Figure 5

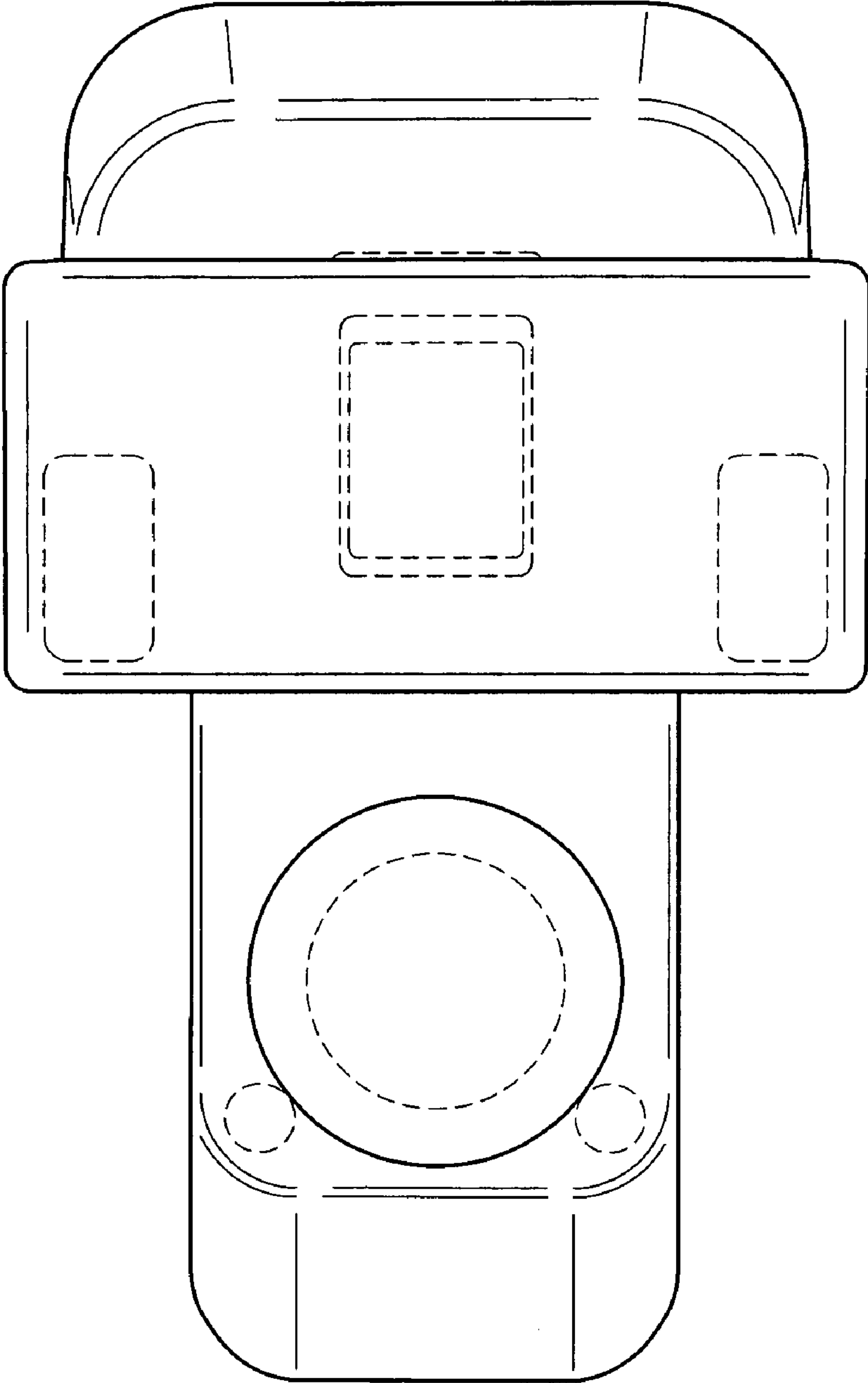


Figure 6



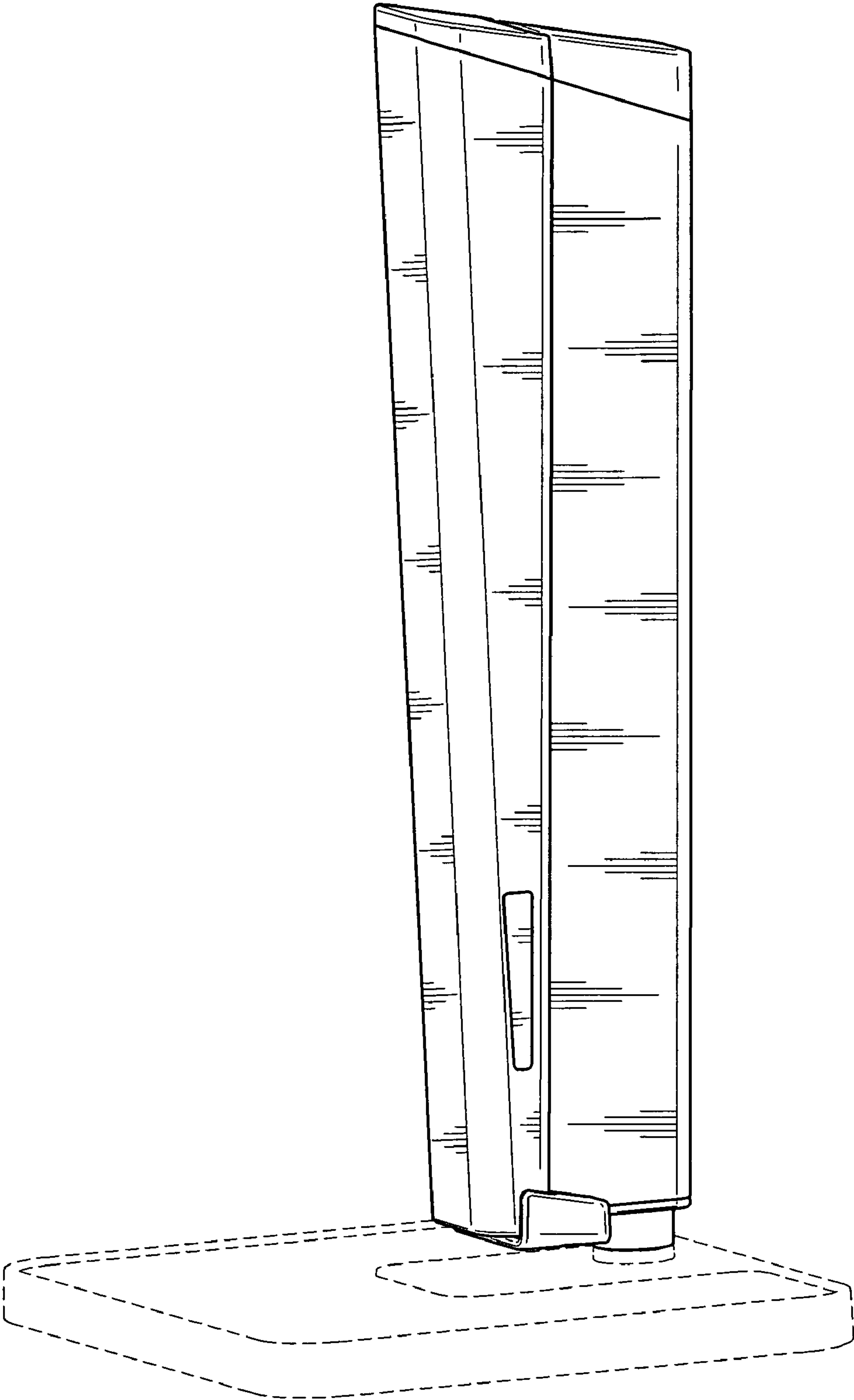


Figure 7

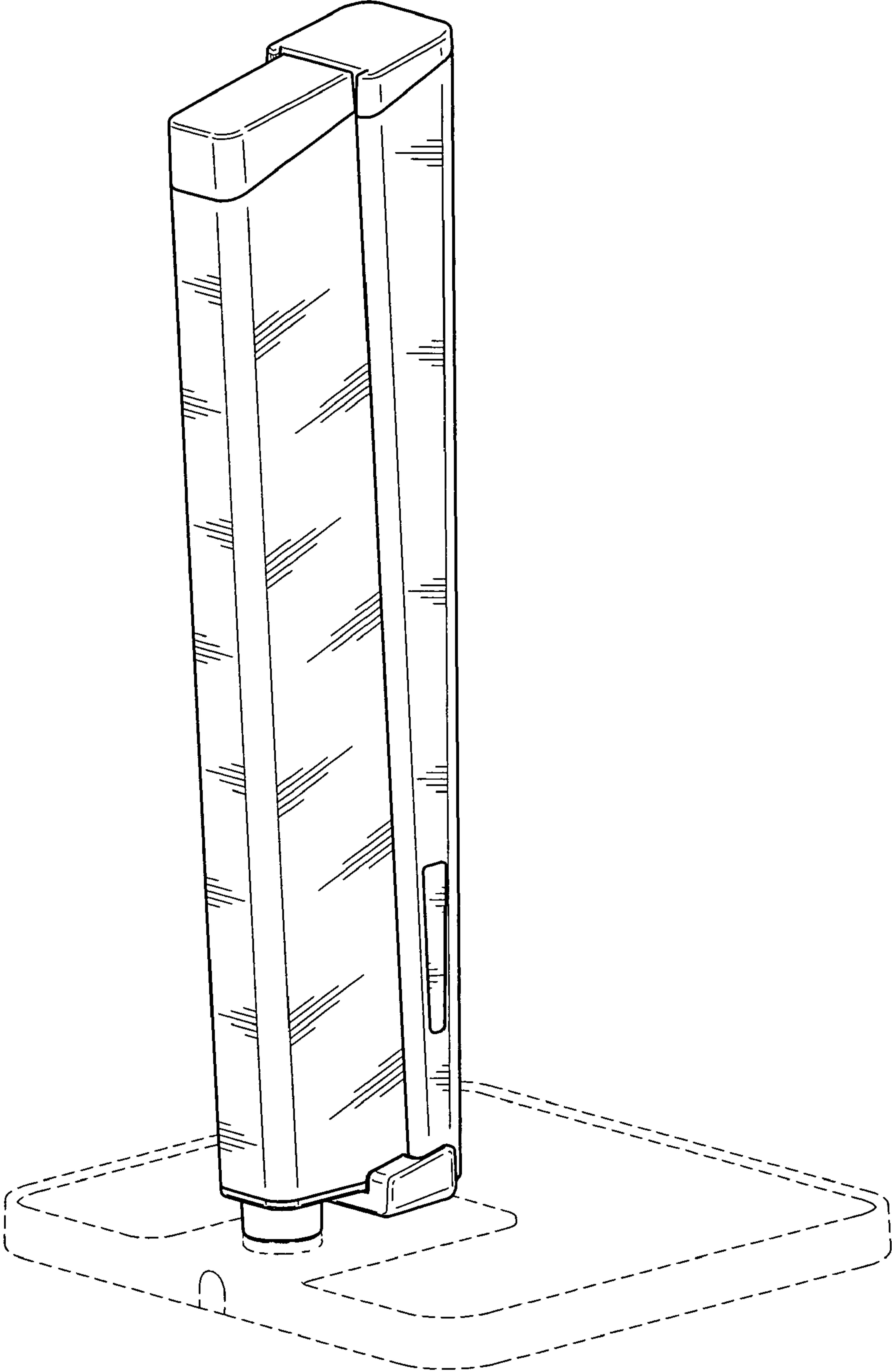


Figure 8

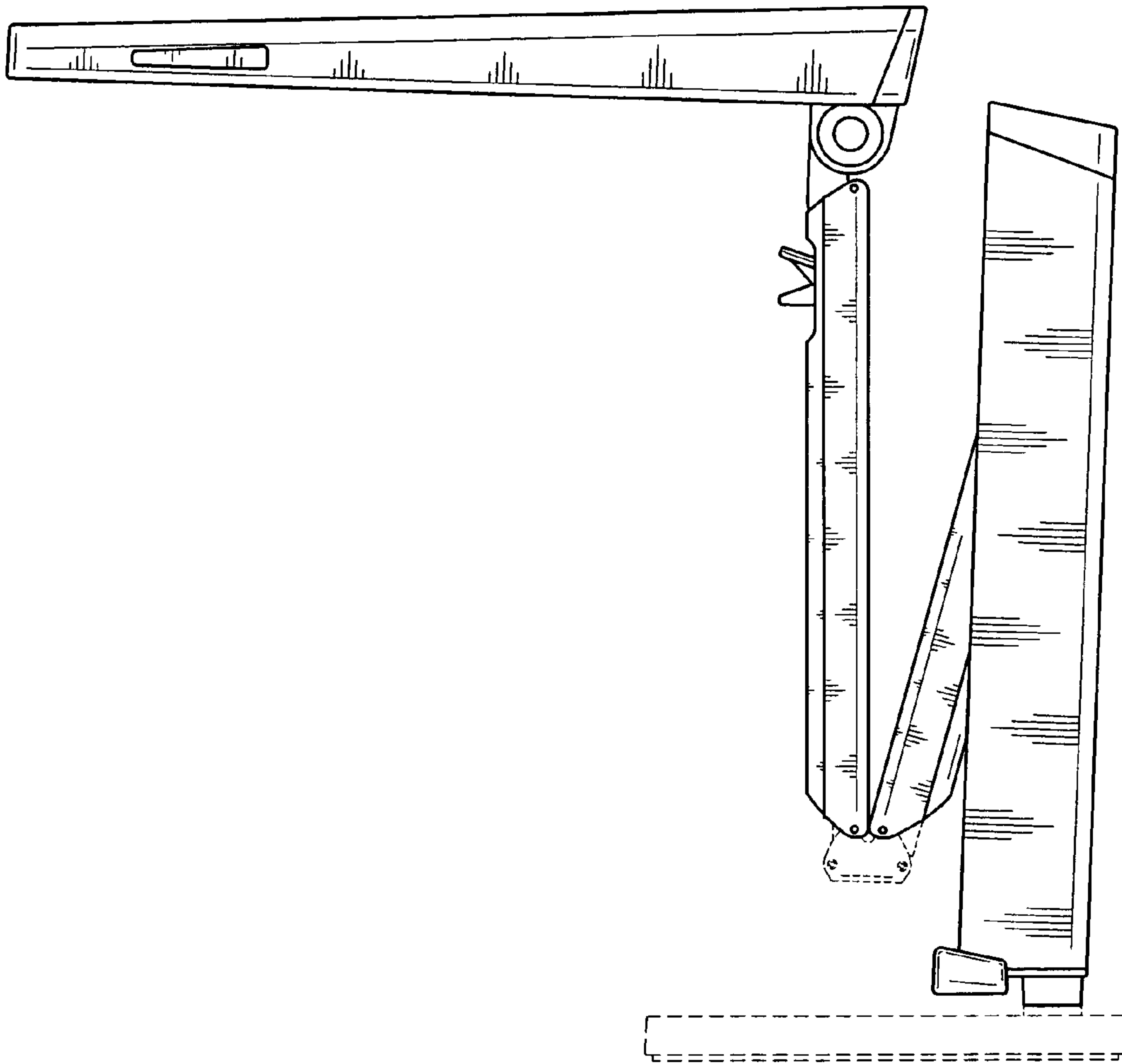


Figure 9

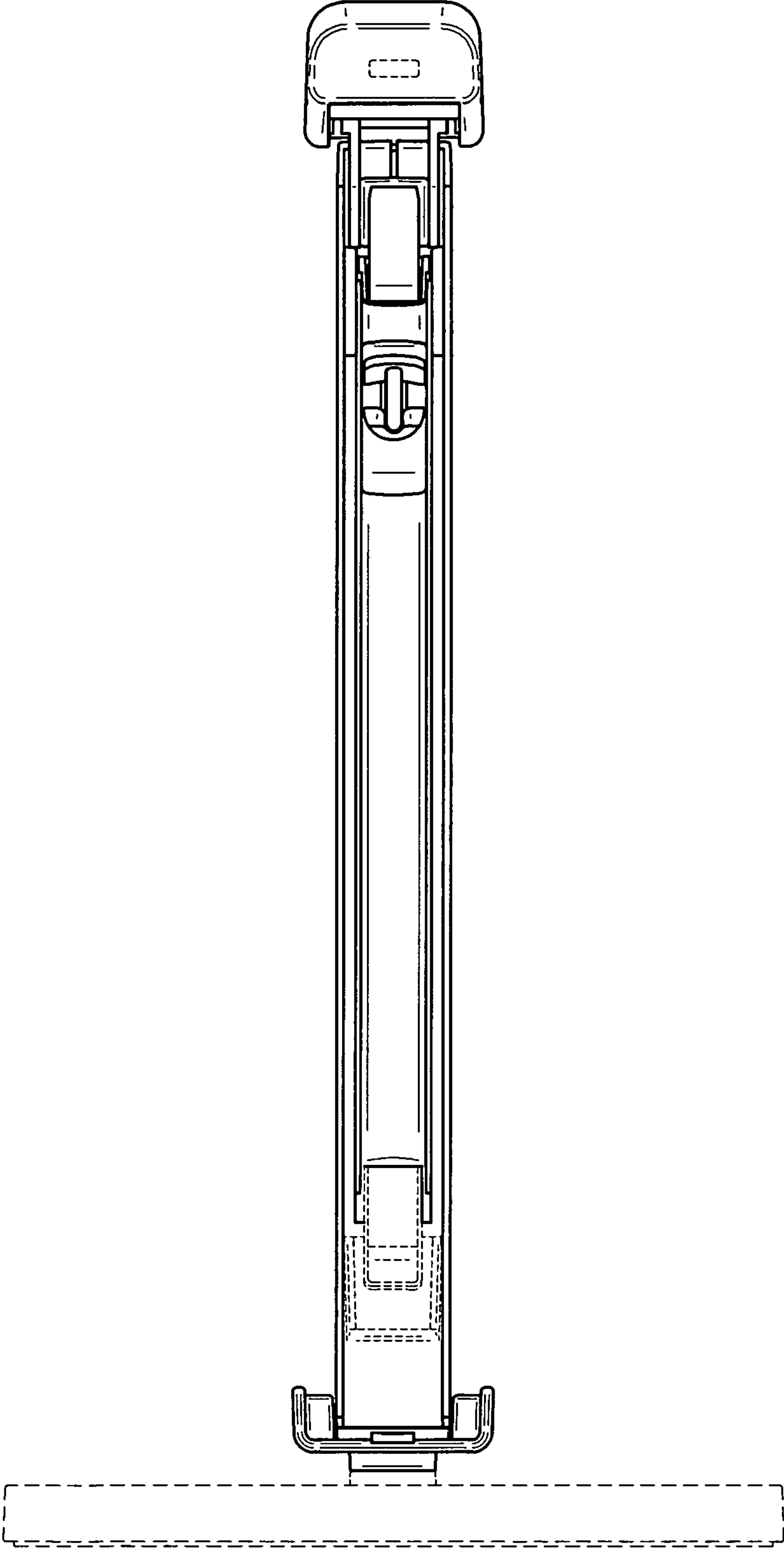


Figure 10

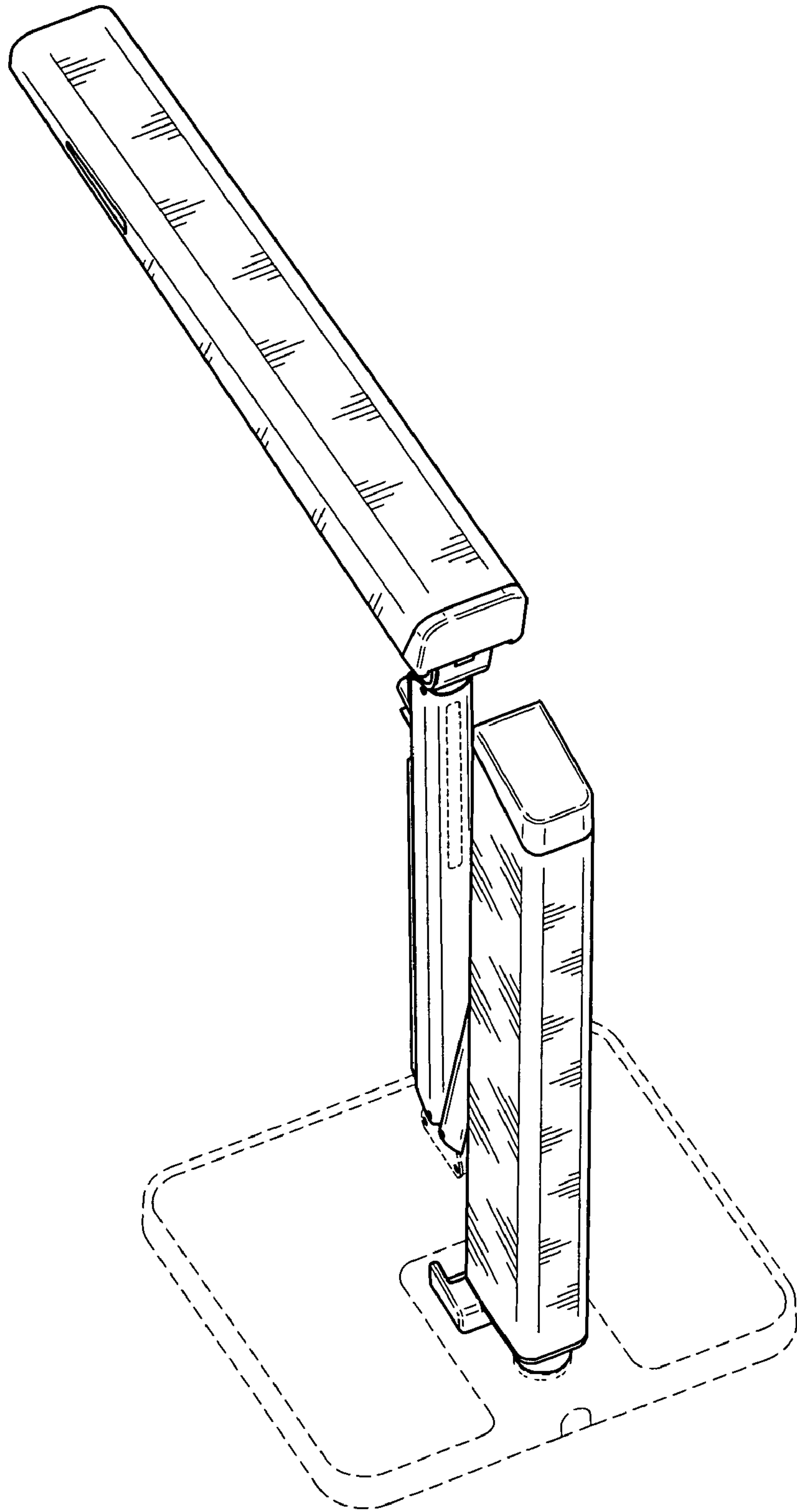


Figure 11

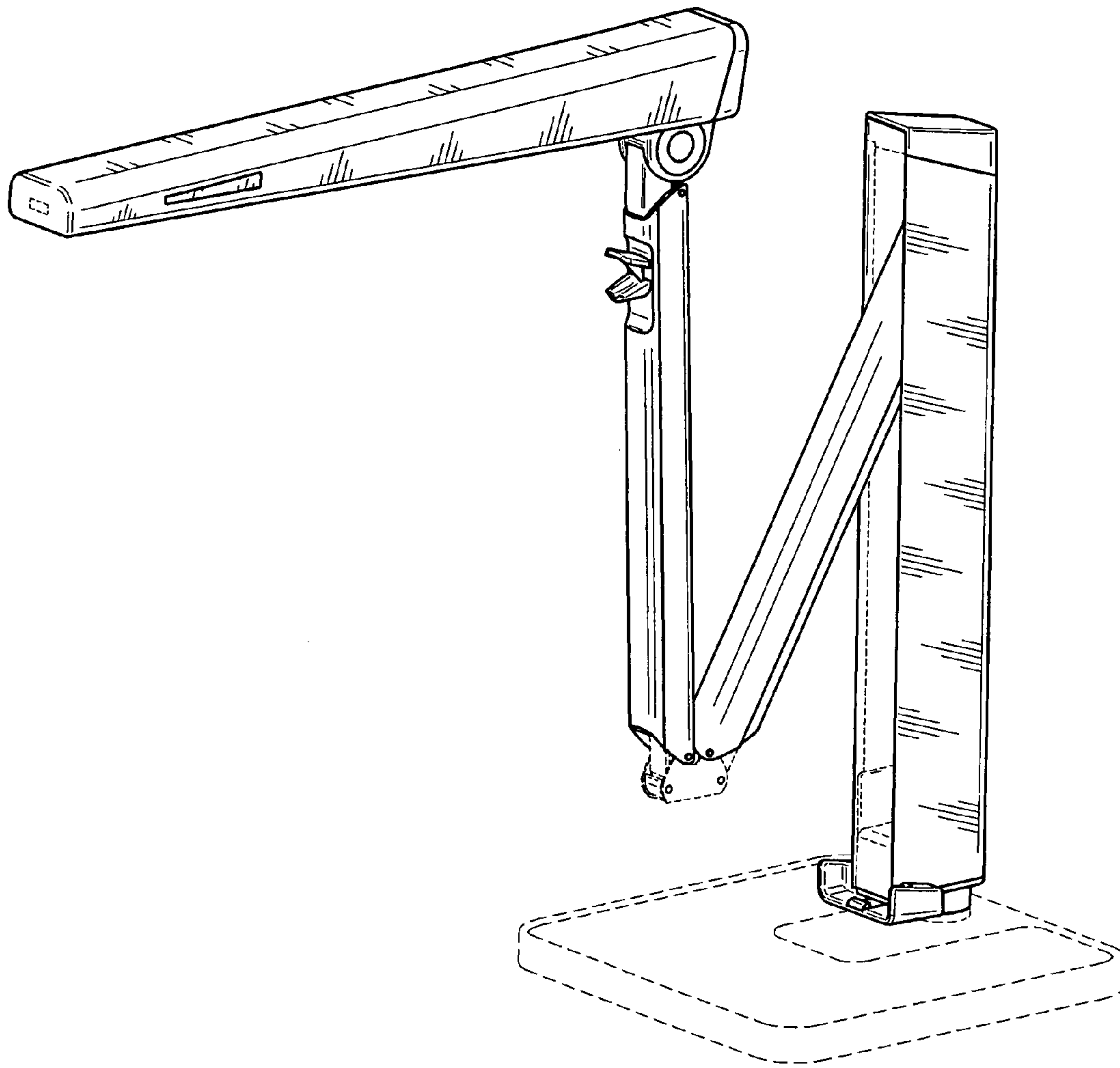


Figure 12

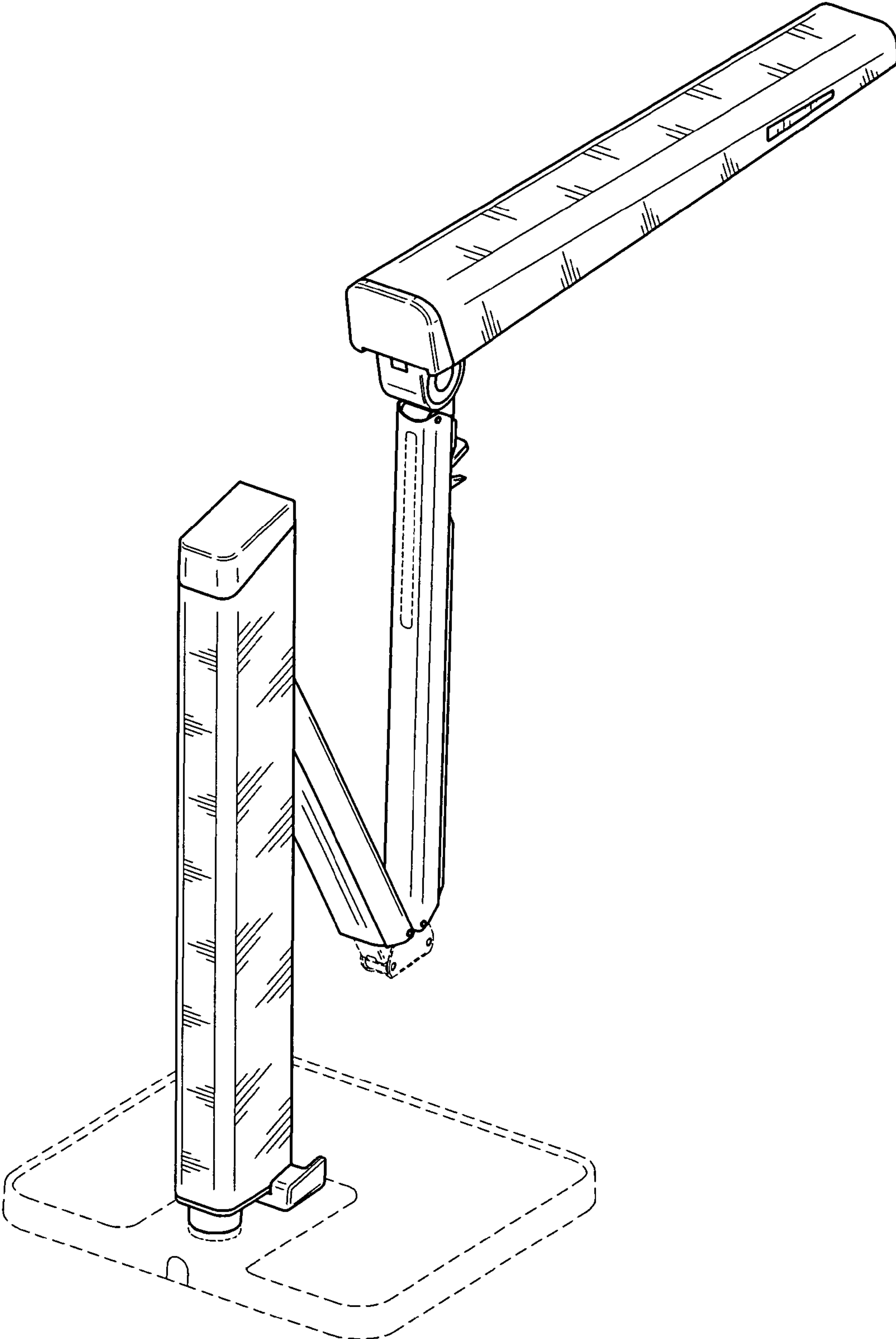


Figure 13

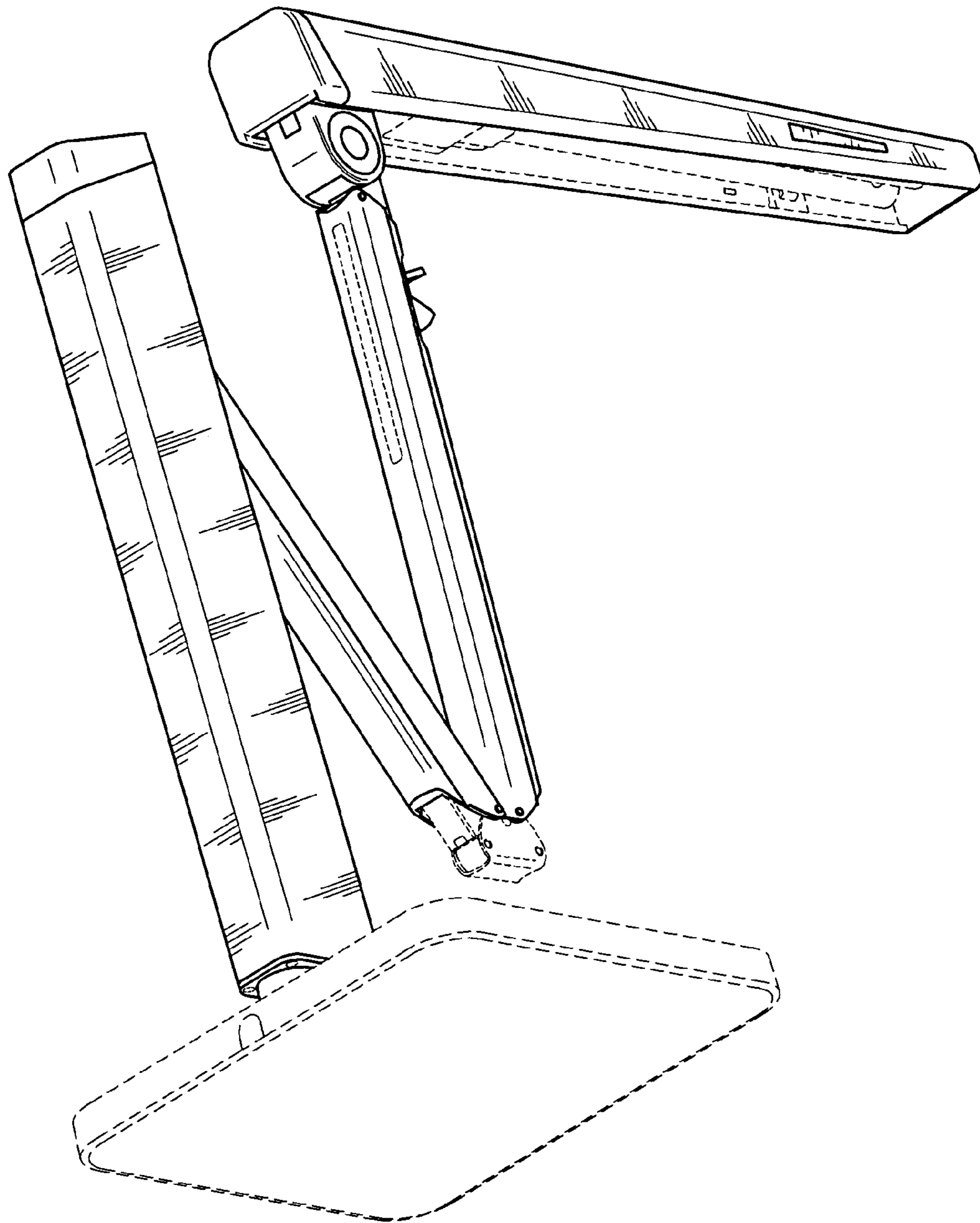


Figure 14



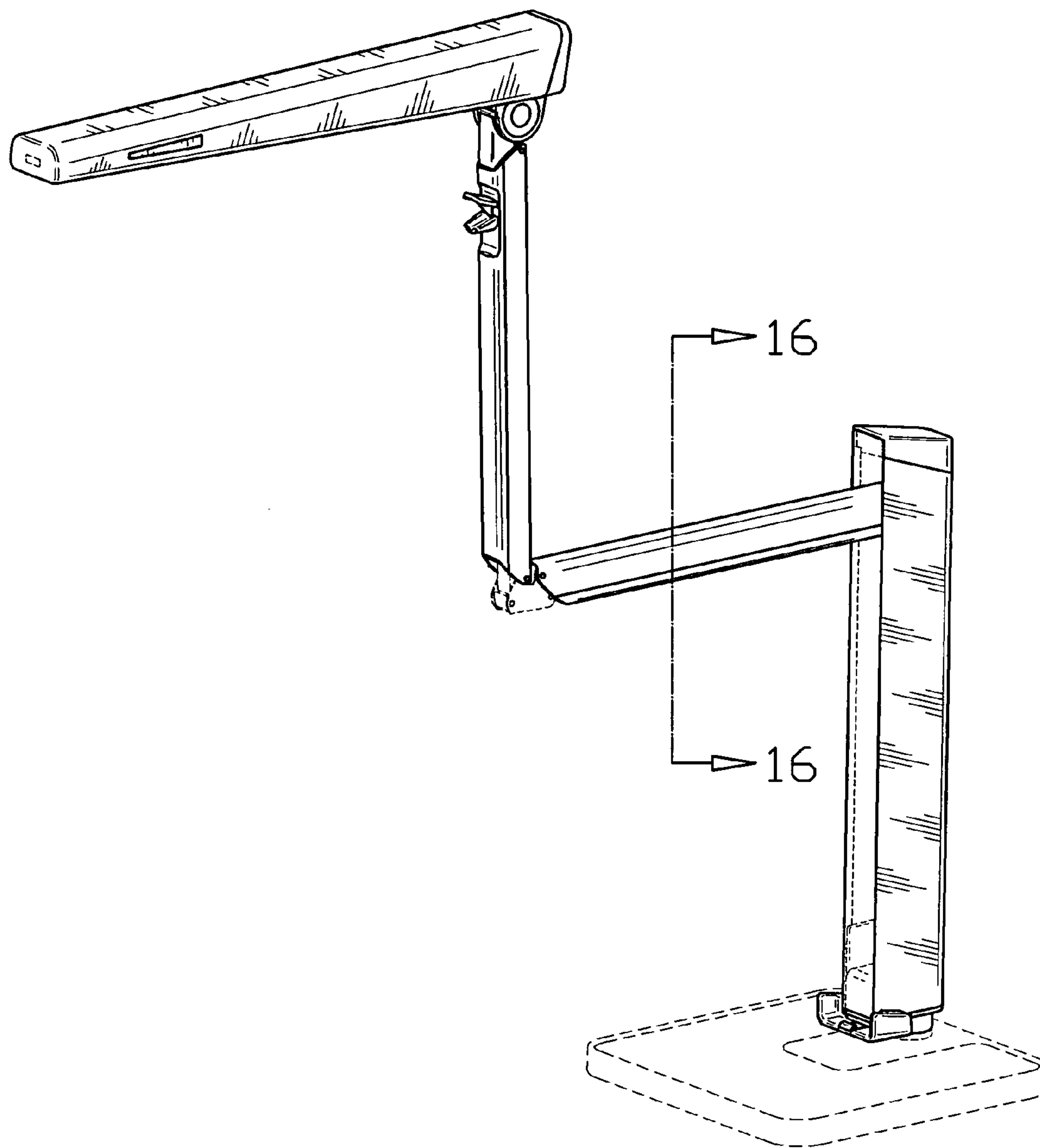


Figure 15

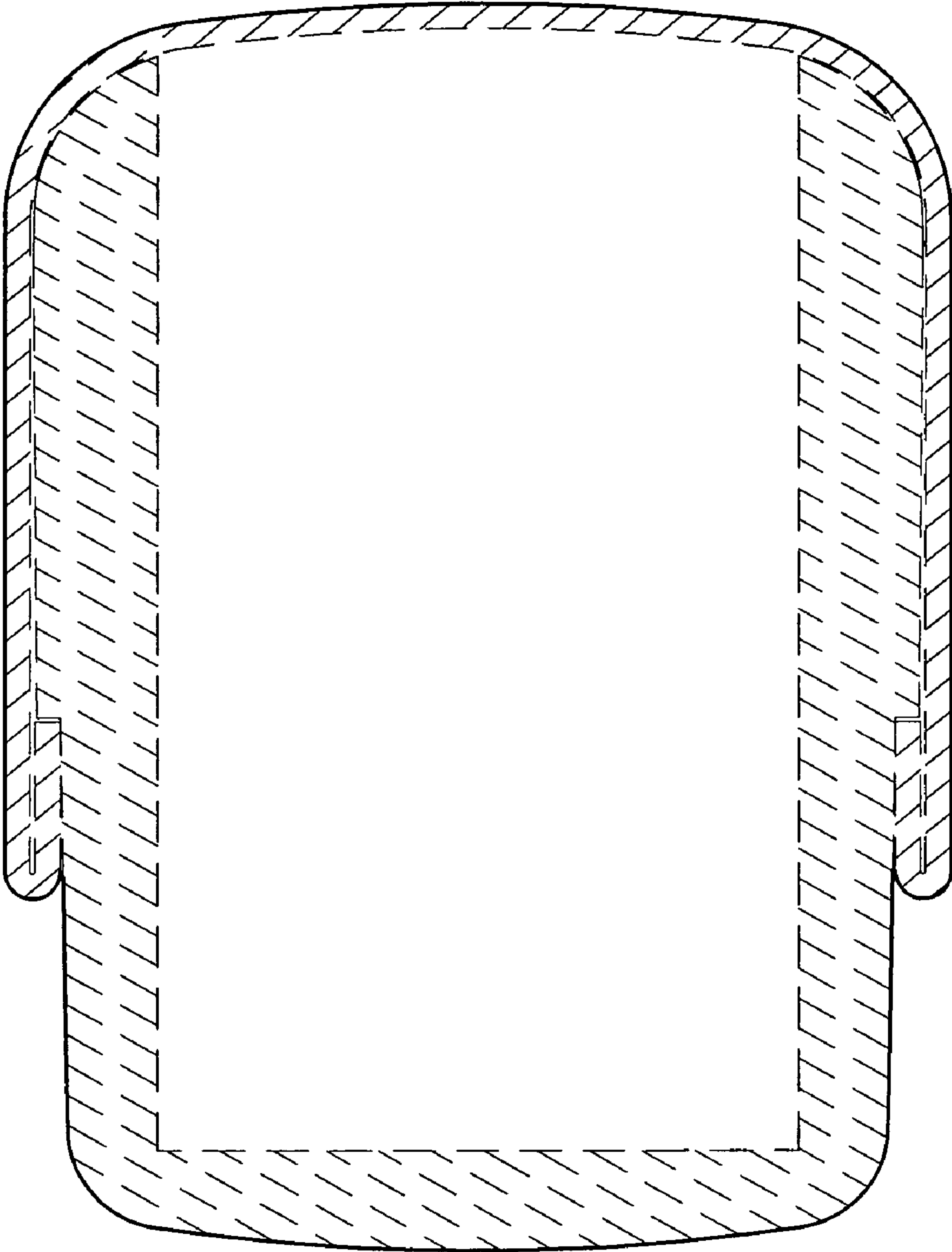


Figure 16

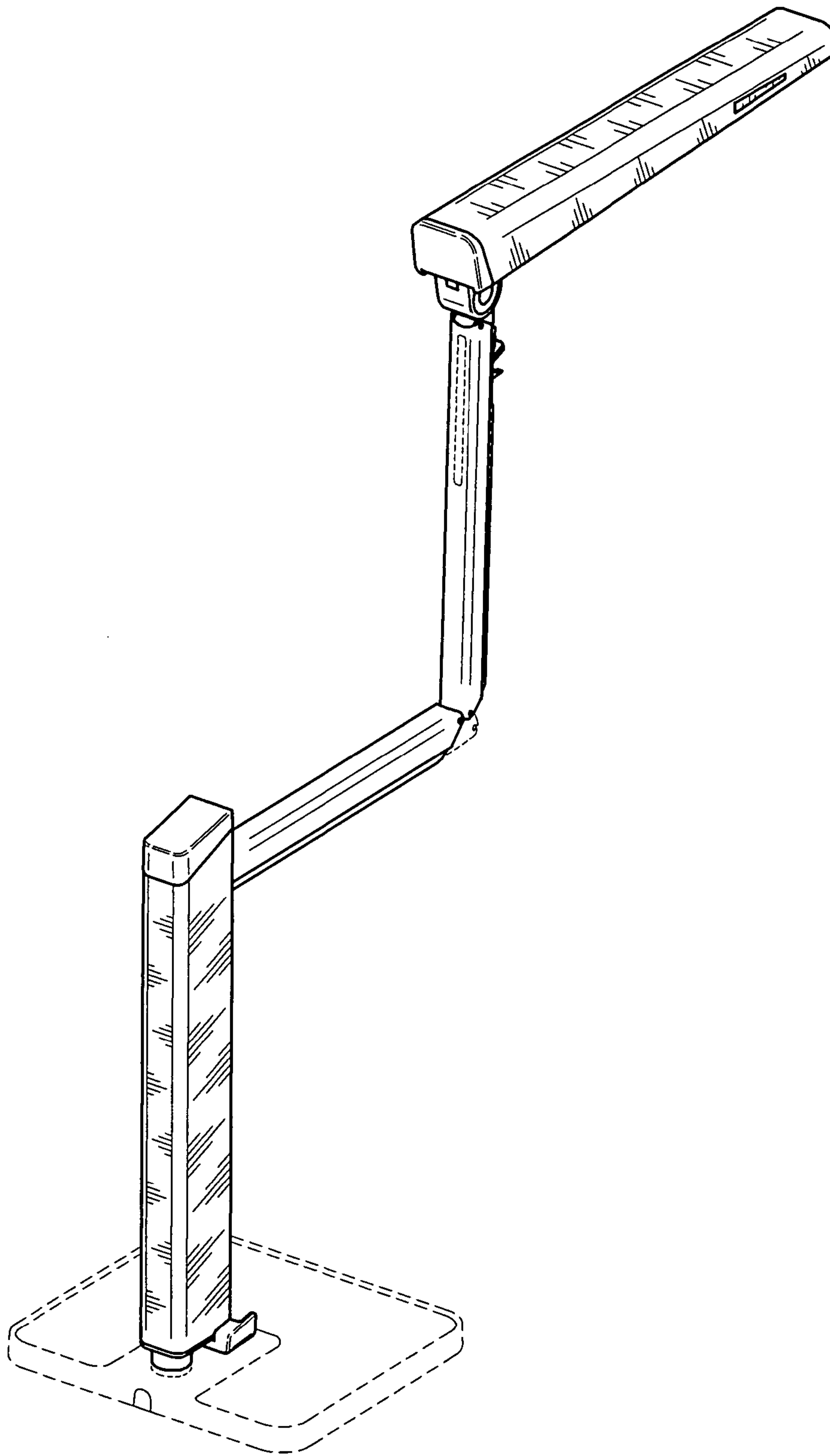


Figure 17

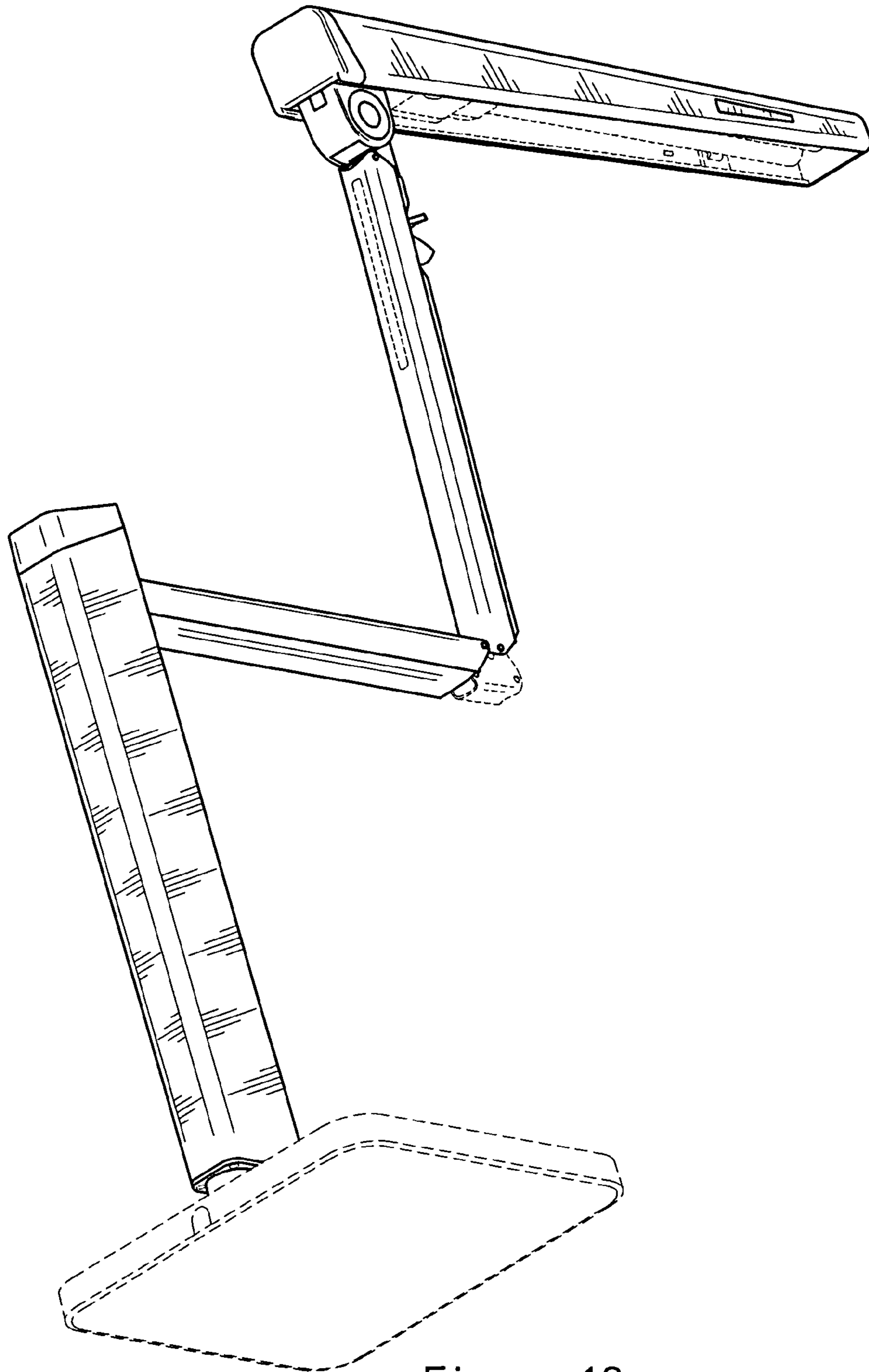


Figure 18

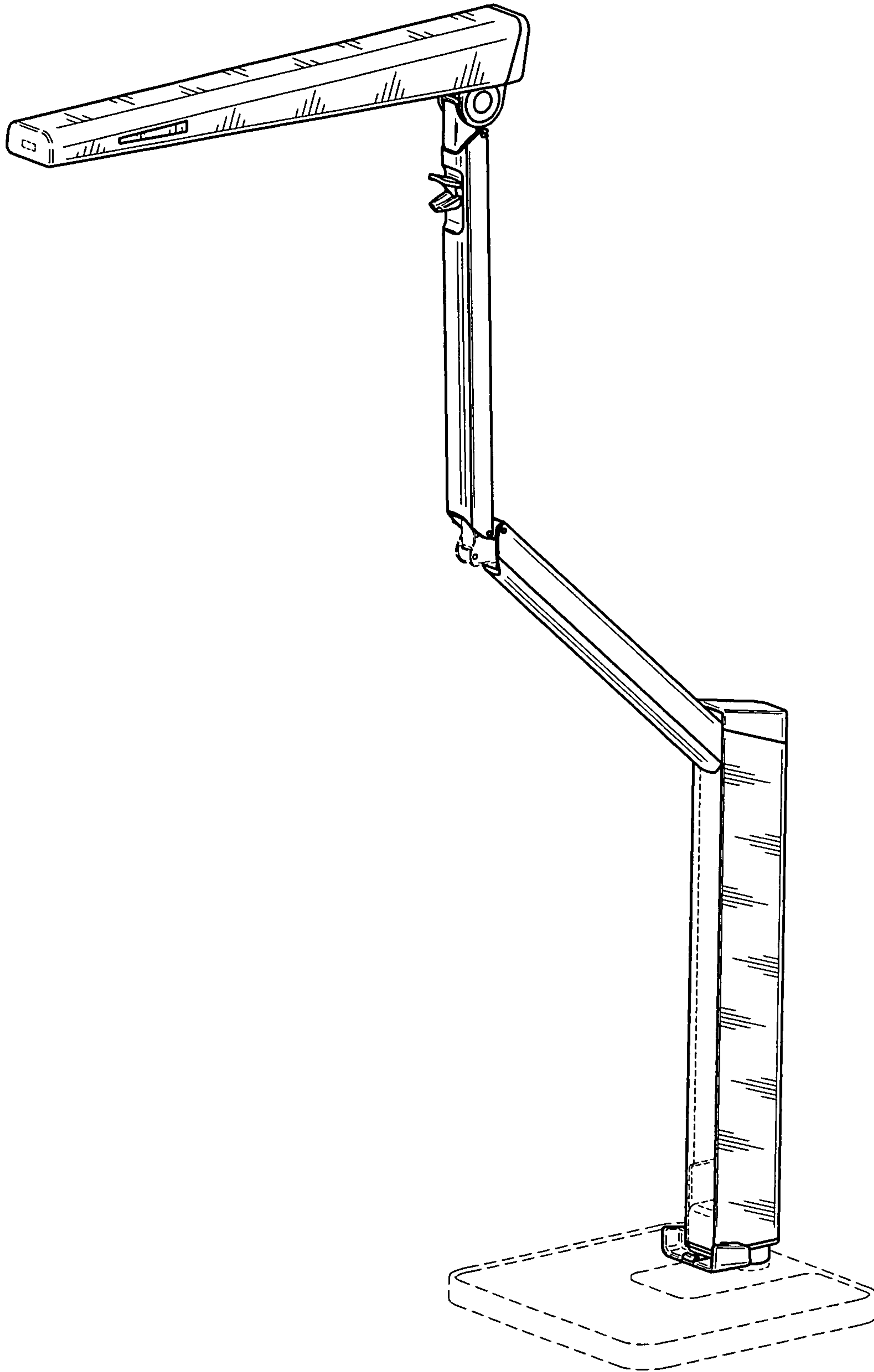


Figure 19

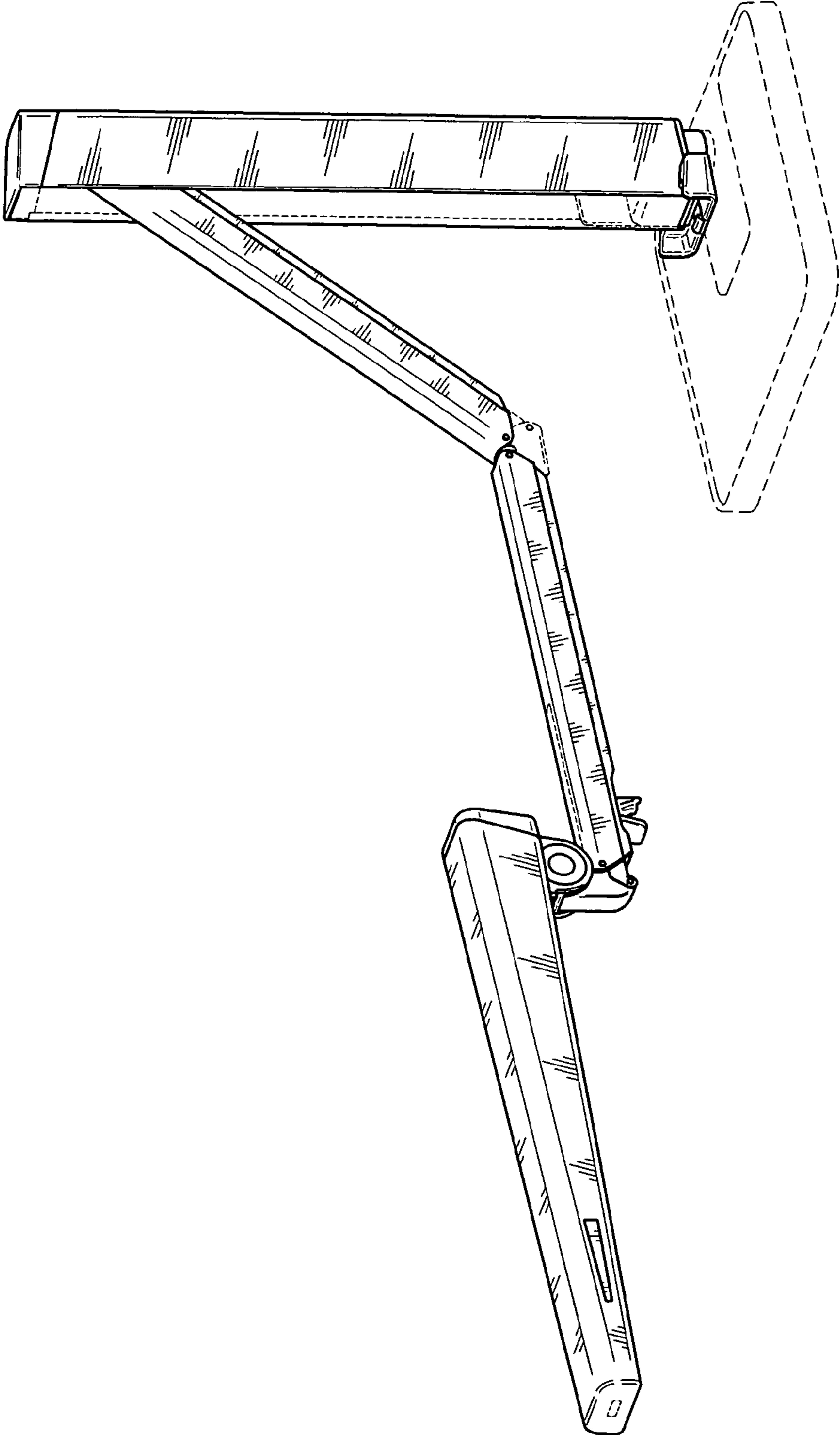


Figure 20