



US00D637330S

(12) **United States Design Patent**
Lee

(10) **Patent No.:** **US D637,330 S**

(45) **Date of Patent:** **** May 3, 2011**

(54) **HAT LIGHT**

(76) Inventor: **Wen-Sung Lee**, Taichung (TW)

(**) Term: **14 Years**

(21) Appl. No.: **29/366,512**

(22) Filed: **Jul. 27, 2010**

(51) **LOC (9) Cl.** **26-02**

(52) **U.S. Cl.** **D26/39**

(58) **Field of Classification Search** D26/37,
D26/38, 39, 44, 46, 49, 51, 60, 61; 362/105,
362/106, 157, 158, 183, 184, 187, 191, 194,
362/195-199, 202-208, 253

See application file for complete search history.

(56) **References Cited**

U.S. PATENT DOCUMENTS

D507,065 S *	7/2005	Son	D26/39
D541,452 S *	4/2007	Schnell	D26/39
D544,121 S *	6/2007	Yang	D26/39
D553,279 S *	10/2007	Yang	D26/39
D564,685 S *	3/2008	Schnell	D26/39

D566,311 S *	4/2008	Schnell	D26/39
D578,691 S *	10/2008	Lau	D26/39
D585,576 S *	1/2009	Chisholm	D26/39
D600,840 S *	9/2009	Lagassey	D26/37
D605,320 S *	12/2009	Moudry et al.	D26/39

* cited by examiner

Primary Examiner — Ian Simmons

Assistant Examiner — Carissa C Fitts

(57) **CLAIM**

The ornamental design for a hat light, as shown and described.

DESCRIPTION

FIG. 1 is a perspective view of a hat light showing my new design;

FIG. 2 is a front elevational view thereof;

FIG. 3 is a rear elevational view thereof;

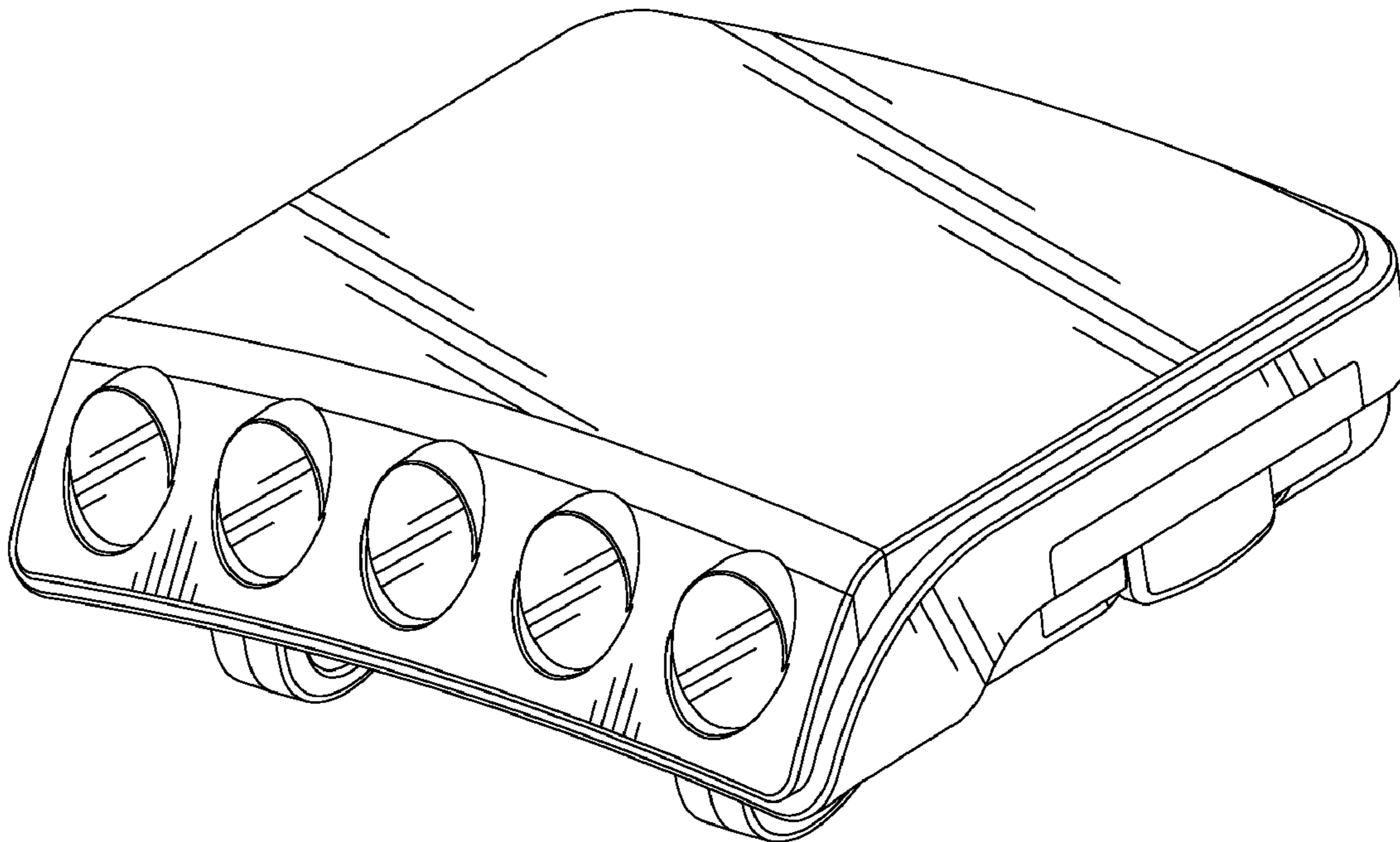
FIG. 4 is a left side view thereof;

FIG. 5 is a right side view thereof;

FIG. 6 is a top plan view thereof; and,

FIG. 7 is a bottom plan view thereof.

1 Claim, 4 Drawing Sheets



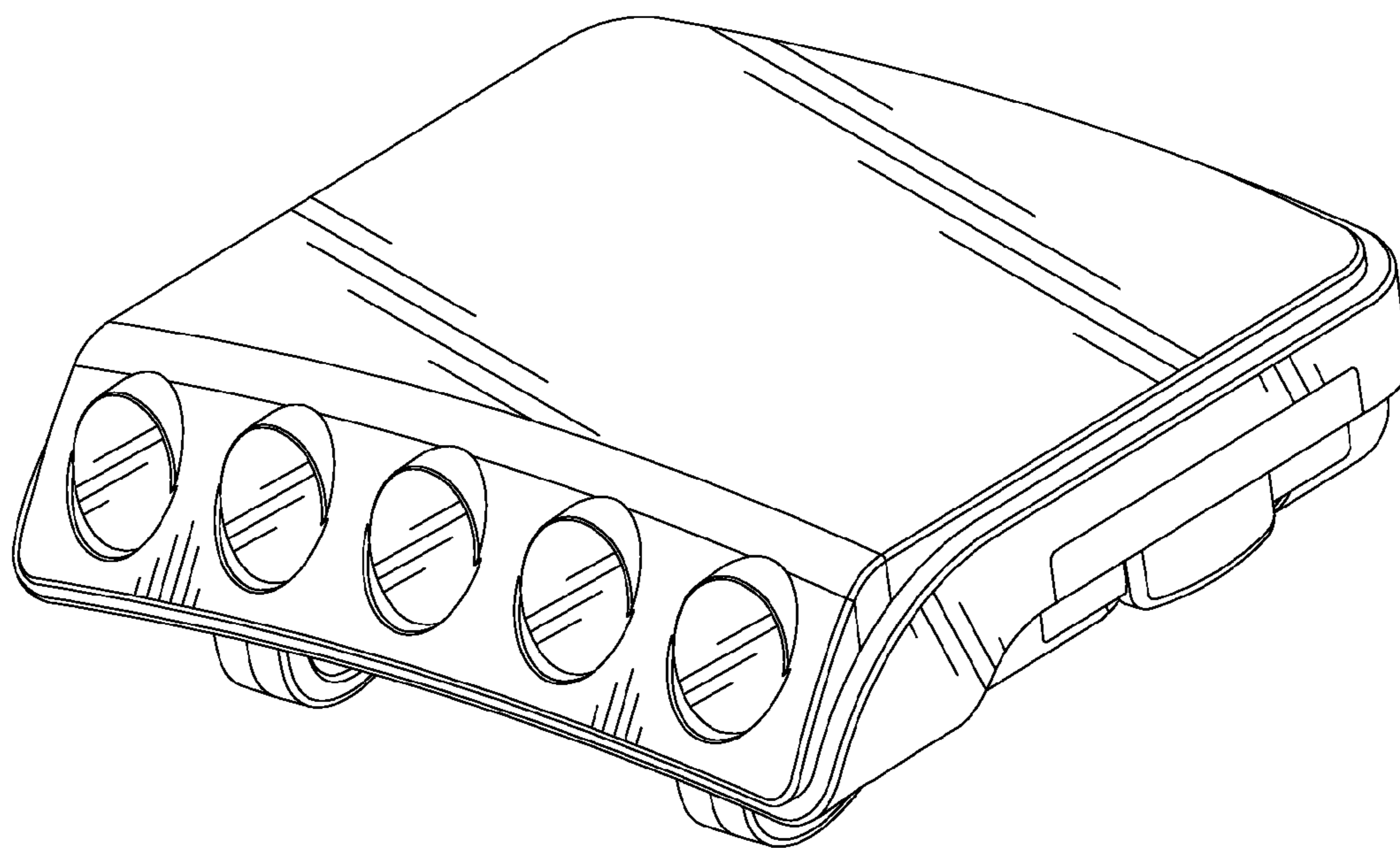


FIG. 1

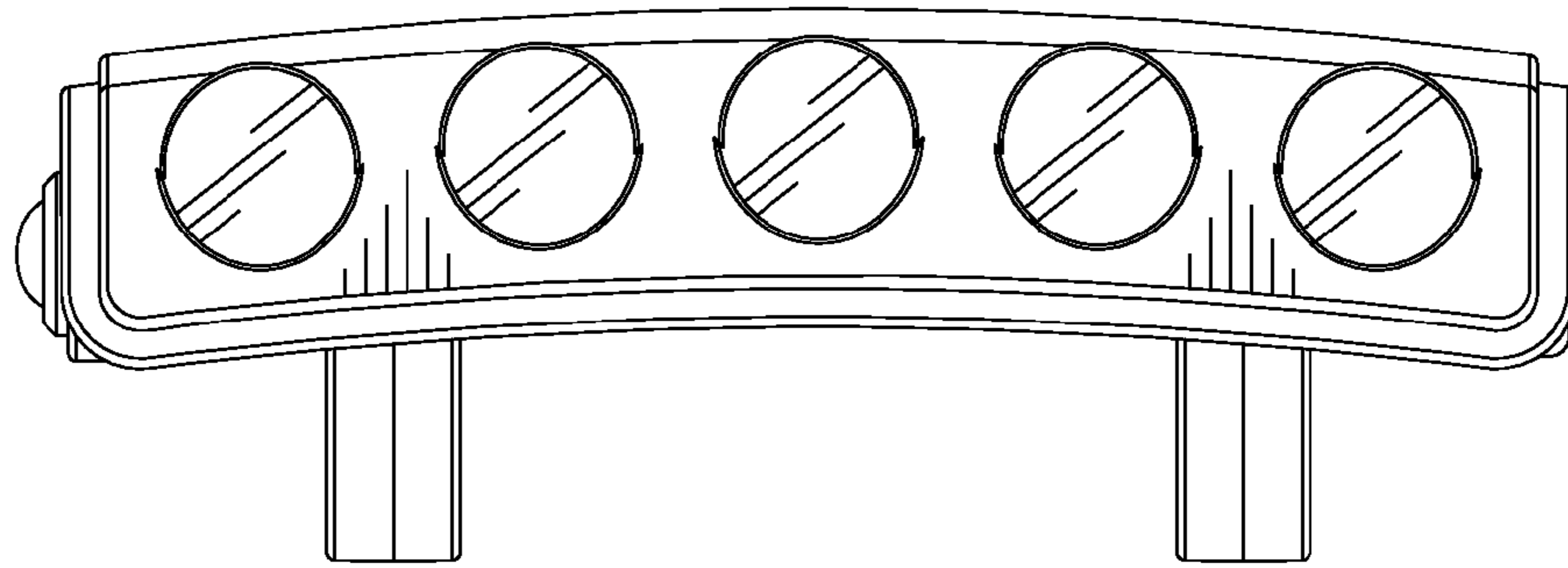


FIG. 2

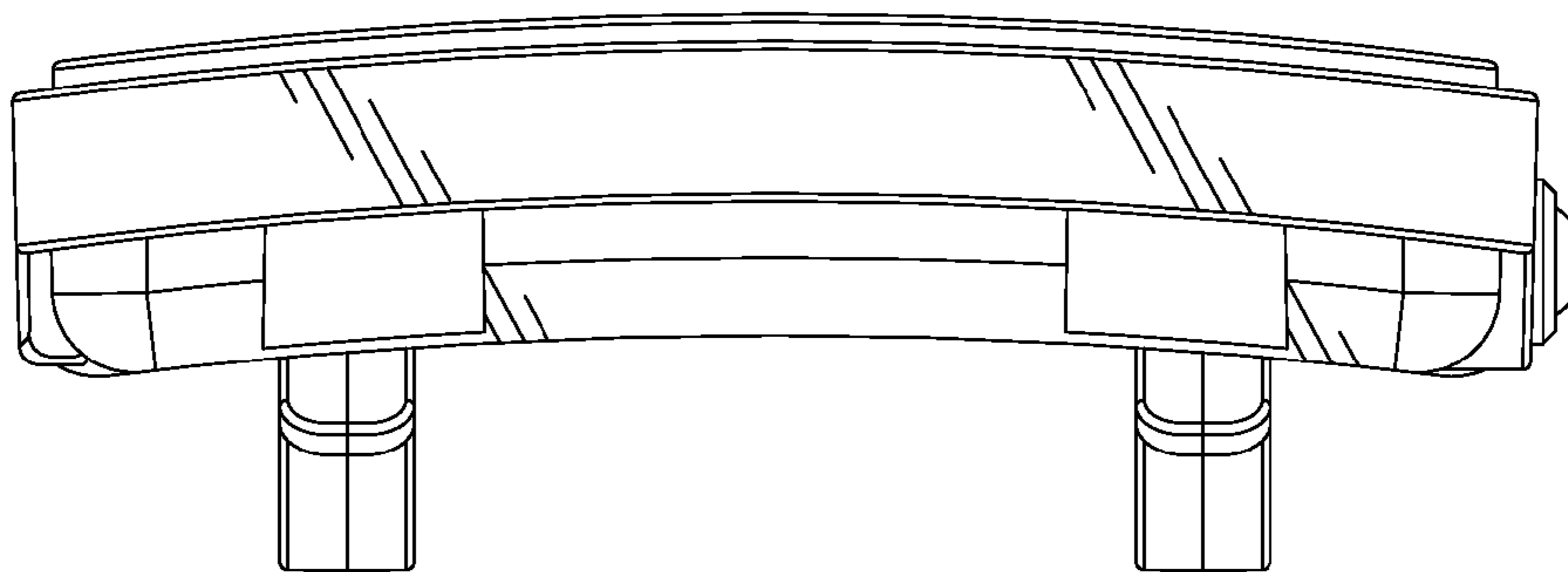


FIG. 3

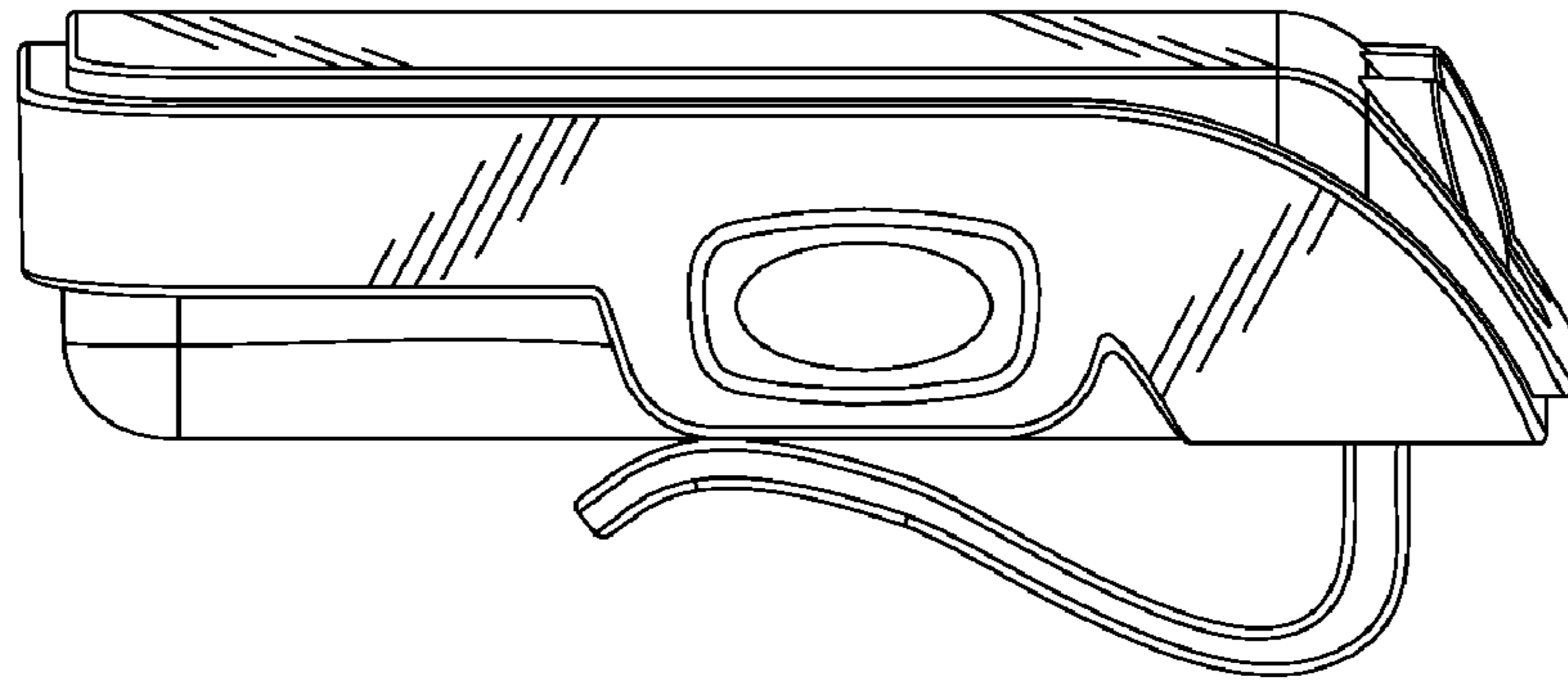


FIG. 4

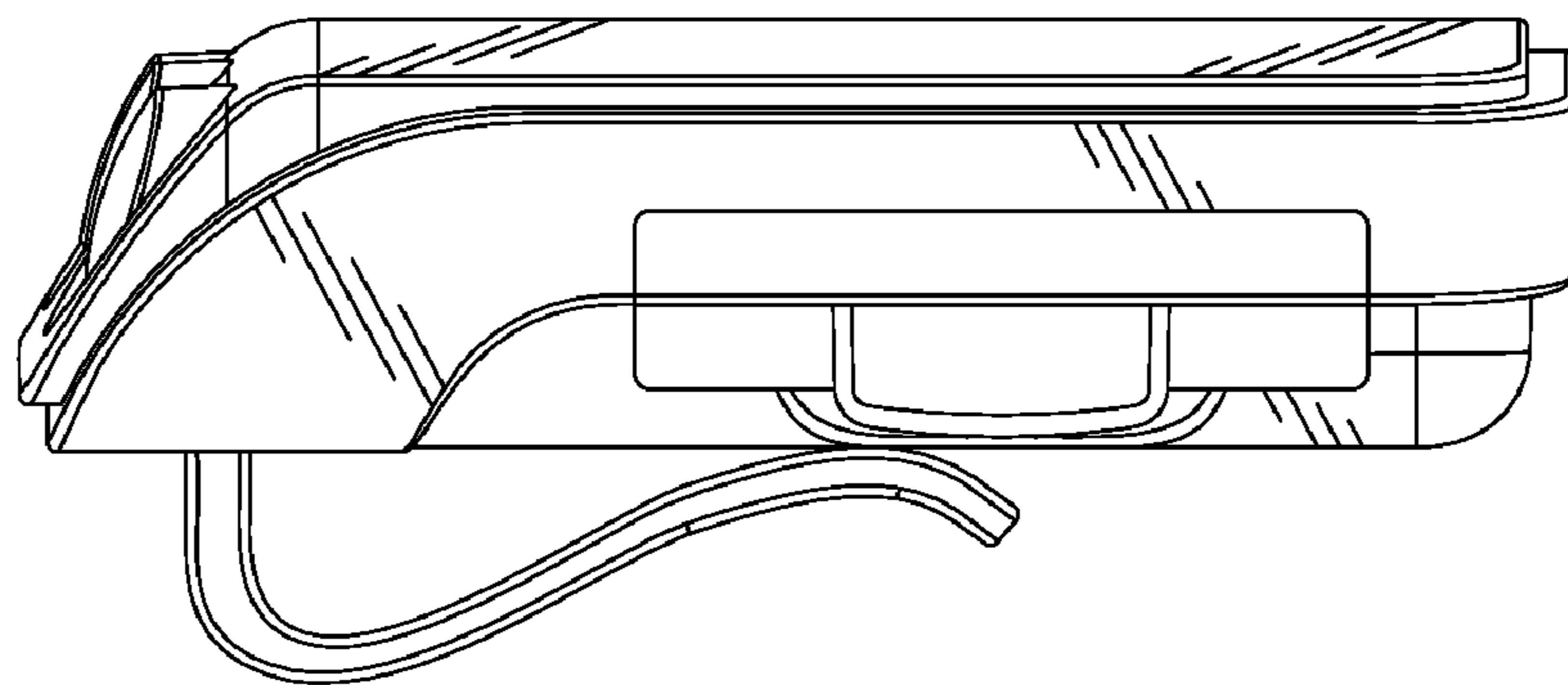


FIG. 5

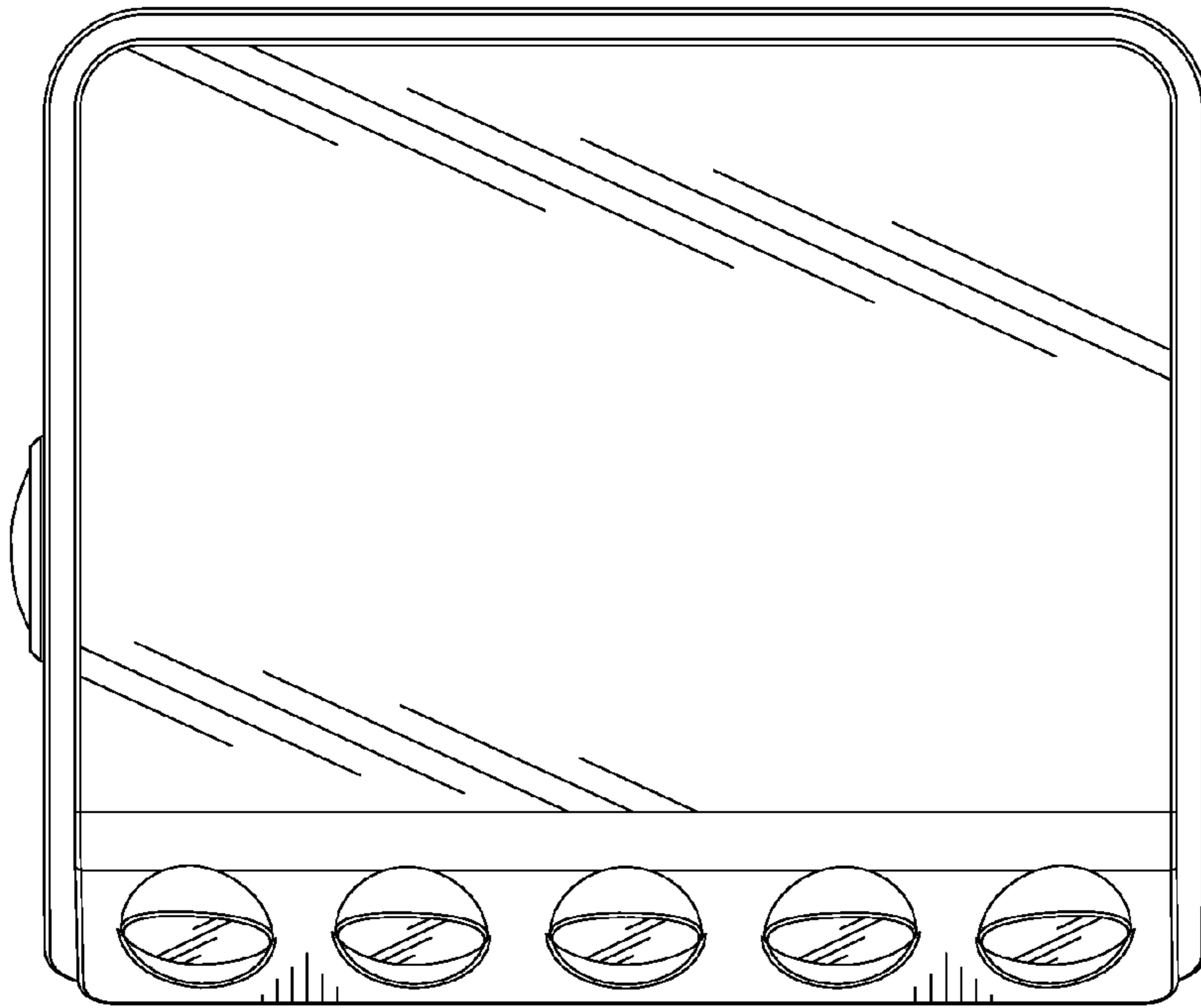


FIG. 6

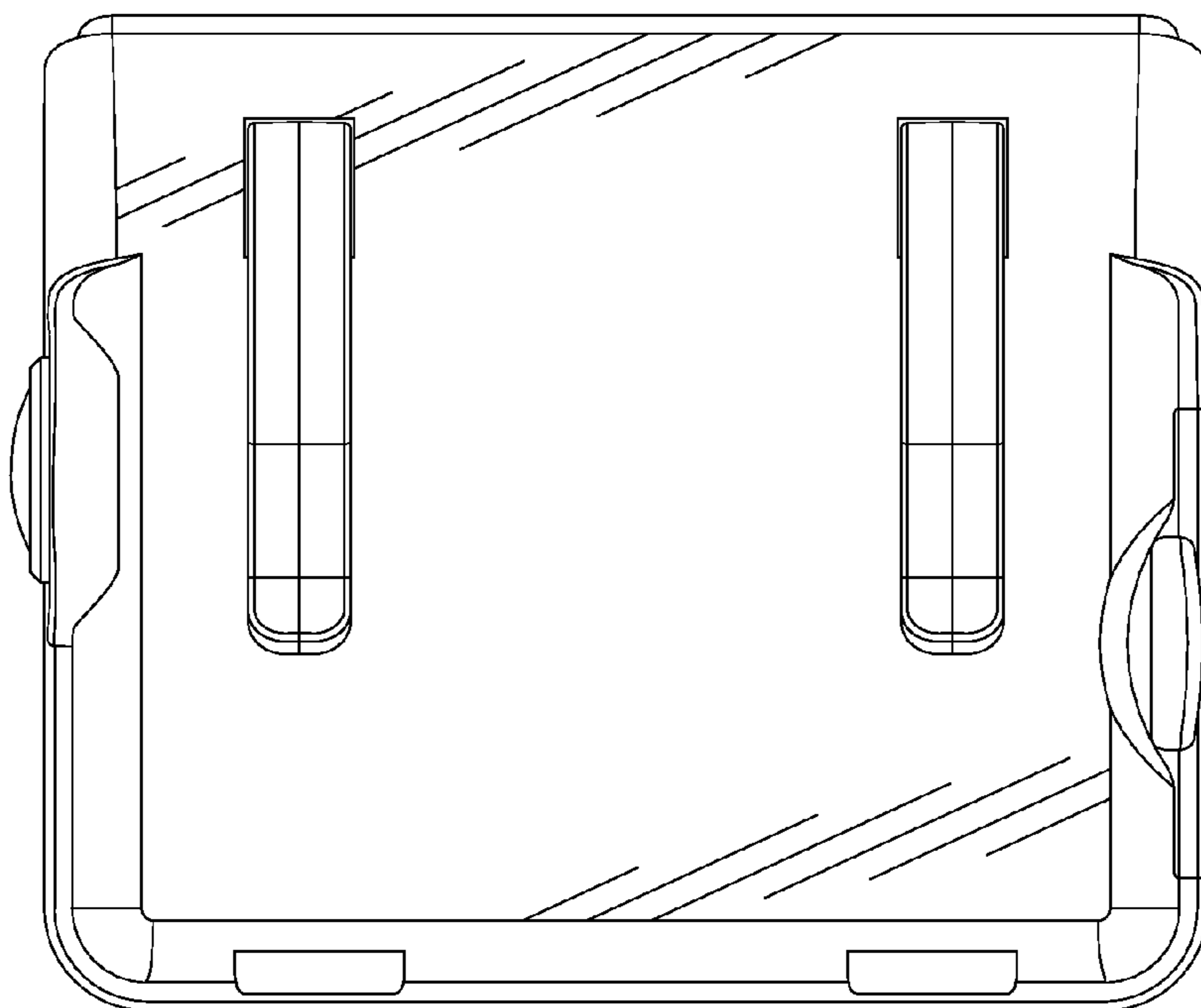


FIG. 7