



US00D637326S

(12) **United States Design Patent**
Yang

(10) **Patent No.:** **US D637,326 S**

(45) **Date of Patent:** **** May 3, 2011**

(54) **AUTOMOTIVE LAMP**

(76) Inventor: **Hsiu-Pen Yang**, Taipei (TW)

(**) Term: **14 Years**

(21) Appl. No.: **29/370,657**

(22) Filed: **Aug. 18, 2010**

(51) **LOC (9) Cl.** **26-06**

(52) **U.S. Cl.** **D26/28**

(58) **Field of Classification Search** D26/28-36;
362/459-468, 475-478, 485-487

See application file for complete search history.

(56) **References Cited**

U.S. PATENT DOCUMENTS

D549,363 S * 8/2007 Pfeiffer D26/28
D552,769 S * 10/2007 Leclercq D26/28
D553,268 S * 10/2007 Pfeiffer D26/28

D560,292 S * 1/2008 Sato D26/28
D561,357 S * 2/2008 Leclercq D26/28
D570,015 S * 5/2008 Hsu D26/28

* cited by examiner

Primary Examiner — Marcus Jackson

(74) *Attorney, Agent, or Firm* — Charles R. Sutton; Law
Offices of Roger C. Hsu

(57) **CLAIM**

The ornamental design for an automotive lamp, as shown and
described.

DESCRIPTION

FIG. 1 is a perspective view of an automotive lamp showing
my new design;

FIG. 2 is a front elevational view thereof;

FIG. 3 is a rear elevational view thereof;

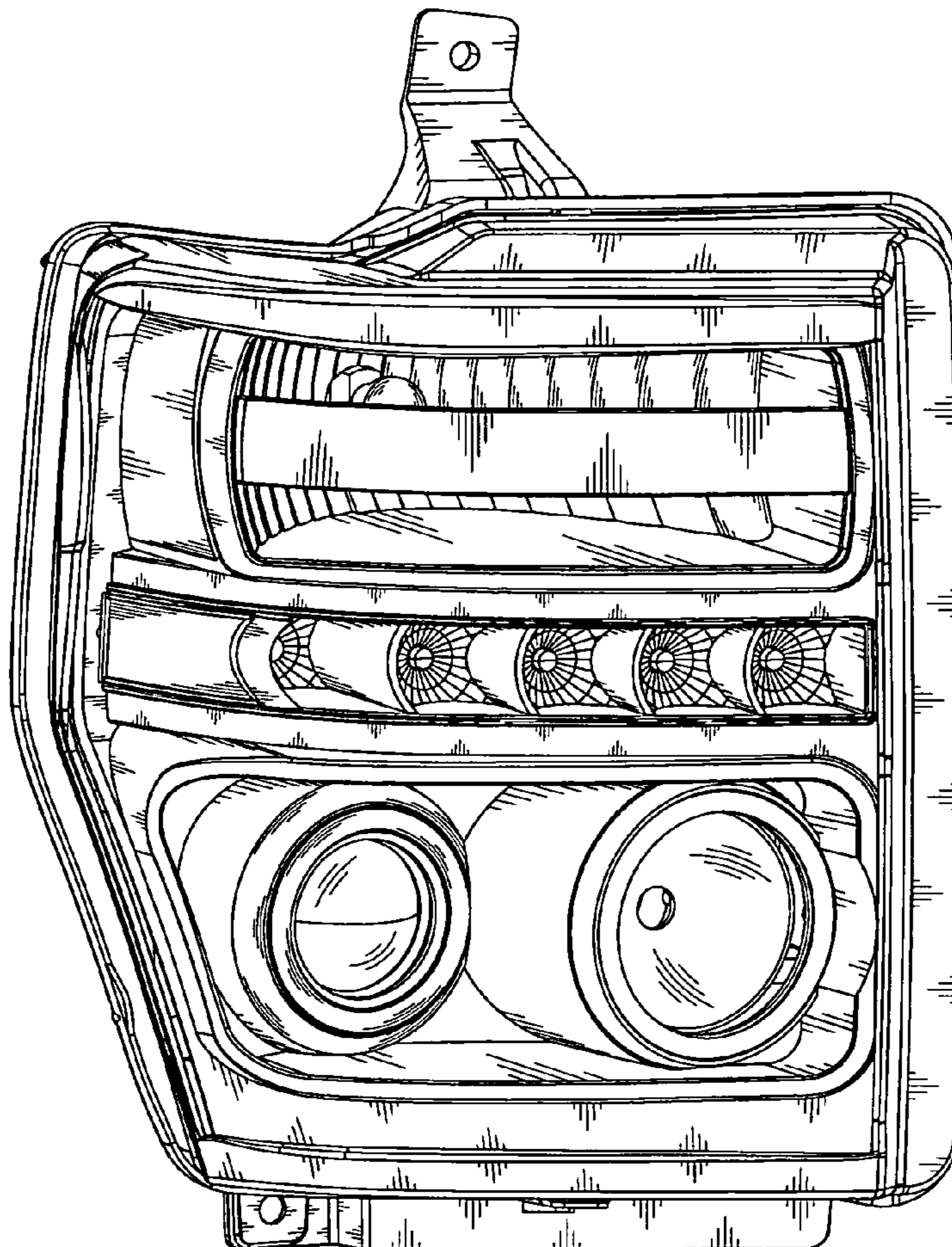
FIG. 4 is a left side elevational view thereof;

FIG. 5 is a right side elevational view thereof;

FIG. 6 is a top plan view thereof; and,

FIG. 7 is a bottom plan view thereof.

1 Claim, 7 Drawing Sheets



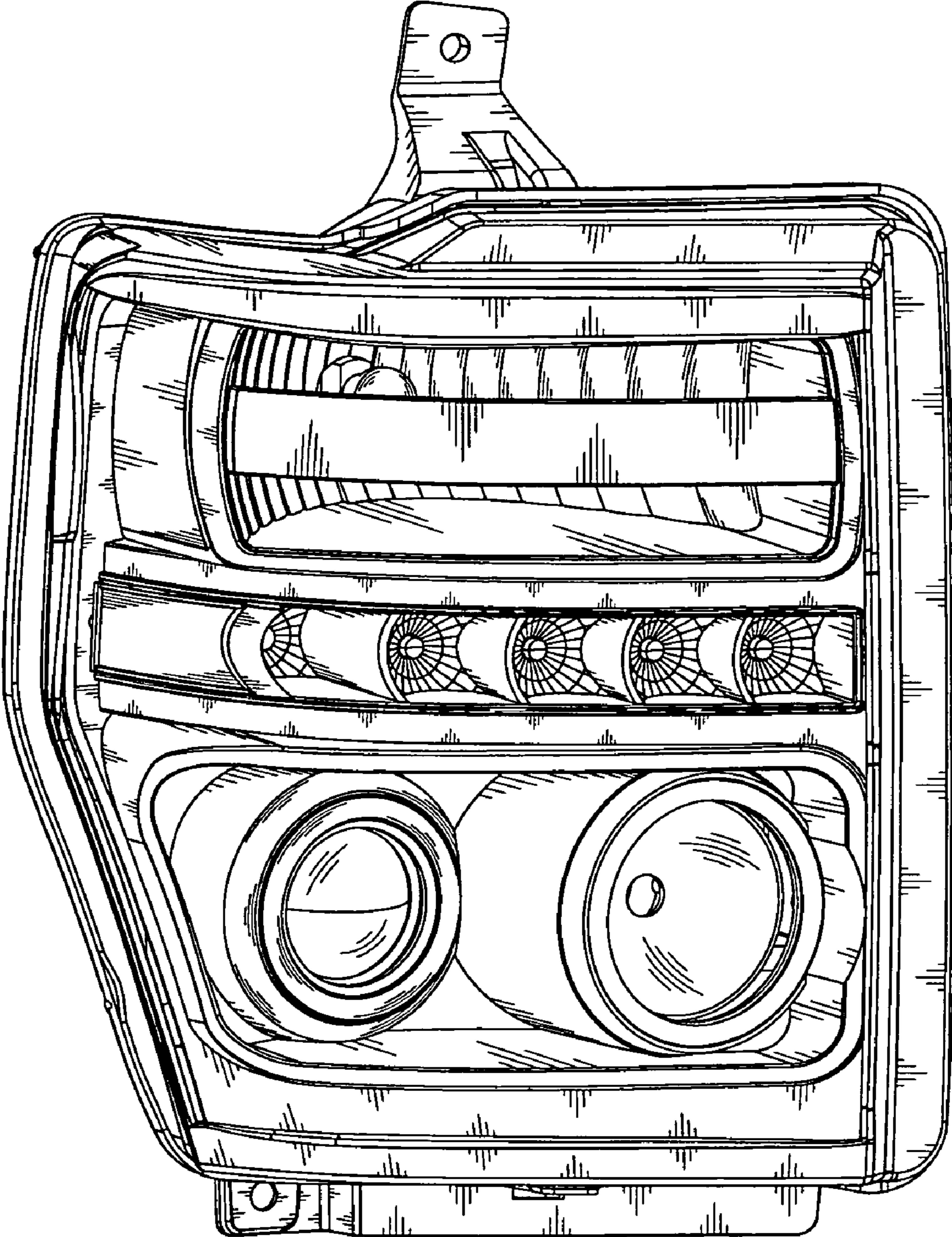


FIG. 1

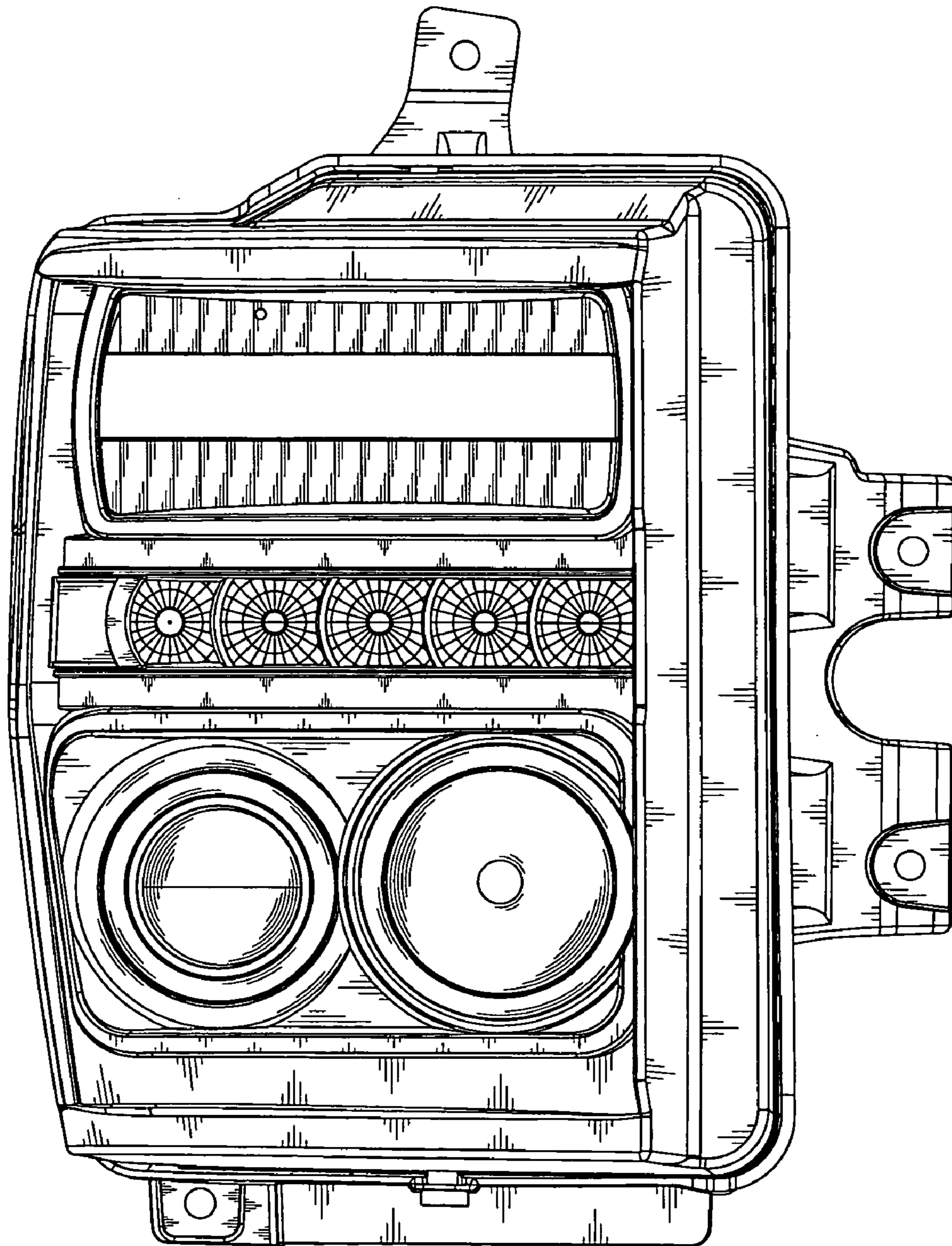


FIG. 2

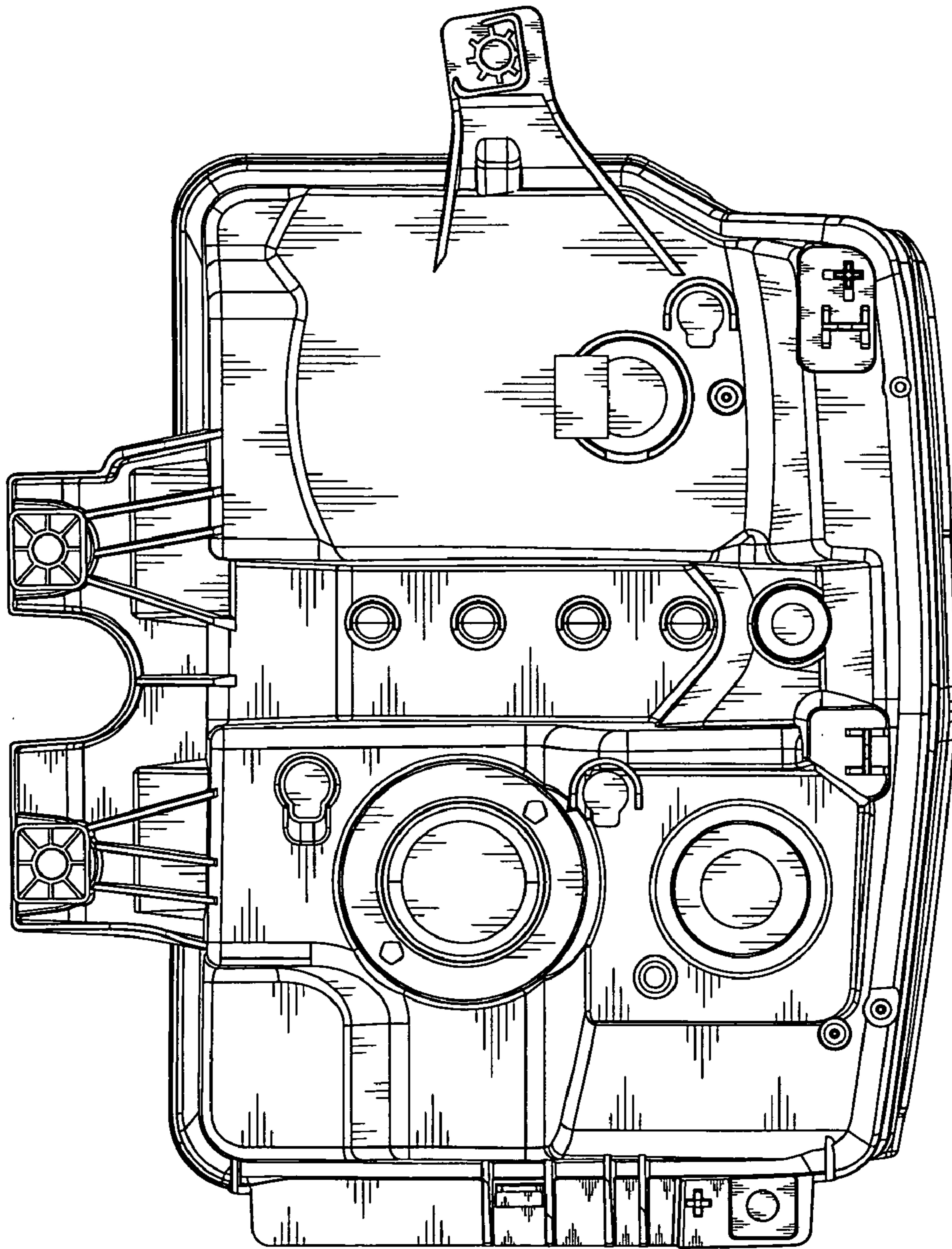


FIG. 3

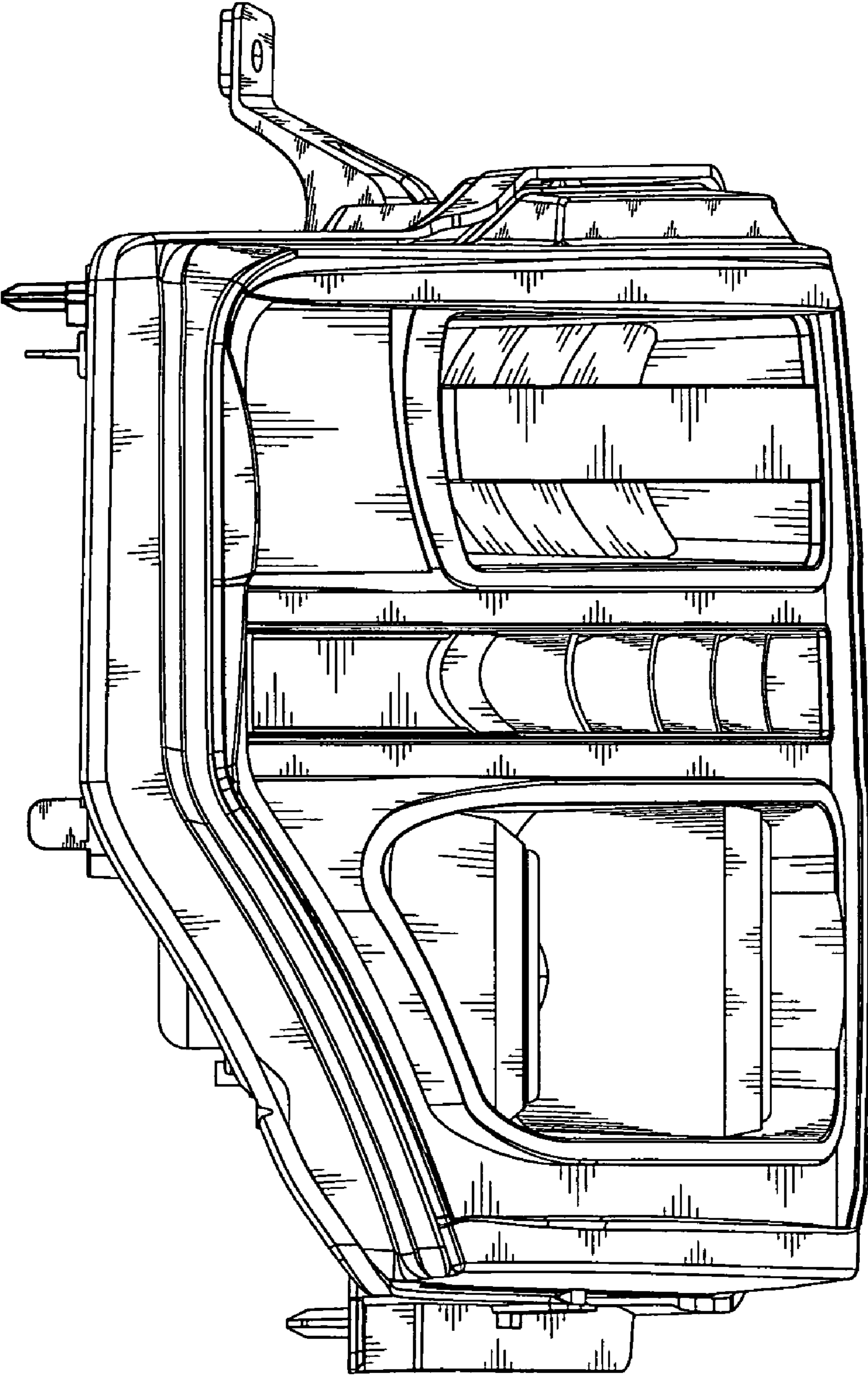


FIG. 4

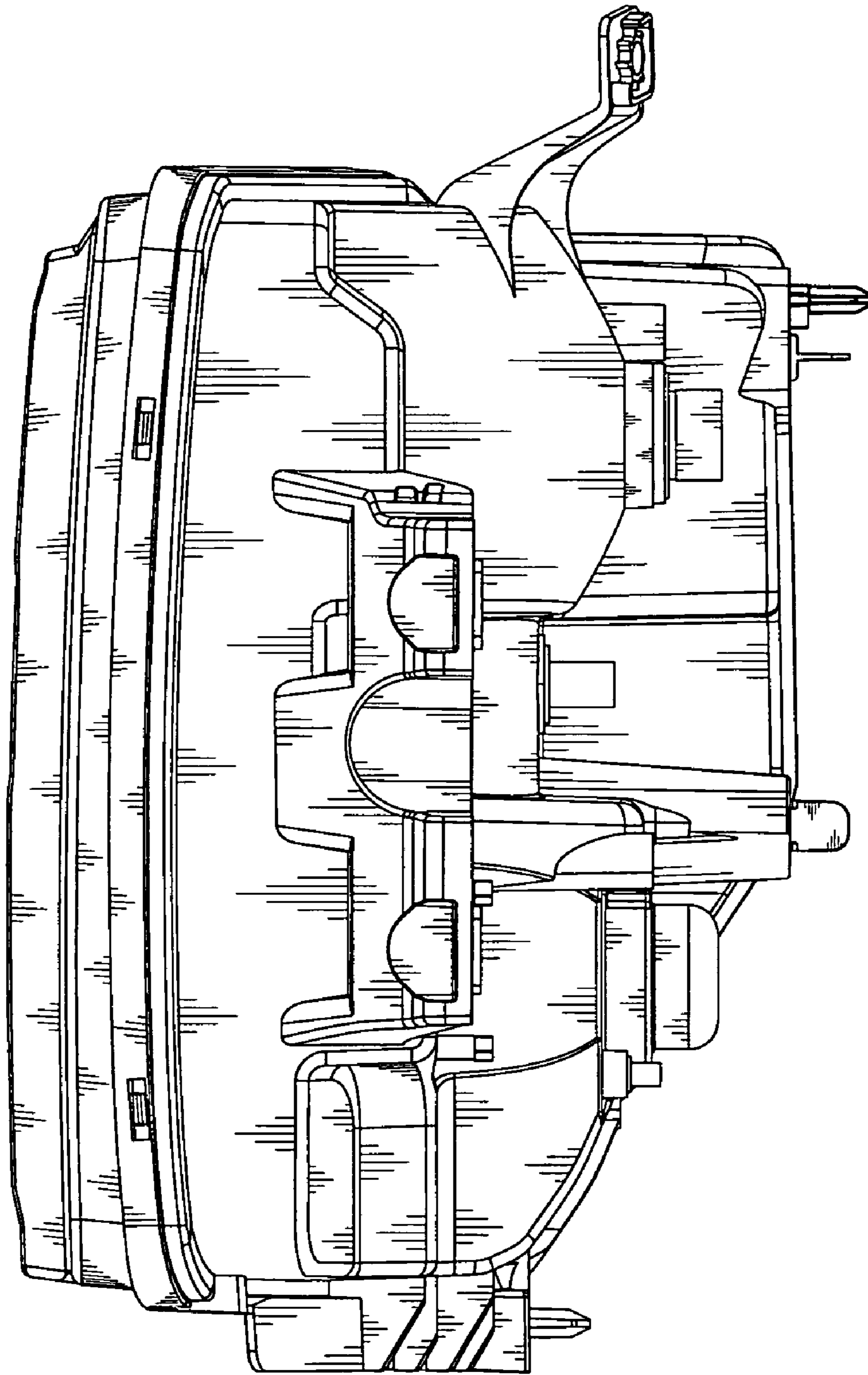


FIG. 5

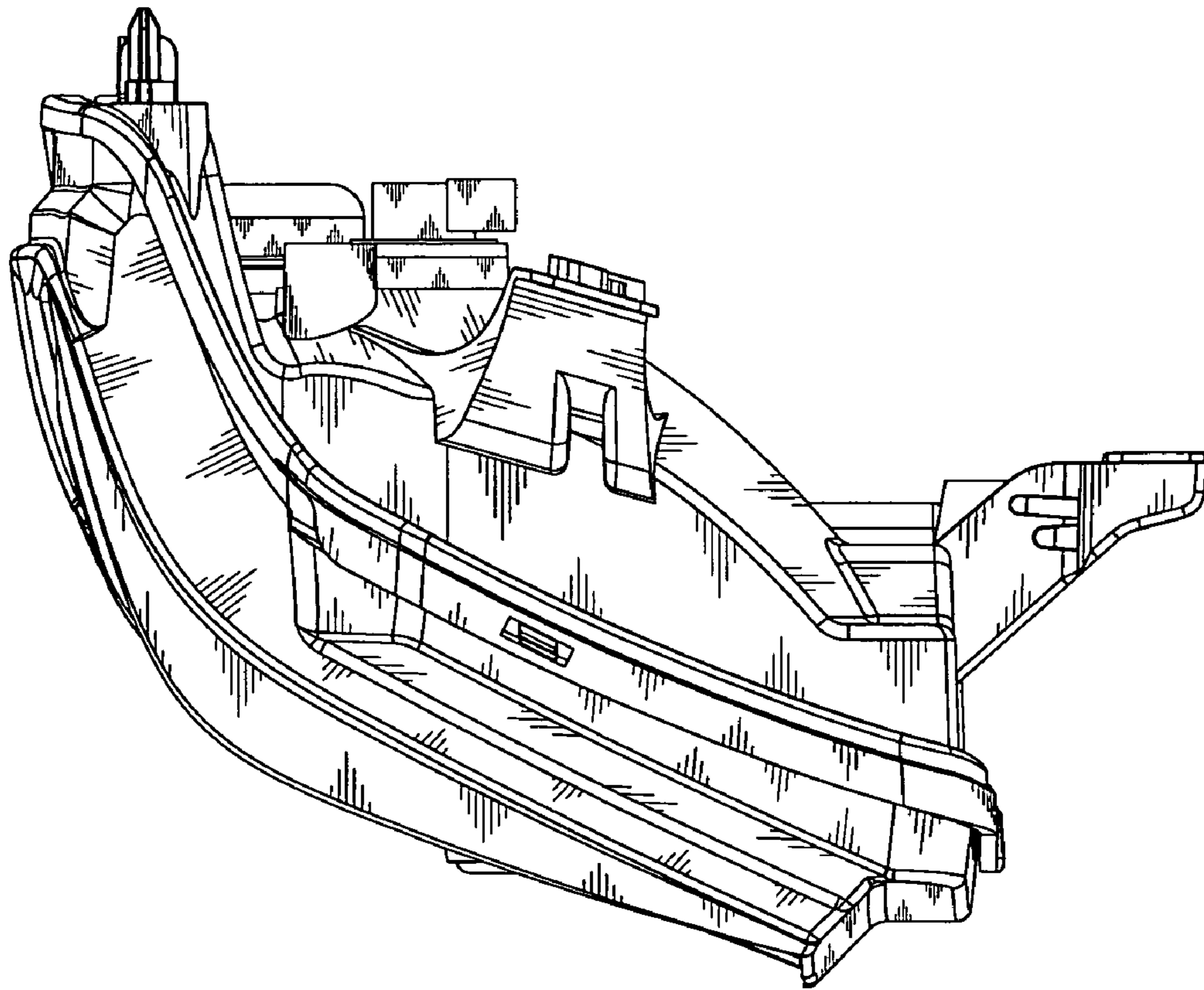


FIG. 6

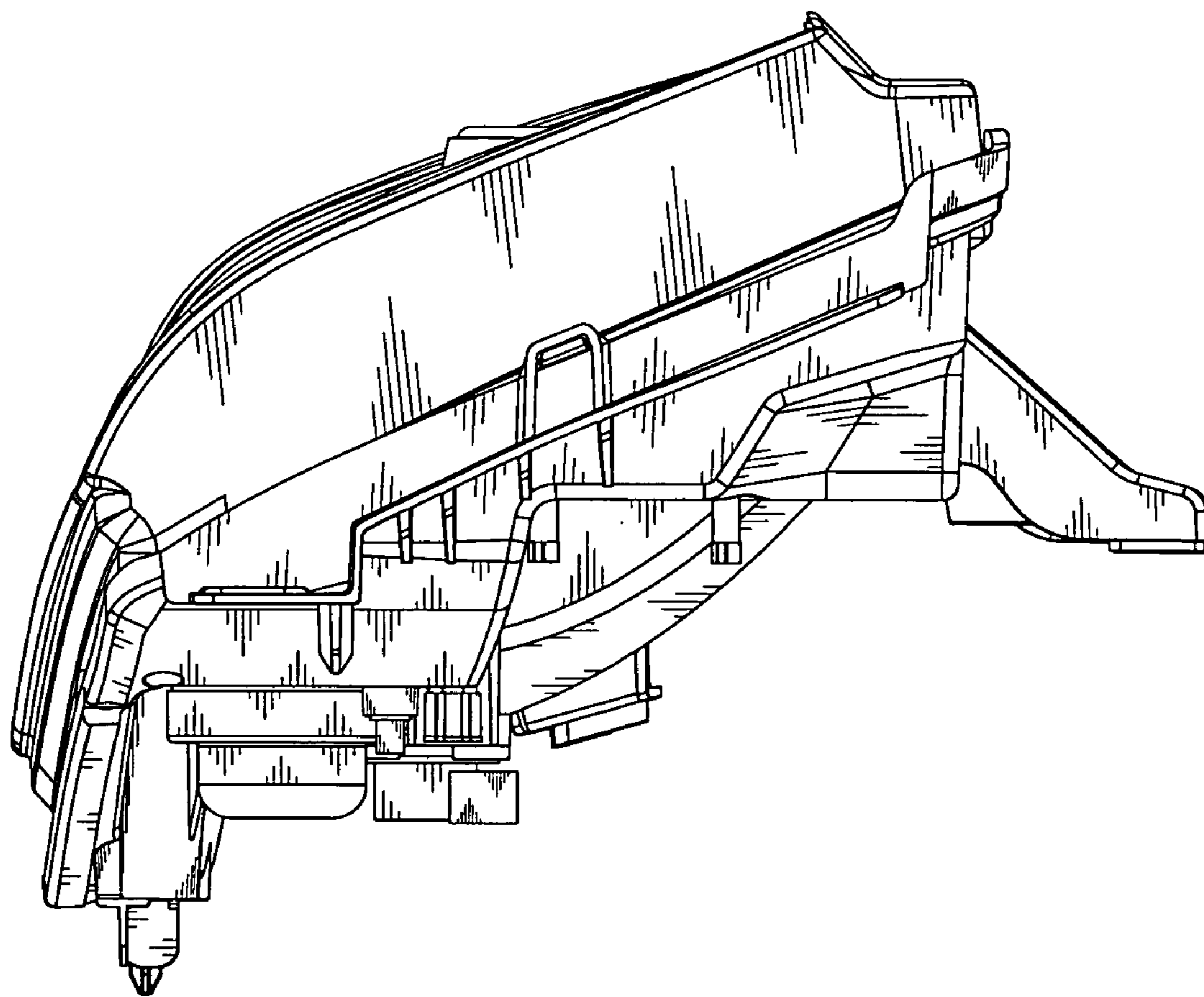


FIG. 7