



US00D637317S

(12) **United States Design Patent**
Hudson, Jr. et al.

(10) **Patent No.:** **US D637,317 S**
(45) **Date of Patent:** **** May 3, 2011**

(54) **HIP AND RIDGE END CAP**

(75) Inventors: **Willard C. Hudson, Jr.**, Southlake, TX (US); **Jeffrey P. Jacobs**, Arlington, TX (US); **James F. Sauter**, Cleburne, TX (US); **Kevin B. Pelka**, Arlington, TX (US)

(73) Assignee: **Decra Roofing Systems, Inc.**, Arlington, TX (US)

(**) Term: **14 Years**

(21) Appl. No.: **29/379,309**

(22) Filed: **Nov. 17, 2010**

(51) **LOC (9) Cl.** **25-01**

(52) **U.S. Cl.** **D25/140**

(58) **Field of Classification Search** 52/518,
52/314, 554, 555, 560; D25/139, 143, 144,
D25/140

See application file for complete search history.

(56) **References Cited**

U.S. PATENT DOCUMENTS

4,498,267	A *	2/1985	Beck	52/555
6,351,913	B1 *	3/2002	Freiborg et al.	52/57
D524,455	S *	7/2006	George et al.	D25/140
7,124,548	B2 *	10/2006	Pressutti et al.	52/518
7,127,869	B2 *	10/2006	Perry	52/747.1
D568,496	S *	5/2008	Trabue et al.	D25/139

* cited by examiner

Primary Examiner — Doris Clark

(74) *Attorney, Agent, or Firm* — Baker & McKenzie LLP

(57) **CLAIM**

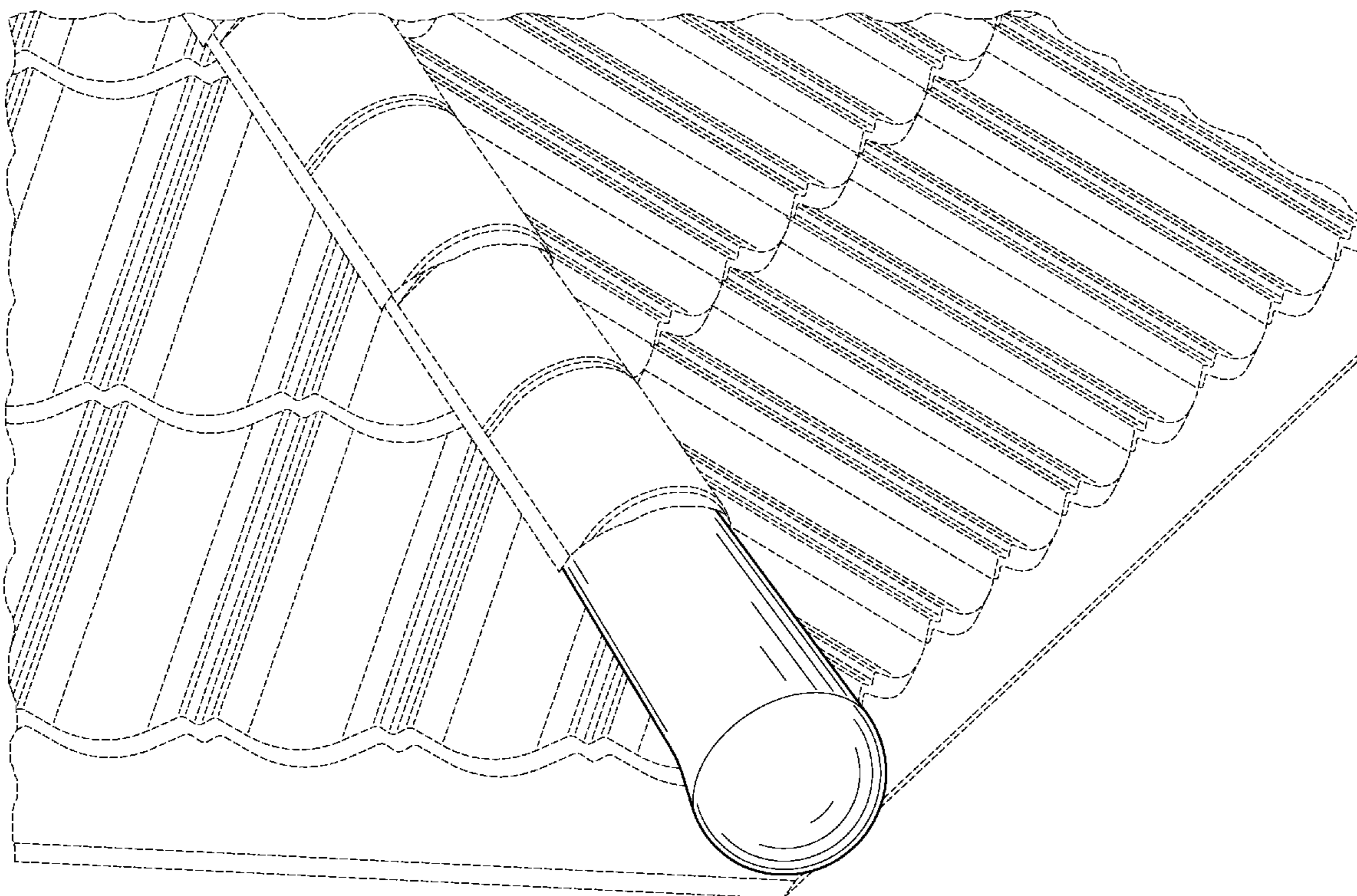
The ornamental design for a hip and ridge end cap, as shown and described.

DESCRIPTION

FIG. 1 is a perspective view of a hip and ridge end cap in accordance with our design;
 FIG. 2 is another perspective view of the hip and ridge end cap in accordance with our design;
 FIG. 3 is a front elevation view of the hip and ridge end cap in accordance with our design;
 FIG. 4 is a side elevation view of the hip and ridge end cap in accordance with our design;
 FIG. 5 is a back elevation view of the hip and ridge end cap in accordance with our design;
 FIG. 6 is another side elevation view of the hip and ridge end cap in accordance with our design;
 FIG. 7 is a top plan view of the hip and ridge end cap in accordance with our design;
 FIG. 8 is a bottom plan view of the hip and ridge end cap in accordance with our design; and,
 FIG. 9 is a cross-sectional view, taken along section lines 9—9 in FIG. 2, of the hip and ridge end cap in accordance with our design.

The broken lines showing environmental structure are for illustrative purposes and form no part of the claimed design.

1 Claim, 7 Drawing Sheets



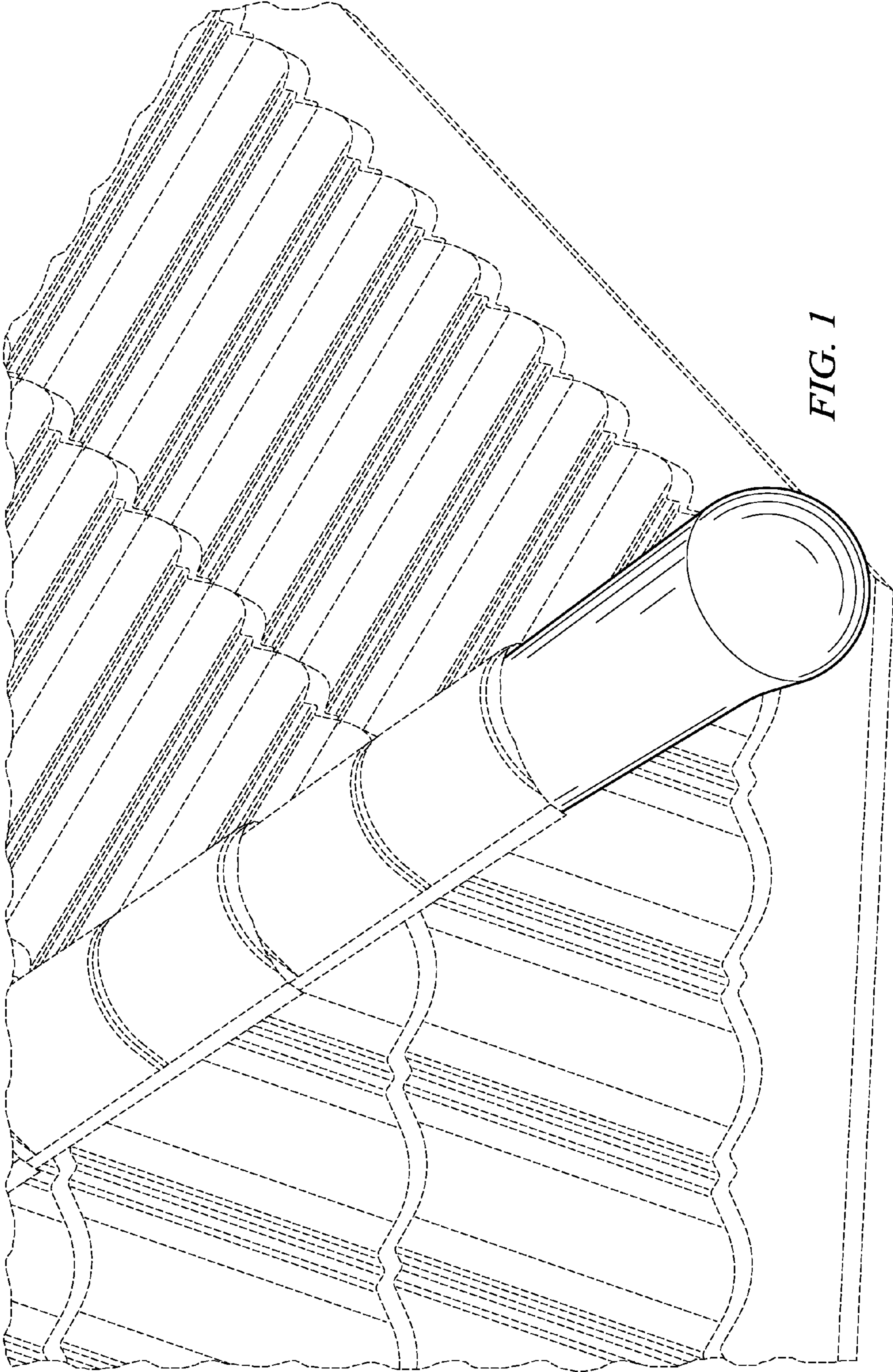
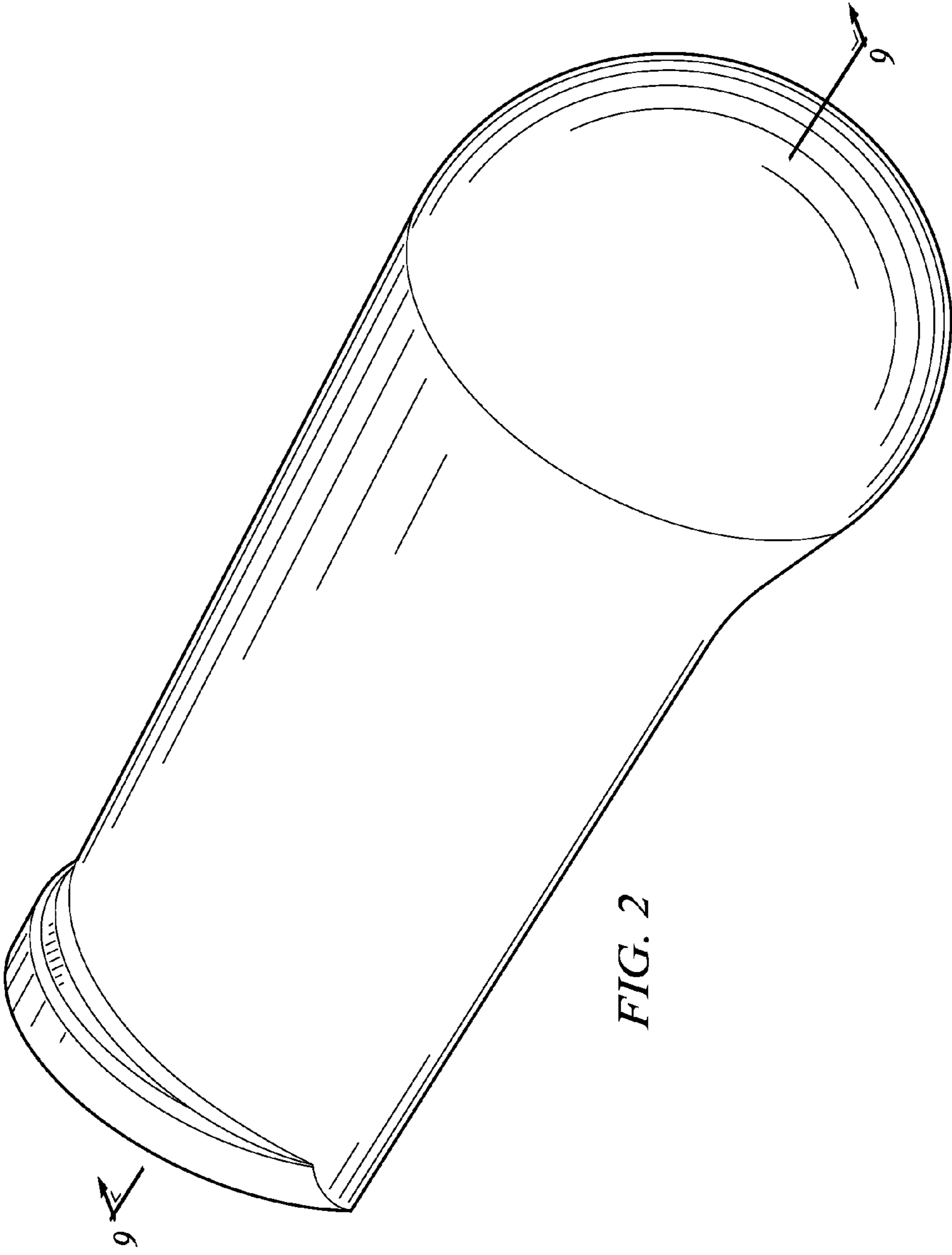


FIG. 1



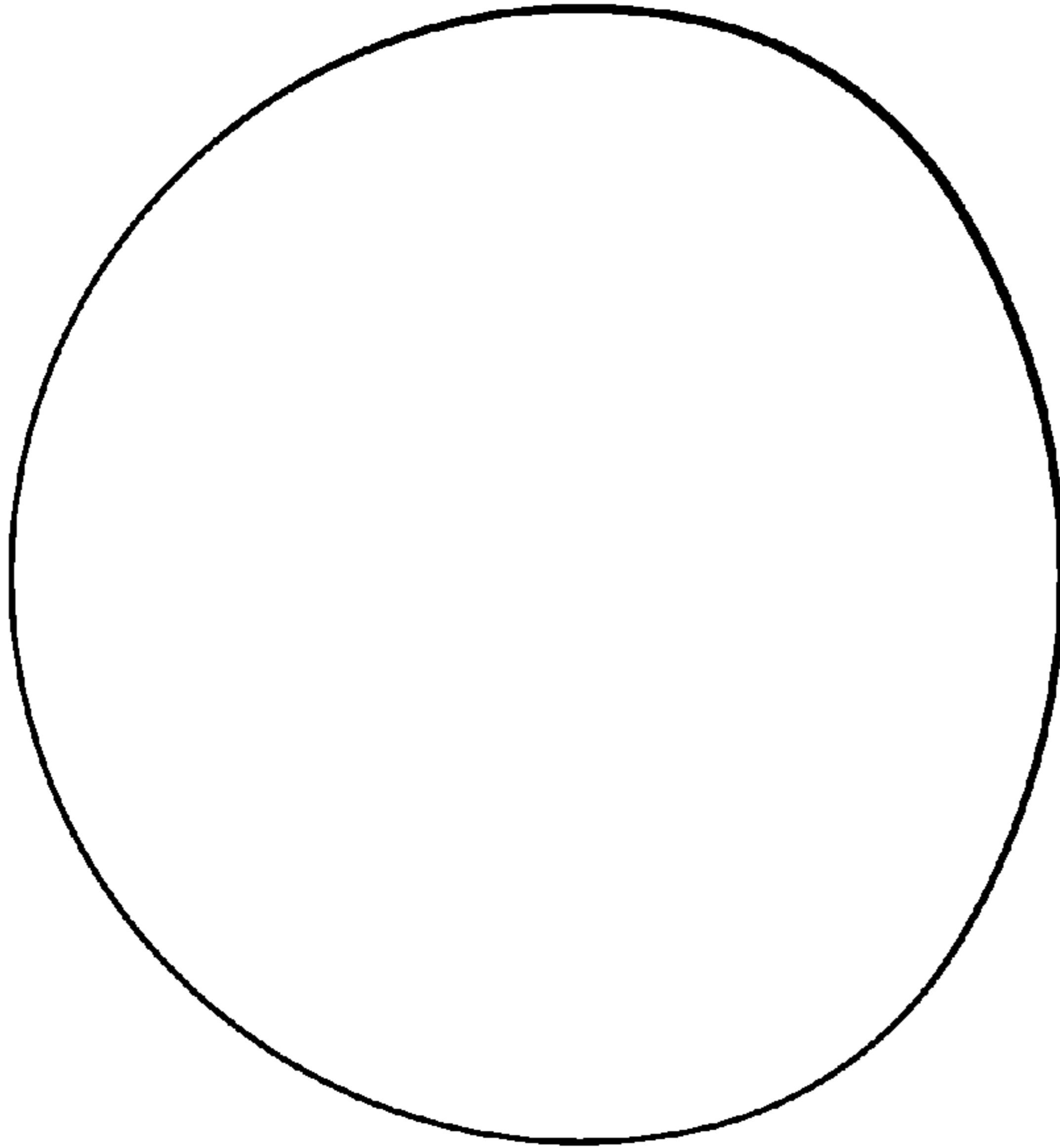


FIG. 3

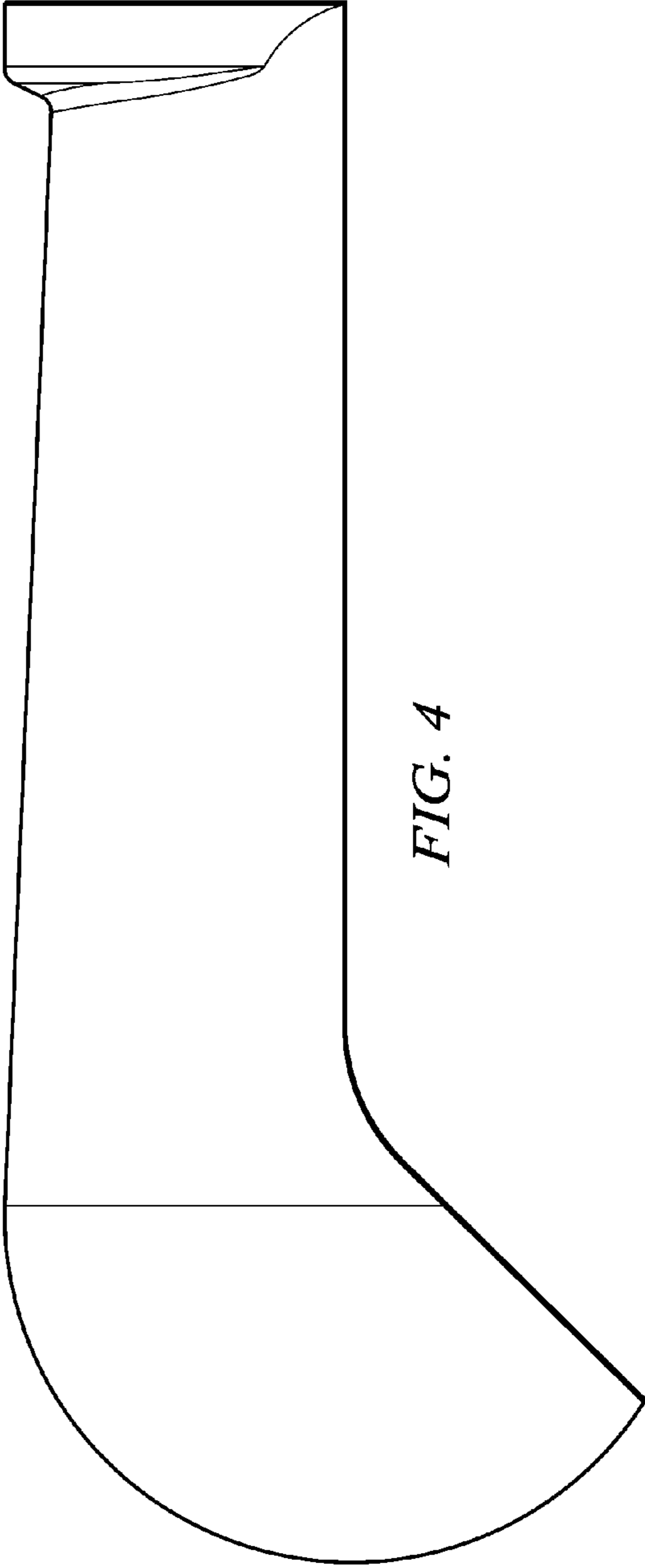


FIG. 4

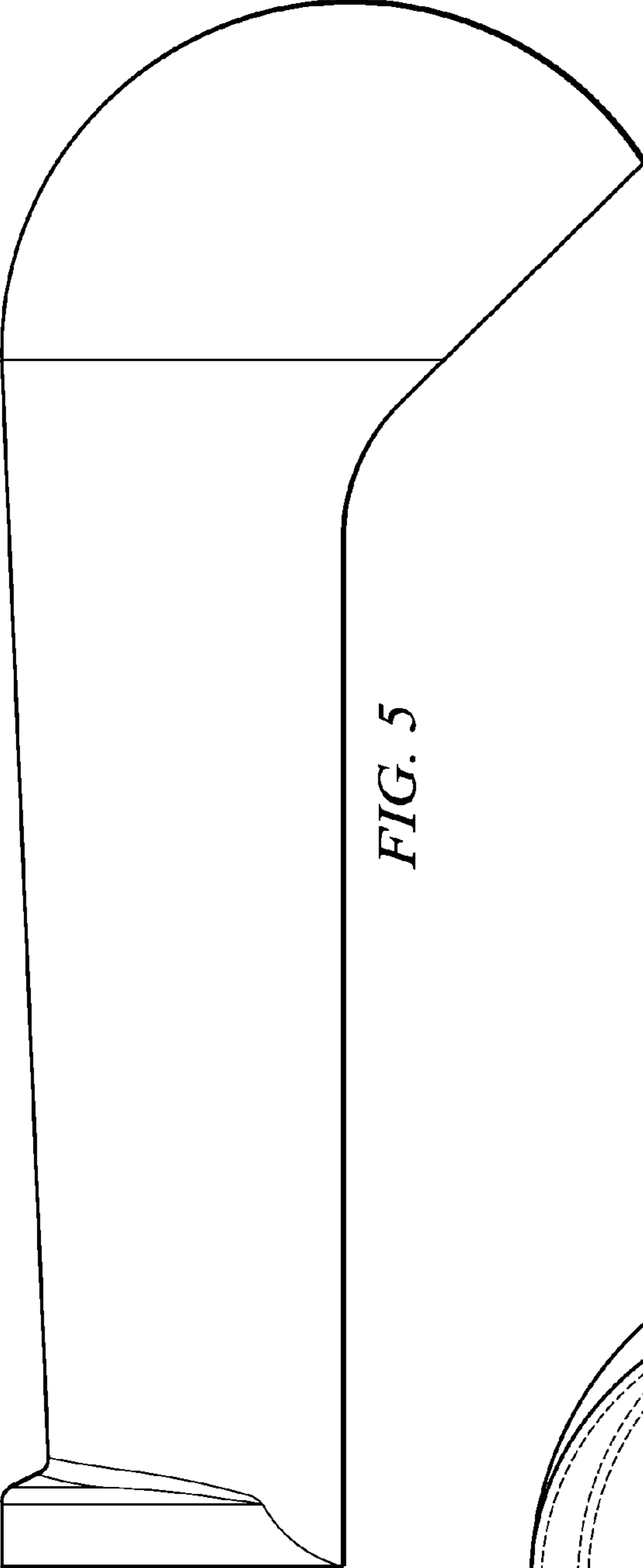


FIG. 5

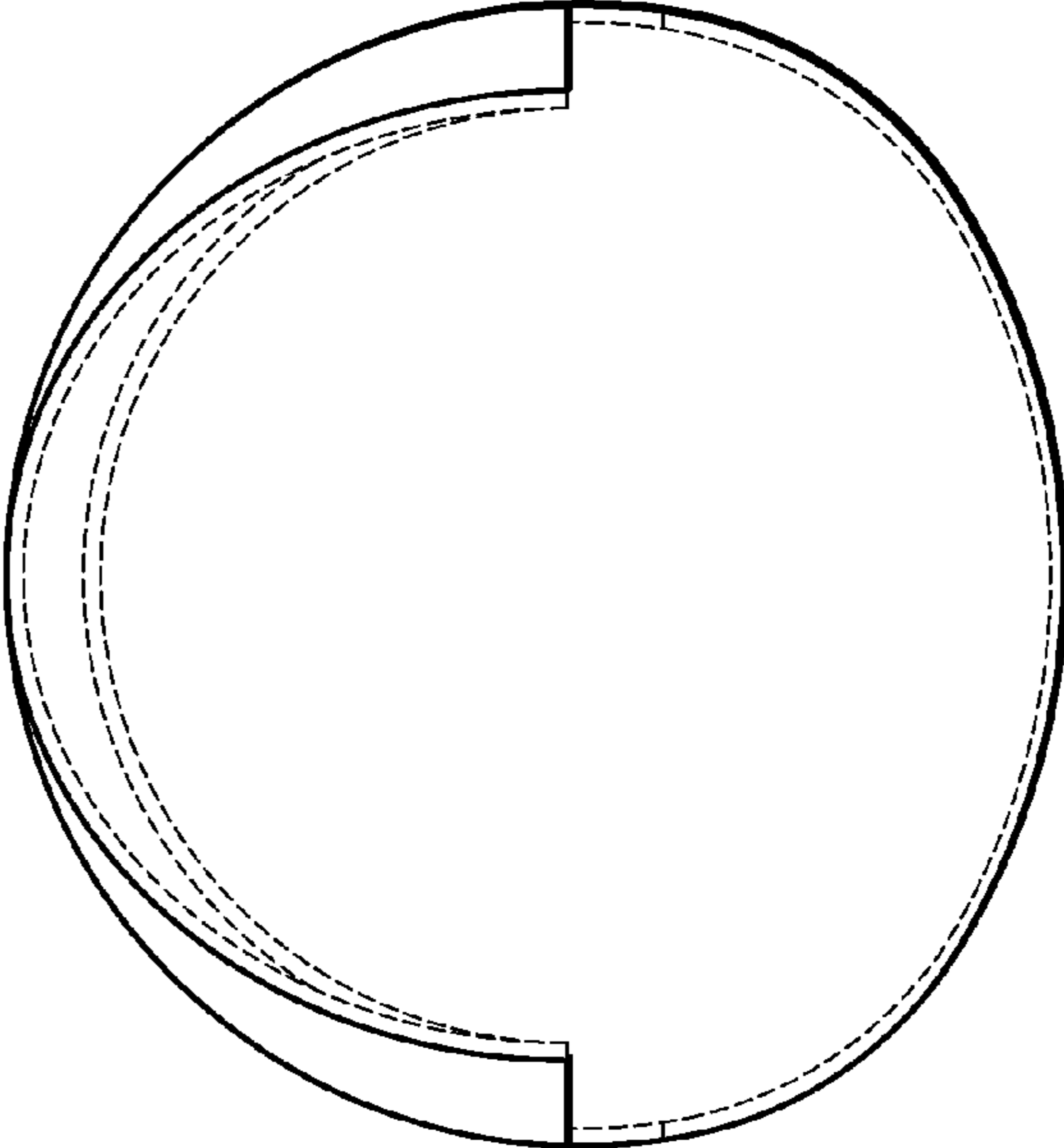


FIG. 6

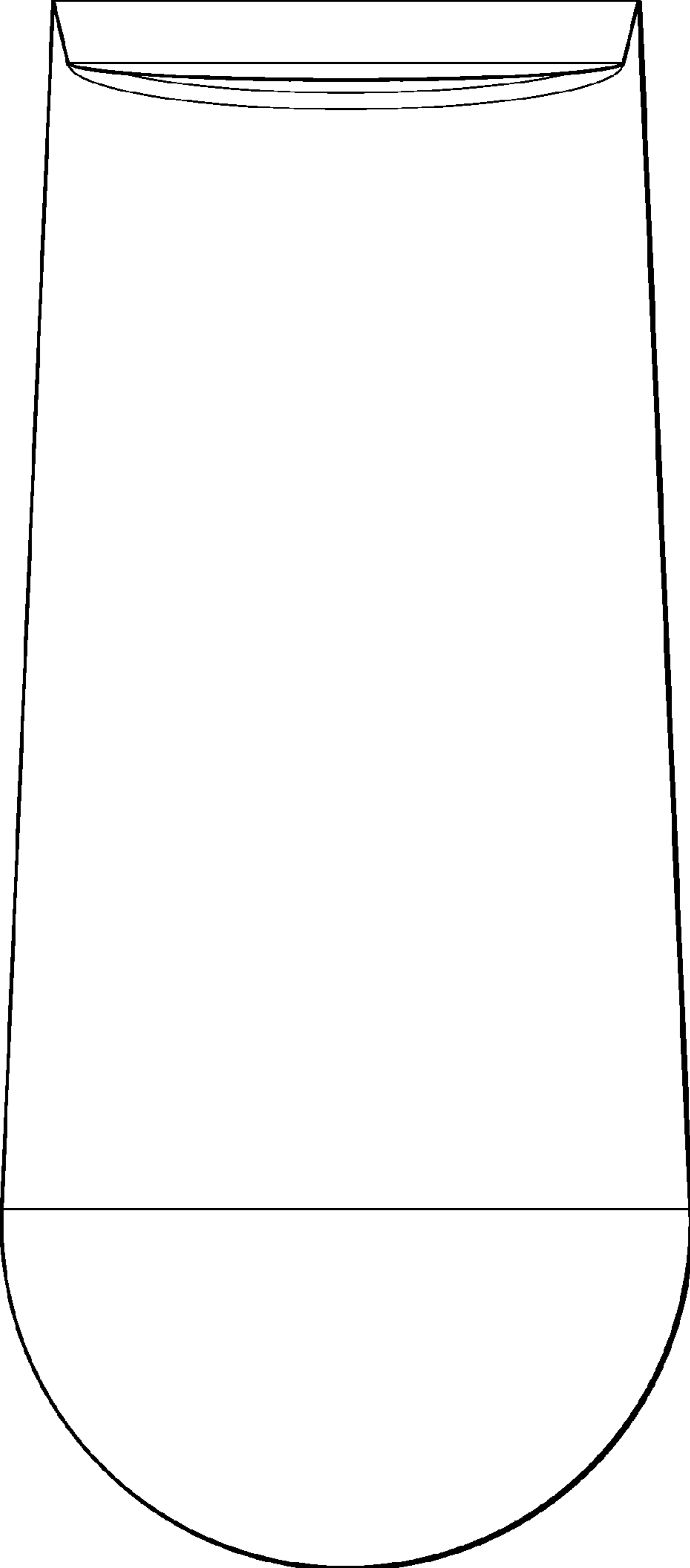


FIG. 7

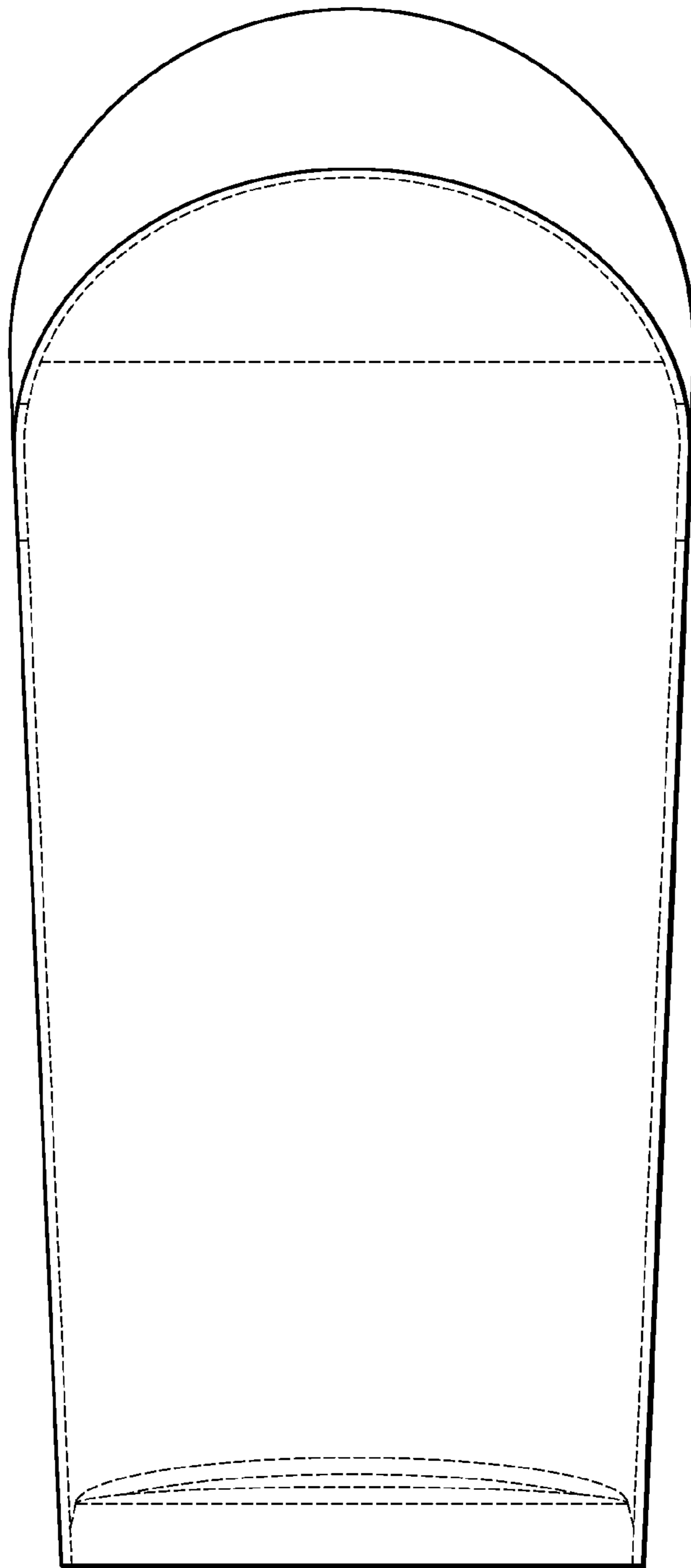


FIG. 8

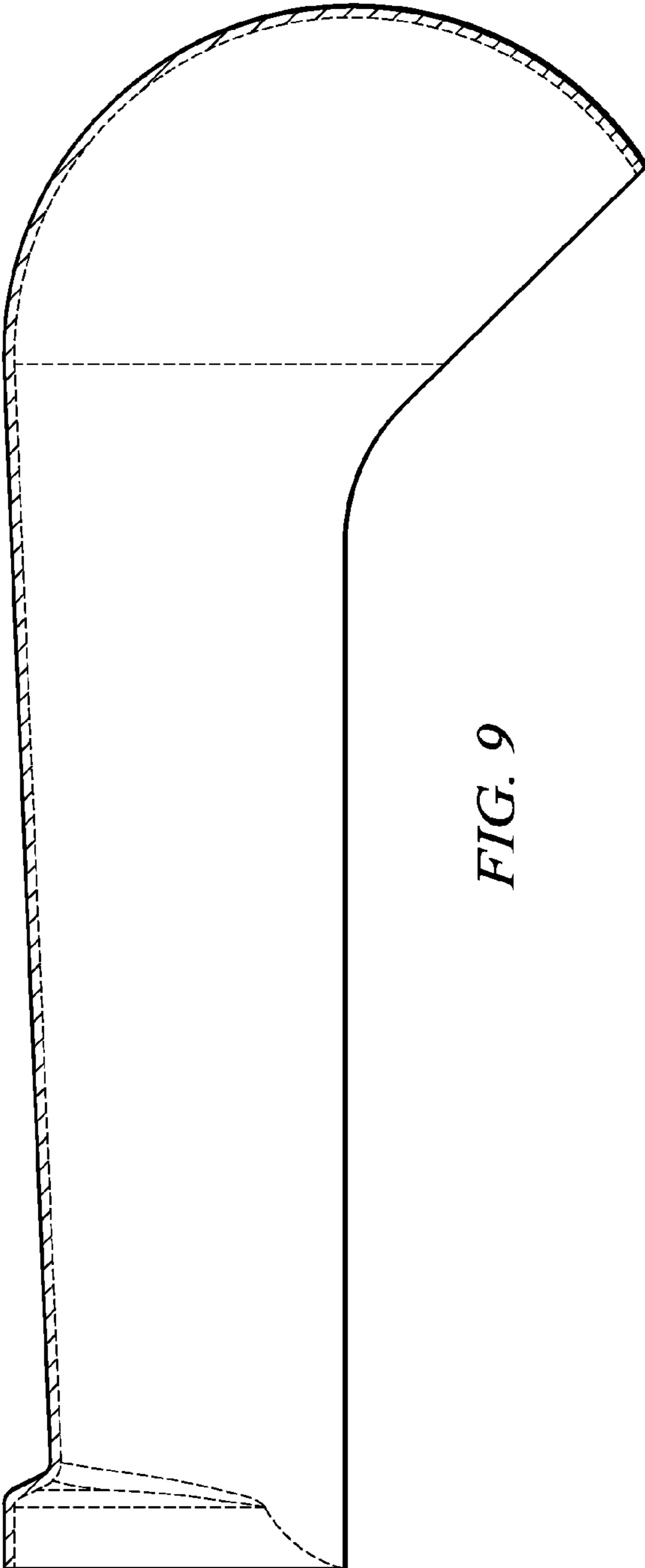


FIG. 9