



US00D637314S

(12) **United States Design Patent**
Zeff

(10) **Patent No.:** **US D637,314 S**

(45) **Date of Patent:** **** May 3, 2011**

(54) **PANEL**

(75) Inventor: **Bradley J. Zeff**, Zeeland, MI (US)

(73) Assignee: **Hotz, LLC**, Holland, MI (US)

(**) Term: **14 Years**

(21) Appl. No.: **29/356,761**

(22) Filed: **Mar. 2, 2010**

(51) **LOC (9) Cl.** **25-01**

(52) **U.S. Cl.** **D25/119; D25/138**

(58) **Field of Classification Search** D25/138,
D25/119; 52/540, 506.01, 563, 506.1
See application file for complete search history.

(56) **References Cited**

U.S. PATENT DOCUMENTS

2,851,134	A *	9/1958	Robinson, Jr.	52/506.1
3,218,772	A	11/1965	Martin	
4,680,909	A *	7/1987	Stewart	52/409
5,191,745	A	3/1993	Story	
5,544,461	A	8/1996	Sommerstein	
5,636,489	A	6/1997	Leverrier et al.	
5,918,437	A *	7/1999	Dobija	52/506.01
6,289,647	B1	9/2001	Sjölander	
6,347,495	B1	2/2002	Conterno	
6,421,974	B1	7/2002	Whitehouse et al.	
6,425,218	B1	7/2002	Doyon et al.	
6,694,694	B2	2/2004	Zeff	
D515,712	S *	2/2006	Poliacek et al.	D25/119

* cited by examiner

Primary Examiner — Doris Clark

(74) *Attorney, Agent, or Firm* — Price, Heneveld, Cooper, DeWitt & Litton, LLP

(57) **CLAIM**

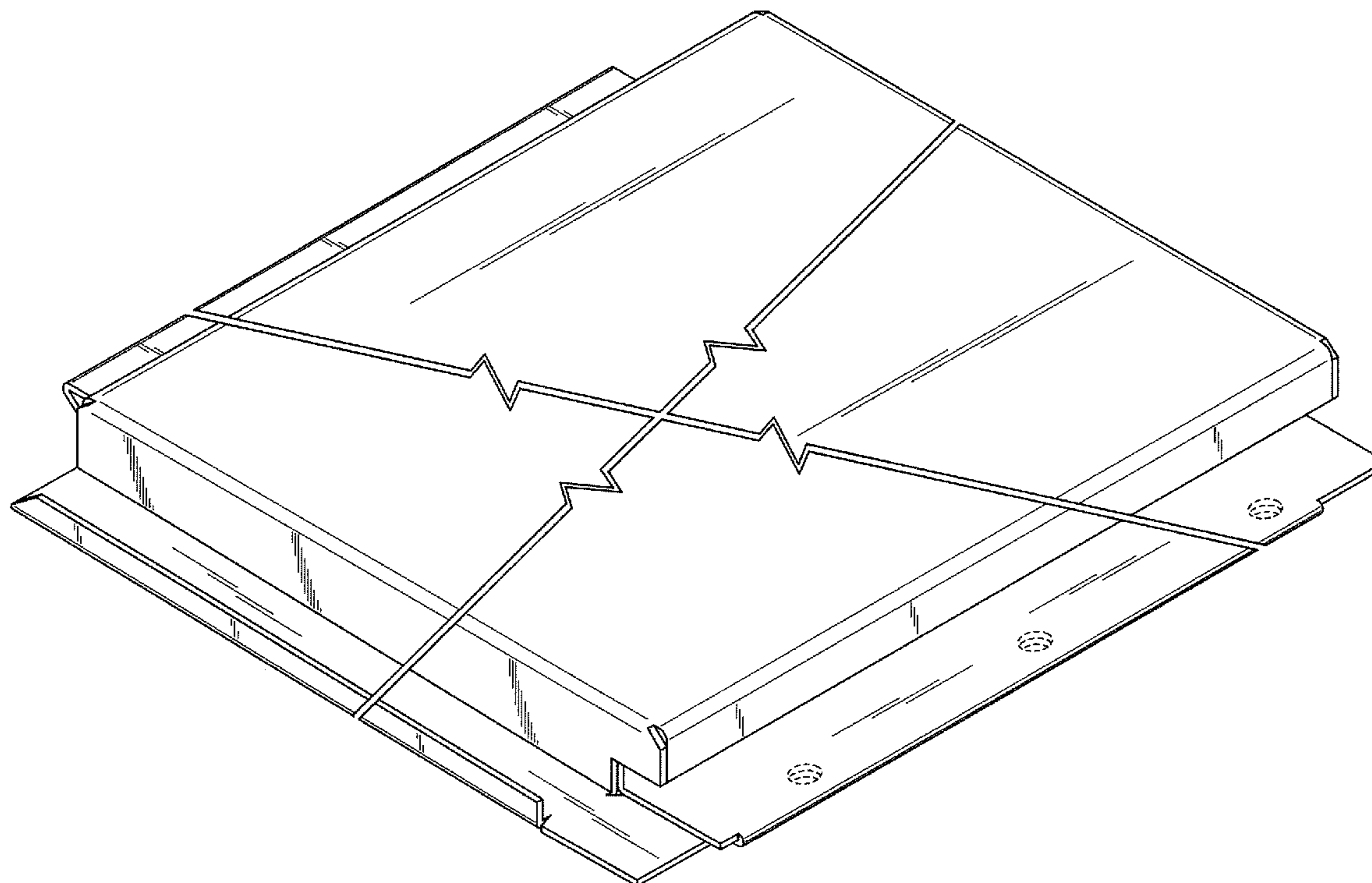
I claim the ornamental design for the panel, as shown and described.

DESCRIPTION

FIG. 1 is a front perspective view of a panel embodying a first embodiment of the present invention;
 FIG. 2 is a rear perspective view thereof;
 FIG. 3 is a front view thereof;
 FIG. 4 is a left view thereof;
 FIG. 5 is a bottom side view thereof;
 FIG. 6 is a right side view thereof;
 FIG. 7 is a top view thereof;
 FIG. 8 is a rear view thereof;
 FIG. 9 is a front perspective view of a panel embodying a second embodiment of the present invention;
 FIG. 10 is a rear perspective view thereof;
 FIG. 11 is a front view thereof;
 FIG. 12 is a left view thereof;
 FIG. 13 is a bottom side view thereof;
 FIG. 14 is a right side view thereof;
 FIG. 15 is a top view thereof; and
 FIG. 16 is a rear view thereof.

The broken lines in FIGS. 1-16 are to show the environment of the present invention and to show that the panel is of indeterminable length, width and/or thickness, but do not form a part of the claimed design.

1 Claim, 10 Drawing Sheets



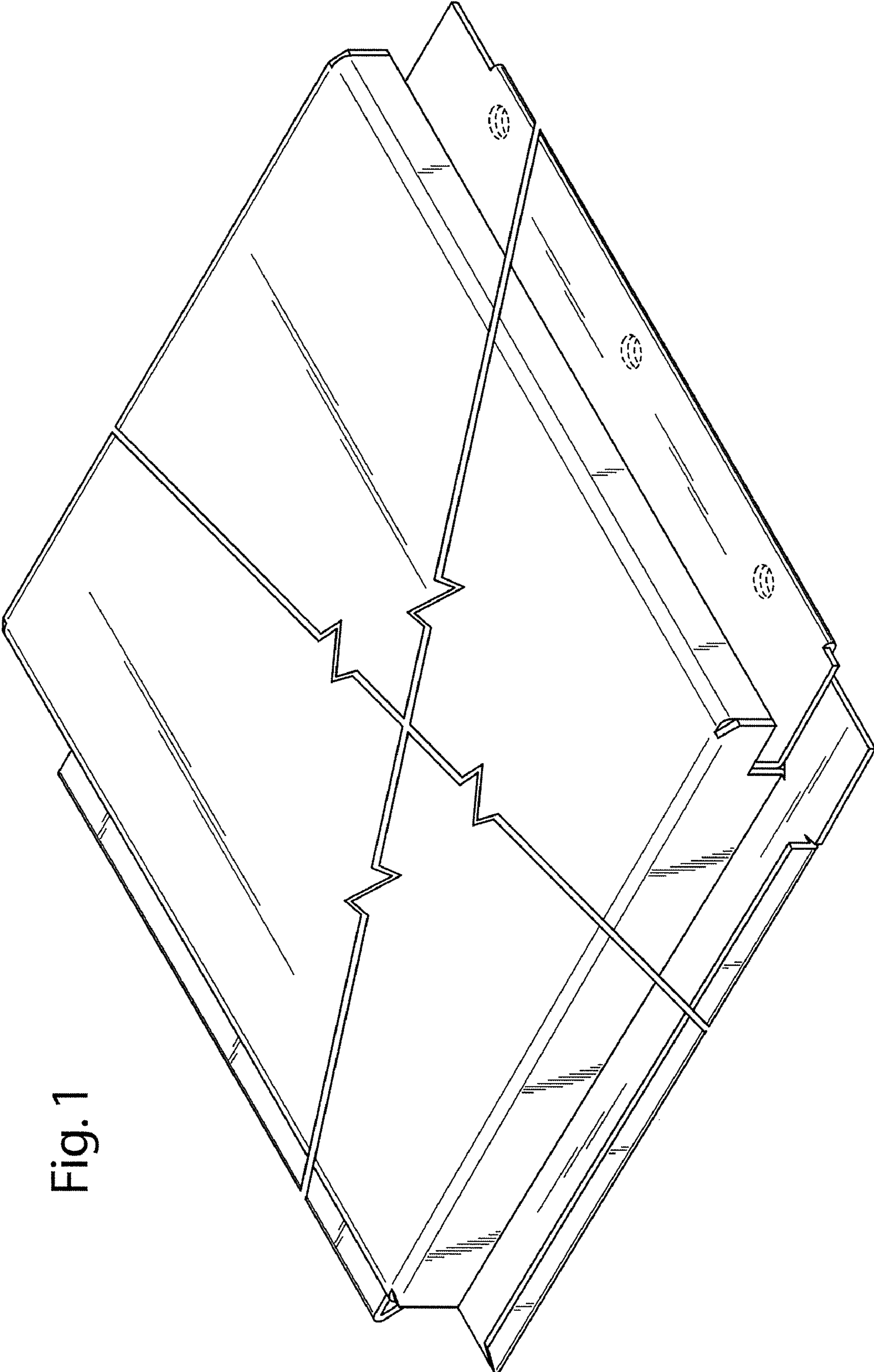


Fig. 1

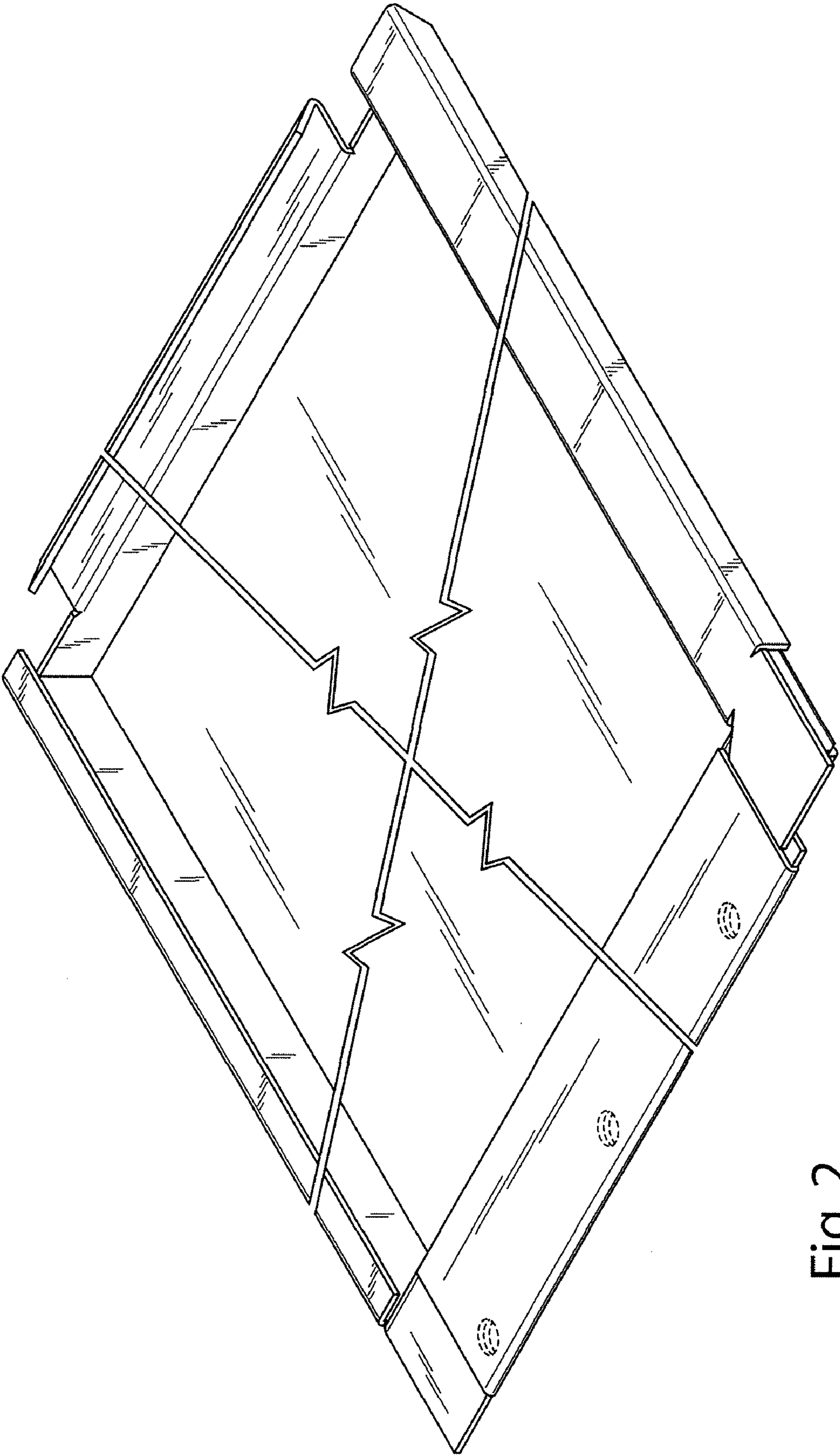


Fig. 2

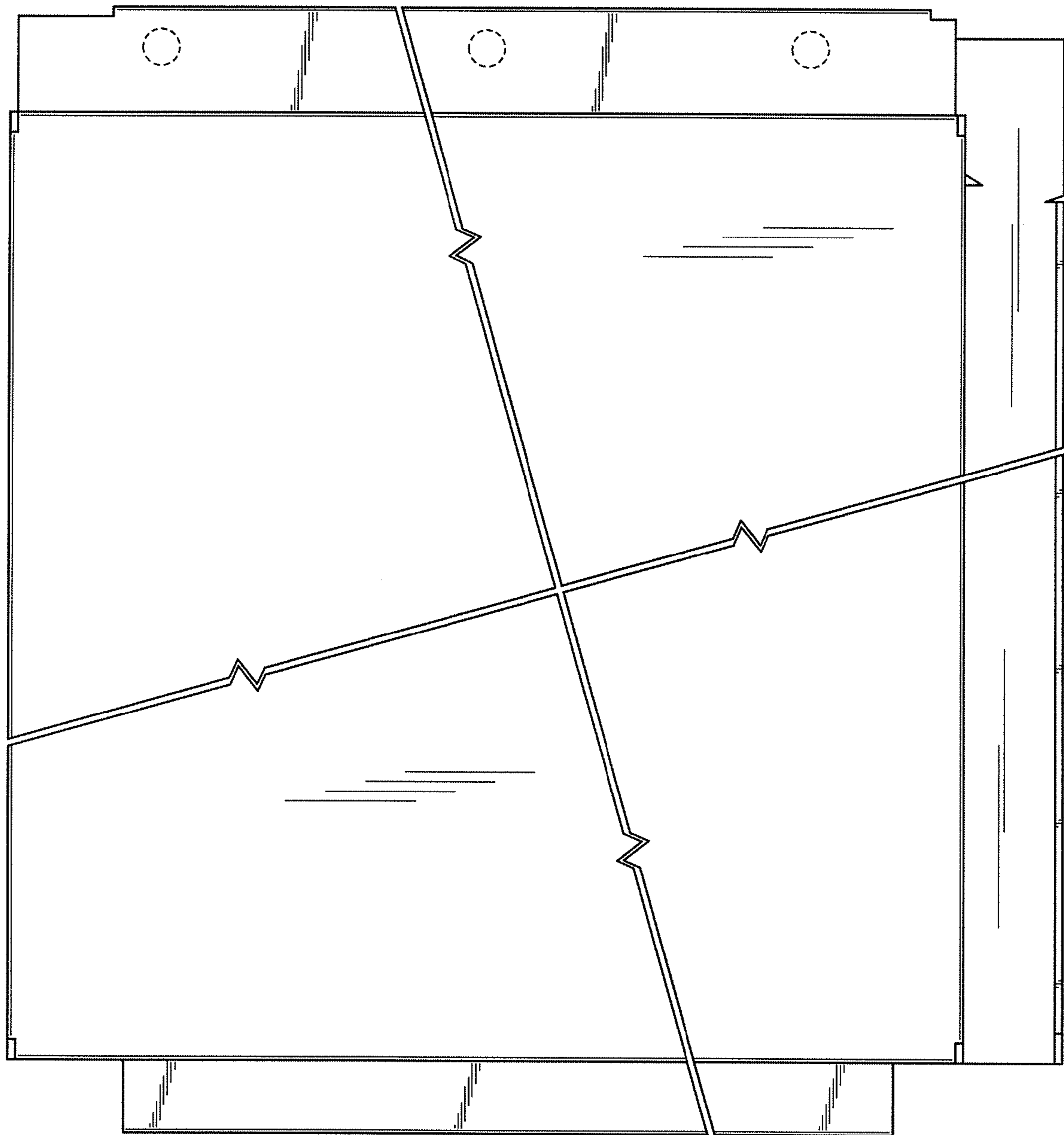


Fig. 3

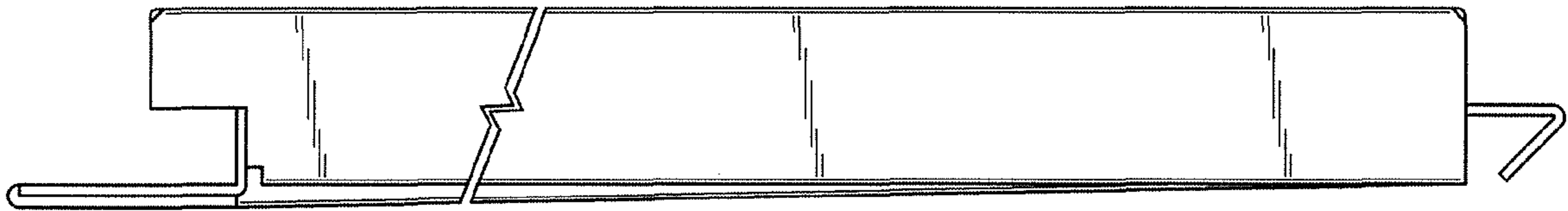


Fig. 4

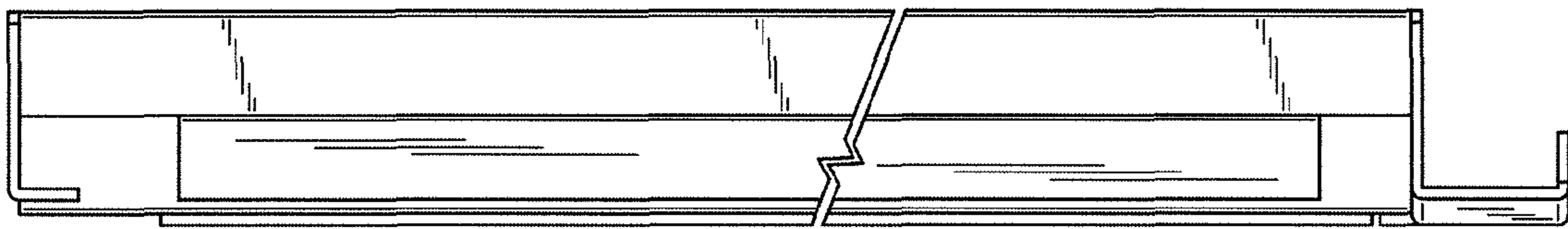


Fig. 5

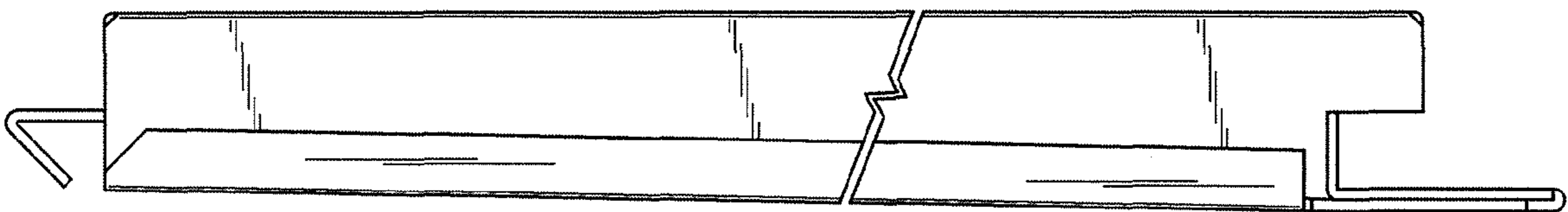


Fig. 6

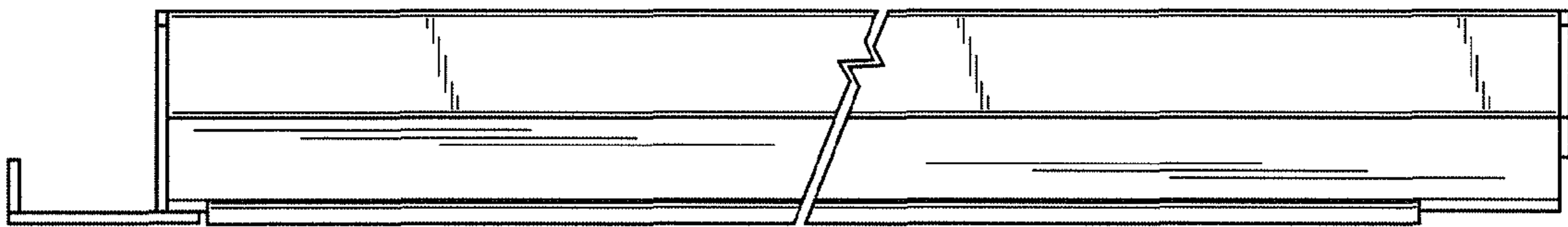


Fig. 7

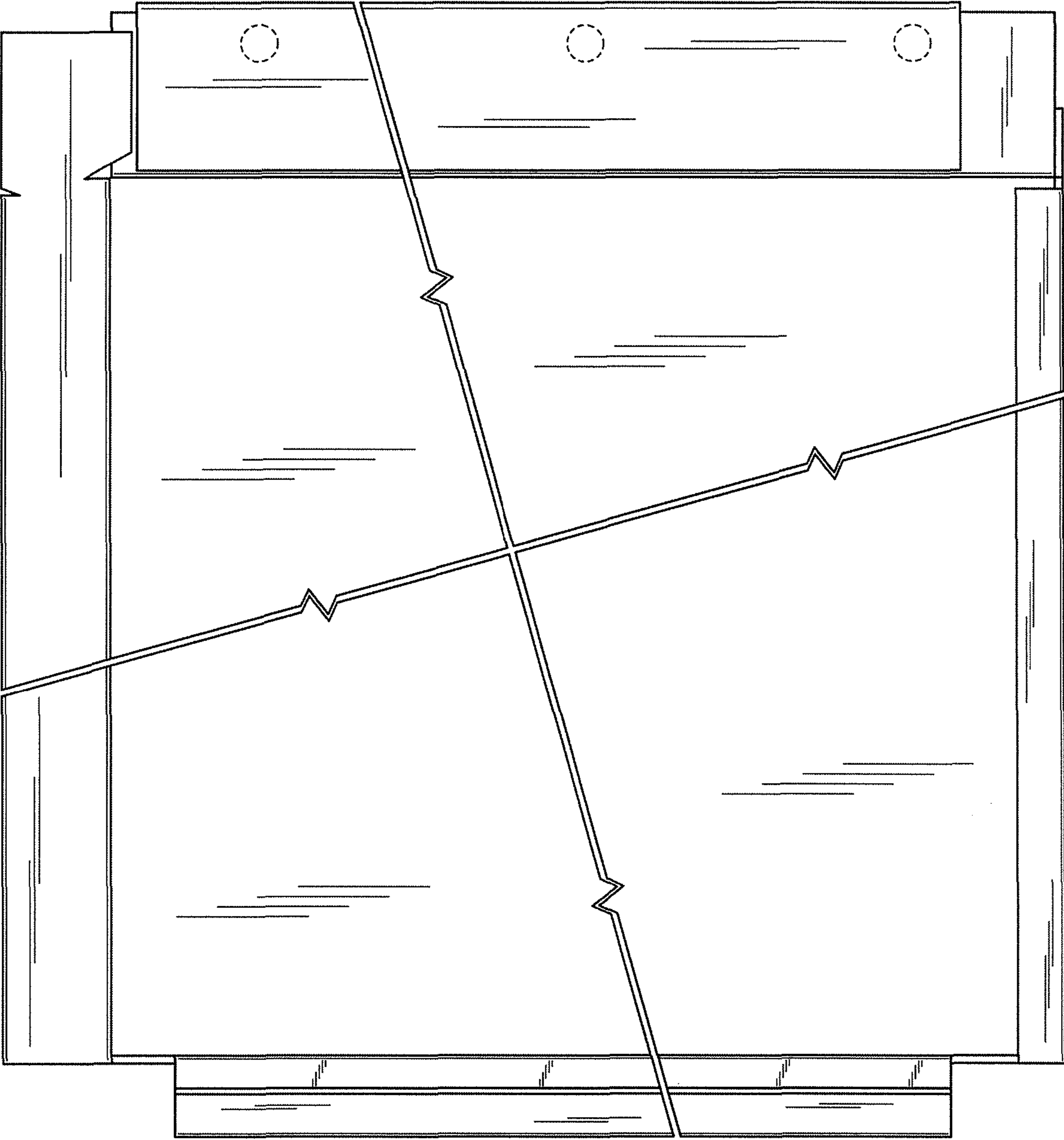


Fig. 8

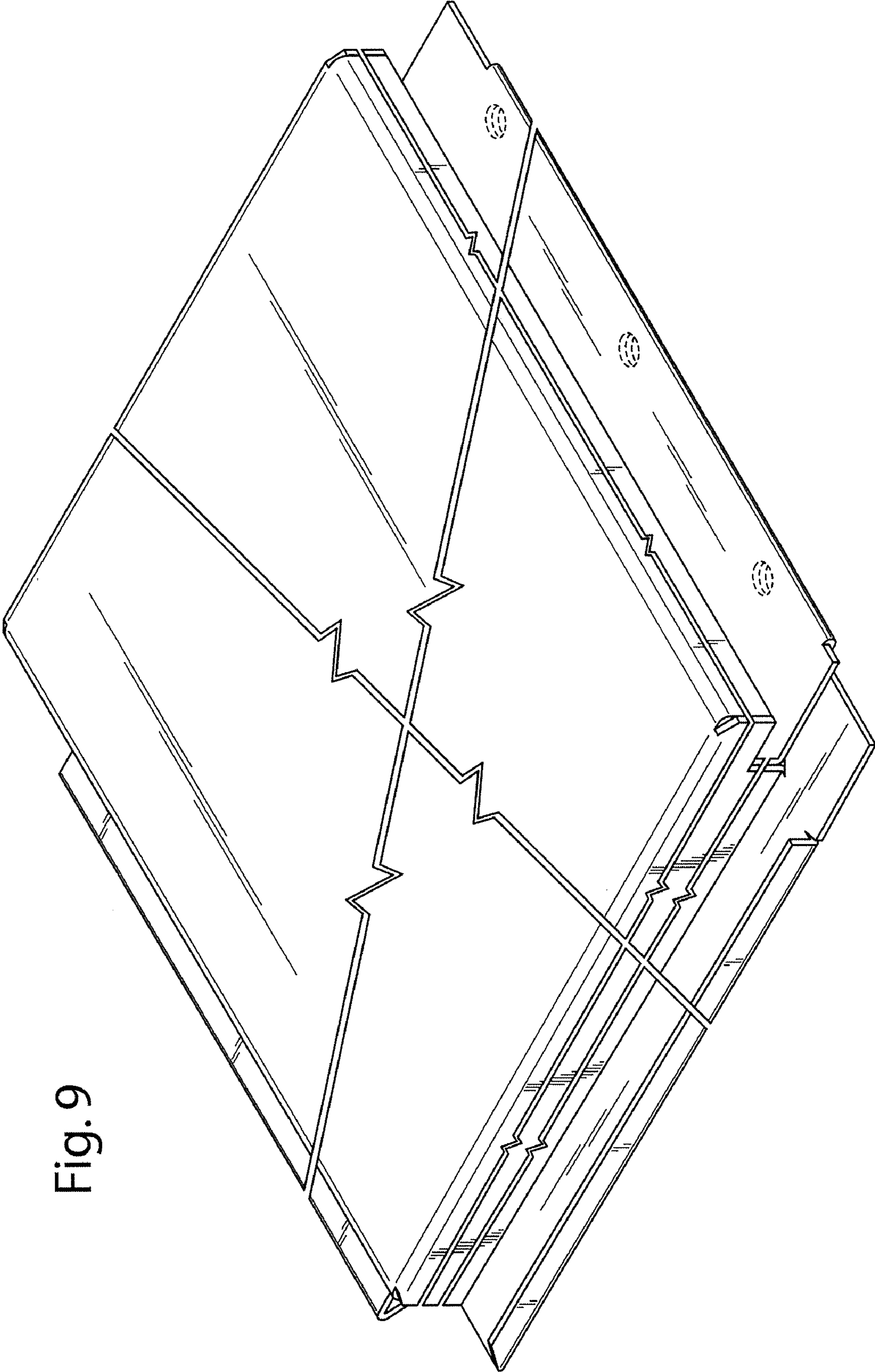


Fig. 9

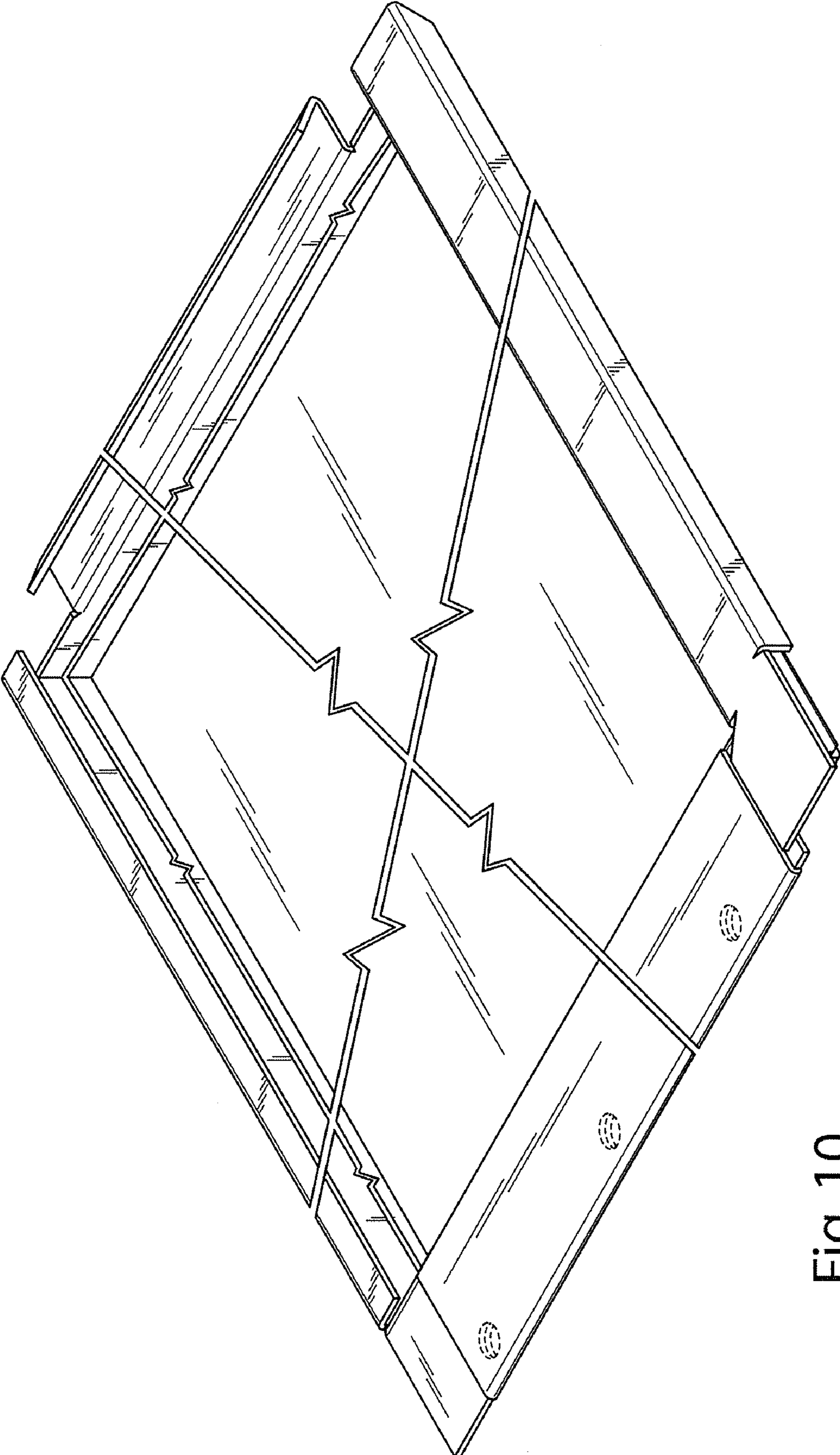


Fig. 10

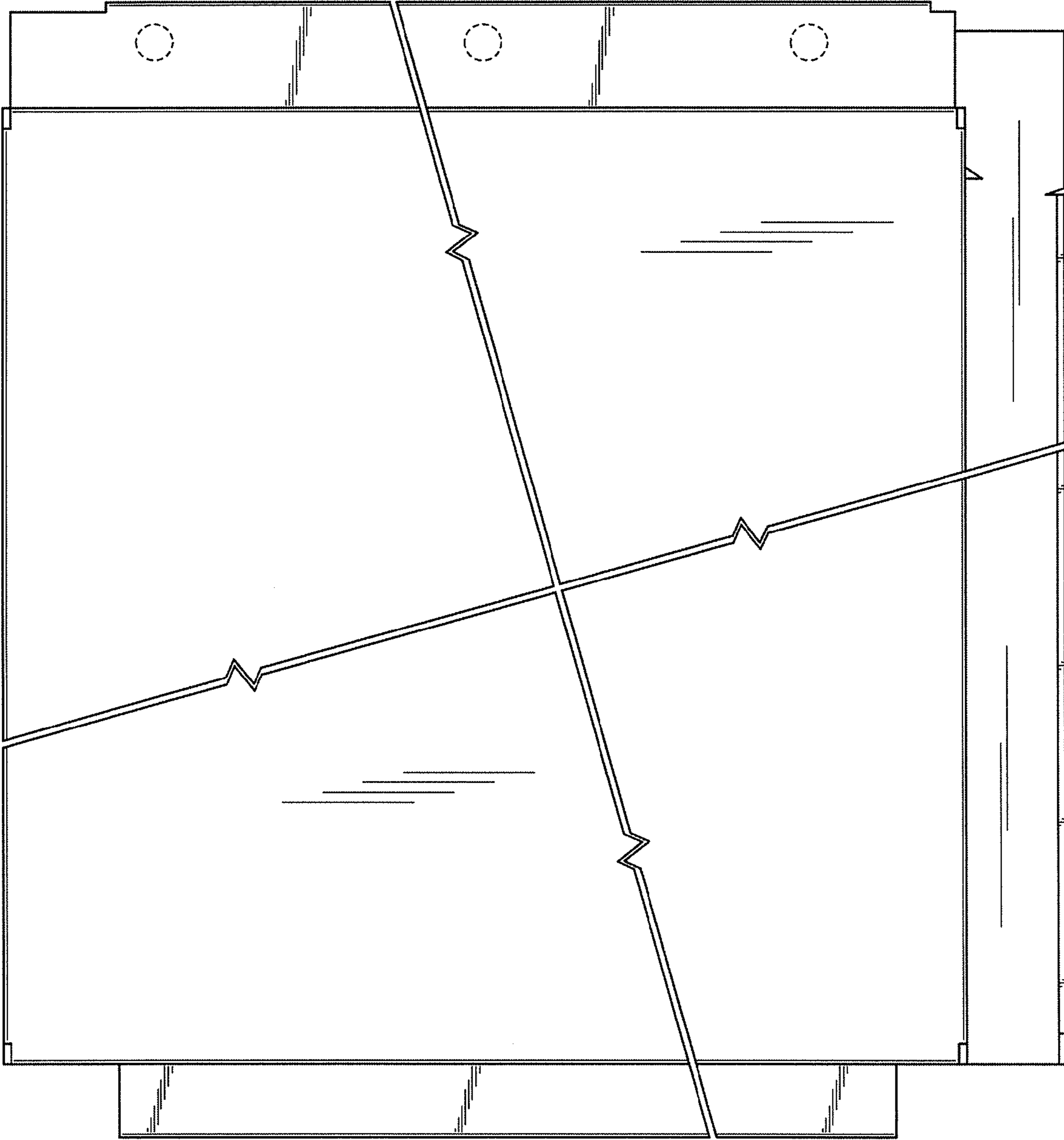


Fig. 11

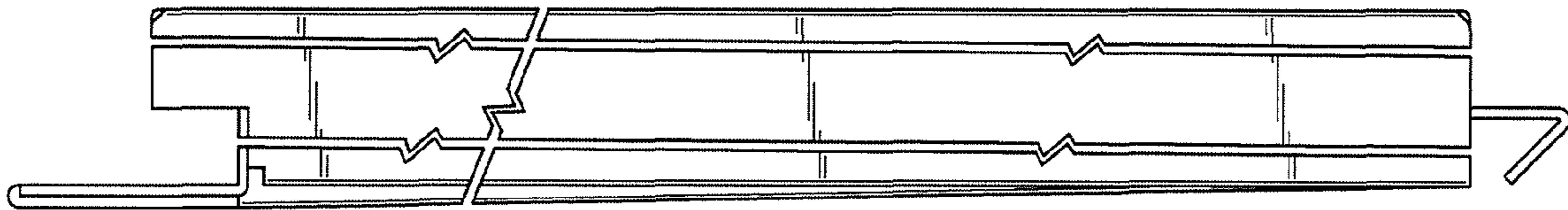


Fig. 12

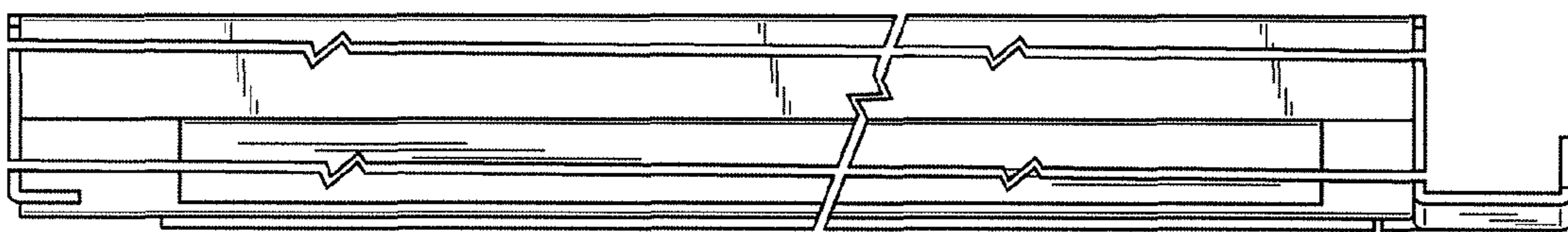


Fig. 13

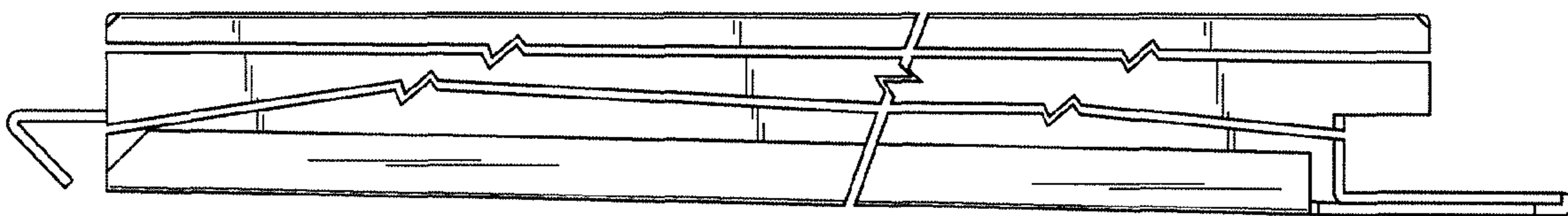


Fig. 14

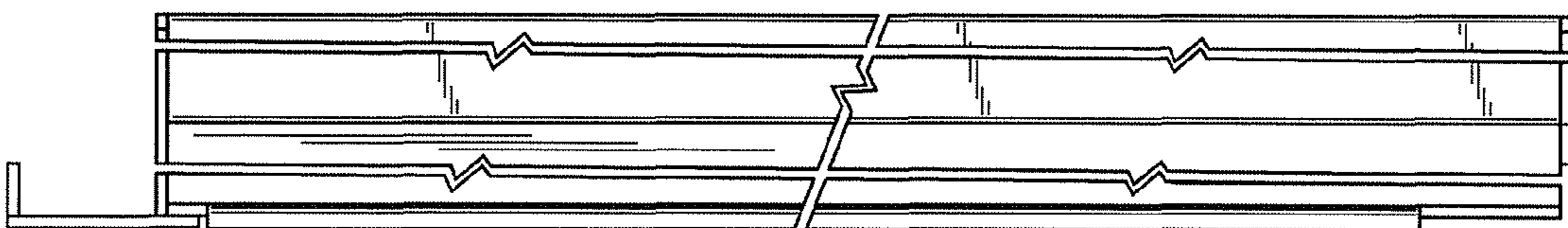


Fig. 15

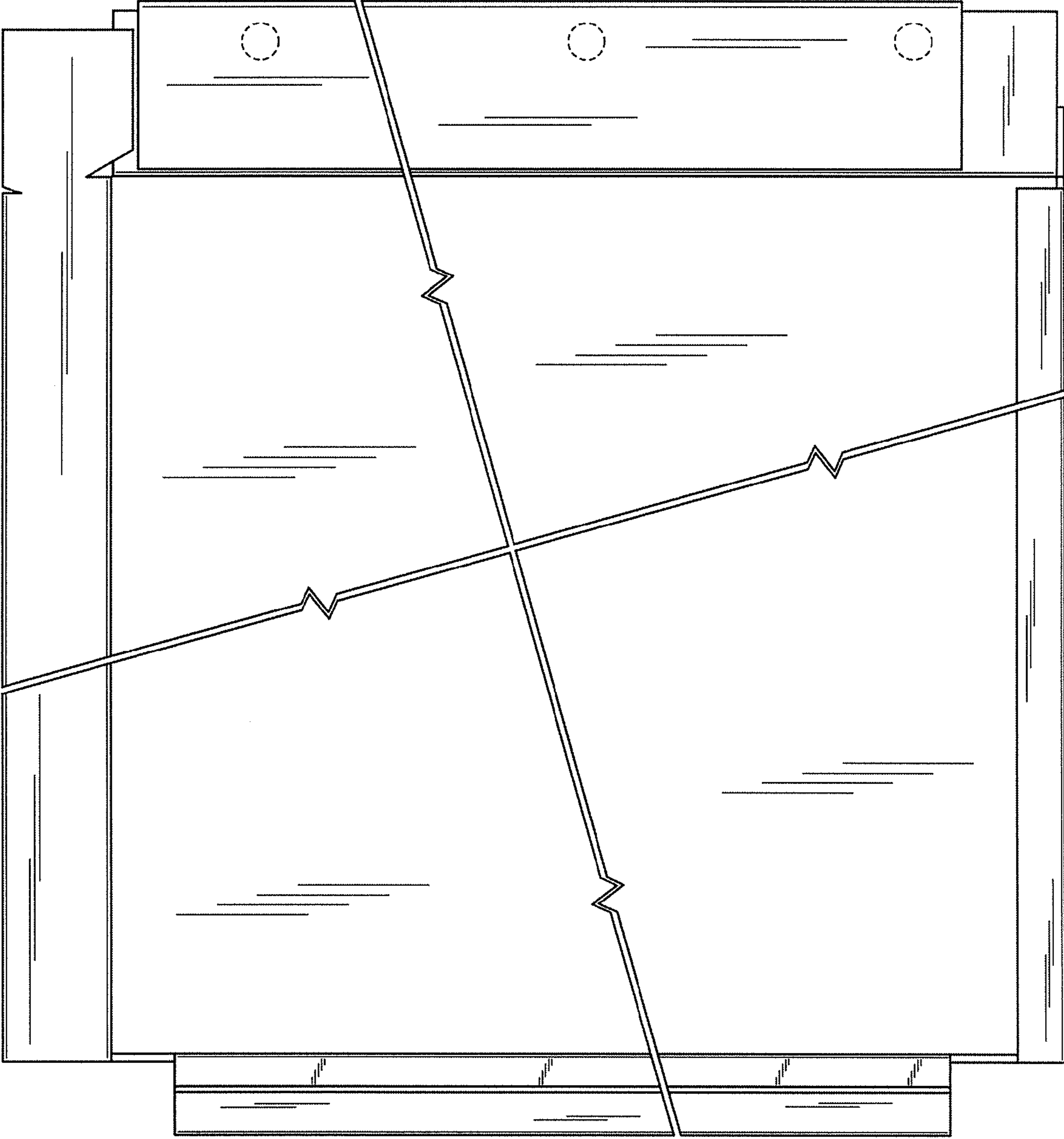


Fig. 16