



US00D637312S

(12) **United States Design Patent**  
**Isobe et al.**

(10) **Patent No.:** **US D637,312 S**  
(45) **Date of Patent:** **\*\* May 3, 2011**

(54) **PORTION OF A HOLDER FOR TEST TUBE**

(75) Inventors: **Tetsuya Isobe**, Hitachinaka (JP);  
**Tatsuya Fukugaki**, Hitachinaka (JP);  
**Hiroshi Ohga**, Hitachiomiya (JP)

(73) Assignee: **Hitachi High-Technologies Corporation**, Tokyo (JP)

(\*\*) Term: **14 Years**

(21) Appl. No.: **29/365,386**

(22) Filed: **Jul. 8, 2010**

(30) **Foreign Application Priority Data**

Mar. 12, 2010 (JP) ..... 2010-006091

(51) **LOC (9) Cl.** ..... **24-02**

(52) **U.S. Cl.** ..... **D24/227**

(58) **Field of Classification Search** ..... D24/108,  
D24/127-130, 224-232, 216, 218; D8/29;  
D15/140; D23/259, 262; 422/250, 266,  
422/297, 300, 476

See application file for complete search history.

(56) **References Cited**

**U.S. PATENT DOCUMENTS**

D249,956 S *	10/1978	Potts	.....	D24/232
D282,206 S *	1/1986	Roy et al.	.....	D24/230
D288,483 S *	2/1987	Mora	.....	D24/230
D290,401 S *	6/1987	Bjorkman	.....	D24/227
D297,366 S *	8/1988	Hsei	.....	D24/226
D332,835 S *	1/1993	Antocci et al.	.....	D24/224
5,651,941 A	7/1997	Stark		
D413,677 S *	9/1999	Dumitrescu et al.	.....	D24/229
D414,273 S *	9/1999	Smith et al.	.....	D24/128
D420,747 S *	2/2000	Dumitrescu et al.	.....	D24/227
D453,572 S *	2/2002	Livecchi	.....	D24/224
D481,800 S *	11/2003	Niedbala et al.	.....	D24/216

D501,561 S *	2/2005	Smith	.....	D24/227
D501,562 S *	2/2005	Smith	.....	D24/230
D501,679 S *	2/2005	Smith	.....	D24/227
D501,680 S *	2/2005	Smith	.....	D24/230
D530,430 S *	10/2006	Dunbar	.....	D24/218
D555,800 S *	11/2007	Coulling et al.	.....	D24/224
D555,801 S *	11/2007	Coulling et al.	.....	D24/224
D595,420 S *	6/2009	Suzuki et al.	.....	D24/227
D595,421 S *	6/2009	Suzuki et al.	.....	D24/227
D595,862 S *	7/2009	Suzuki et al.	.....	D24/227
D595,863 S *	7/2009	Suzuki et al.	.....	D24/227
D603,524 S *	11/2009	Suzuki et al.	.....	D24/229

**FOREIGN PATENT DOCUMENTS**

JP D878497 9/1993

\* cited by examiner

*Primary Examiner* — T. Chase Nelson

*Assistant Examiner* — Mark Cavanna

(74) *Attorney, Agent, or Firm* — Antonelli, Terry, Stout & Kraus, LLP.

(57) **CLAIM**

We claim the ornamental design for a portion of a holder for test tube, as shown and described.

**DESCRIPTION**

FIG. 1 is a front, top and right side perspective view of a portion of a holder for test tube showing our new design;

FIG. 2 is a front elevational view thereof;

FIG. 3 is a rear elevational view thereof;

FIG. 4 is a top plan view thereof;

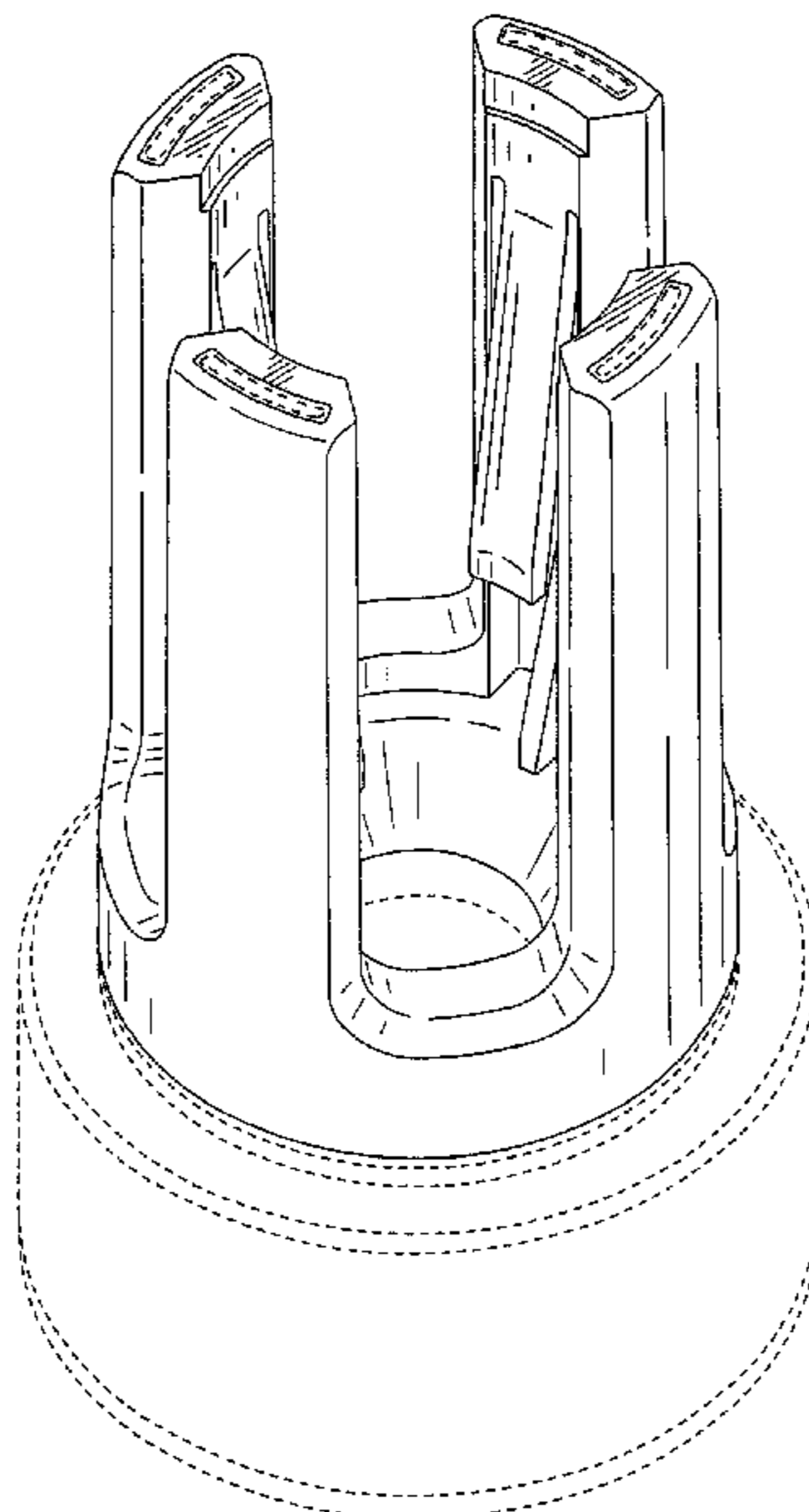
FIG. 5 is a bottom plan view thereof;

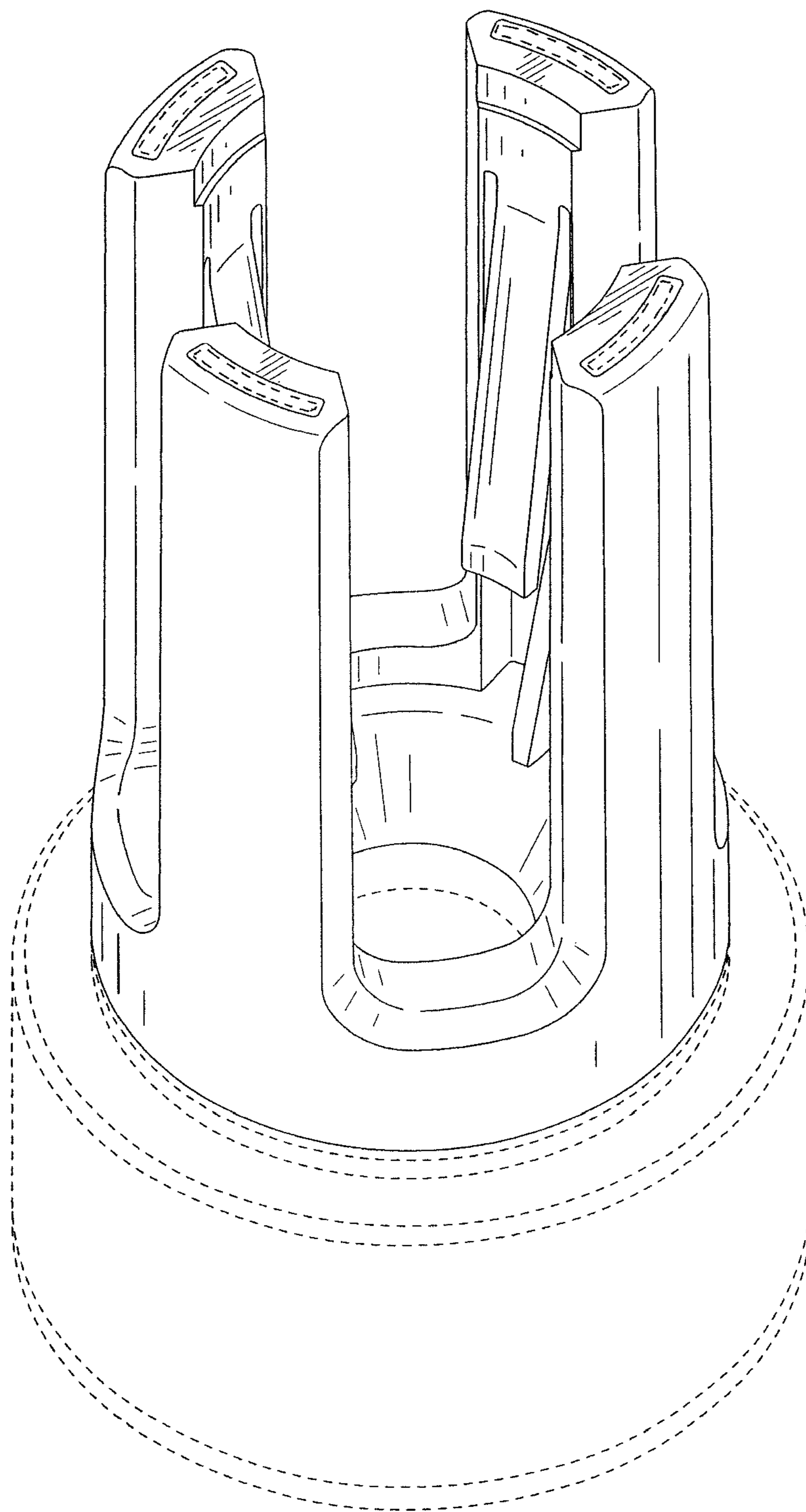
FIG. 6 is a left side elevational view thereof; and,

FIG. 7 is a right side elevational view thereof.

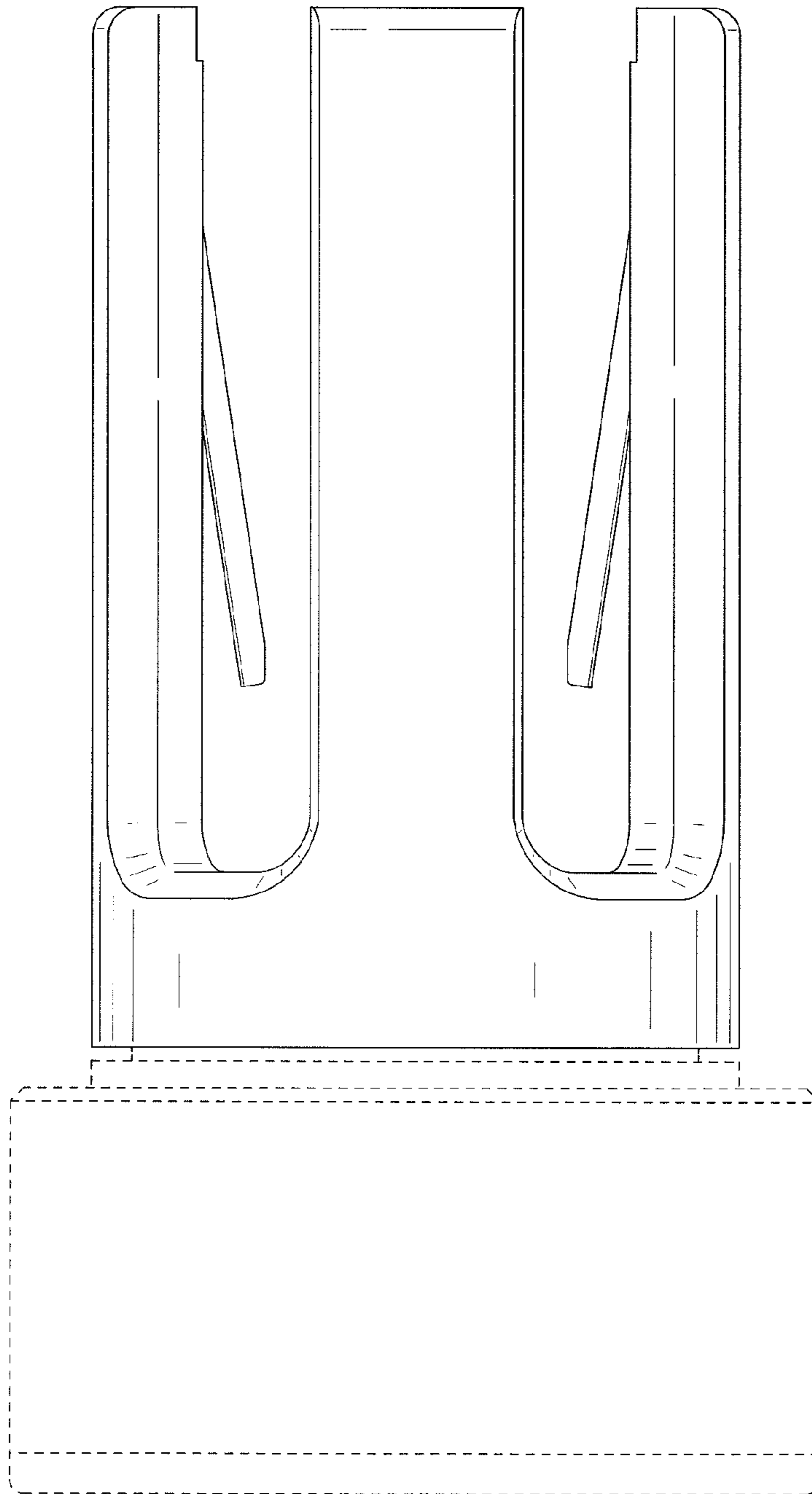
The broken lines are included for the purpose of illustrating portions of the portion of a holder for test tube that forms no part of the claimed design.

**1 Claim, 6 Drawing Sheets**

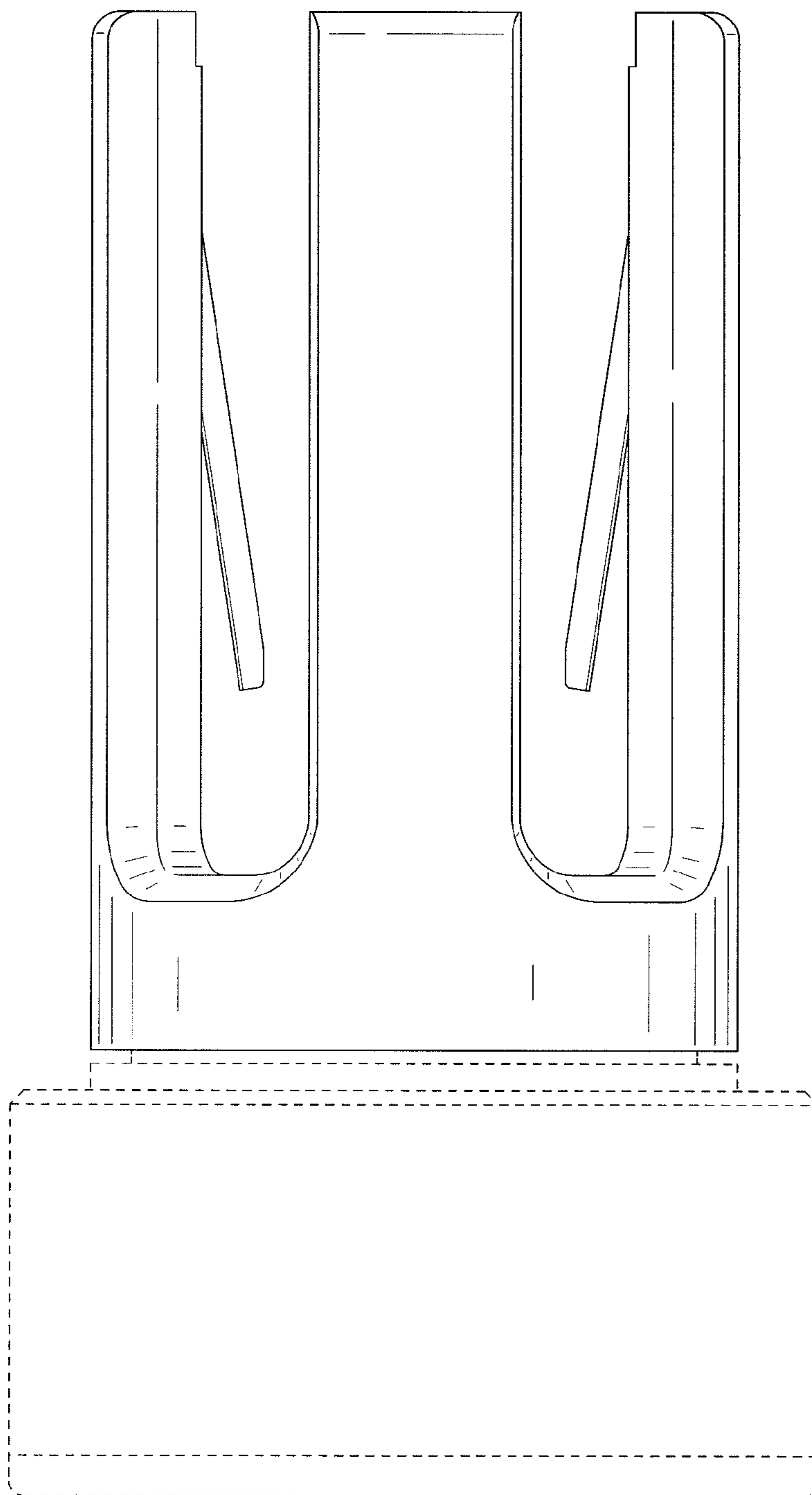




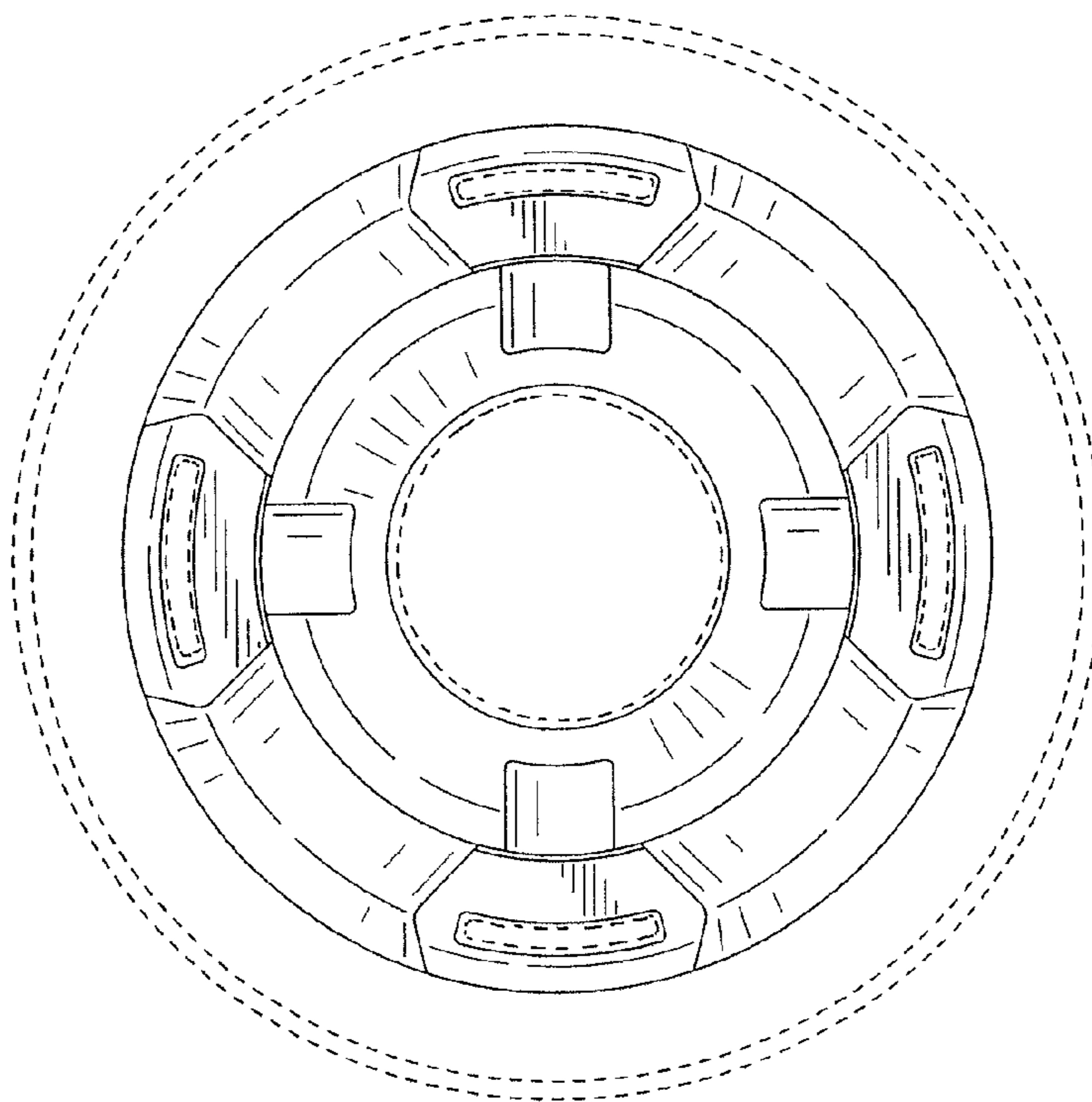
**FIG. 1**



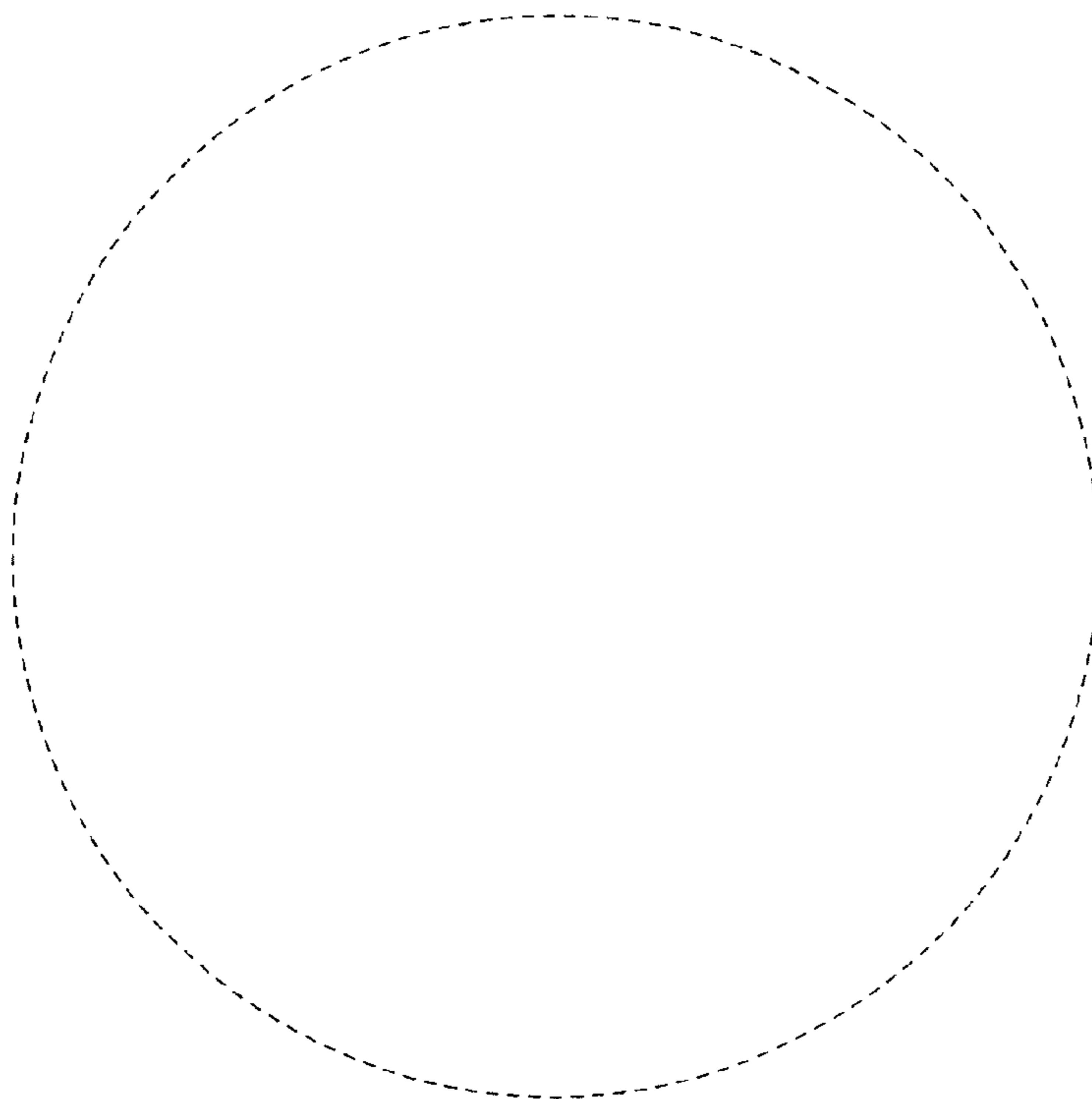
**FIG. 2**



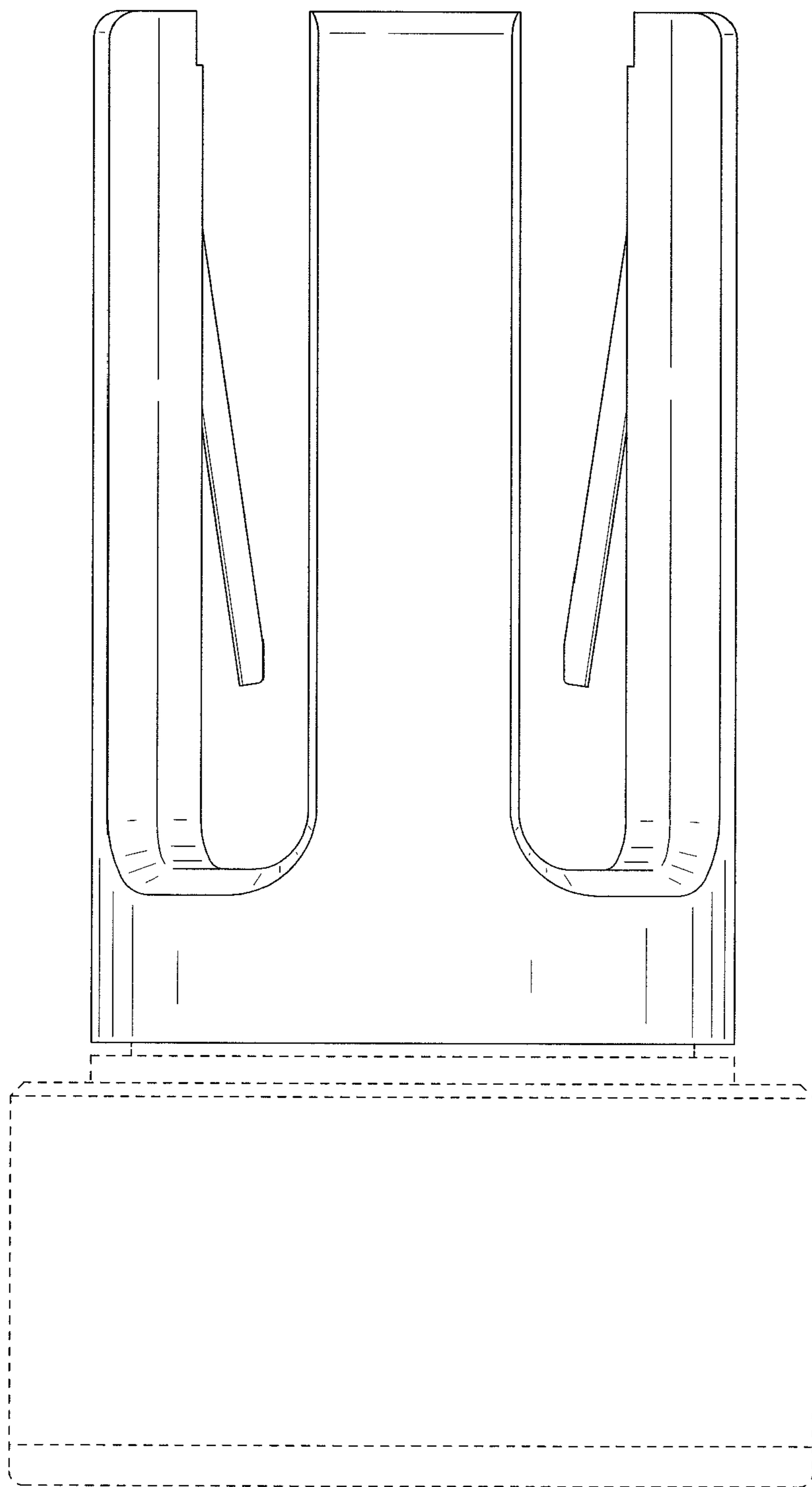
**FIG. 3**



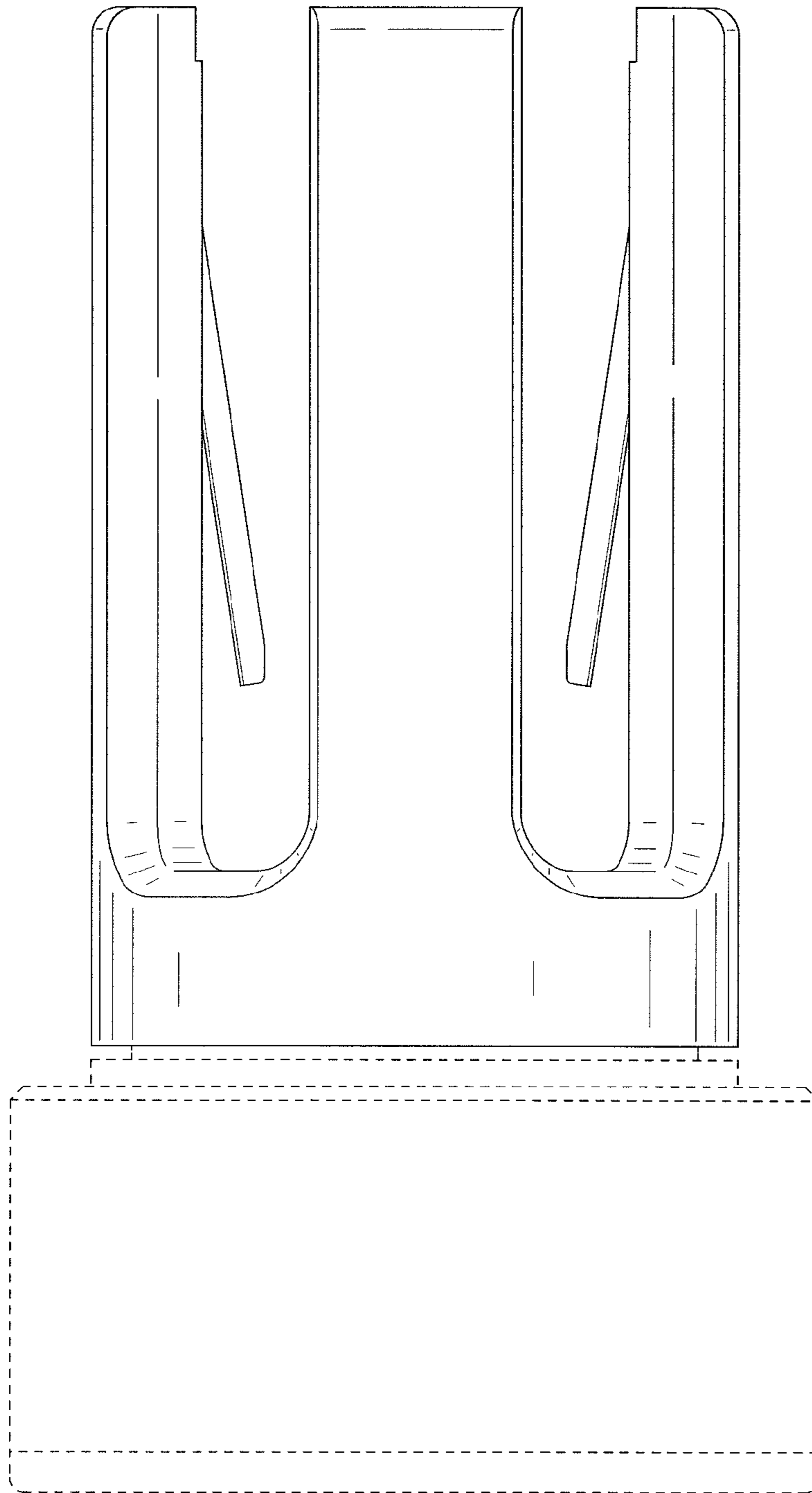
*FIG. 4*



*FIG. 5*



**FIG. 6**



*FIG. 7*