



US00D637310S

(12) **United States Design Patent**  
**Barbieux et al.**

(10) **Patent No.:** **US D637,310 S**

(45) **Date of Patent:** **\*\* May 3, 2011**

(54) **ASSAY DEVICE**

(75) Inventors: **Jonathan M. Barbieux**, Noisiel (FR);  
**Julien M. Velghe**, Lamorlaye (FR)

(73) Assignee: **Gilson SAS**, Villiers le Bel (FR)

(\*\*) Term: **14 Years**

(21) Appl. No.: **29/351,311**

(22) Filed: **Dec. 3, 2009**

(51) **LOC (9) Cl.** ..... **24-01**

(52) **U.S. Cl.** ..... **D24/216**

(58) **Field of Classification Search** ..... D24/216,  
D24/222-226, 227, 229, 231, 232, 169; D10/81;  
422/100, 62-67, 68.1

See application file for complete search history.

(56) **References Cited**

**U.S. PATENT DOCUMENTS**

D254,687 S *	4/1980	Fadler et al. ....	D24/216
D324,426 S *	3/1992	Fan et al. ....	D24/226
D382,647 S *	8/1997	Staples et al. ....	D24/216
D403,432 S *	12/1998	Geysen et al. ....	D24/225
D480,815 S *	10/2003	Ewing et al. ....	D24/226
D548,357 S *	8/2007	Barbera-Guillem .....	D24/216

\* cited by examiner

*Primary Examiner* — T. Chase Nelson

*Assistant Examiner* — Anhdao Doan

(74) *Attorney, Agent, or Firm* — Foley & Lardner LLP

(57) **CLAIM**

We claim the ornamental design for an assay device, as shown and described.

**DESCRIPTION**

FIG. 1 is a top perspective view of an assay device showing my new design;

FIG. 2 is a top view of the assay device shown in FIG. 1;

FIG. 3 is a bottom perspective view of the assay device shown in FIG. 1;

FIG. 4 is a bottom view of the assay device shown in FIG. 1;

FIG. 5 is a right side view of the assay device shown in FIG. 1;

FIG. 6 is a left side view of the assay device shown in FIG. 1;

FIG. 7 is a rear side view of the assay device shown in FIG. 1;

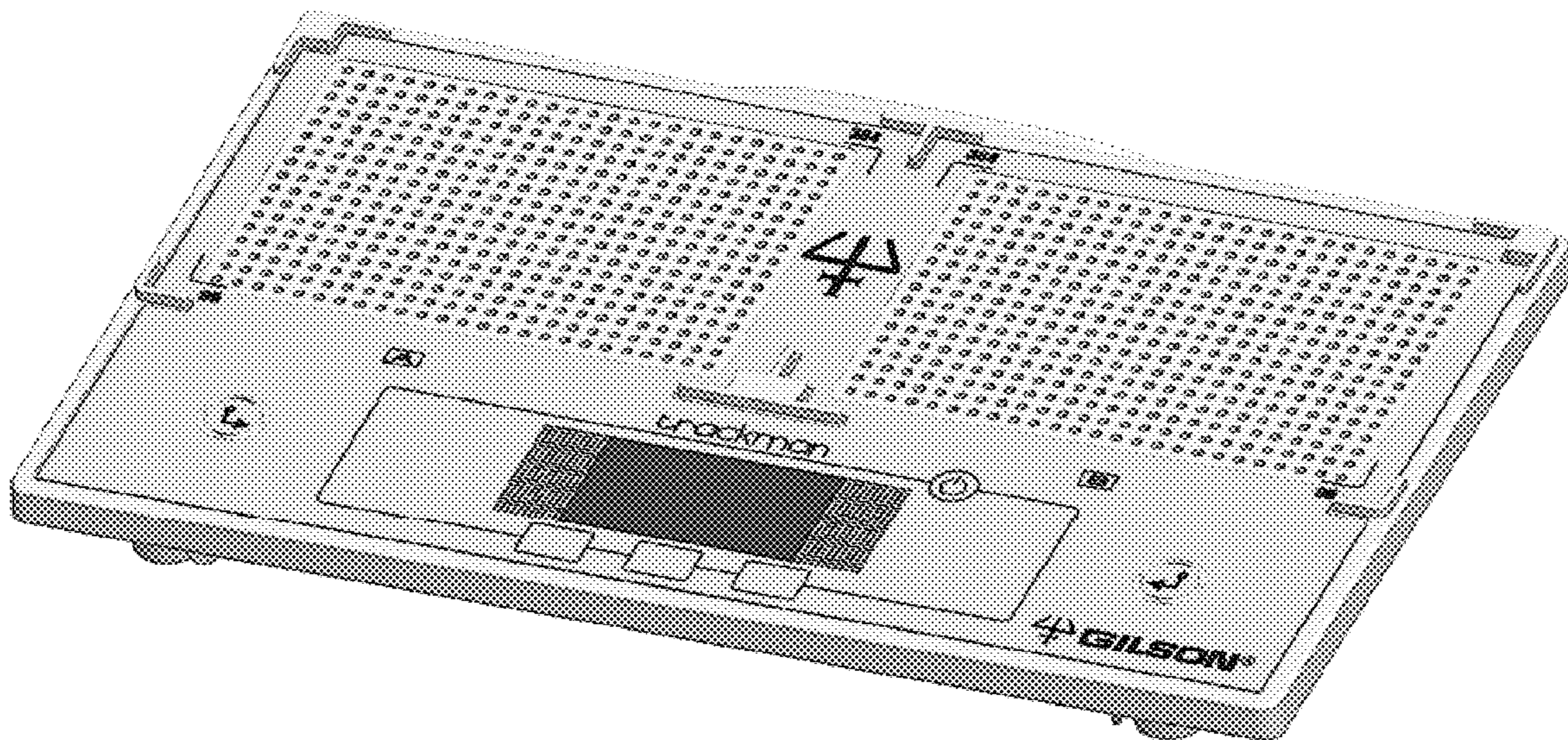
FIG. 8 is a front side view of the assay device shown in FIG. 1;

FIG. 9 is a right side view of the assay device shown in FIG. 1 inclined using brace of the assay device;

FIG. 10 is a rear side view of the assay device shown in FIG. 1 inclined using the brace of the assay device; and,

FIG. 11 is a front side view of the assay device shown in FIG. 1 inclined using the brace of the assay device.

**1 Claim, 11 Drawing Sheets**





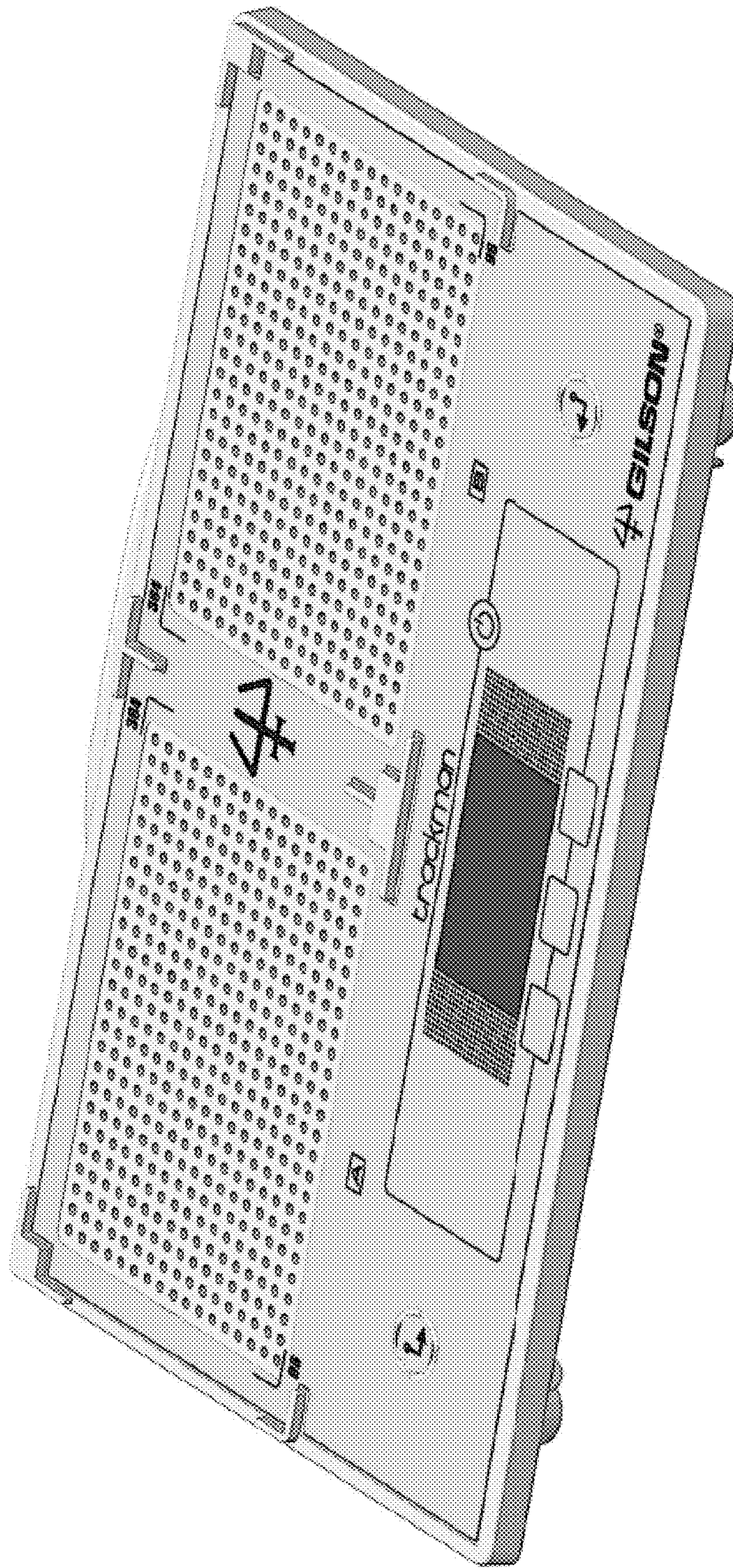


Fig. 1



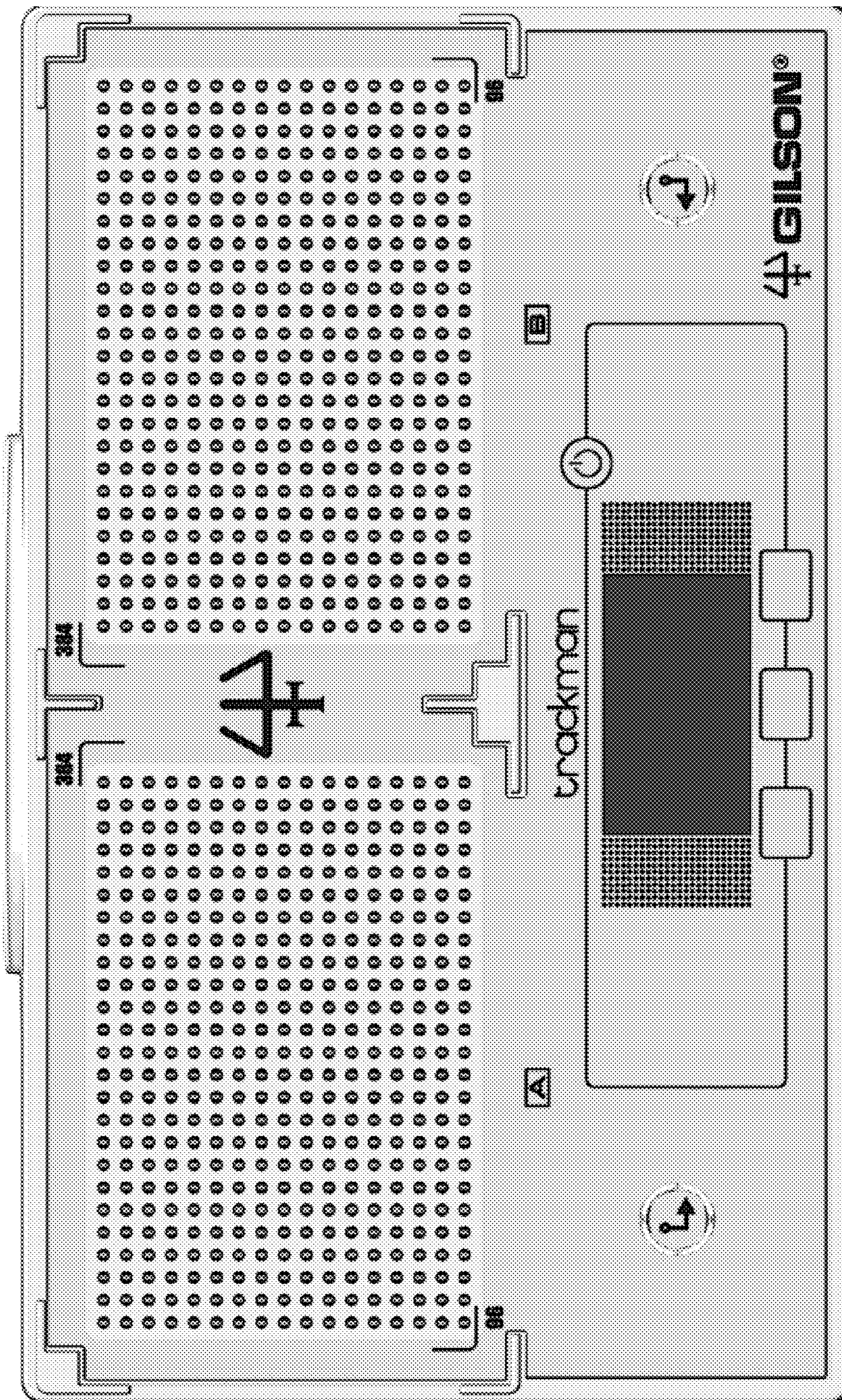


Fig. 2



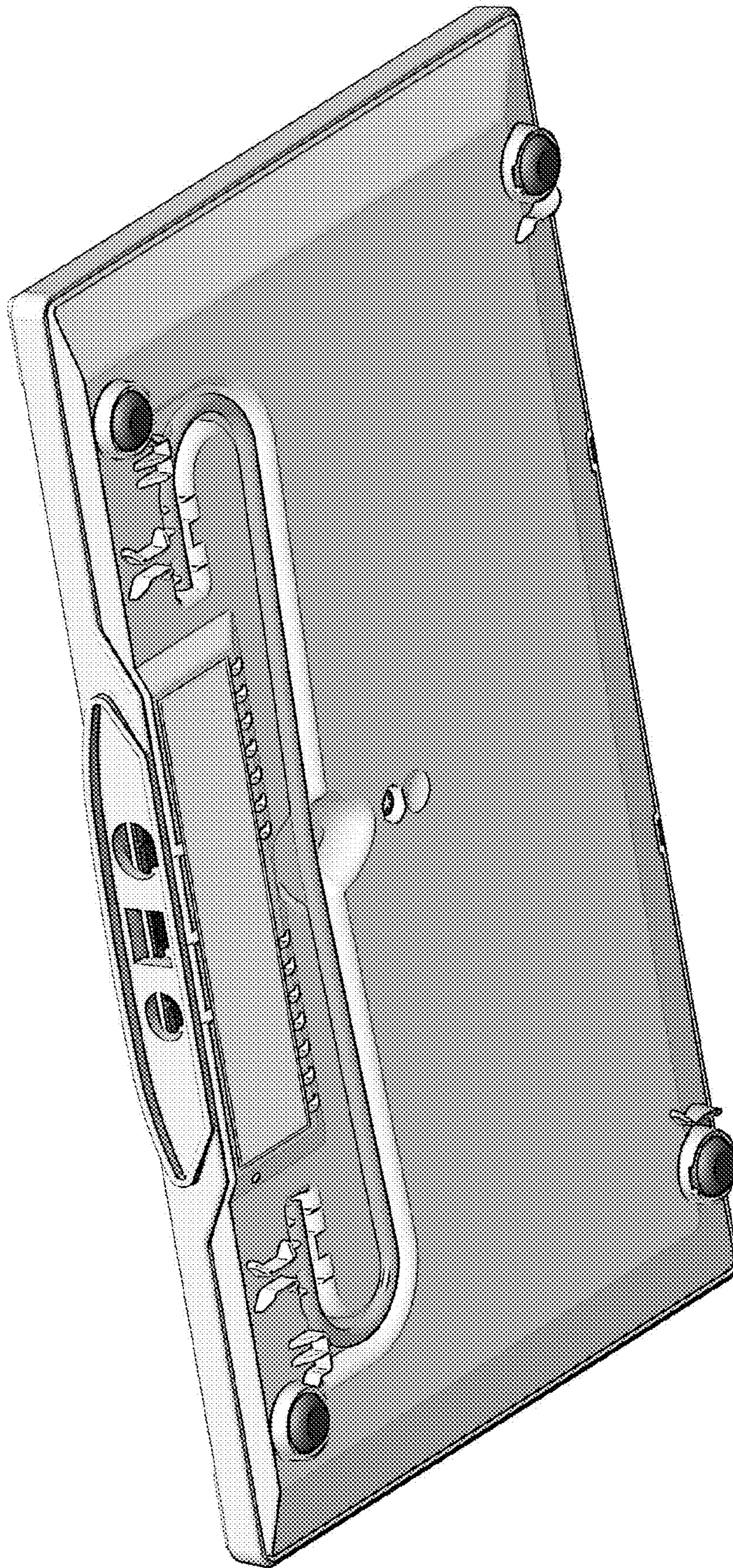


Fig. 3



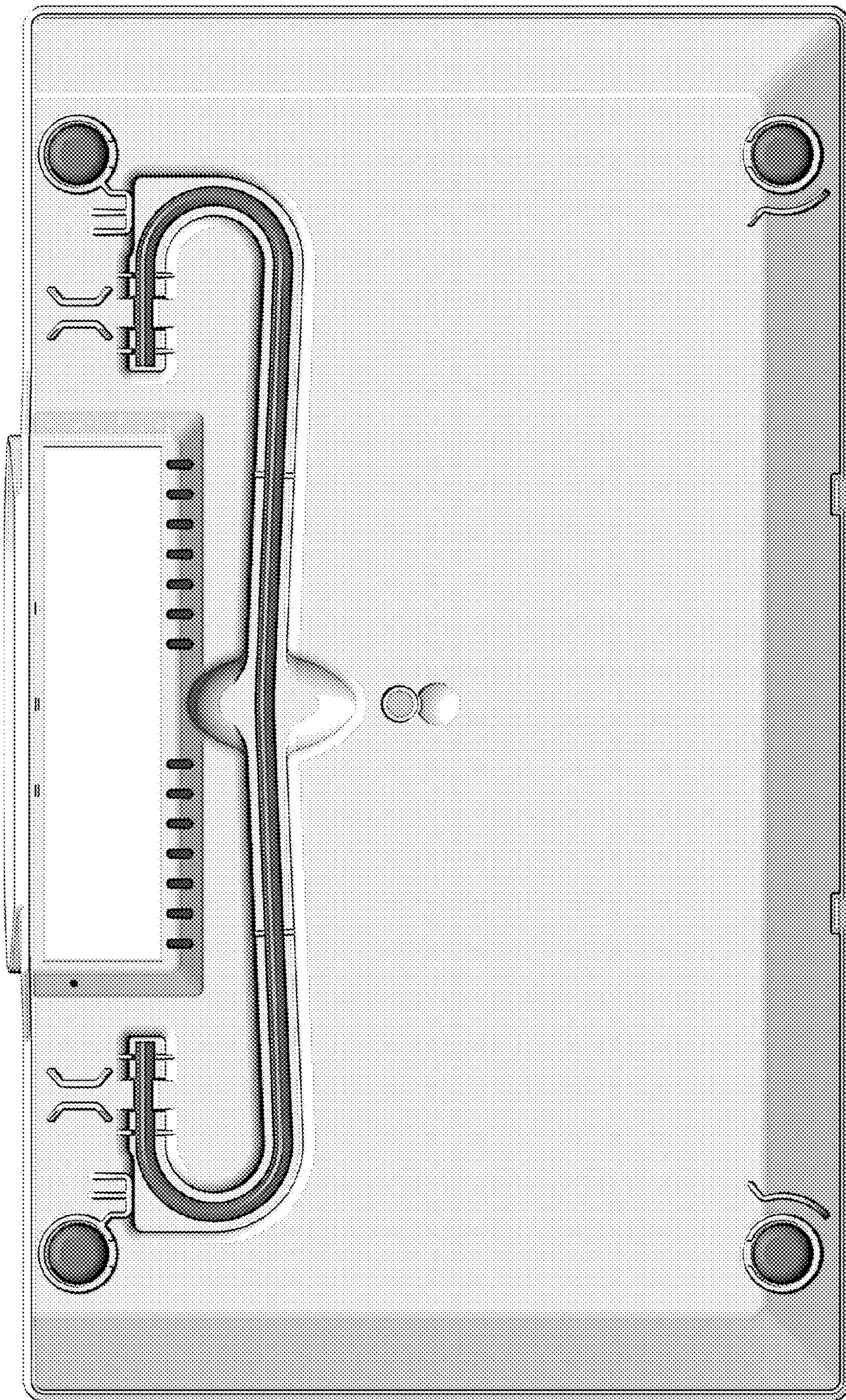


Fig. 4



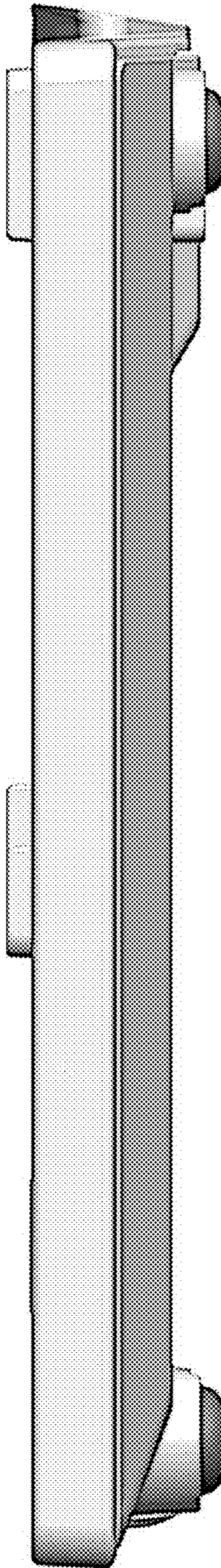


Fig. 5

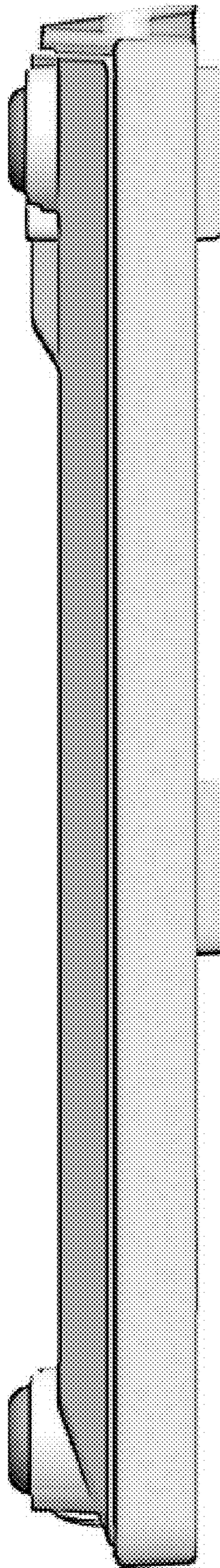


Fig. 6

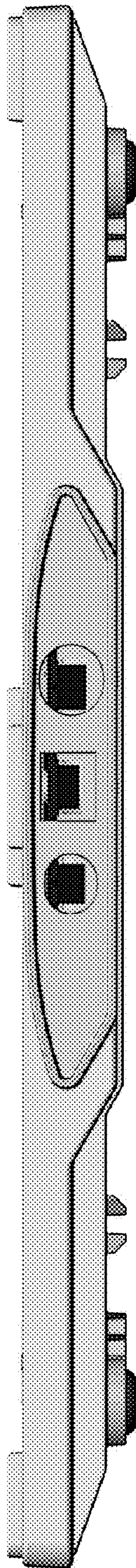


Fig. 7



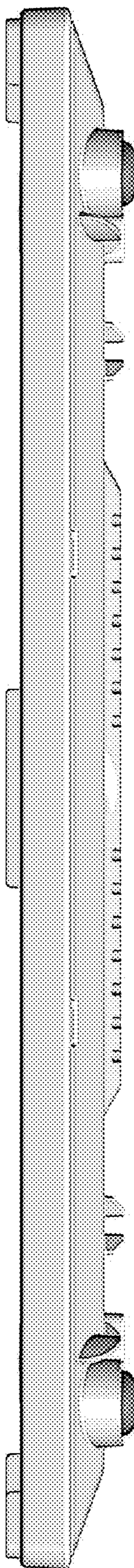


Fig. 8



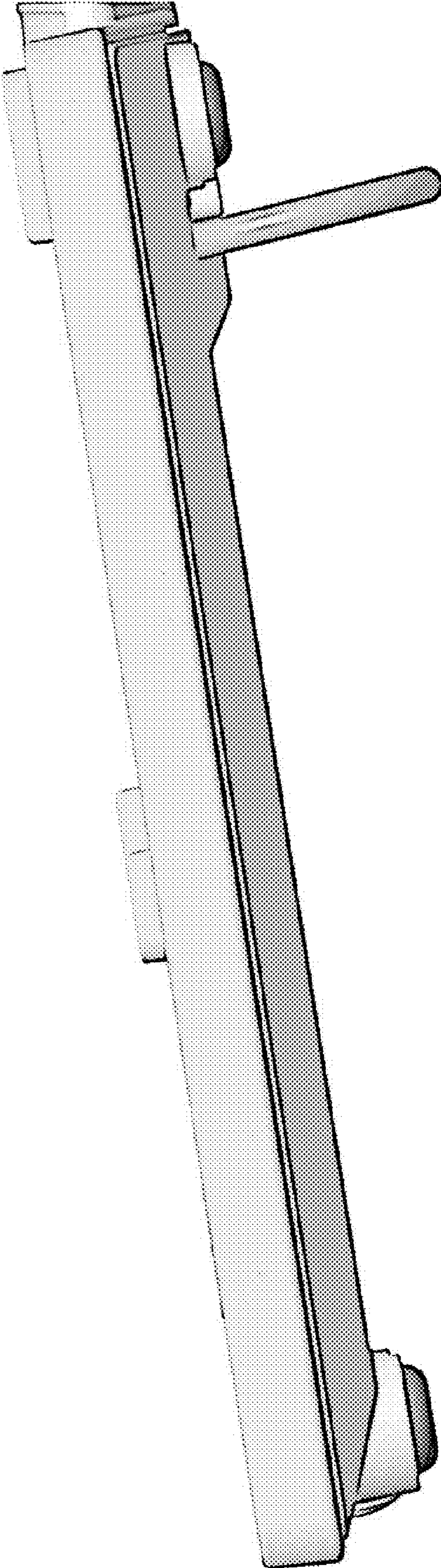


Fig. 9



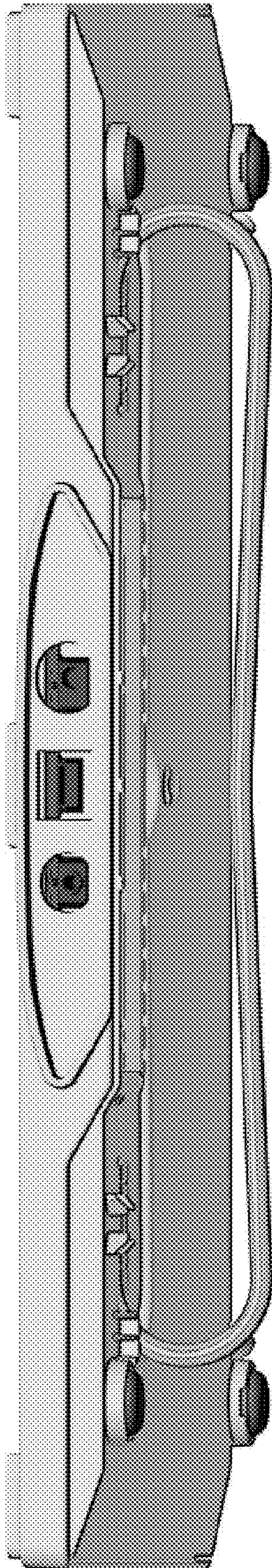


Fig. 10



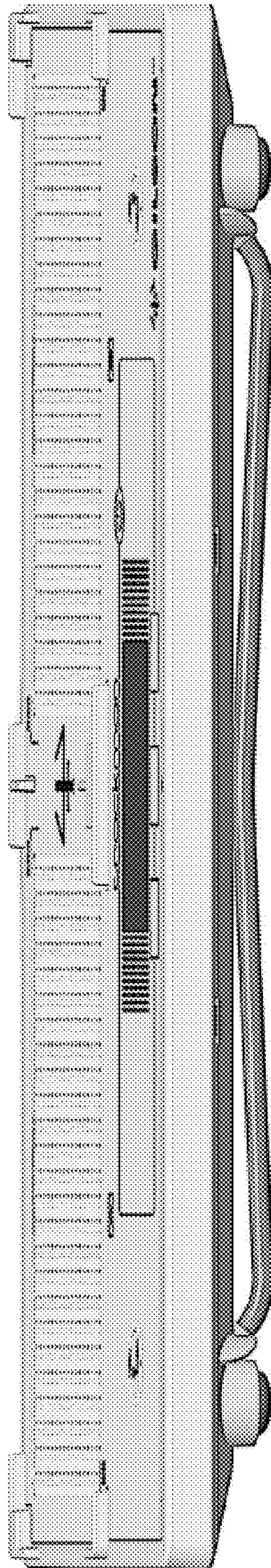


Fig. 11