



US00D637302S

(12) **United States Design Patent**
Post

(10) **Patent No.:** **US D637,302 S**

(45) **Date of Patent:** **** May 3, 2011**

(54) **ADULT TOY VIBRATOR**

(76) Inventor: **Christopher Post**, Chatsworth, CA (US)

(**) Term: **14 Years**

(21) Appl. No.: **29/314,999**

(22) Filed: **May 15, 2009**

(51) **LOC (9) Cl.** **28-03**

(52) **U.S. Cl.** **D24/215**

(58) **Field of Classification Search** D24/200,
D24/204, 206, 211–215, 201; 601/19, 22,
601/27, 28, 29, 30, 31, 39, 46, 56, 63, 68,
601/72, 80, 125, 135, 157, 169, DIG. 12,
601/DIG. 14, DIG. 16, DIG. 17; D6/335,
D6/336; D21/685

See application file for complete search history.

(56) **References Cited**

U.S. PATENT DOCUMENTS

D496,458	S	*	9/2004	Lin	D24/143
D523,958	S	*	6/2006	Fang	D24/143
D546,666	S	*	7/2007	Mohlin et al.	D8/396
D552,748	S	*	10/2007	Gromosaik et al.	D24/215
D552,749	S	*	10/2007	Gromosaik et al.	D24/215
D552,750	S	*	10/2007	Gromosaik et al.	D24/215
D556,336	S	*	11/2007	Talbot et al.	D24/215
D557,805	S	*	12/2007	Gromosaik et al.	D24/143
D557,806	S	*	12/2007	Gromosaik et al.	D24/143
D566,289	S	*	4/2008	Tasker et al.	D24/215
D581,544	S	*	11/2008	Adams	D24/215
2005/0155609	A1	*	7/2005	Lin	128/844
2005/0283044	A1	*	12/2005	Chang	600/38
2006/0178602	A1	*	8/2006	Teng et al.	601/70
2007/0038019	A1	*	2/2007	Weng	600/38
2009/0069629	A1	*	3/2009	Uson Calvo	600/38
2009/0306468	A1	*	12/2009	Tasker et al.	600/41
2009/0318755	A1	*	12/2009	Adams et al.	600/41

* cited by examiner

Primary Examiner — Sandra Snapp

(74) *Attorney, Agent, or Firm* — Colin P. Abrahams

(57) **CLAIM**

The ornamental design for an adult toy vibrator, as shown.

DESCRIPTION

FIG. 1 is a front view of an adult toy vibrator in accordance with a first embodiment of the invention;

FIG. 2 is a back view of an adult toy vibrator as shown in FIG. 1 of the drawings;

FIG. 3 is a left side view of an adult toy vibrator as shown in FIG. 1 of the drawings;

FIG. 4 is a right side view of an adult toy vibrator as shown in FIG. 1 of the drawings;

FIG. 5 is a top view of an adult toy vibrator as shown in FIG. 1 of the drawings;

FIG. 6 is a bottom view of an adult toy vibrator as shown in FIG. 1 of the drawings;

FIG. 7 is a front view of an adult toy vibrator in accordance with a second embodiment of the invention;

FIG. 8 is a back view of an adult toy vibrator as shown in FIG. 7 of the drawings;

FIG. 9 is a left side view of an adult toy vibrator as shown in FIG. 7 of the drawings;

FIG. 10 is a right side view of an adult toy vibrator as shown in FIG. 7 of the drawings;

FIG. 11 is a top view of an adult toy vibrator as shown in FIG. 7 of the drawings;

FIG. 12 is a bottom view of an adult toy vibrator as shown in FIG. 7 of the drawings;

FIG. 13 is a front view of an adult toy vibrator in accordance with a third embodiment of the invention;

FIG. 14 is a back view of an adult toy vibrator as shown in FIG. 13 of the drawings;

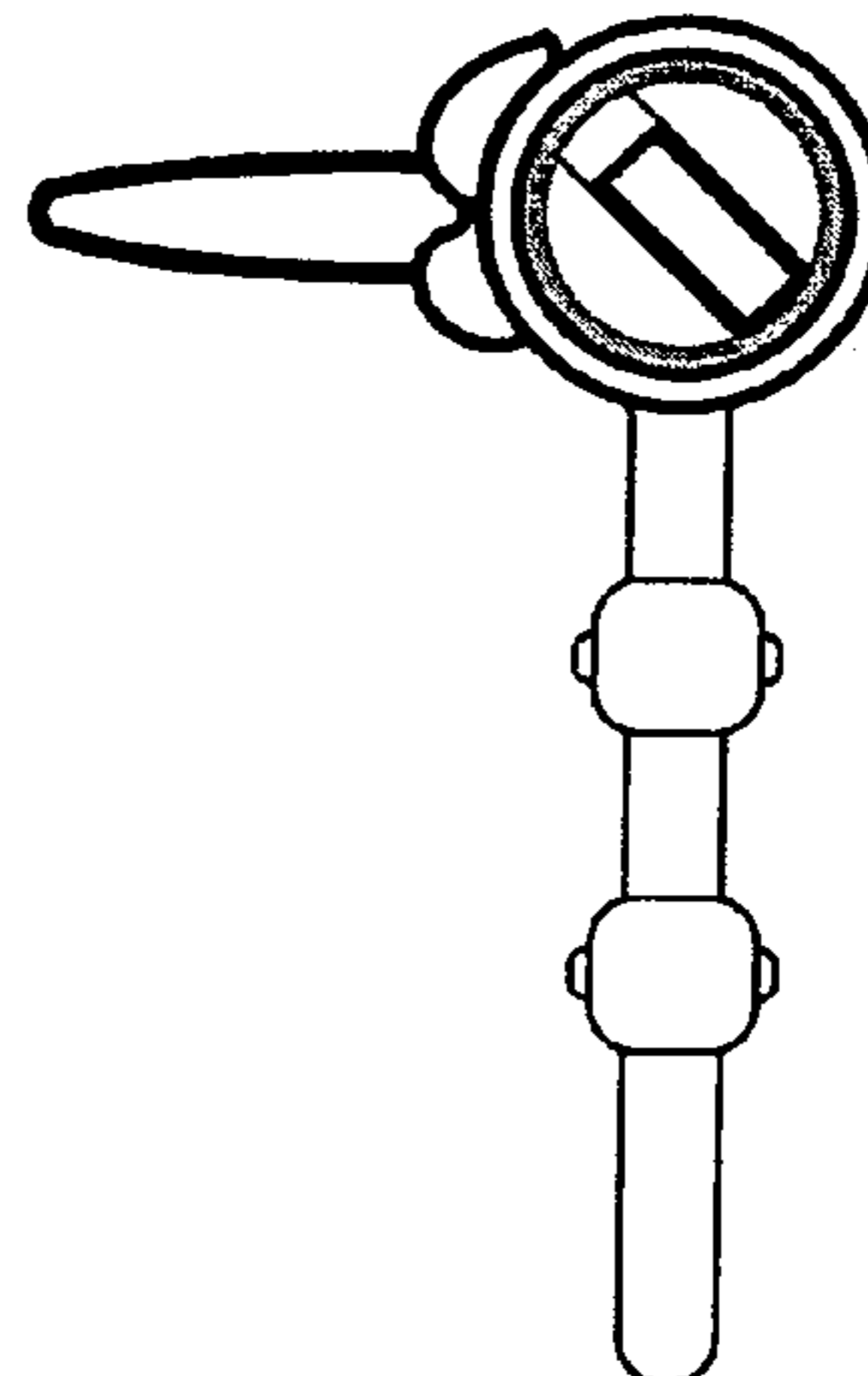
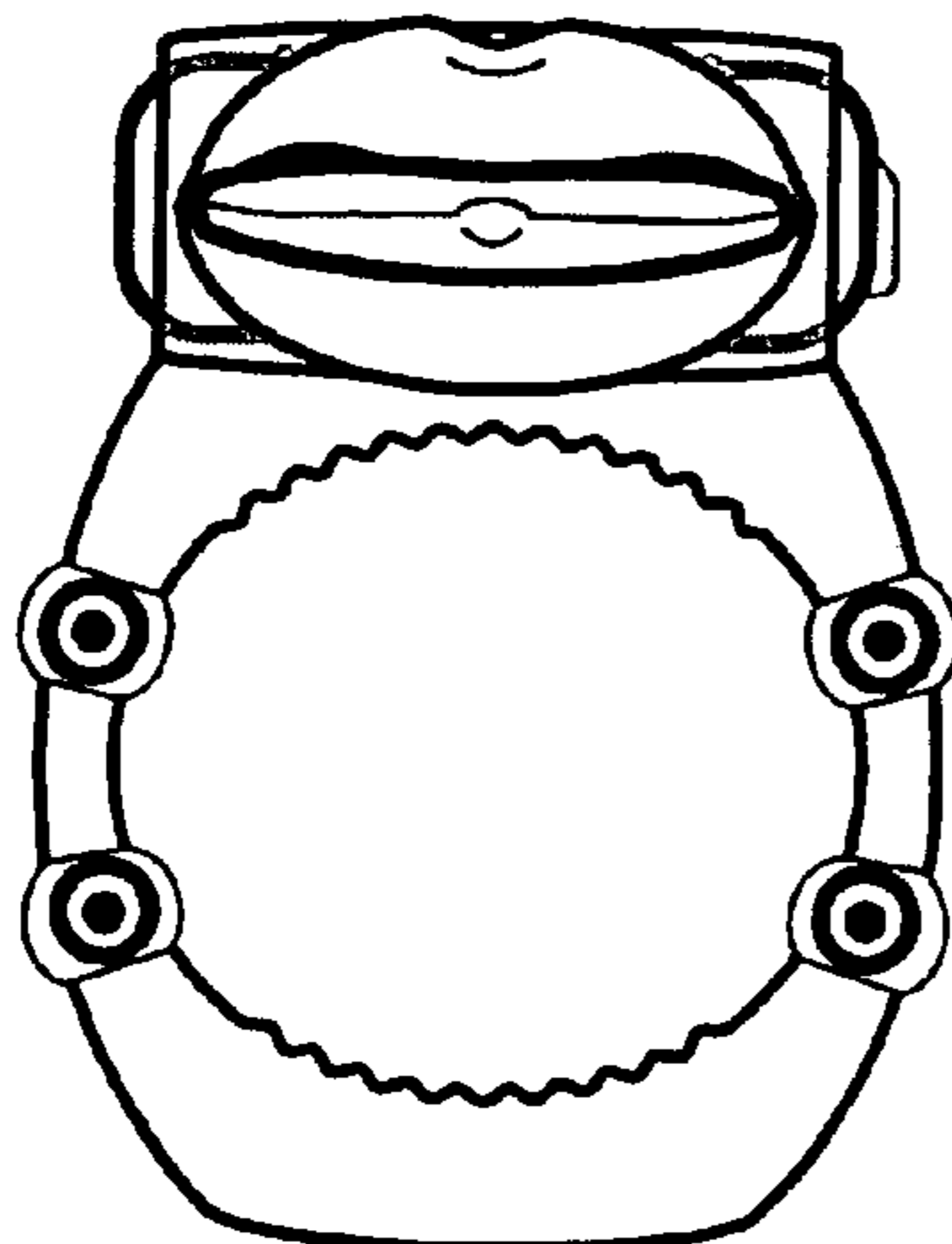
FIG. 15 is a left side view of an adult toy vibrator as shown in FIG. 13 of the drawings;

FIG. 16 is a right side view of an adult toy vibrator as shown in FIG. 13 of the drawings;

FIG. 17 is a top view of an adult toy vibrator as shown in FIG. 13 of the drawings; and,

FIG. 18 is a bottom view of an adult toy vibrator as shown in FIG. 13 of the drawings.

1 Claim, 3 Drawing Sheets



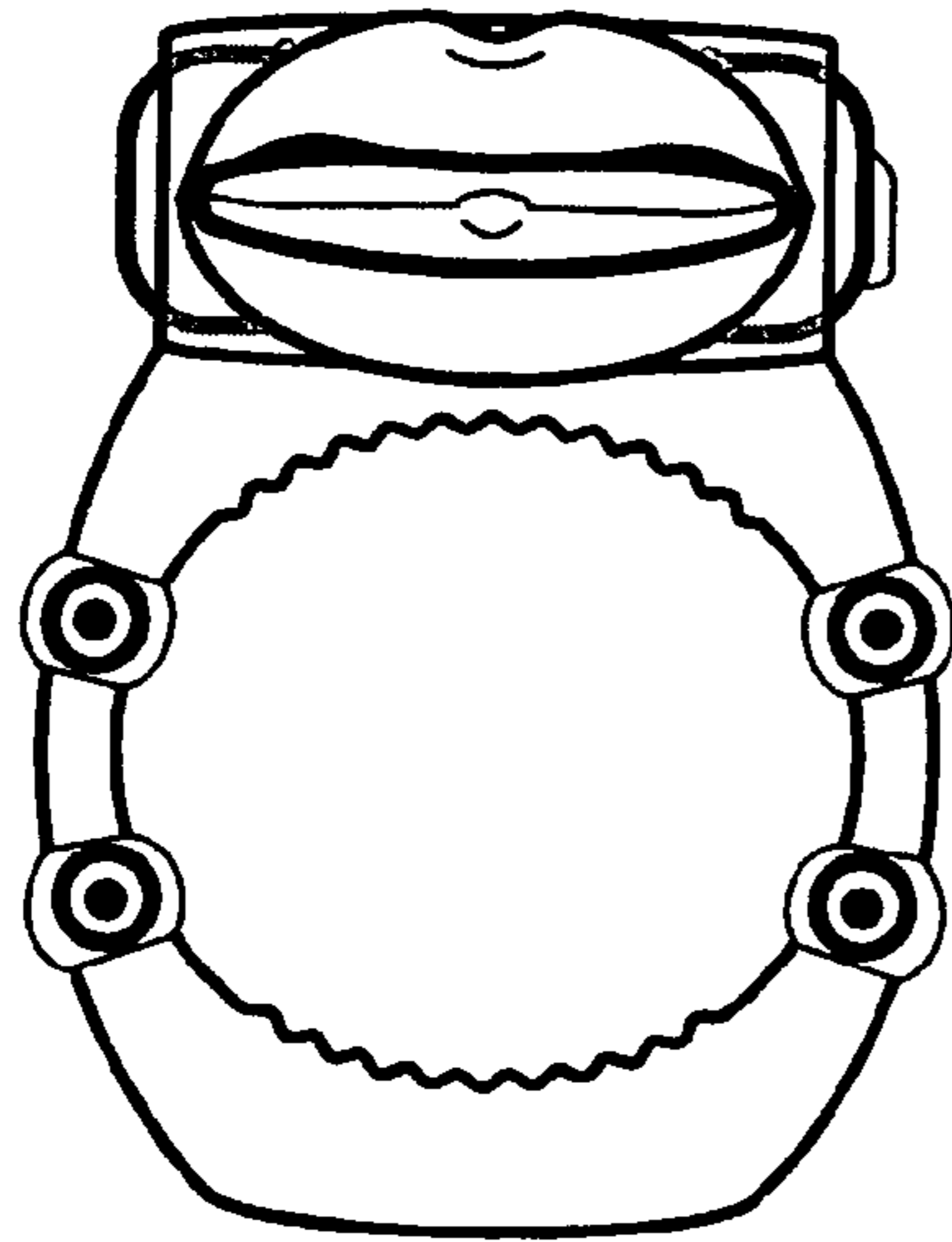


Figure 1

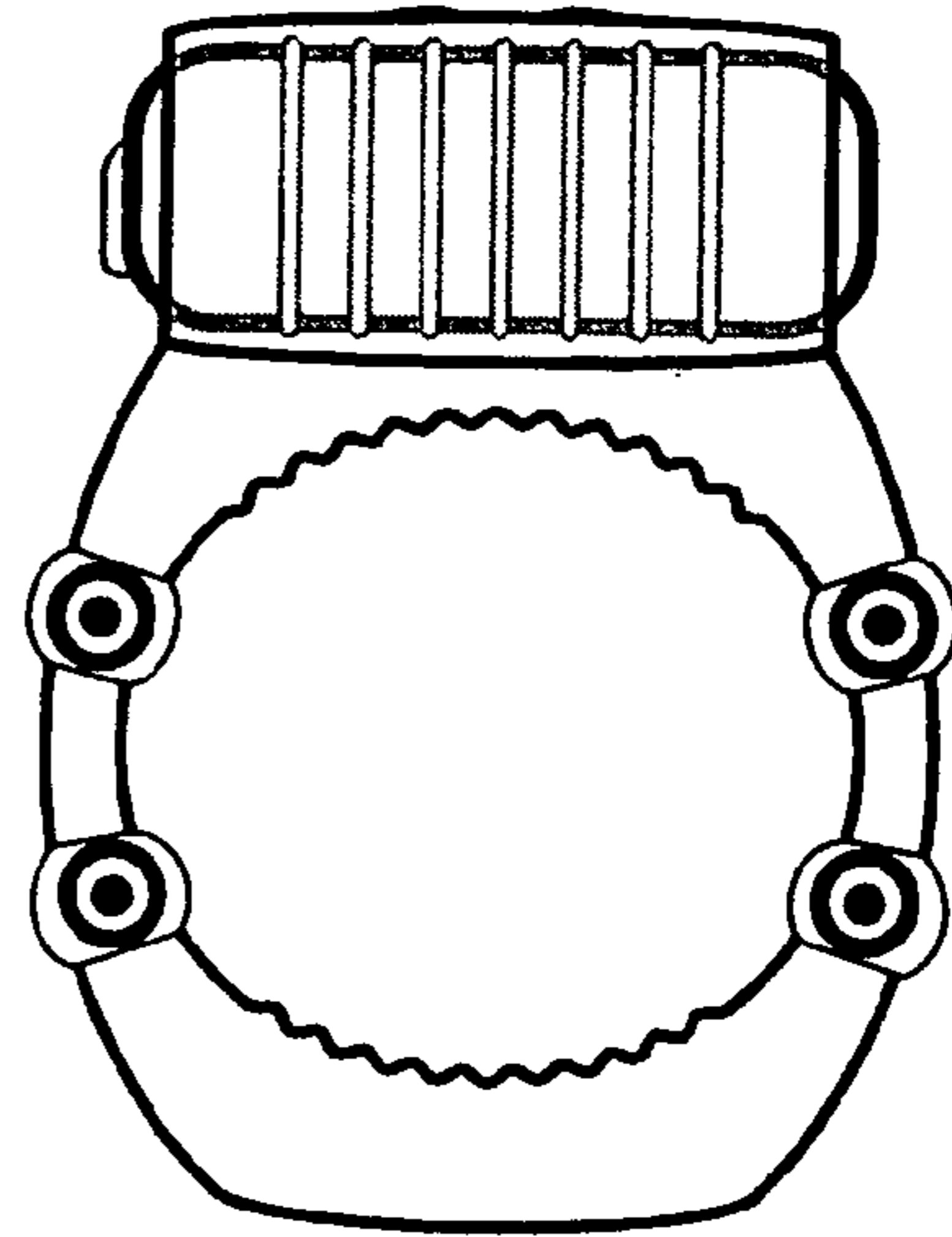


Figure 2

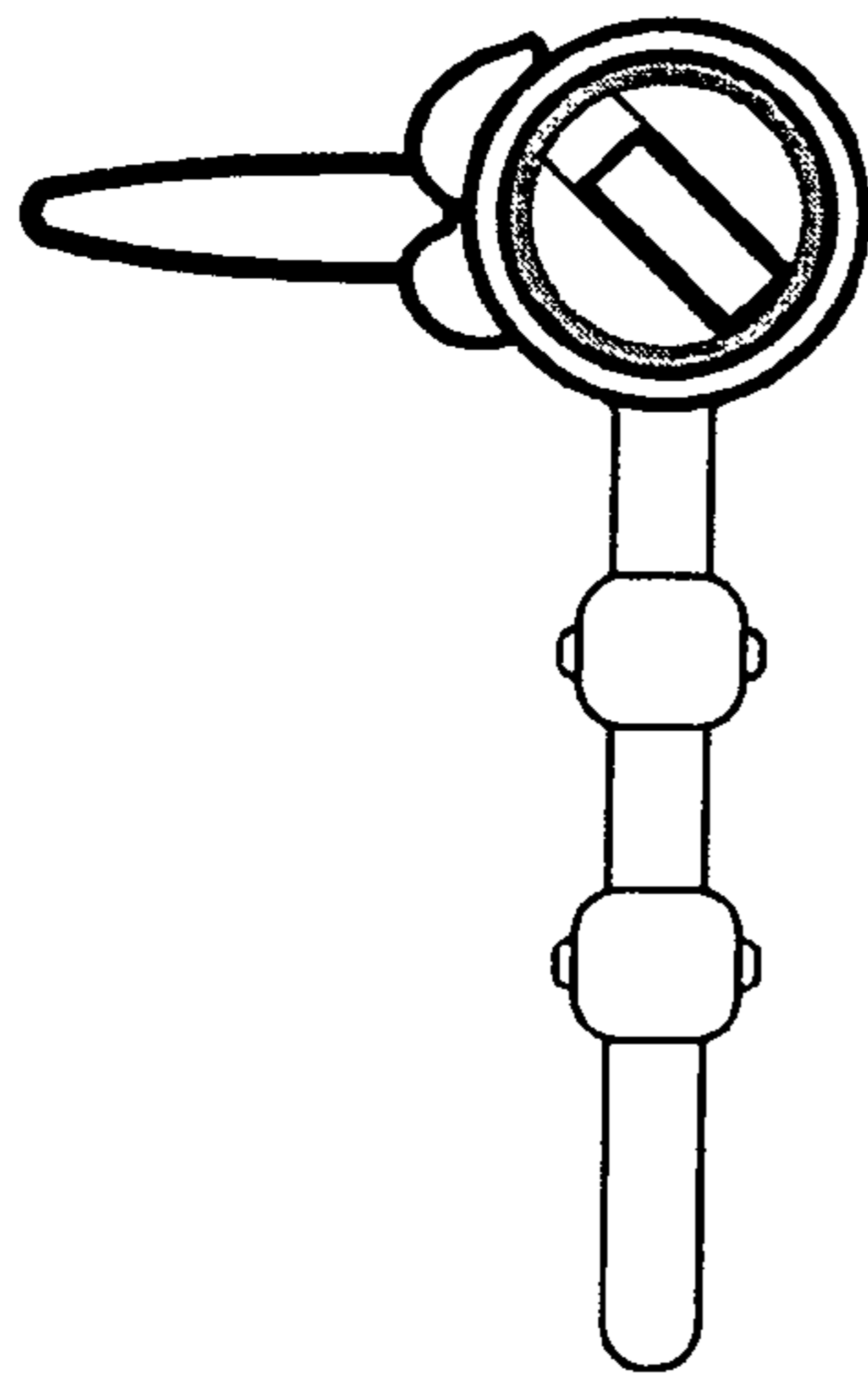


Figure 3

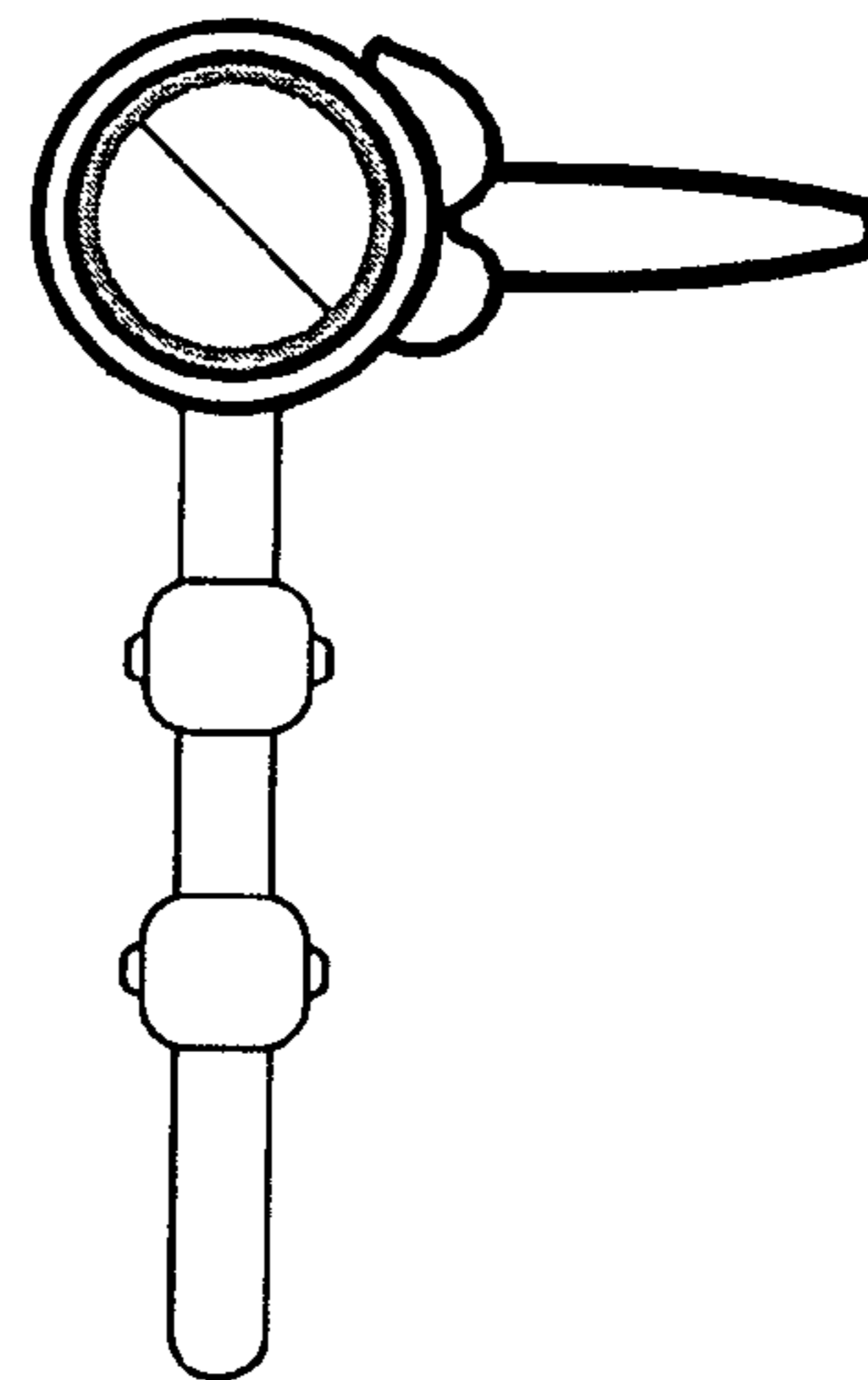


Figure 4

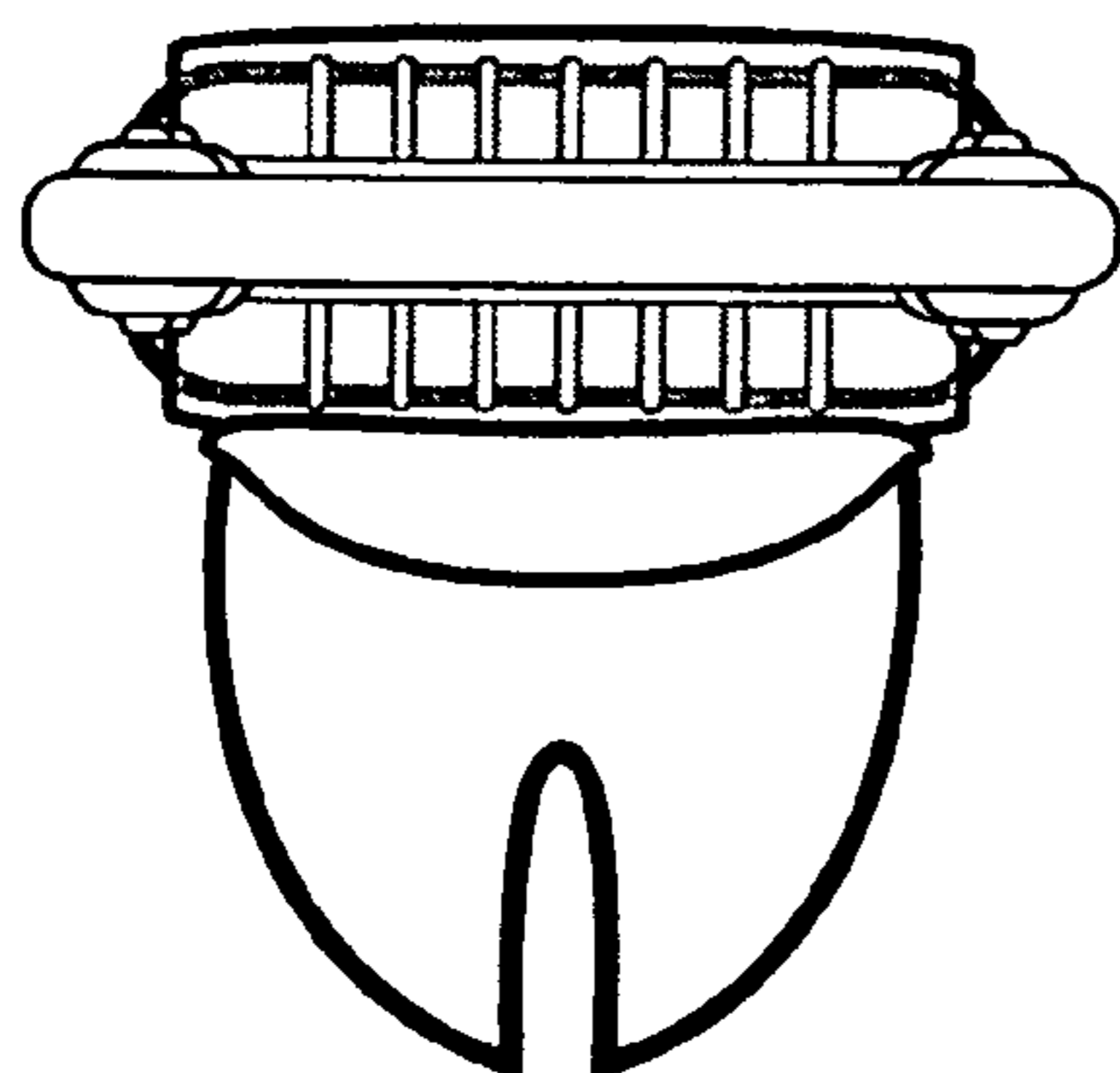


Figure 6

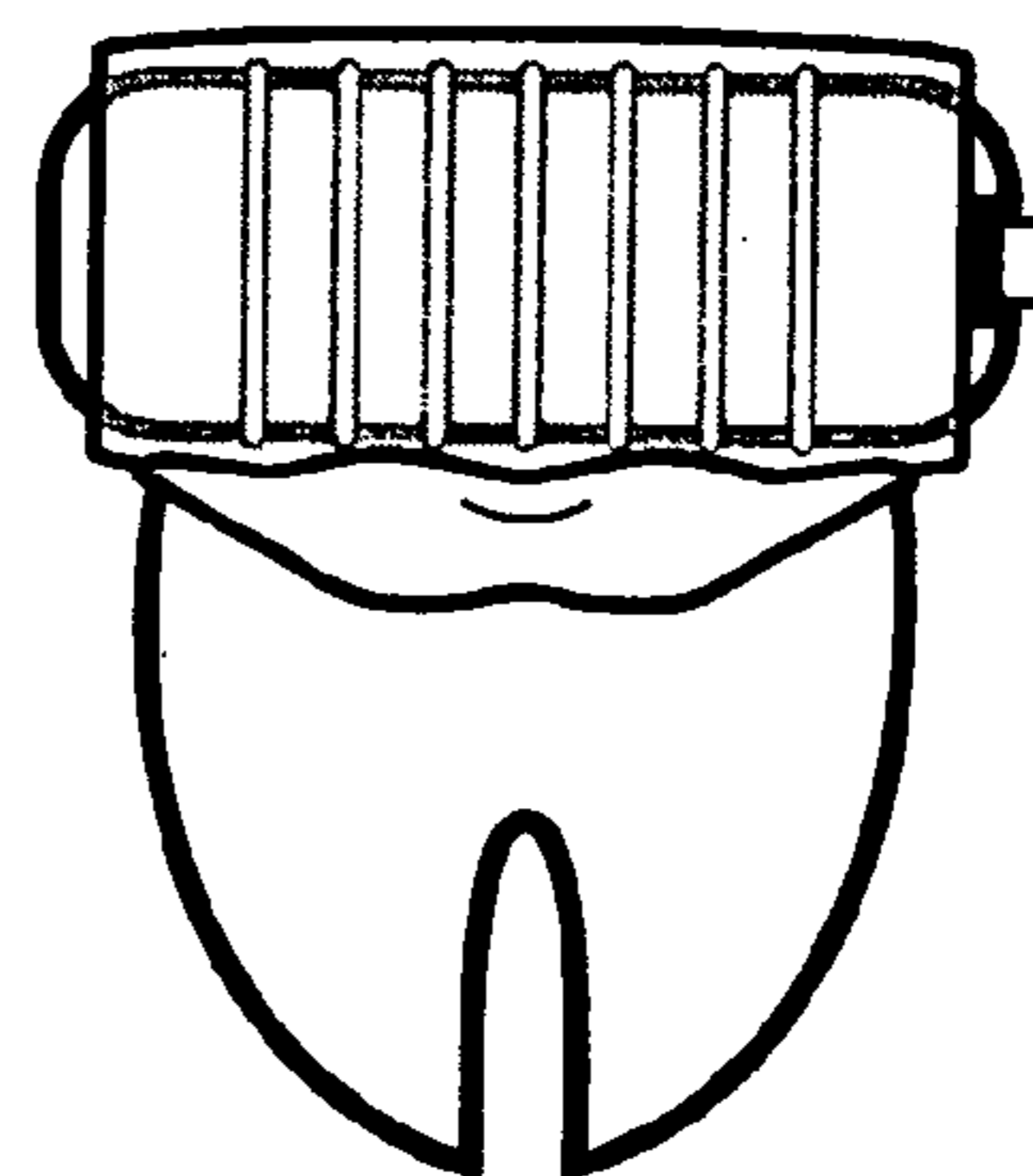


Figure 5

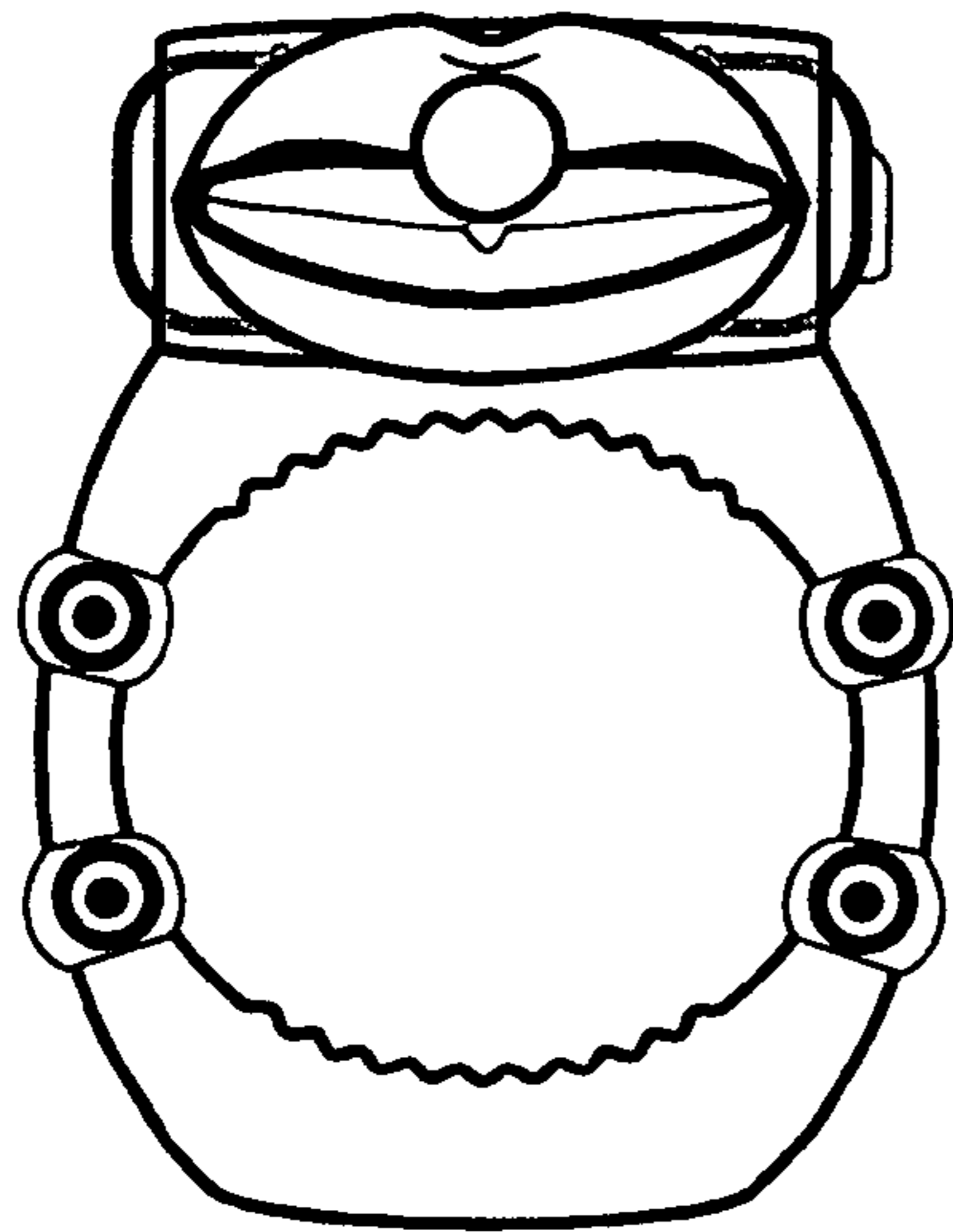


Figure 7

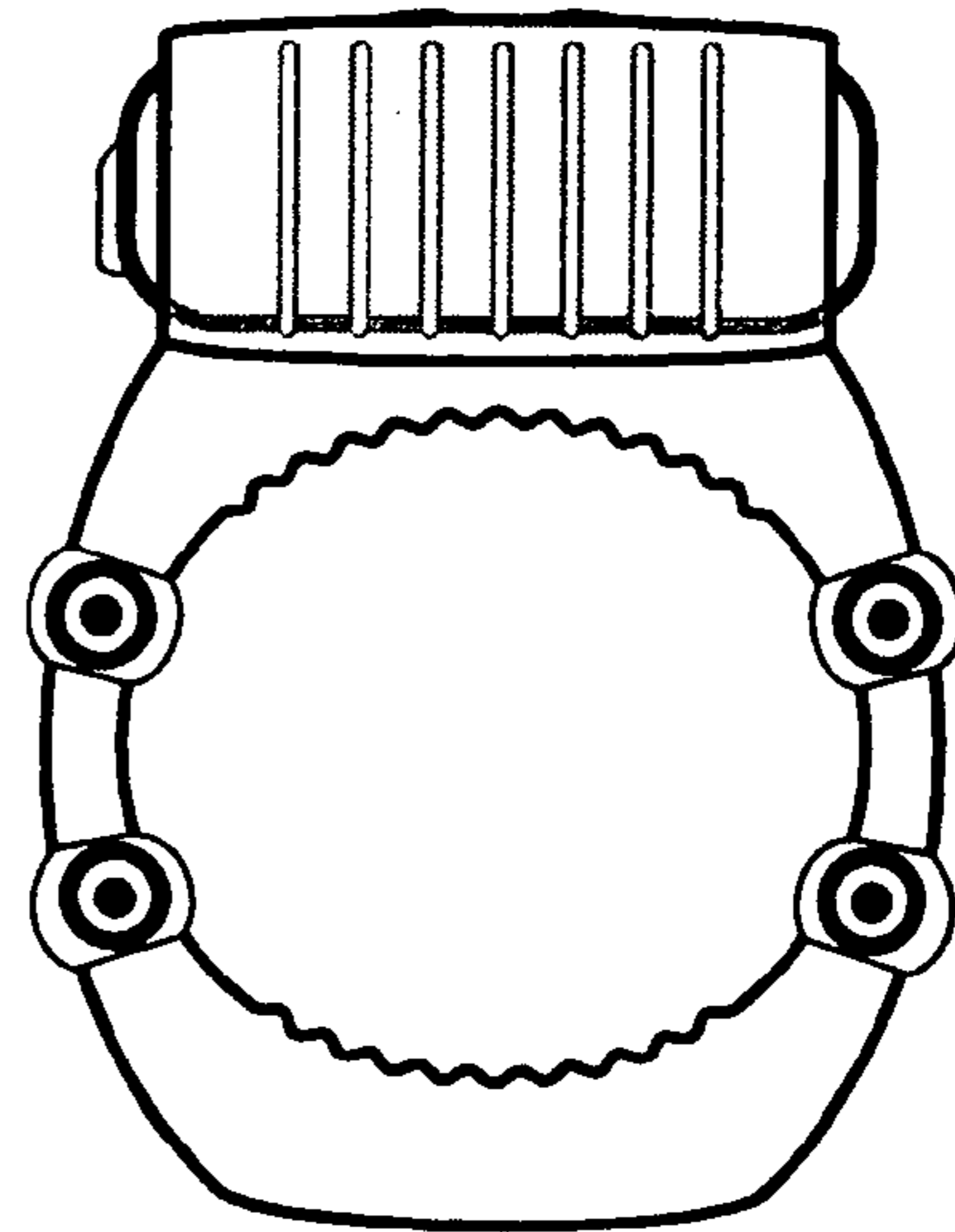


Figure 8

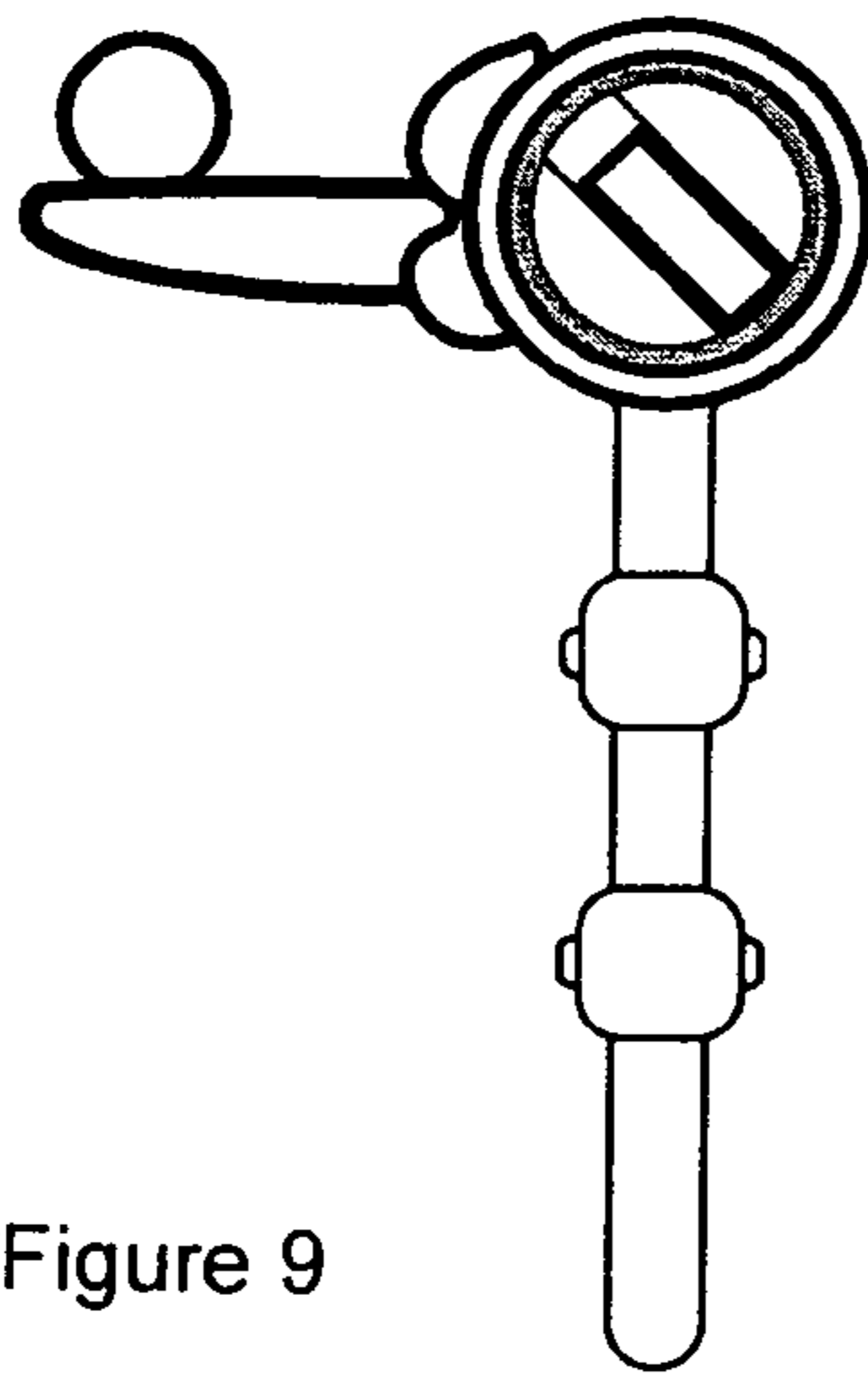


Figure 9

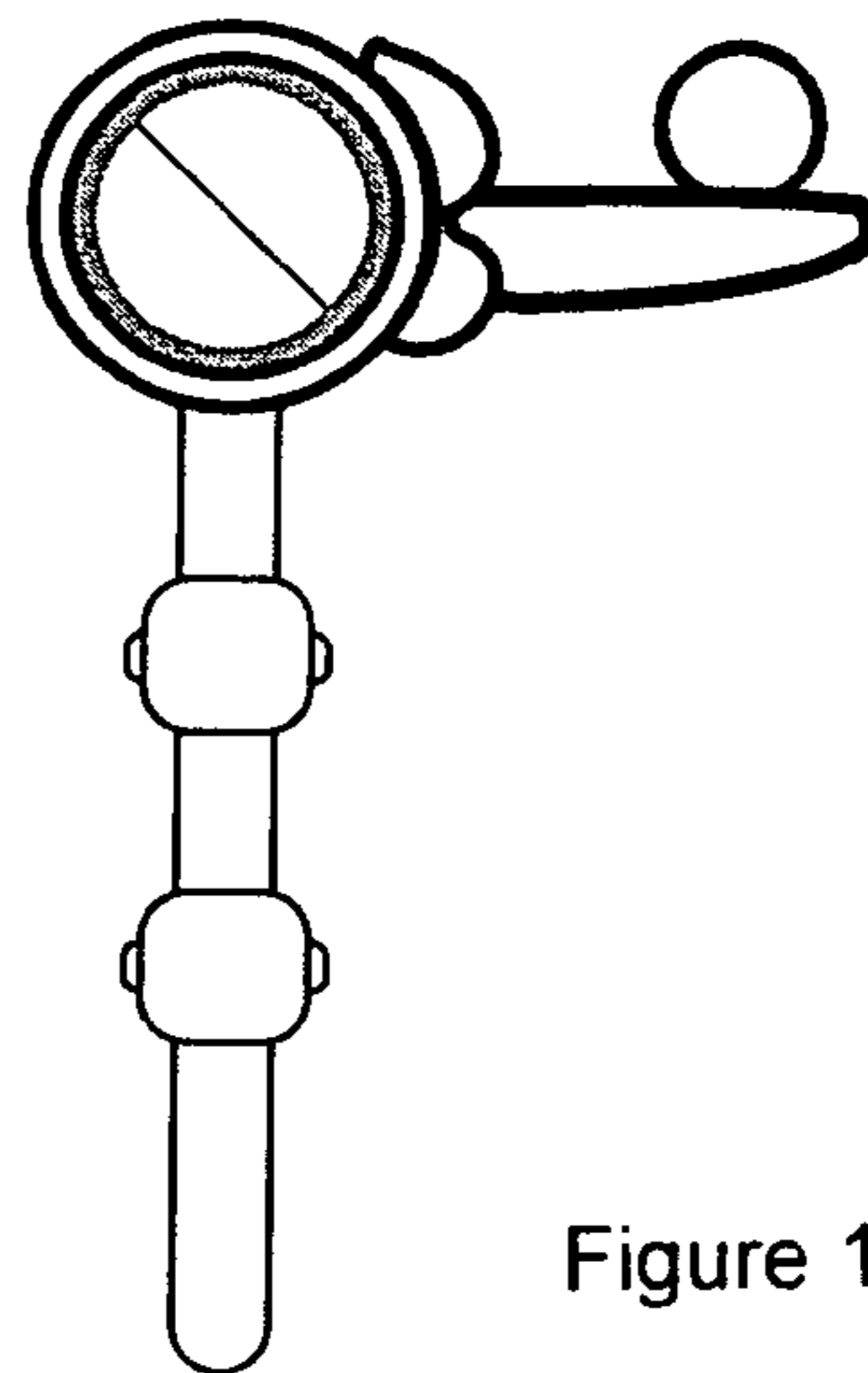


Figure 10

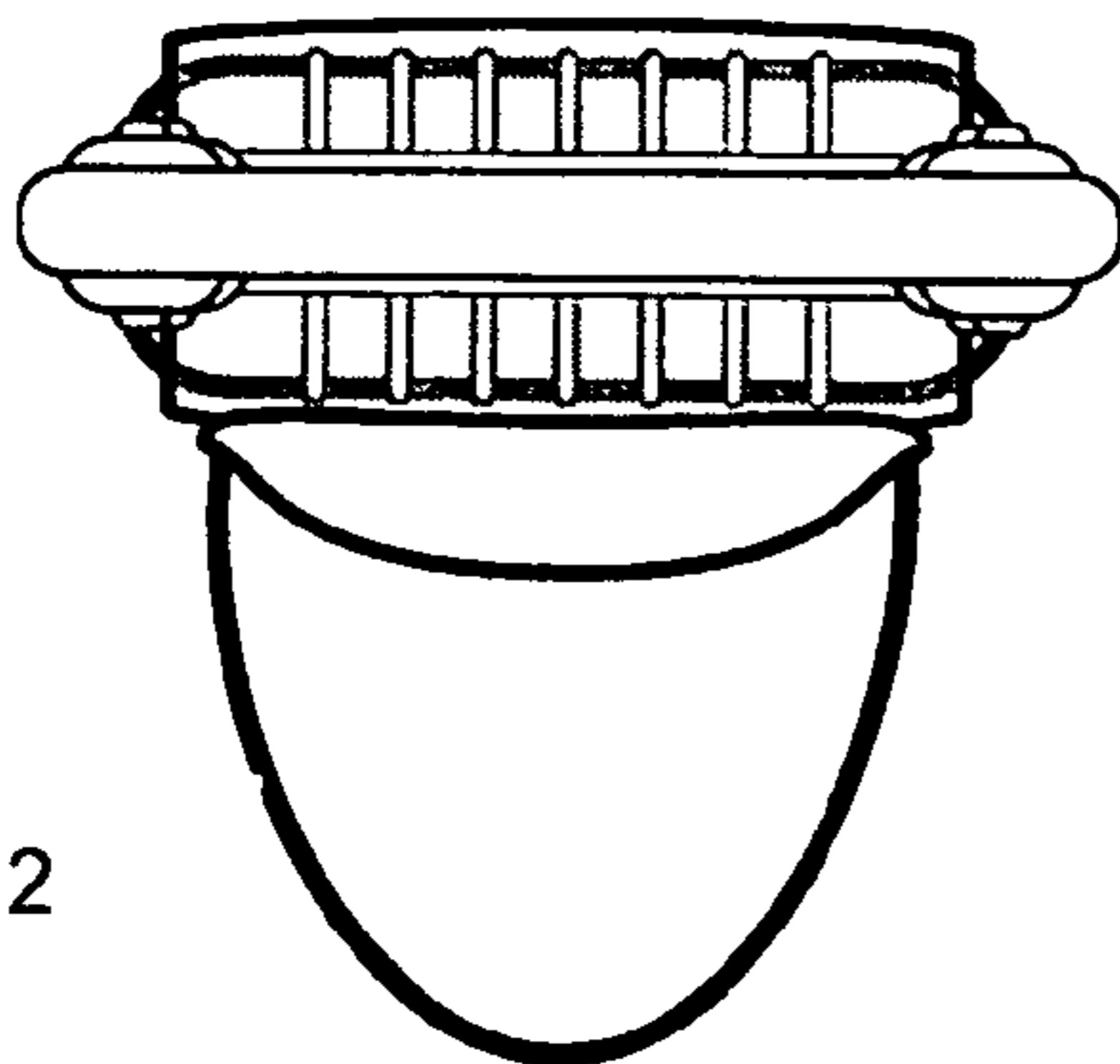


Figure 12

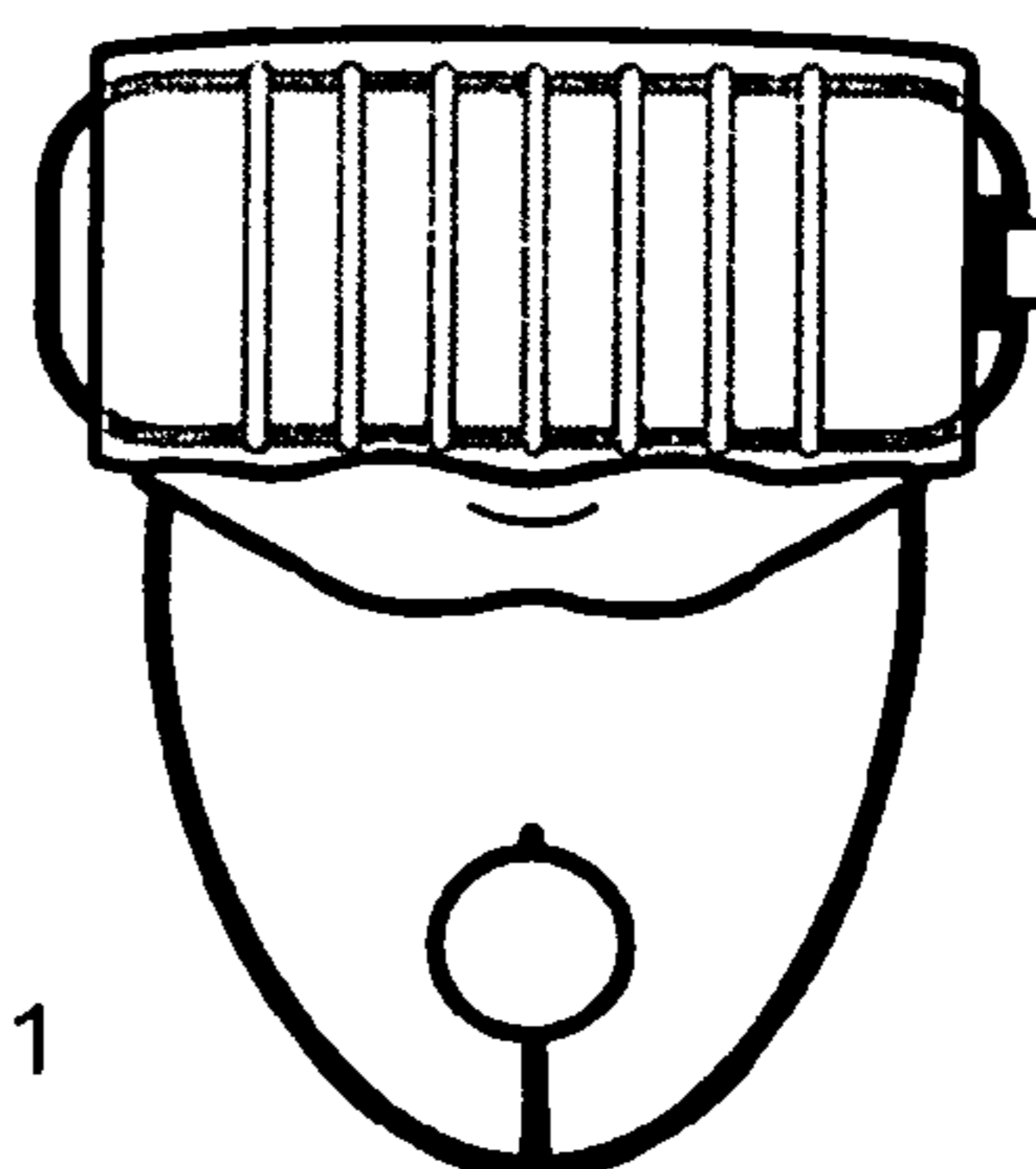


Figure 11

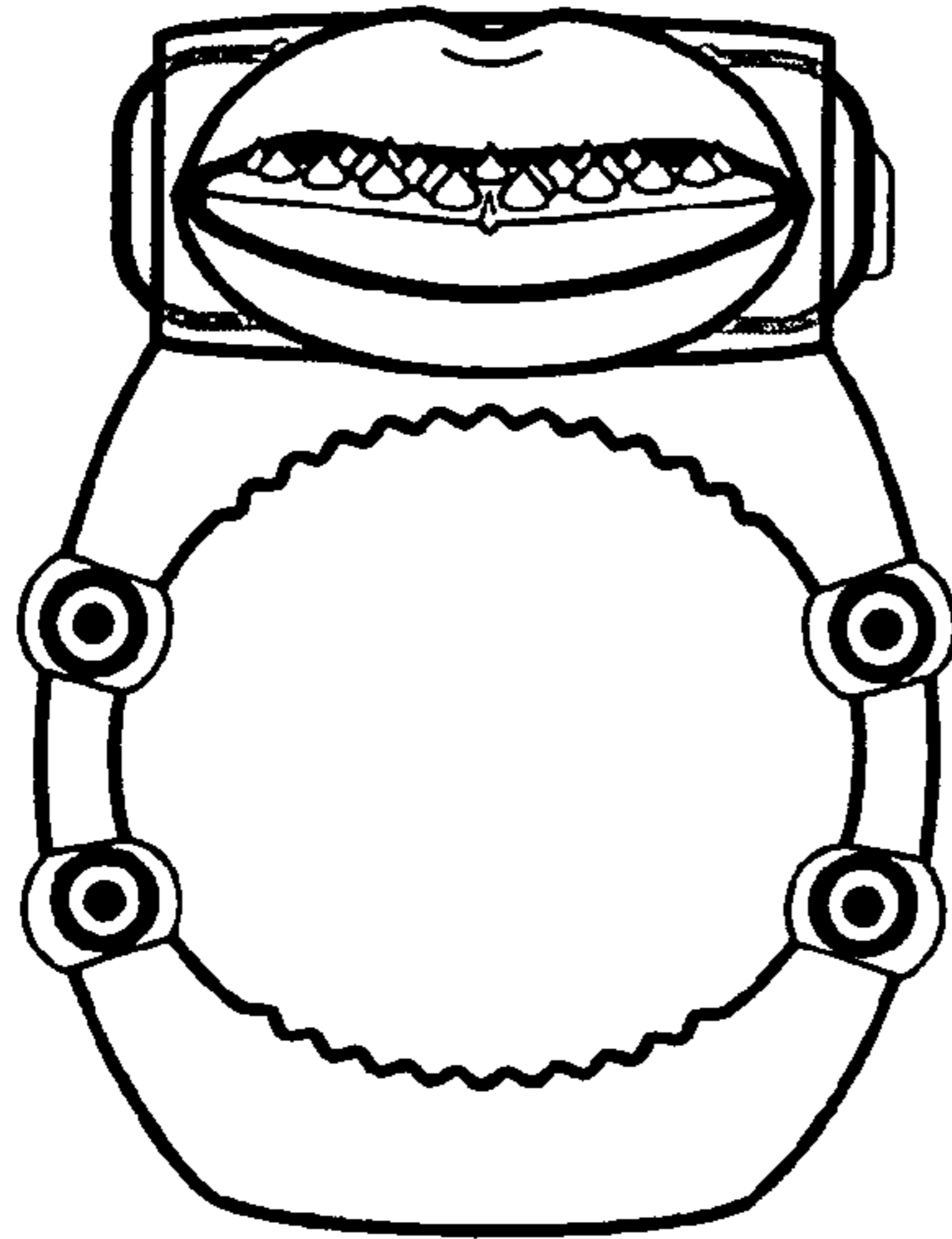


Figure 13

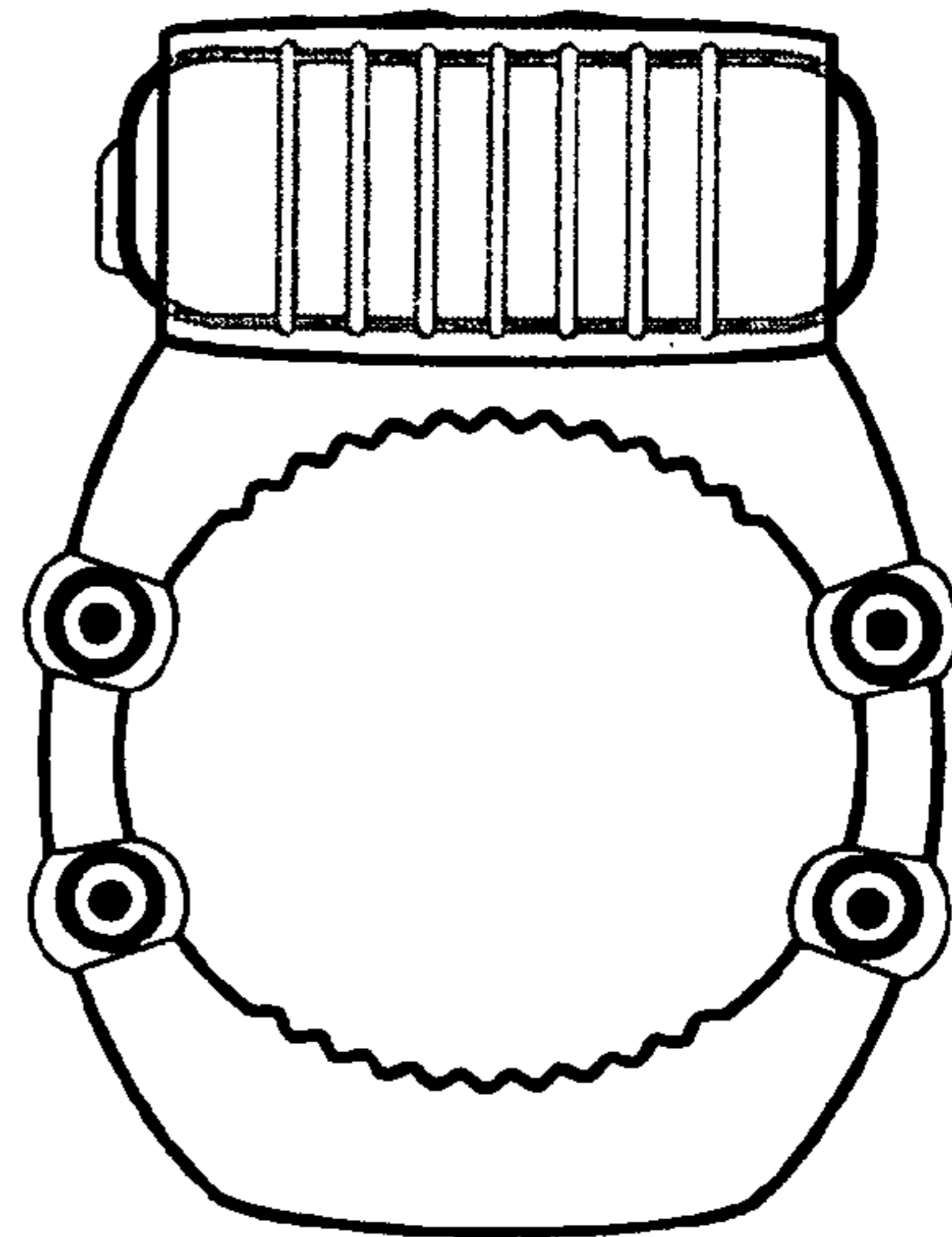


Figure 14

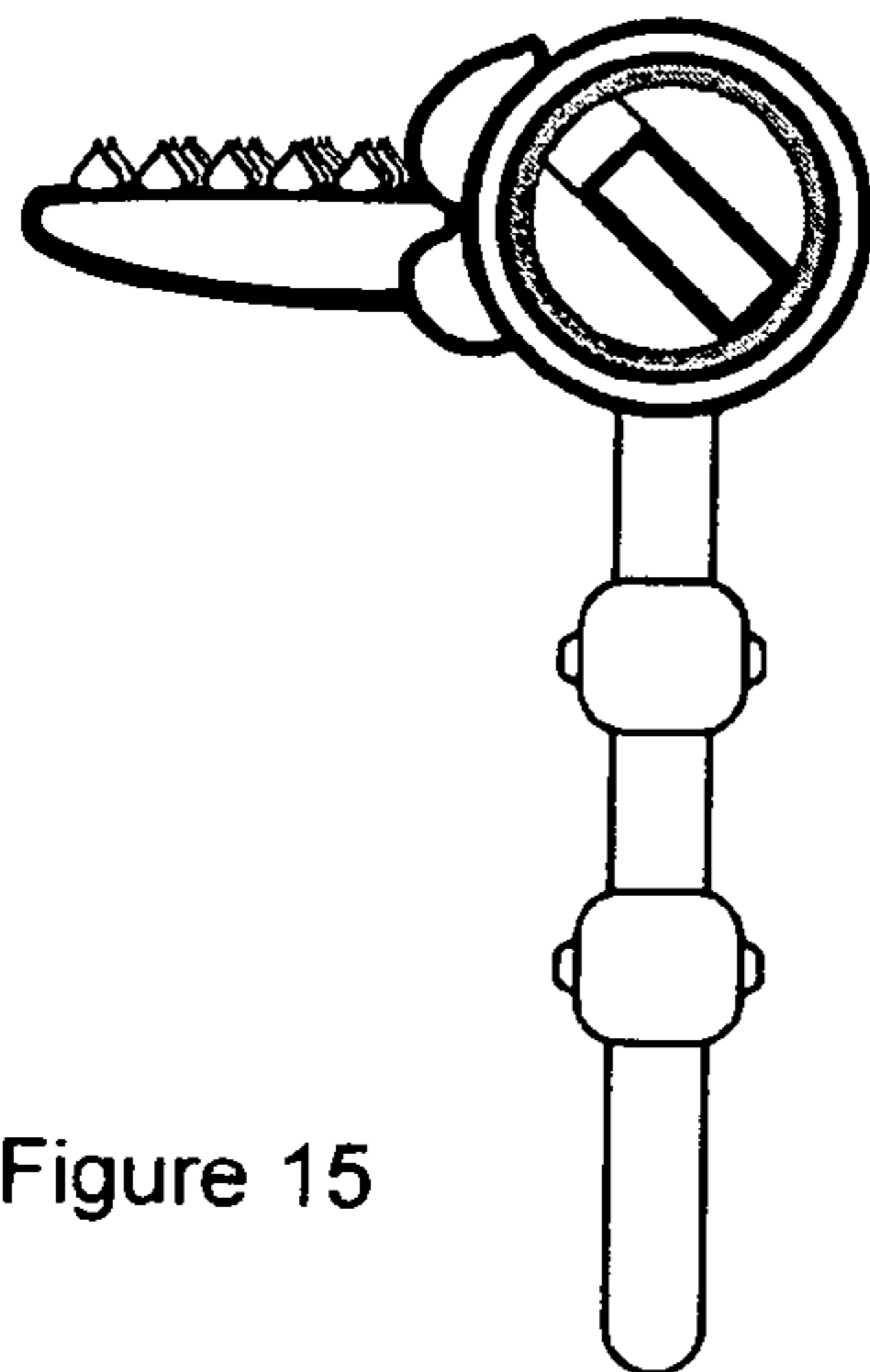


Figure 15

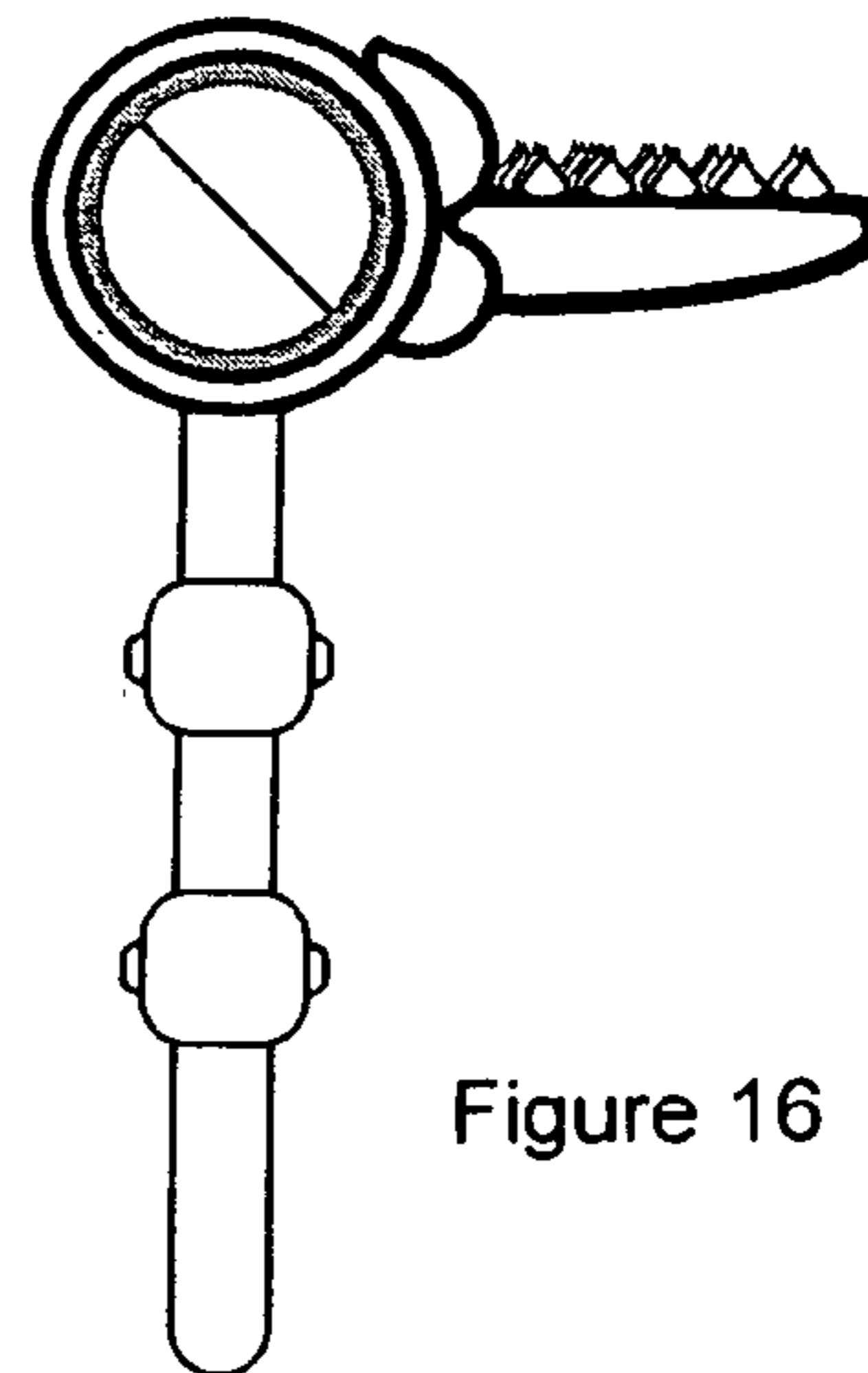


Figure 16

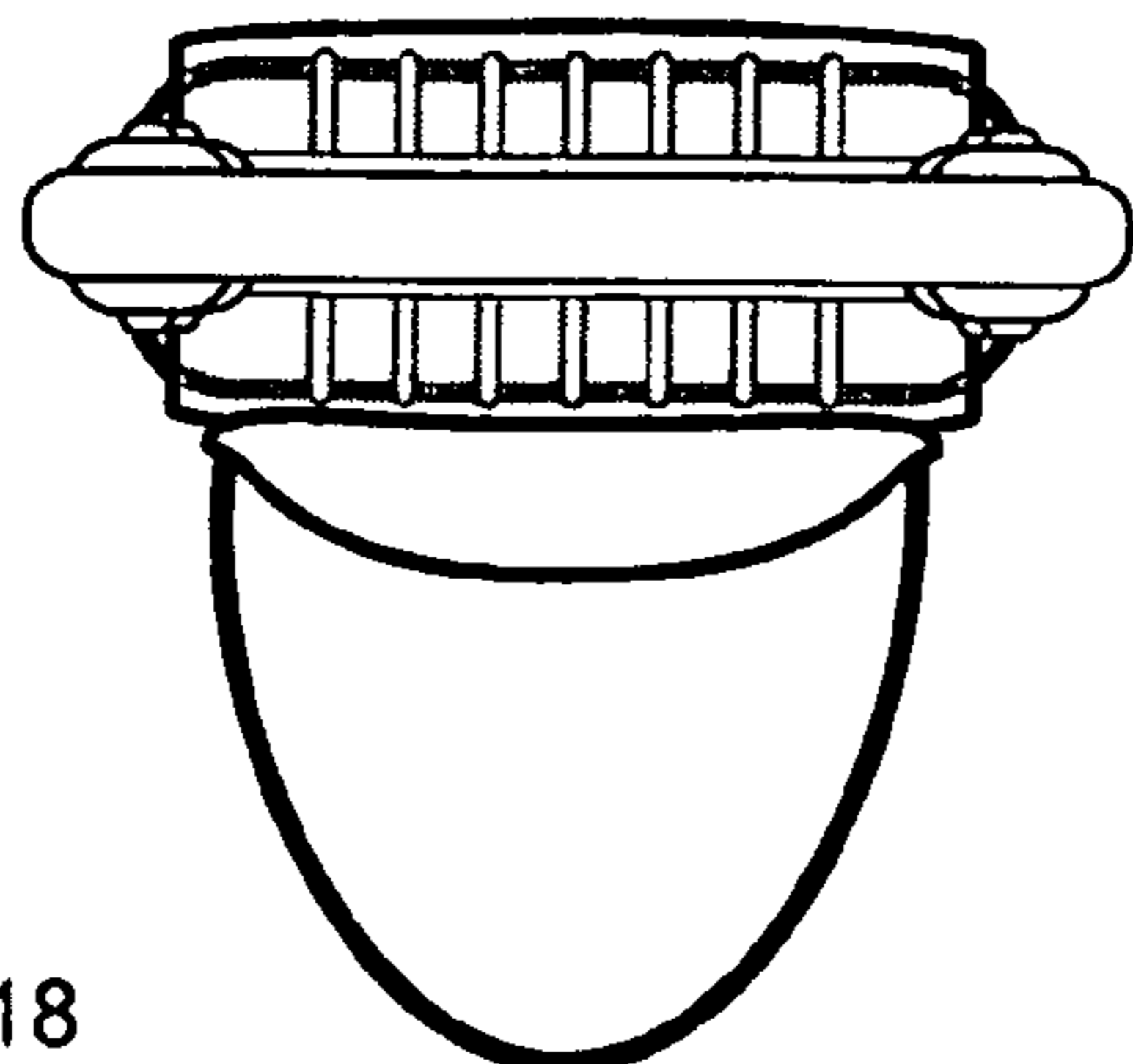


Figure 18

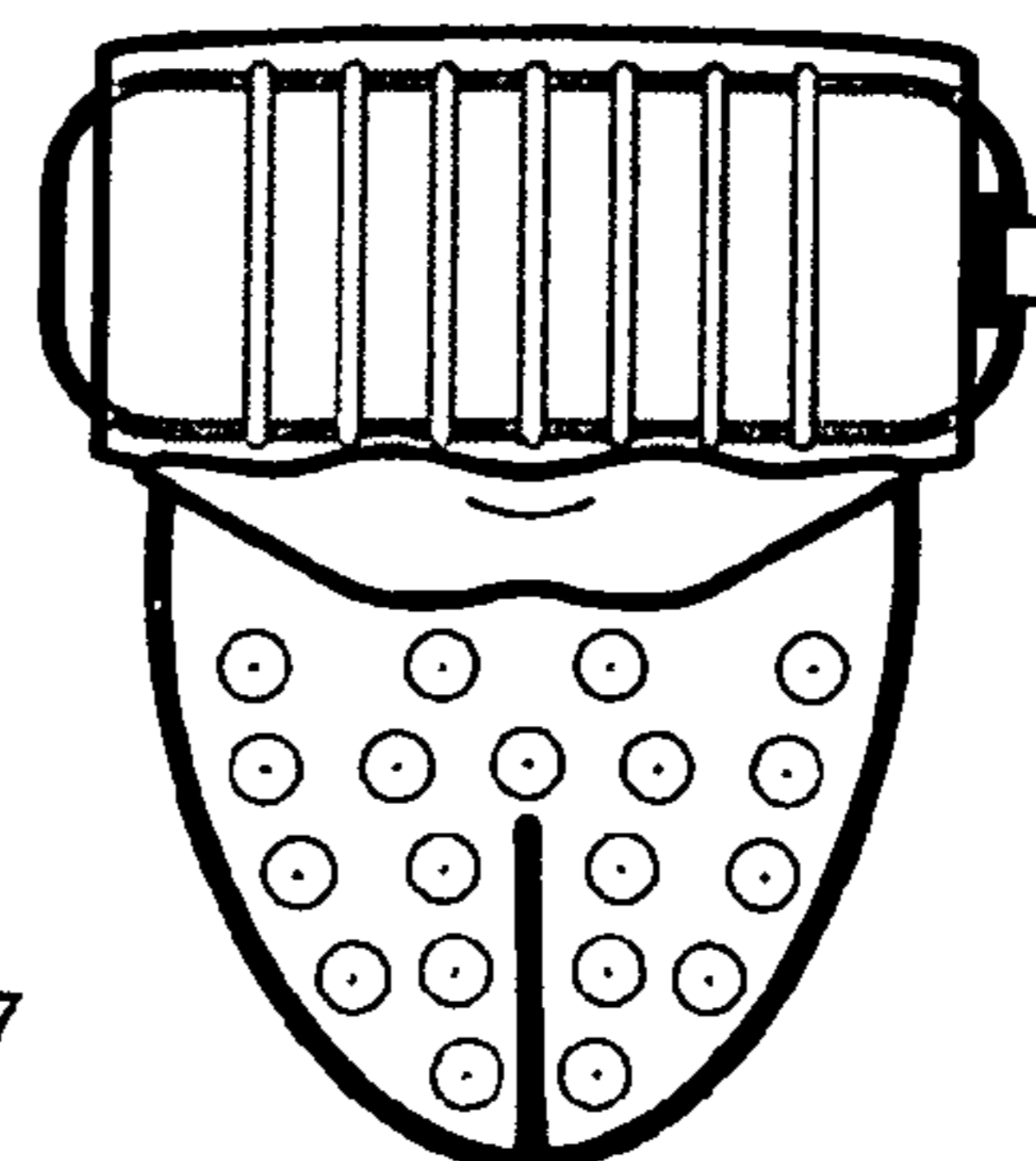


Figure 17