



US00D637294S

(12) **United States Design Patent**
Hickey et al.

(10) **Patent No.:** **US D637,294 S**

(45) **Date of Patent:** **** *May 3, 2011**

(54) **PERITONEAL DIALYSIS MACHINE**

(75) Inventors: **Katherine M. Hickey**, Manchester, NH (US); **Jacob W. Scarpaci**, Manchester, NH (US); **David J. Hibbard**, Bedford, NH (US); **James D. Dale**, Nashua, NH (US); **Jason A. Demers**, Manchester, NH (US)

(73) Assignee: **DEKA Products Limited Partnership**, Manchester, NH (US)

(**) Term: **14 Years**

(21) Appl. No.: **29/331,326**

(22) Filed: **Jan. 23, 2009**

Related U.S. Application Data

(63) Continuation-in-part of application No. 29/319,077, filed on Jun. 3, 2008, now abandoned.

(51) **LOC (9) Cl.** **24-01**

(52) **U.S. Cl.** **D24/169**

(58) **Field of Classification Search** D24/169, D24/186, 138; D10/81; 210/252, 253, 321.65, 210/321.75, 645, 646; 435/286.5, 297.1, 435/297.2; 604/28, 29, 65, 131
See application file for complete search history.

(56) **References Cited**

U.S. PATENT DOCUMENTS

D308,249	S	*	5/1990	Buckley	D24/169
D320,079	S	*	9/1991	Kida	D24/169
D341,890	S	*	11/1993	Sievert et al.	D24/169
D344,339	S	*	2/1994	Yoshikawa et al.	D24/169
5,350,357	A		9/1994	Kamen et al.		
D351,469	S	*	10/1994	Okamoto et al.	D24/169
D351,470	S	*	10/1994	Scherer et al.	D24/169
D370,979	S	*	6/1996	Pascale et al.	D24/169
D381,748	S	*	7/1997	Matsuda et al.	D24/169
6,070,761	A		6/2000	Bloom et al.		
D437,408	S	*	2/2001	Menzler et al.	D24/169

6,210,361	B1		4/2001	Kamen et al.		
D452,564	S	*	12/2001	Micinski et al.	D24/169
6,595,948	B2	*	7/2003	Suzuki et al.	604/29

(Continued)

FOREIGN PATENT DOCUMENTS

WO 2009/094182 A2 7/2009

(Continued)

OTHER PUBLICATIONS

From the Fresenius Medical Care web site: <http://www.fmc-ag.com/internet/fmc/fmcag/neu/fmcpub.nsf/Content/Photo+Gallery+Product+PD>.

Primary Examiner — T. Chase Nelson

Assistant Examiner — Anhdao Doan

(74) *Attorney, Agent, or Firm* — Wolf, Greenfield & Sacks, P.C.

(57) **CLAIM**

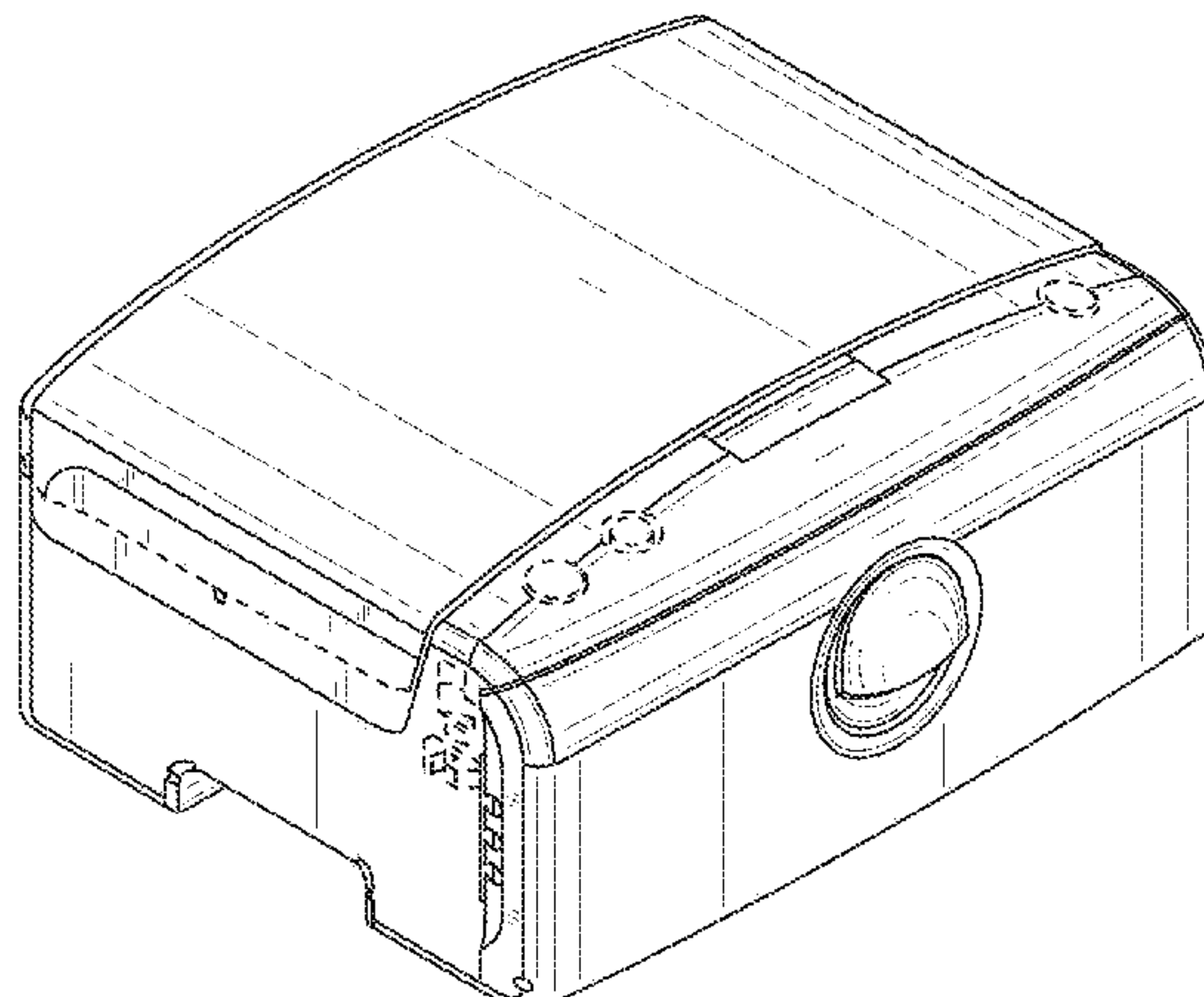
The ornamental design for a peritoneal dialysis machine, as shown and described.

DESCRIPTION

FIG. 1 is a left perspective view of the peritoneal dialysis machine;
FIG. 2 is a right perspective view thereof;
FIG. 3 is a front side view thereof;
FIG. 4 is a rear side view thereof;
FIG. 5 is a top side view thereof;
FIG. 6 is a left side view thereof;
FIG. 7 is a right side view thereof;
FIG. 8 is a left perspective view of a second embodiment of the peritoneal dialysis machine;
FIG. 9 is a right perspective view thereof;
FIG. 10 is a front side view thereof;
FIG. 11 is a rear side view thereof;
FIG. 12 is a top side view thereof;
FIG. 13 is a left side view thereof; and,
FIG. 14 is a right side view thereof.

The broken lines in the drawing views are included for the purpose of illustrating portions of the dialysis machine that form no part of the claimed design.

1 Claim, 14 Drawing Sheets



US D637,294 S

Page 2

U.S. PATENT DOCUMENTS

7,153,286 B2 * 12/2006 Busby et al. 210/252
7,195,607 B2 * 3/2007 Westberg et al. 604/6.11
D556,910 S * 12/2007 Reihanifam et al. D24/169
7,559,913 B1 * 7/2009 Jeppsson et al. 604/29
7,632,080 B2 12/2009 Tracey et al.

FOREIGN PATENT DOCUMENTS

WO 2009/094183 A1 7/2009
WO 2009/094185 A2 7/2009
WO 2009/094186 A2 7/2009

* cited by examiner

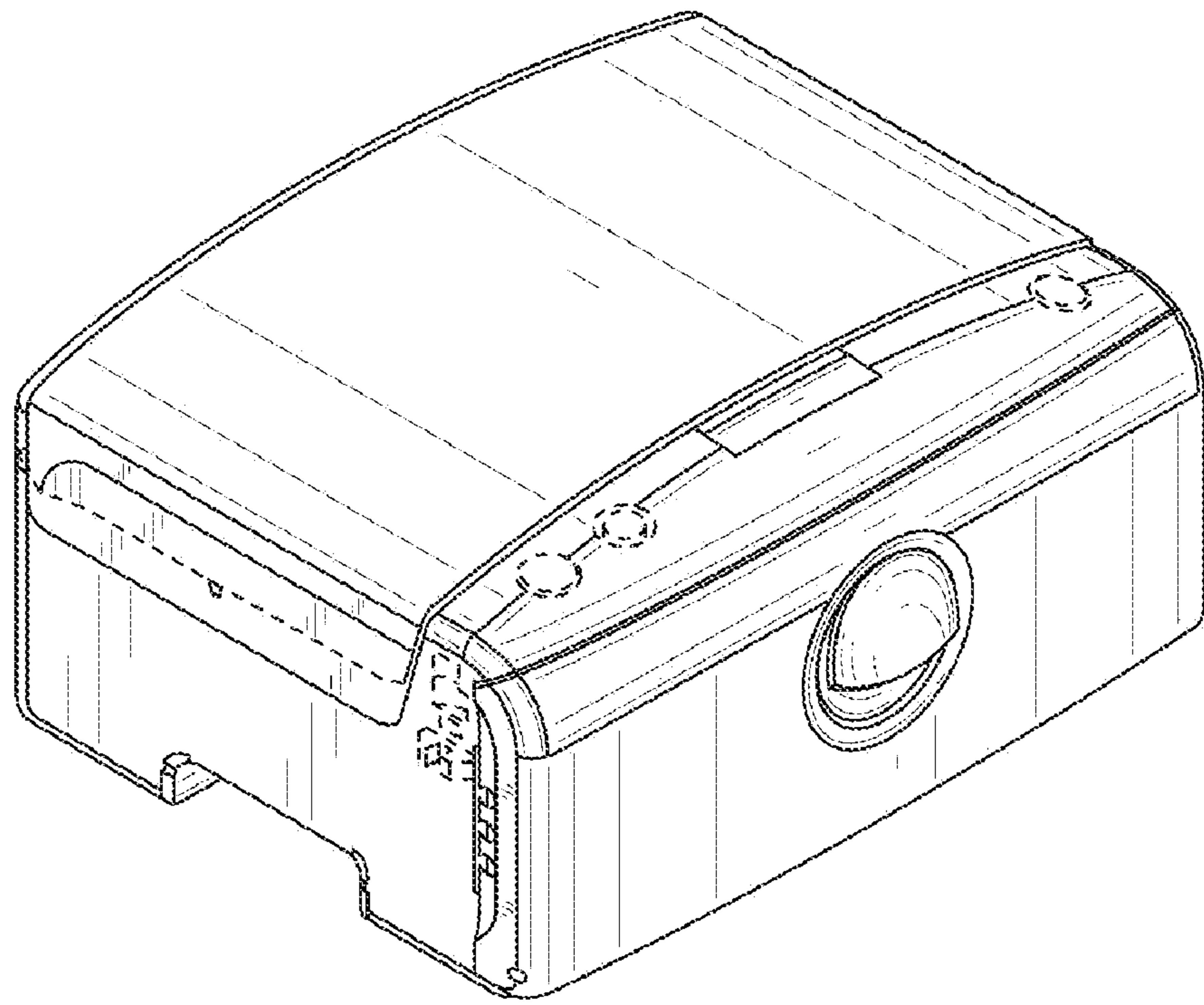


FIG. 1

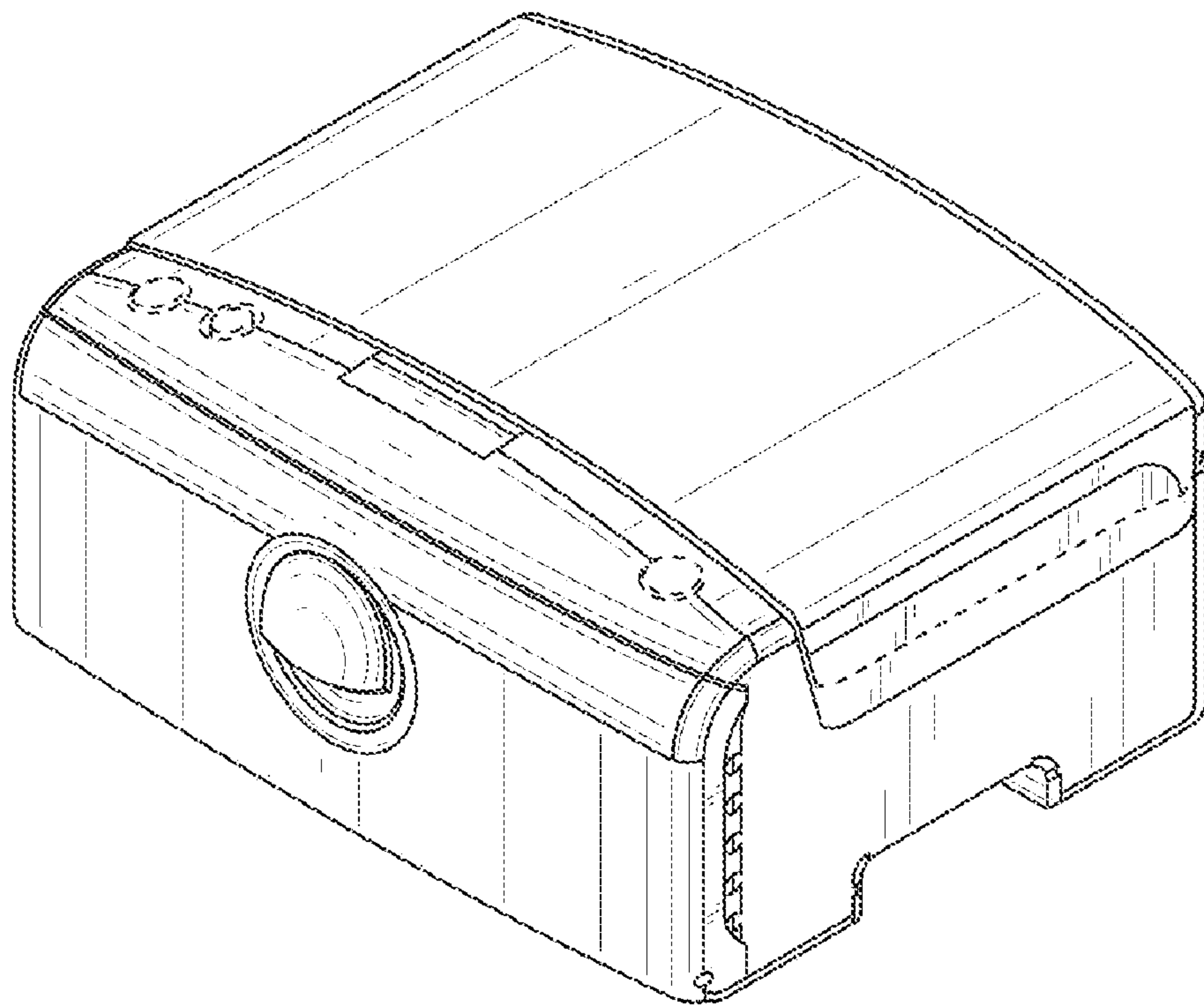


FIG. 2

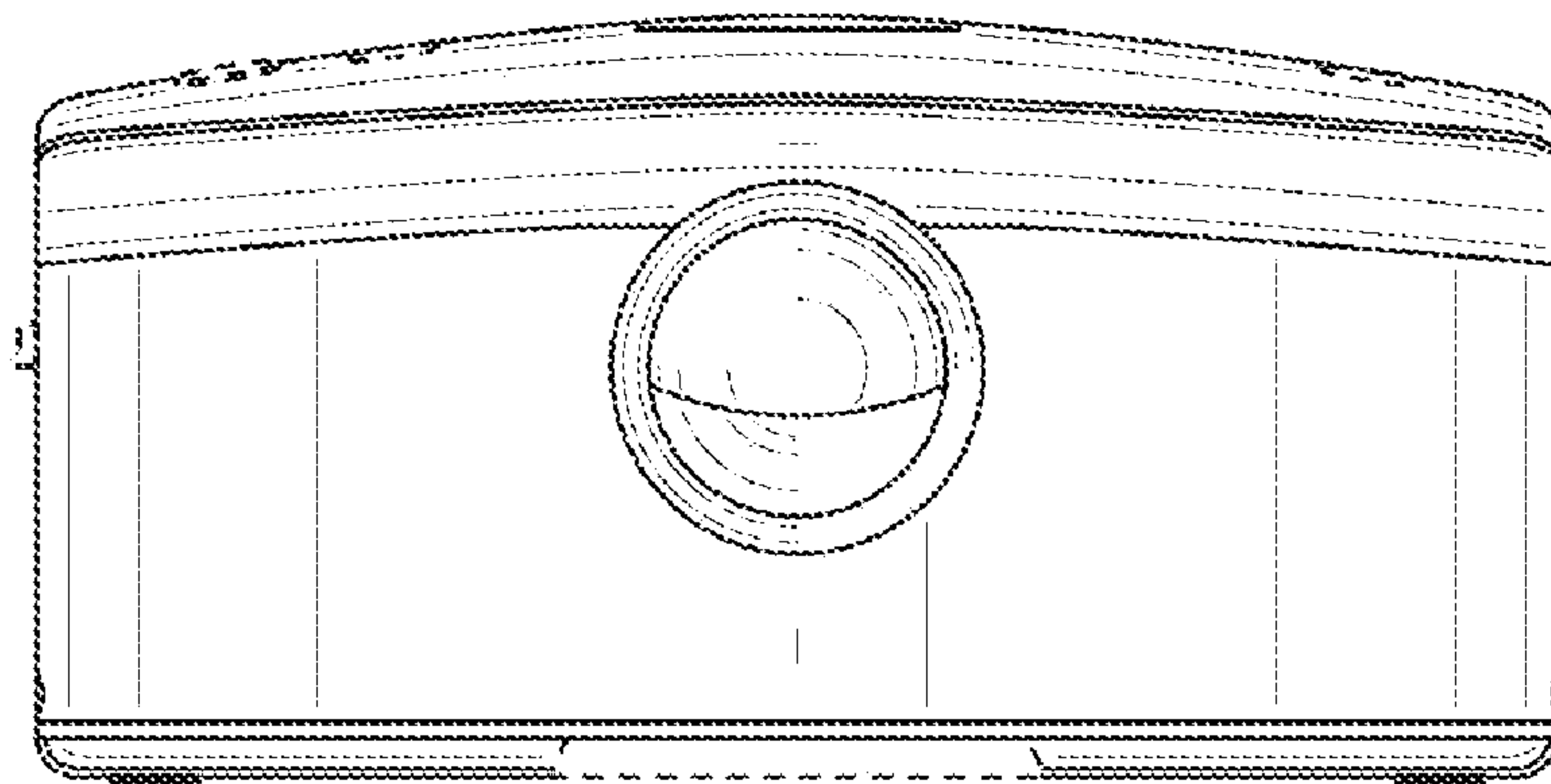


FIG. 3

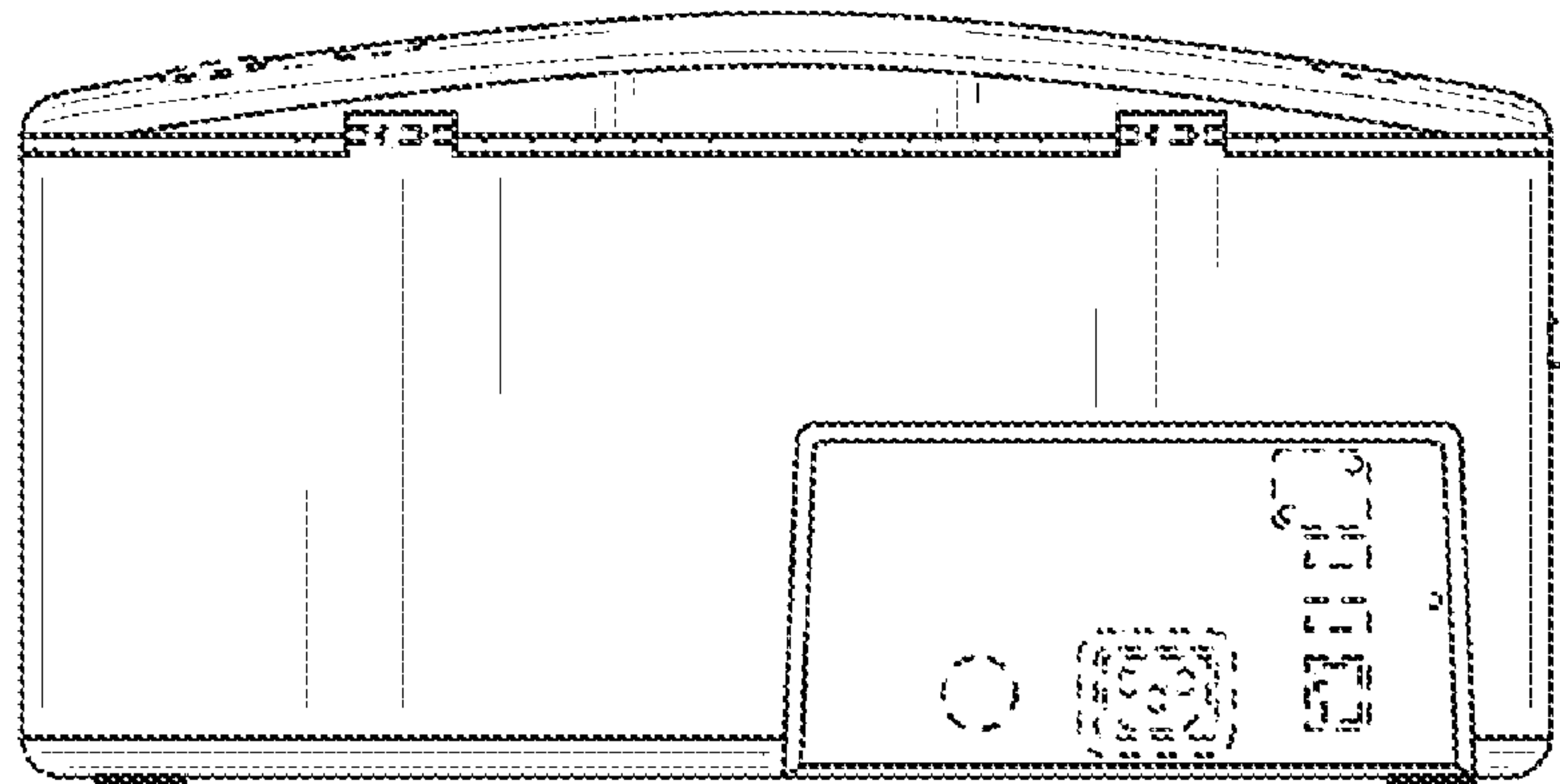


FIG. 4

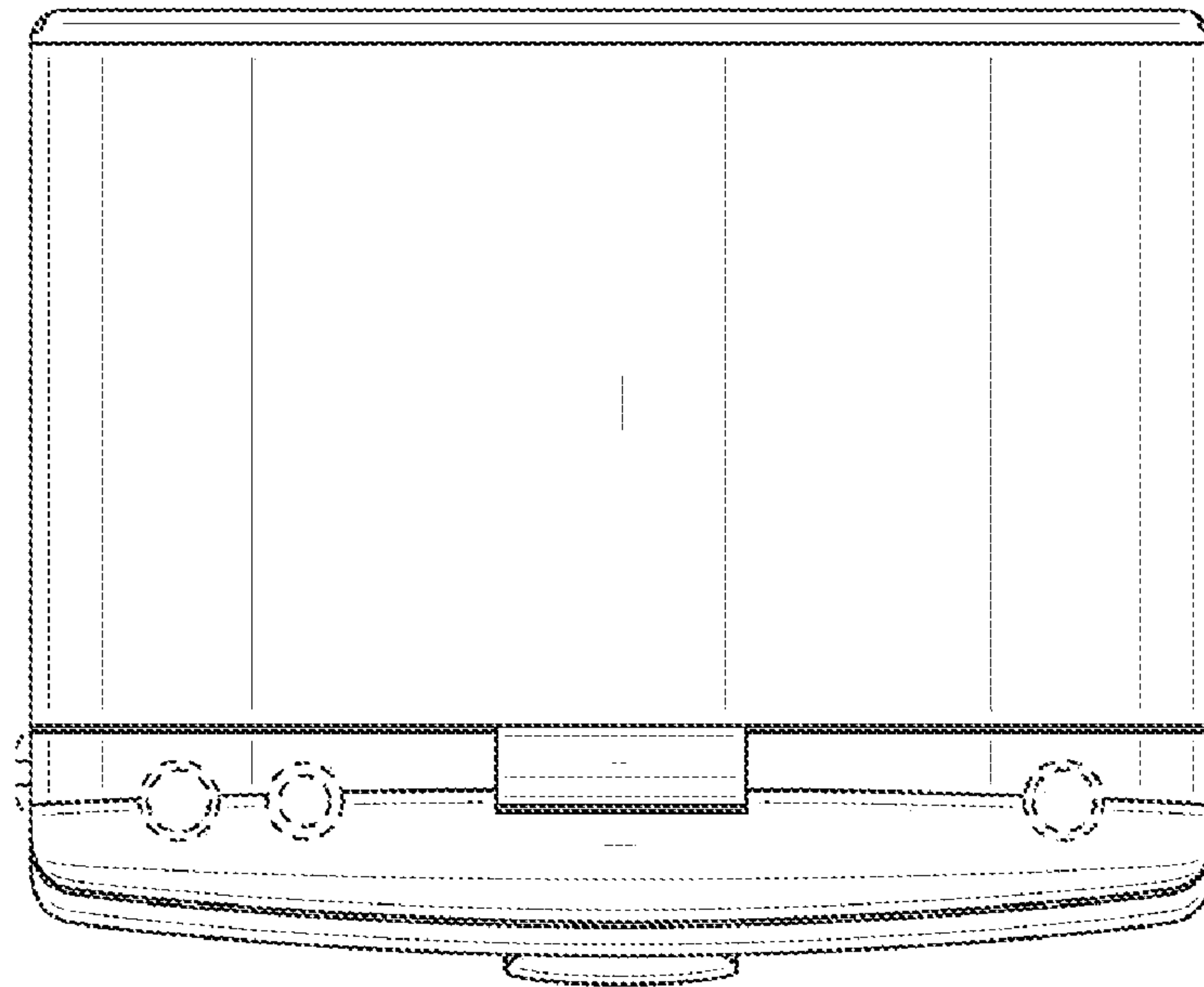


FIG. 5

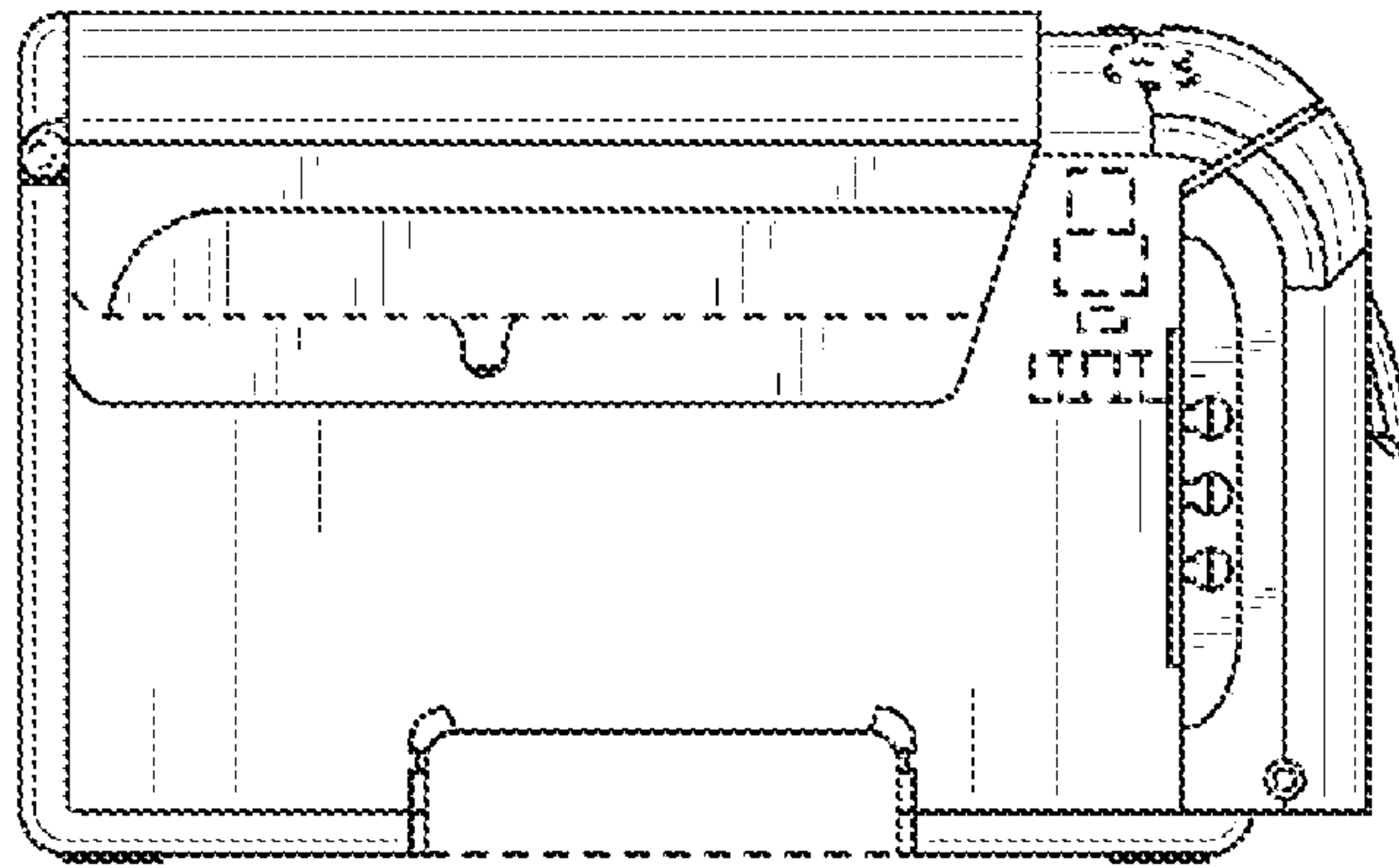


FIG. 6

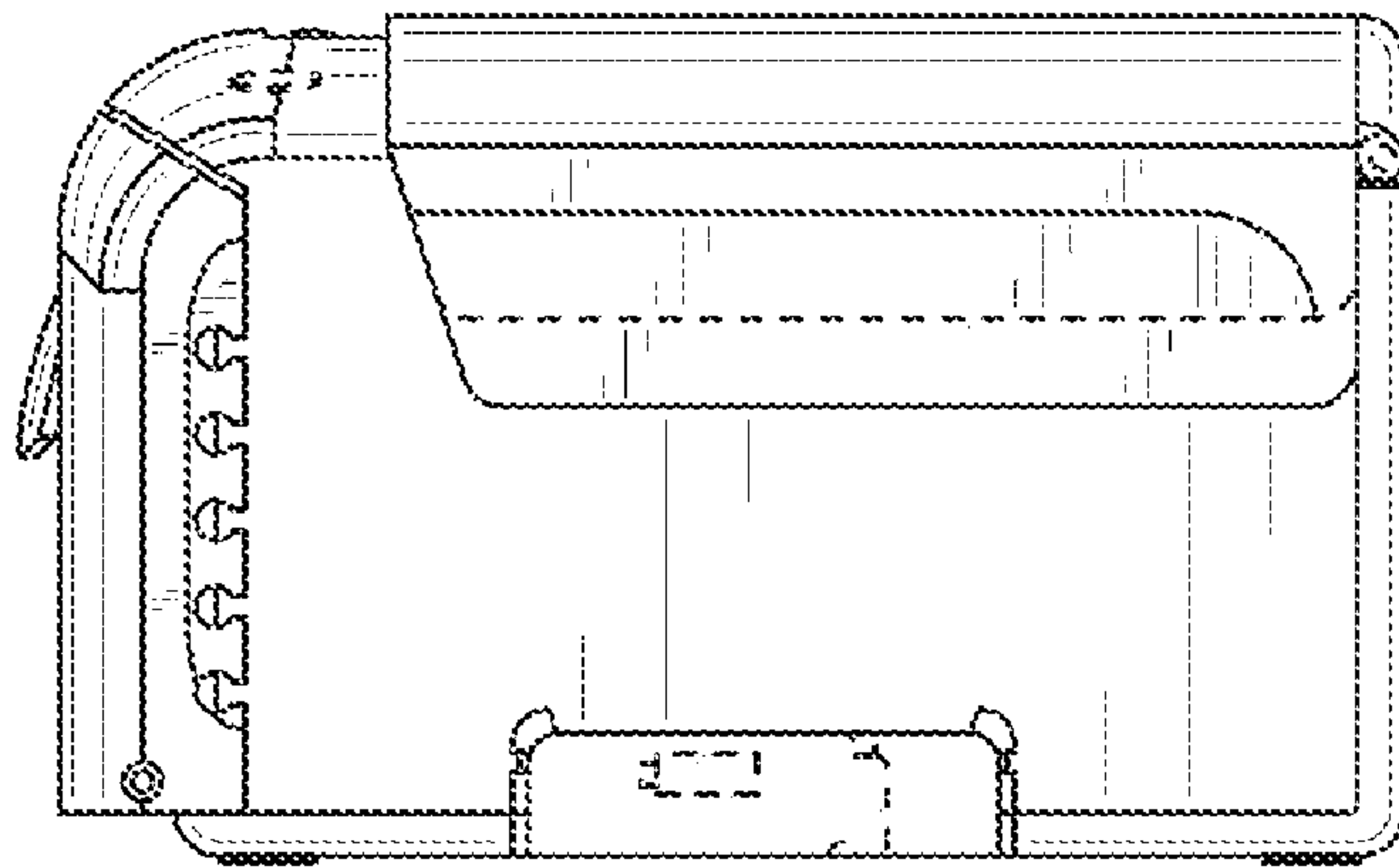


FIG. 7

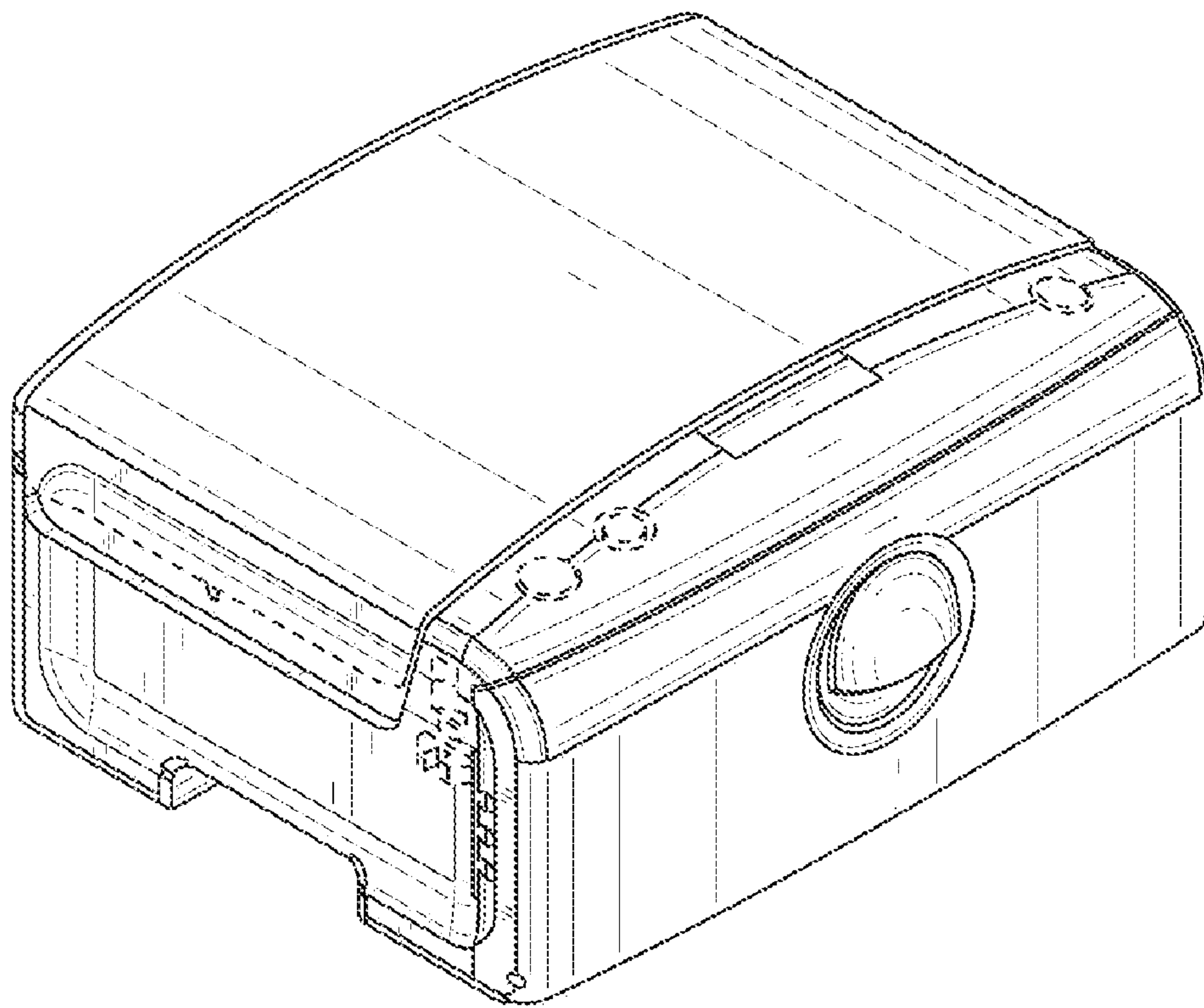


FIG. 8

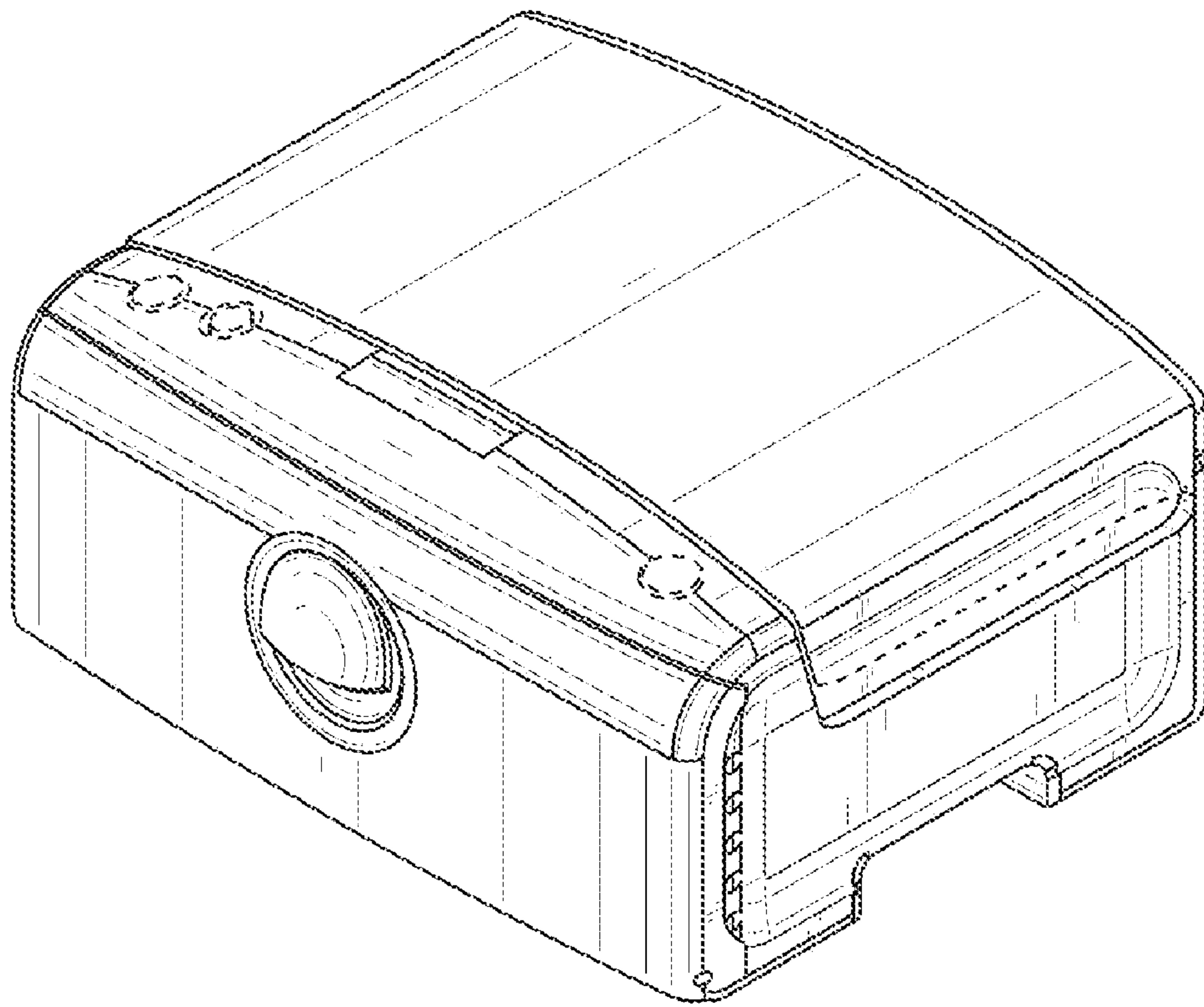


FIG. 9

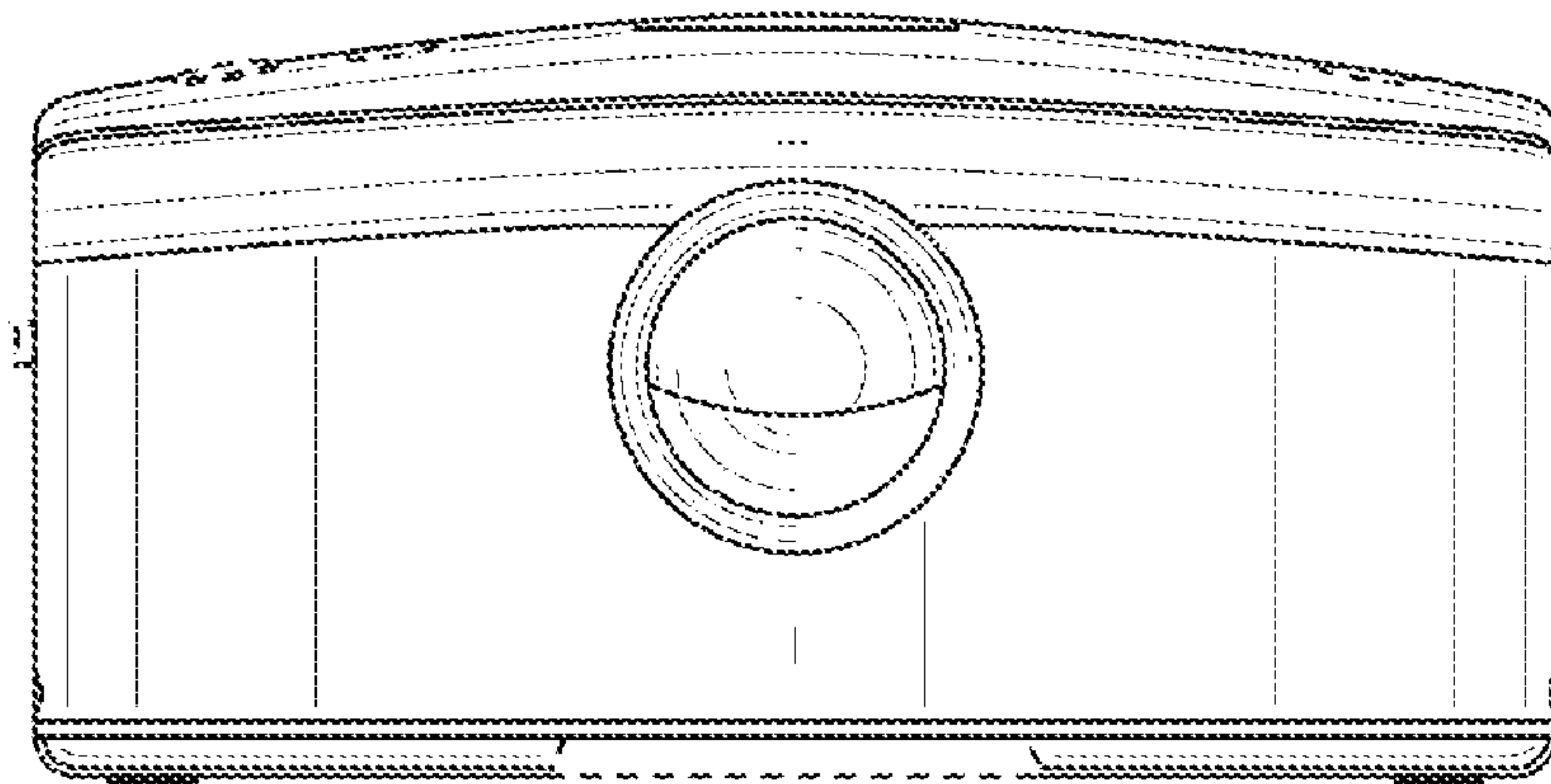


FIG. 10

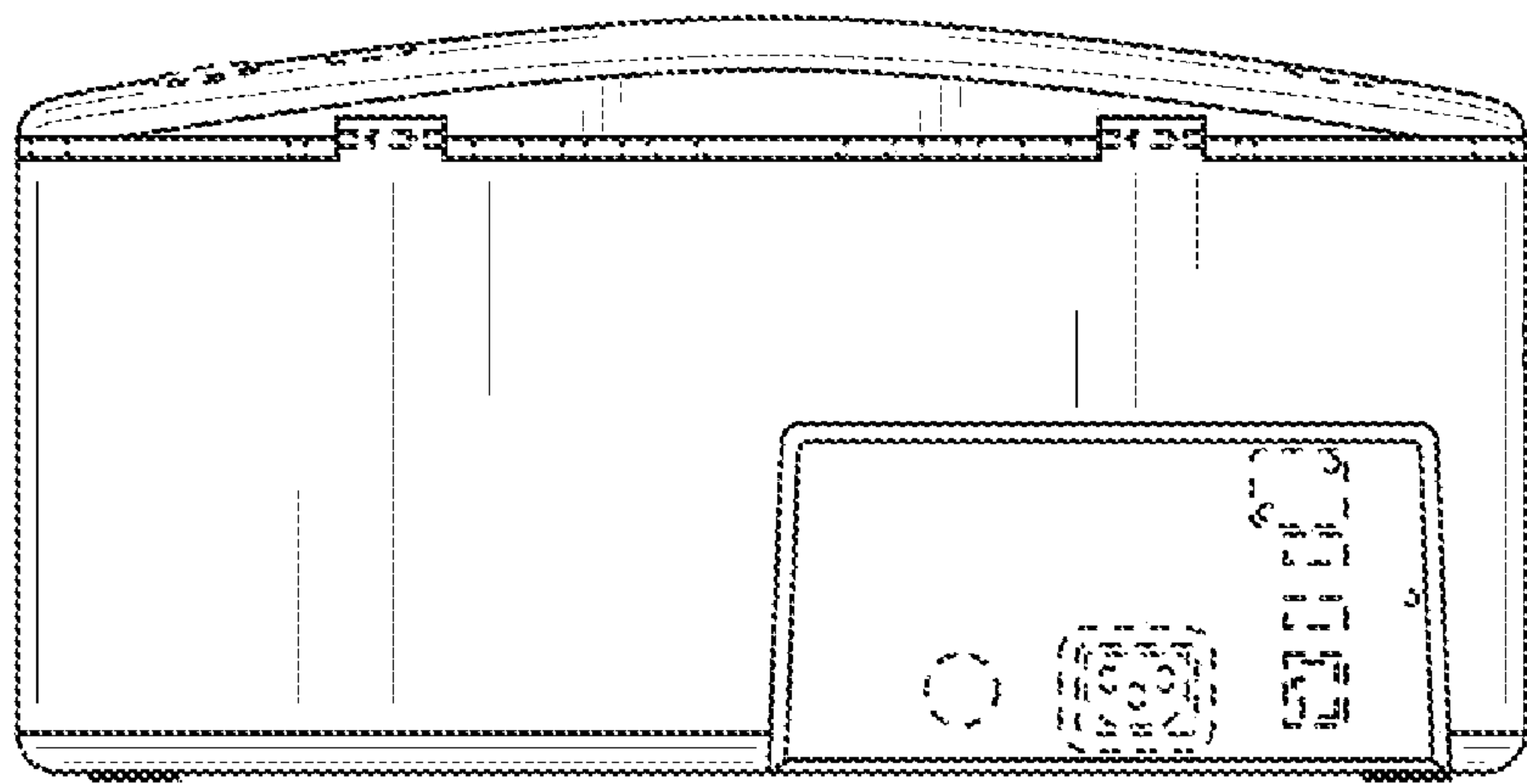


FIG. 11

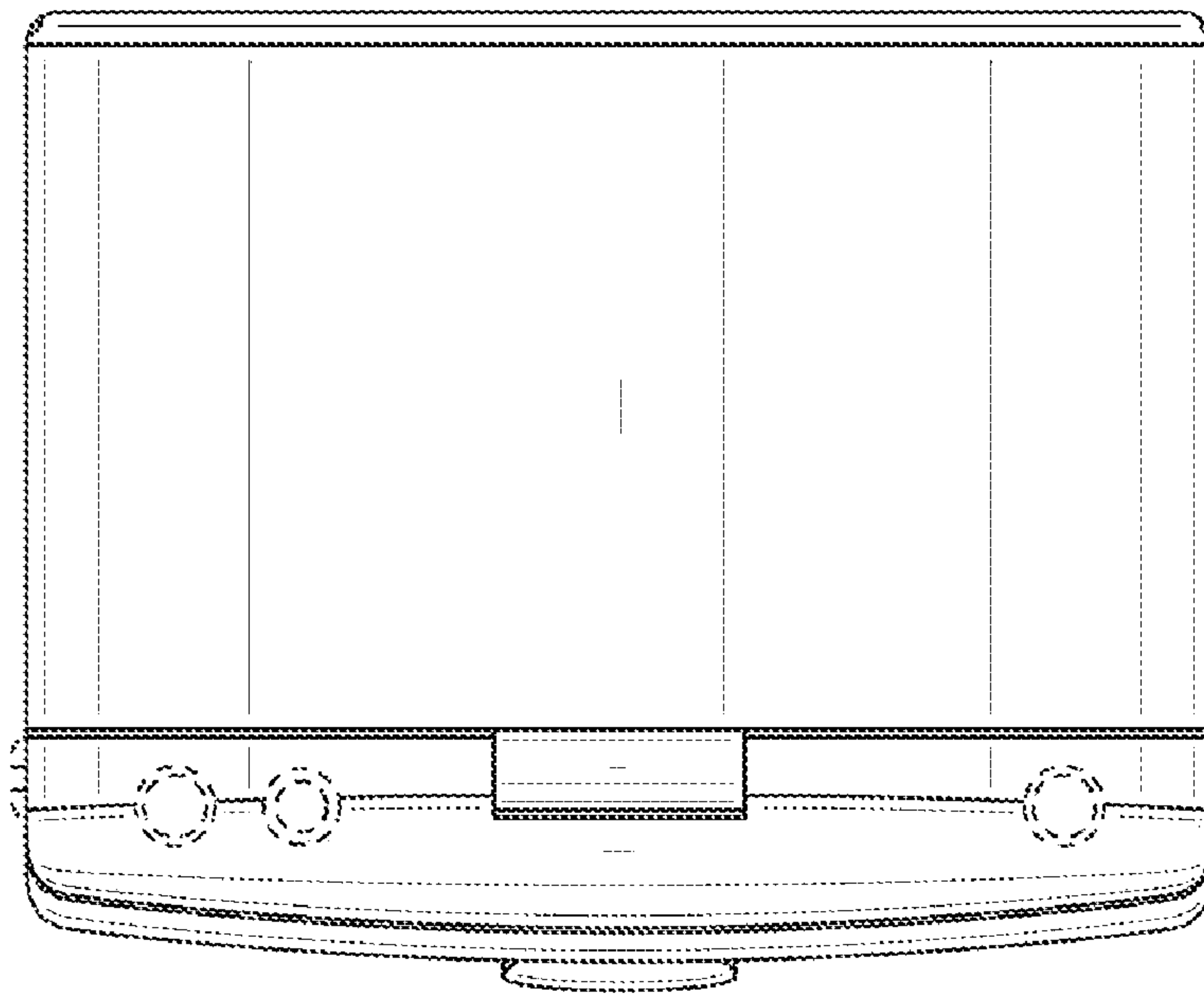


FIG. 12

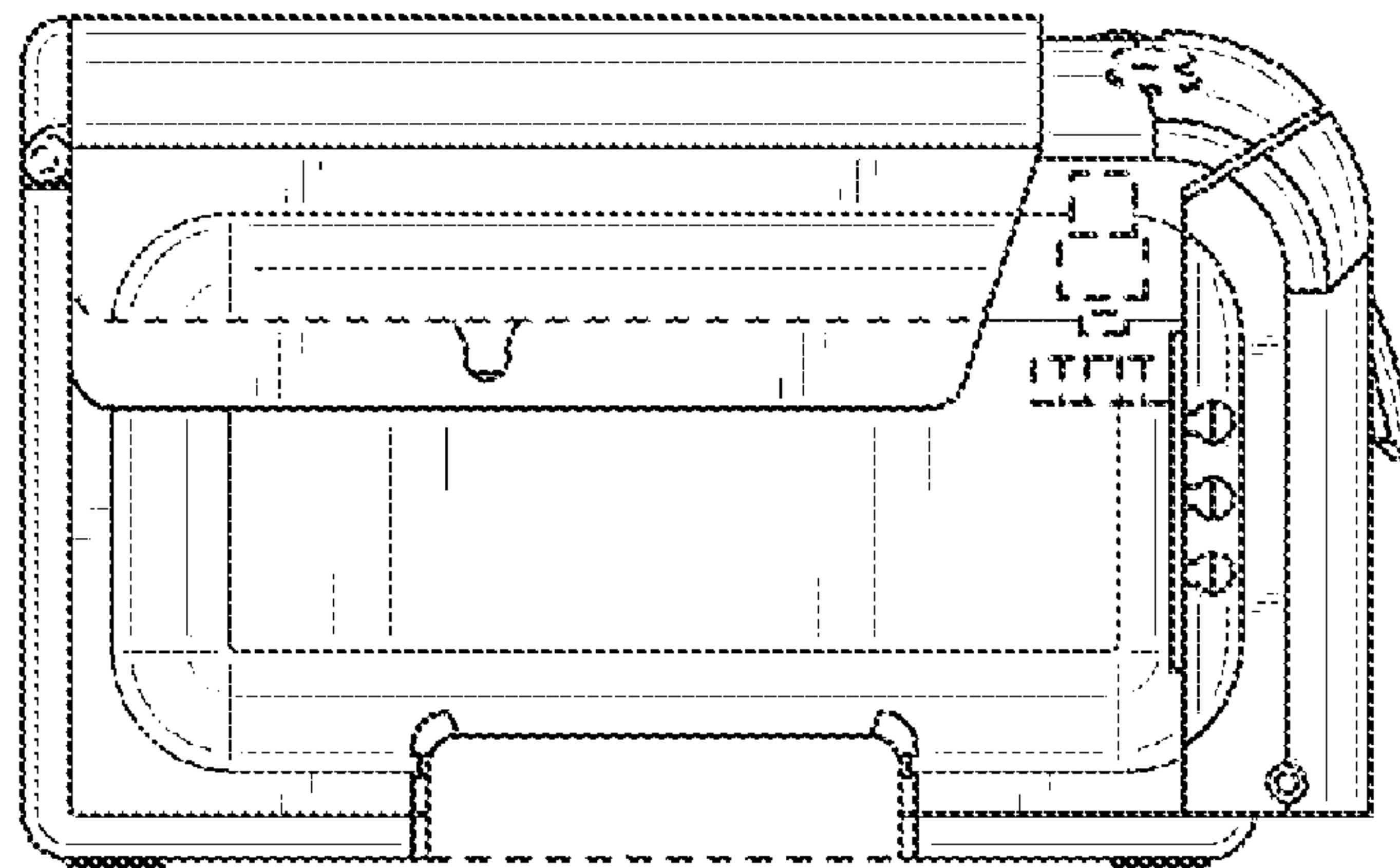


FIG. 13

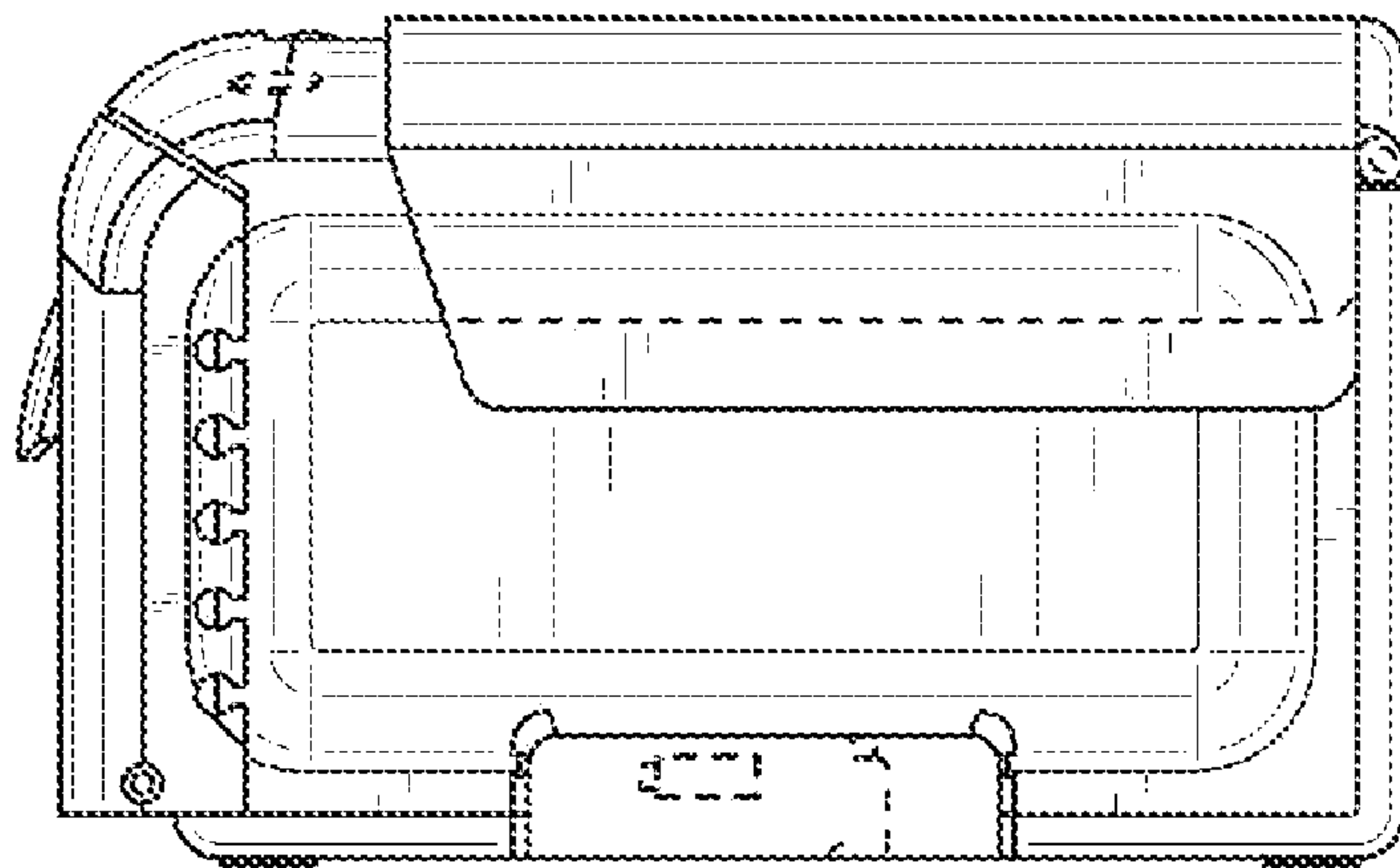


FIG. 14