

US00D637293S

(12) **United States Design Patent**
Hickey et al.

(10) **Patent No.:** **US D637,293 S**

(45) **Date of Patent:** **** May 3, 2011**

(54) **DIALYSIS MACHINE**

(75) Inventors: **Katherine M. Hickey**, Manchester, NH (US); **Jacob W. Scarpaci**, Manchester, NH (US); **David J. Hibbard**, Bedford, NH (US); **David E. Collins**, Manchester, NH (US); **Matthew J. Finch**, Amherst, NH (US); **Jason A. Demers**, Manchester, NH (US)

(73) Assignee: **DEKA Products Limited Partnership**, Manchester, NH (US)

(**) Term: **14 Years**

(21) Appl. No.: **29/331,310**

(22) Filed: **Jan. 23, 2009**

(51) **LOC (9) Cl.** **24-01**

(52) **U.S. Cl.** **D24/169**

(58) **Field of Classification Search** D24/169, D24/186, 138; D10/81; 210/252, 253, 321.65, 210/321.75, 645, 646; 435/286.5, 297.1, 435/297.2; 604/28, 29, 65, 131
See application file for complete search history.

7,195,607 B2 * 3/2007 Westberg et al. 604/6.11
D556,910 S * 12/2007 Reihanifam et al. D24/169
7,559,913 B1 * 7/2009 Jeppsson et al. 604/29
7,632,080 B2 12/2009 Tracey et al.

(Continued)

FOREIGN PATENT DOCUMENTS

WO 2009/094182 A2 7/2009

(Continued)

OTHER PUBLICATIONS

“2008 Mini Cooper Interior View Photo,” 2 pages, http://www.motortrend.com/roadtests/hatchbacks/112_0702_2007_mini_cooper/photo_04.html (accessed Jul. 16, 2009).

(Continued)

Primary Examiner — T. Chase Nelson

Assistant Examiner — Anhdao Doan

(74) *Attorney, Agent, or Firm* — Wolf, Greenfield & Sacks, P.C.

(57) **CLAIM**

The ornamental design for a dialysis machine, as shown and described.

DESCRIPTION

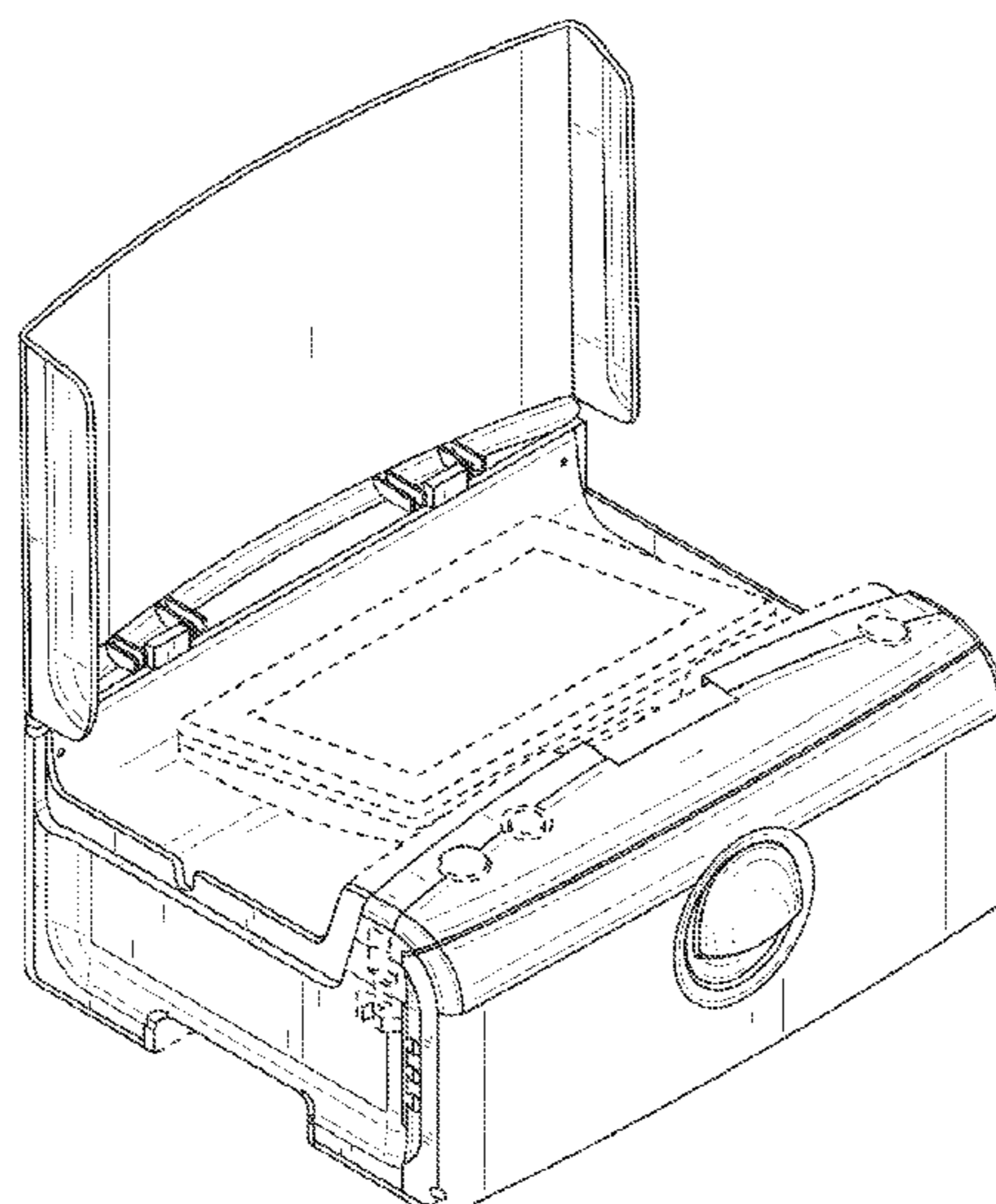
FIG. 1 is a perspective view of the dialysis machine showing the top, front and left sides thereof; FIG. 2 is a perspective view of the dialysis machine showing the top, front and right sides thereof; FIG. 3 is a front side view thereof; FIG. 4 is a top side view thereof; FIG. 5 is a rear side view thereof; FIG. 6 is a left side view thereof; and, FIG. 7 is a right side view thereof. The broken lines in the drawing views are included for the purpose of illustrating portions of the dialysis machine that form no part of the claimed design.

1 Claim, 7 Drawing Sheets

(56) **References Cited**

U.S. PATENT DOCUMENTS

D308,249 S * 5/1990 Buckley D24/169
D320,079 S * 9/1991 Kida D24/169
D341,890 S * 11/1993 Sievert et al. D24/169
D344,339 S * 2/1994 Yoshikawa et al. D24/169
5,350,357 A 9/1994 Kamen et al.
D351,469 S * 10/1994 Okamoto et al. D24/169
D351,470 S * 10/1994 Scherer et al. D24/169
D370,979 S * 6/1996 Pascale et al. D24/169
D381,748 S * 7/1997 Matsuda et al. D24/169
6,070,761 A 6/2000 Bloom et al.
D437,408 S * 2/2001 Menzler et al. D24/107
6,210,361 B1 4/2001 Kamen et al.
D452,564 S * 12/2001 Micinski et al. D24/169
6,595,948 B2 * 7/2003 Suzuki et al. 604/29
7,153,286 B2 * 12/2006 Busby et al. 604/6.11



US D637,293 S

Page 2

U.S. PATENT DOCUMENTS

2009/0101549 A1 4/2009 Kamen
2009/0114582 A1 5/2009 Grant

FOREIGN PATENT DOCUMENTS

WO 2009/094183 A1 7/2009
WO 2009/094185 A2 7/2009
WO 2009/094186 A2 7/2009

OTHER PUBLICATIONS

From the Fresenius Medical Care web site: <http://www.fmc-ag.com/internet/fmc/fmcag/neu/fmcpub.nsf/Content/Photo+Gallery+Product+PD>.
Photo of 2007 Mini Cooper S Convertible door controls, 1 page, http://1.yimg.com/dv/izp/mini_cooper_s_convertible_2007_interior_doorcontrols.jpg (accessed Jul. 16, 2009).

* cited by examiner

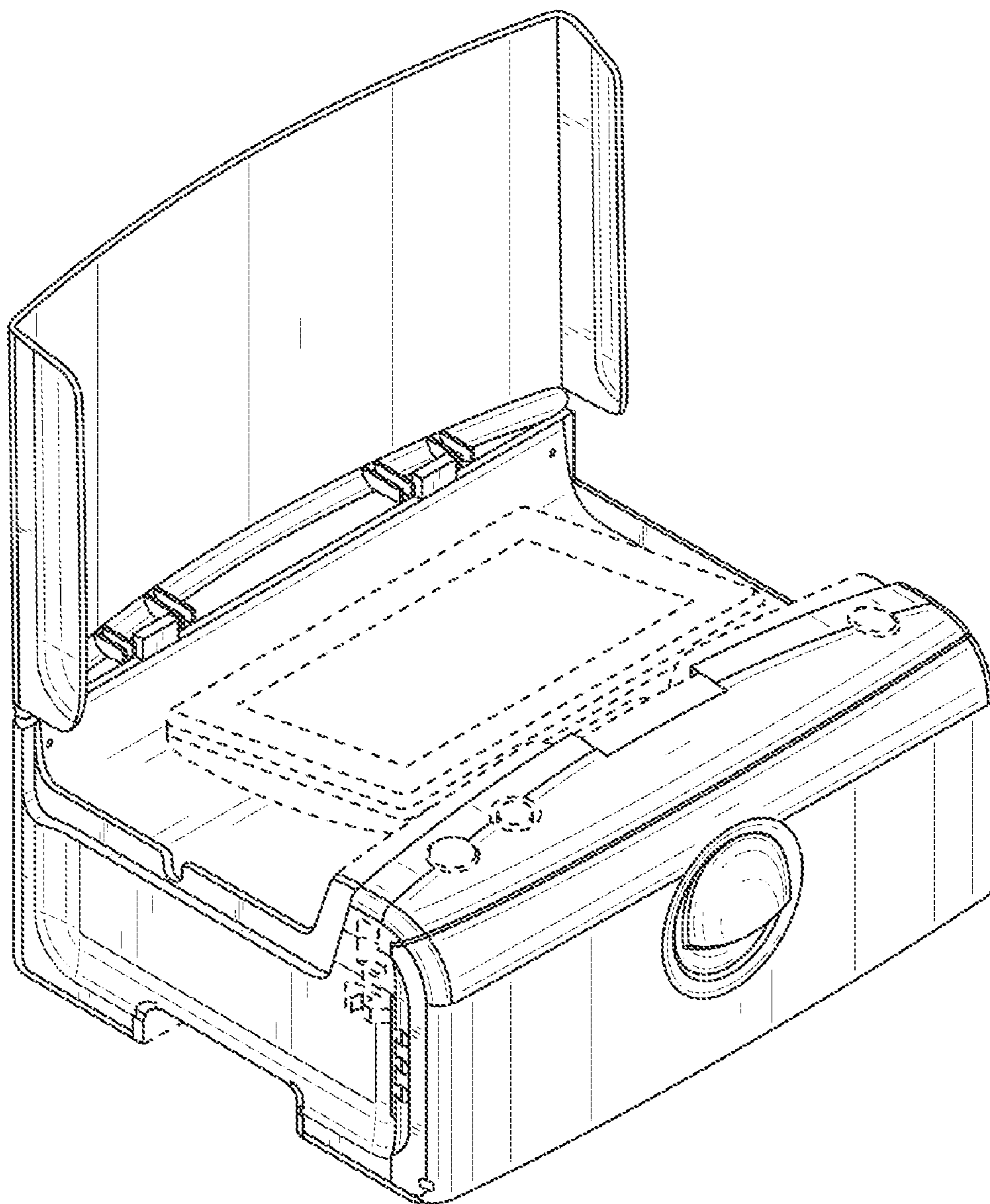


FIG. 1

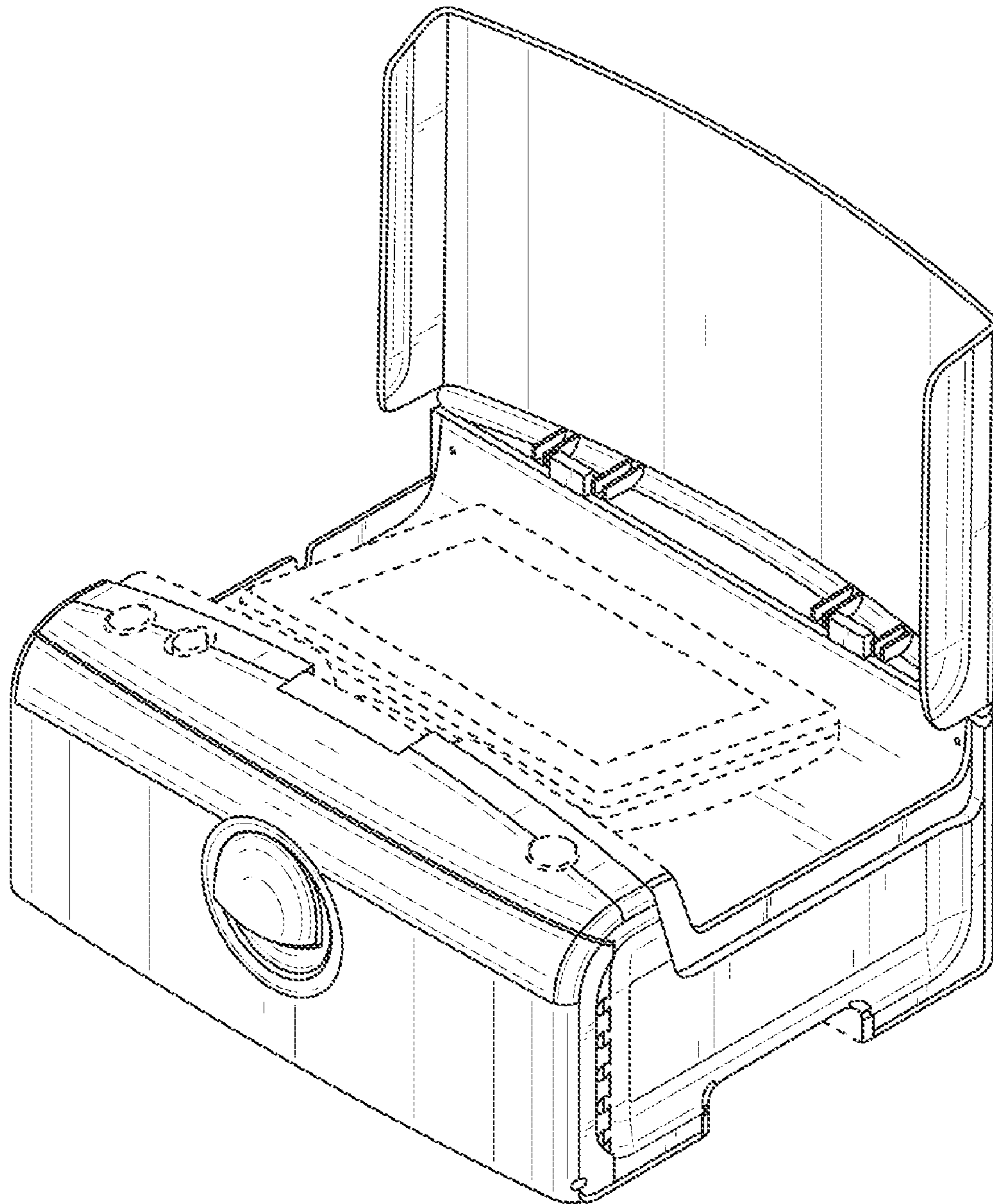


FIG. 2

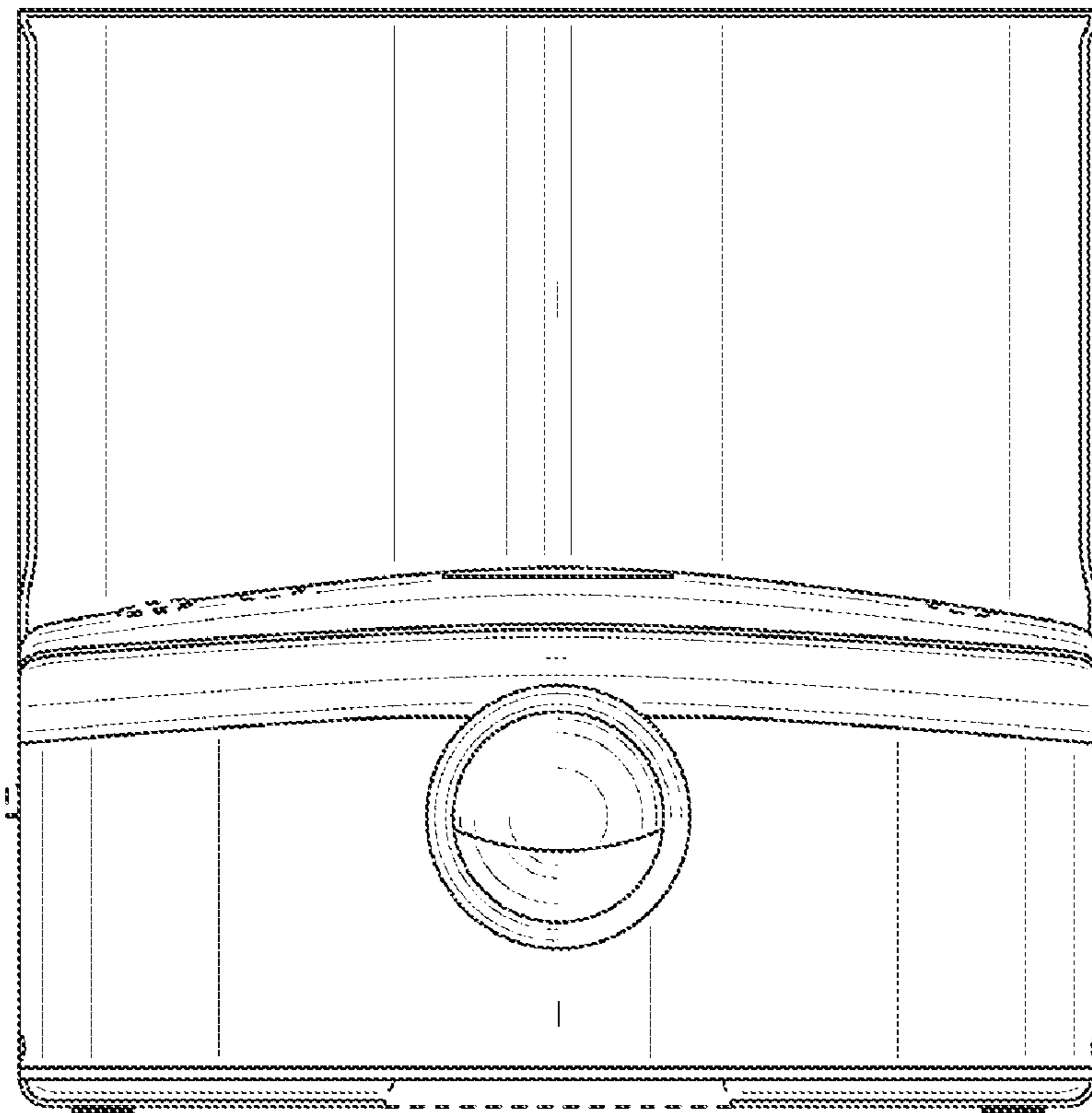


FIG. 3

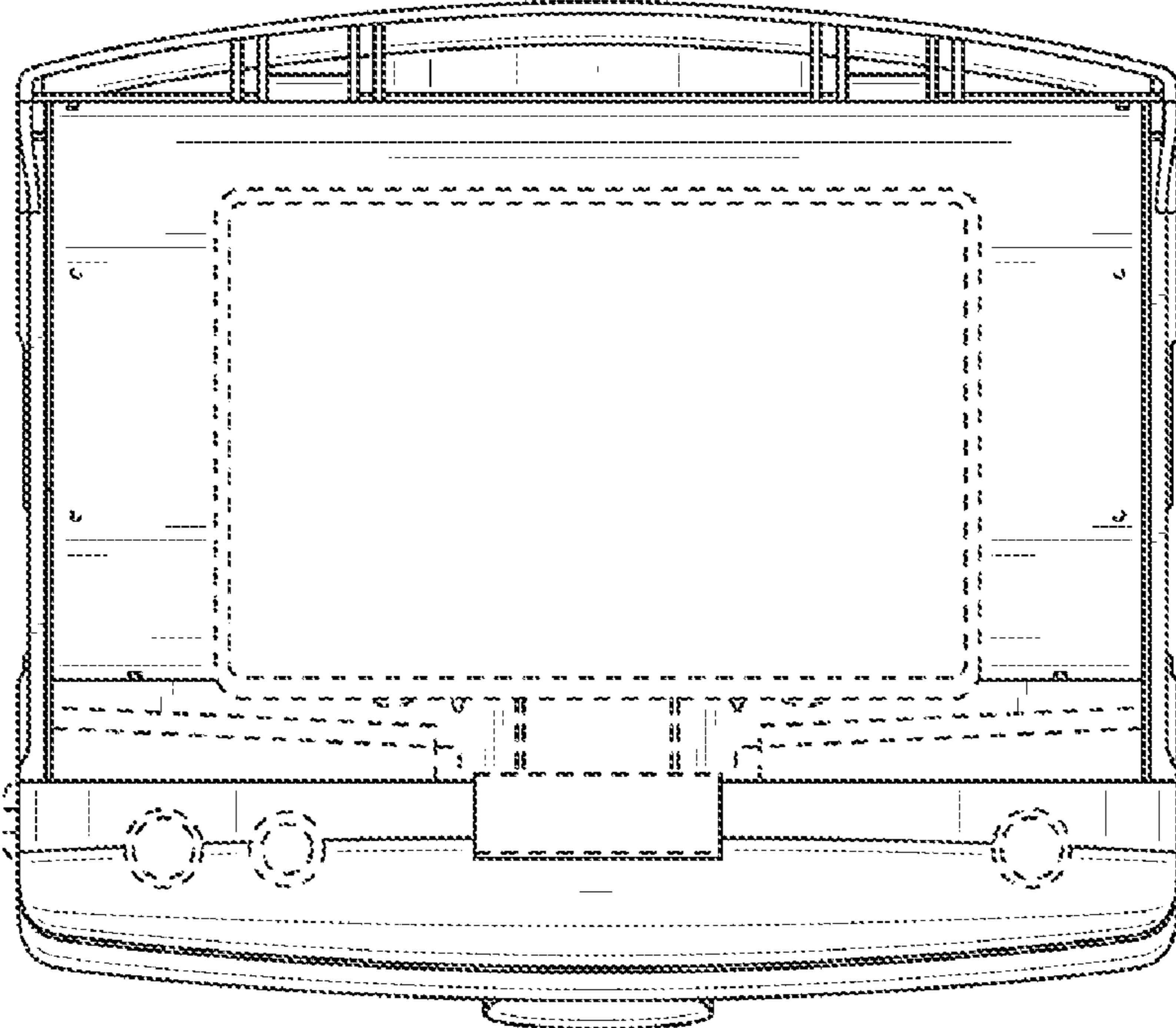


FIG. 4

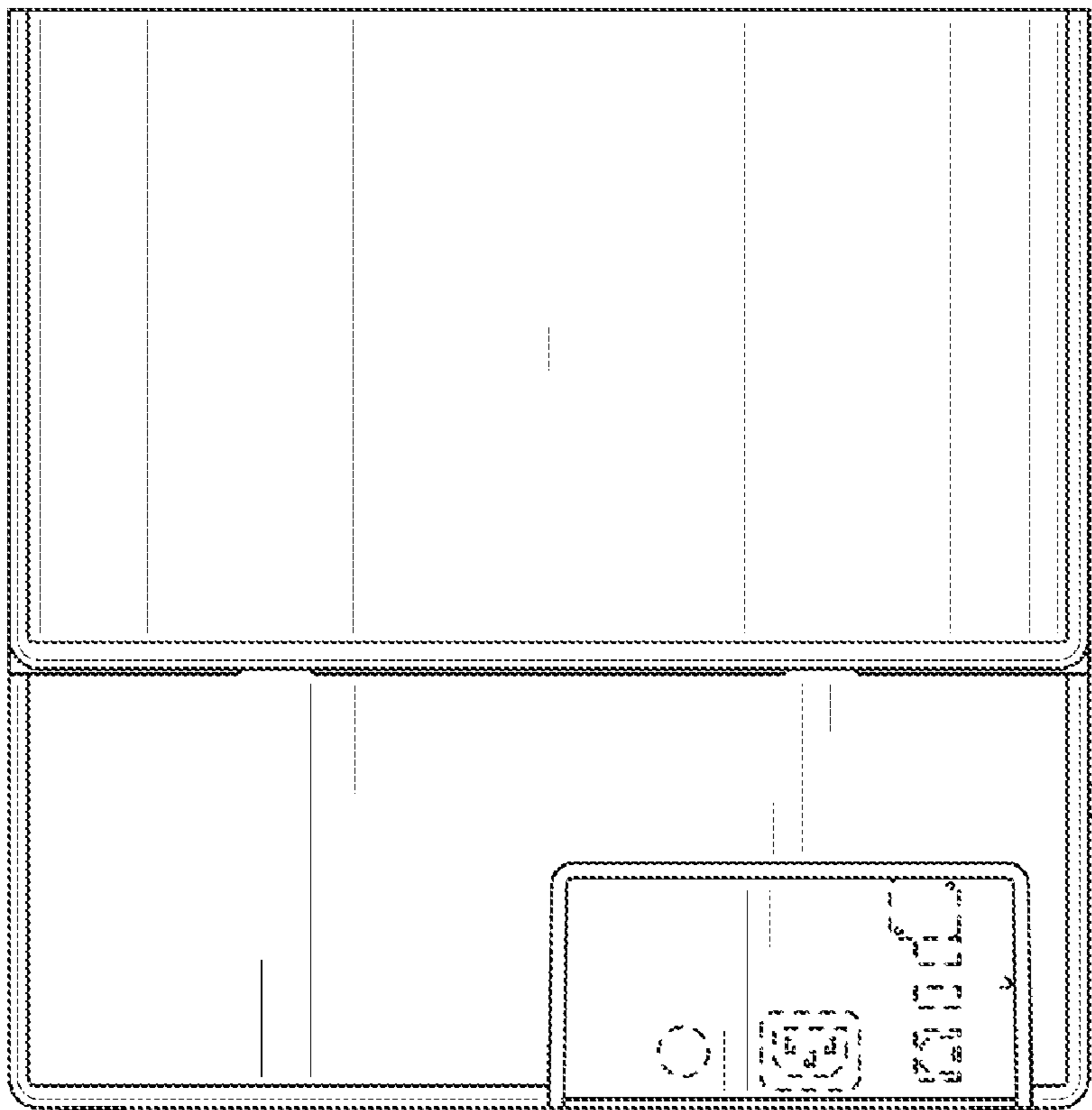


FIG. 5

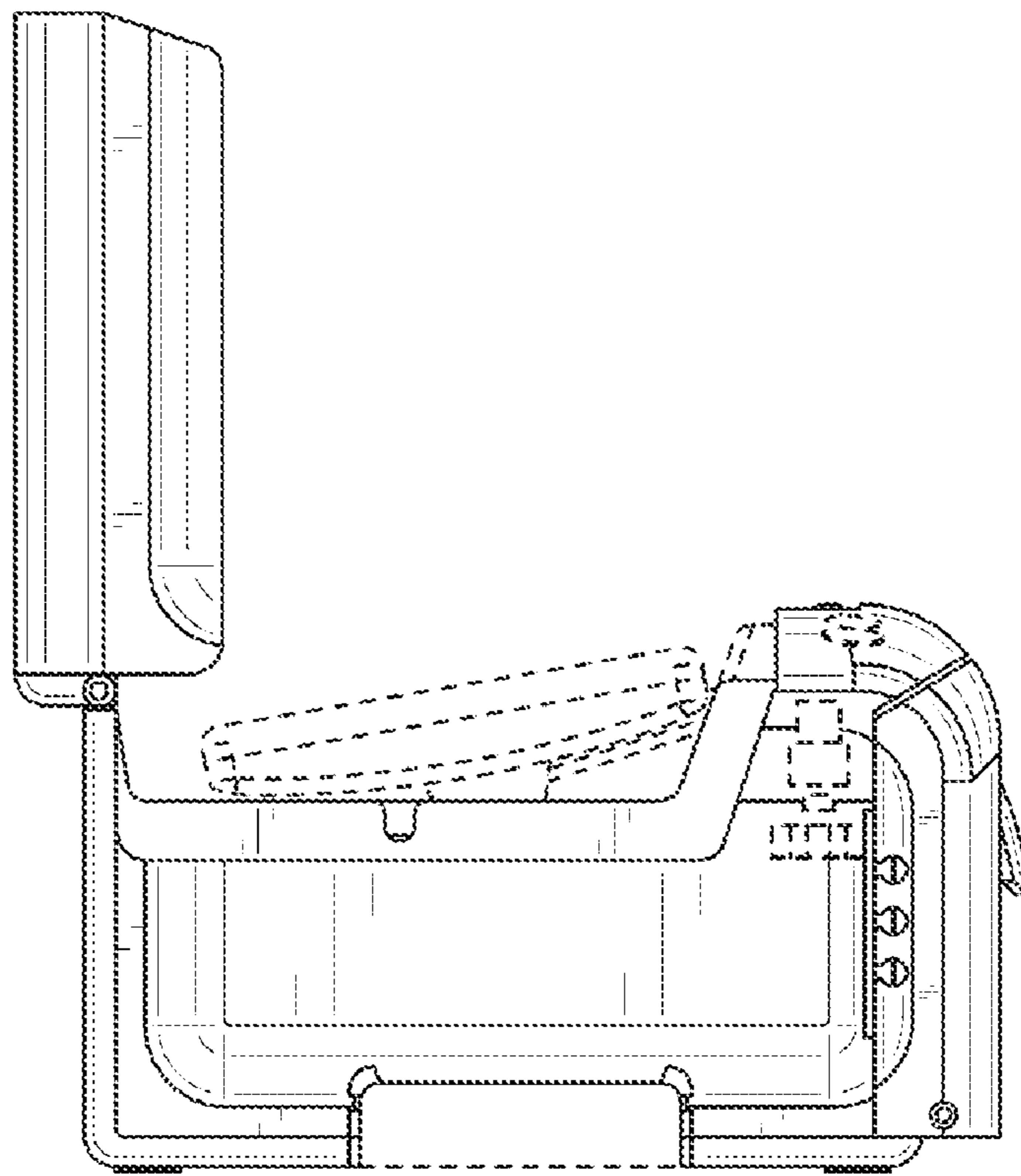


FIG. 6

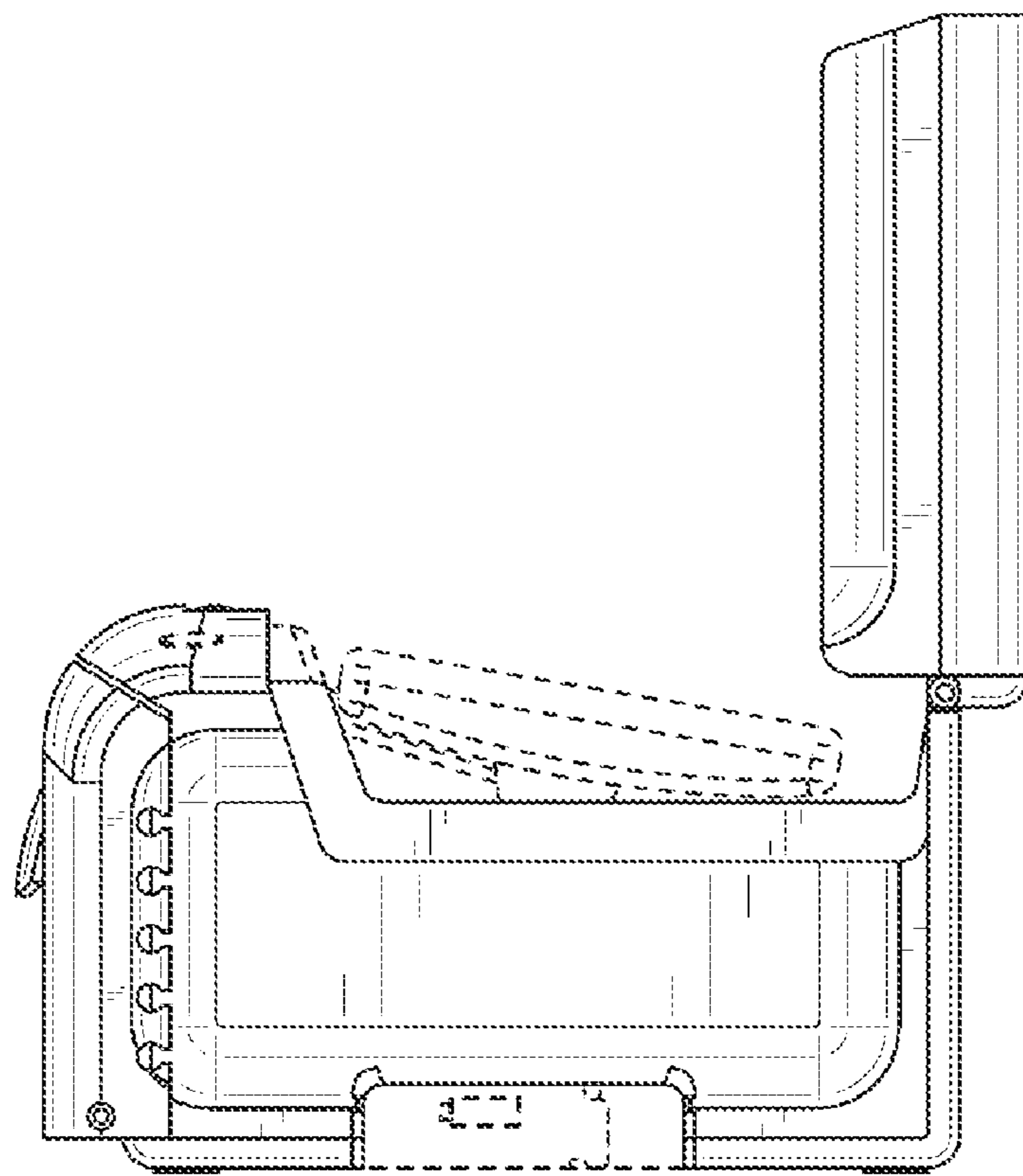


FIG. 7