



US00D637292S

(12) **United States Design Patent**
Hudson

(10) **Patent No.:** **US D637,292 S**

(45) **Date of Patent:** **** May 3, 2011**

(54) **MINI INCUBATOR**

(75) Inventor: **Trevor Hudson**, Rodborough (GB)

(73) Assignee: **Brinsea Products Limited** (GB)

(**) Term: **14 Years**

(21) Appl. No.: **29/345,553**

(22) Filed: **Oct. 19, 2009**

(30) **Foreign Application Priority Data**

Apr. 20, 2009 (EM) 001130082-001

(51) **LOC (9) Cl.** **24-01**

(52) **U.S. Cl.** **D24/163**

(58) **Field of Classification Search** D24/163,
D24/164; D30/108, 117; D10/50; 600/21,
600/22; 119/6.6, 311, 319, 320

See application file for complete search history.

(56) **References Cited**

U.S. PATENT DOCUMENTS

3,584,605 A * 6/1971 Schwartz 119/319
D250,355 S * 11/1978 Marsh D30/117

D262,653 S * 1/1982 Koh D24/163
5,148,773 A * 9/1992 Ontiveros 119/319
D387,164 S * 12/1997 Barnett et al. D24/163
D404,488 S * 1/1999 Raimann D24/163
D596,962 S * 7/2009 Okamoto et al. D10/50
2007/0186864 A1 * 8/2007 Bae 119/319

* cited by examiner

Primary Examiner — T. Chase Nelson

Assistant Examiner — Anhdao Doan

(74) *Attorney, Agent, or Firm* — MacMillan, Sobanski & Todd, LLC

(57) **CLAIM**

The ornamental design for a mini incubator, as shown.

DESCRIPTION

FIG. 1 is a perspective view of a mini incubator embodying my design.

FIG. 2 is a top plan view thereof.

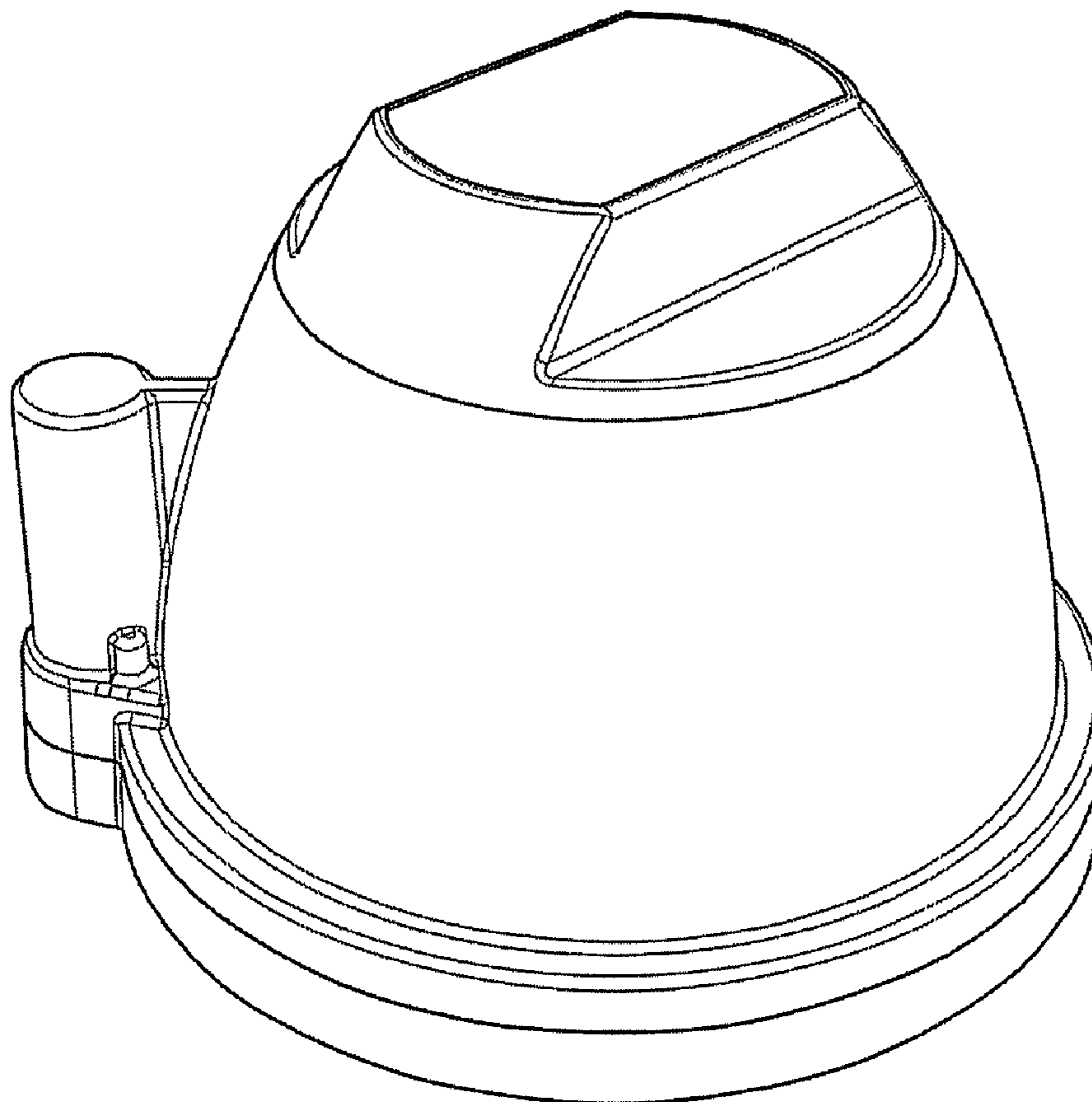
FIG. 3 is a first side elevational view thereof.

FIG. 4 is a second side elevational view thereof.

FIG. 5 is a third side elevational view thereof; and,

FIG. 6 is a fourth side elevational view thereof.

1 Claim, 3 Drawing Sheets



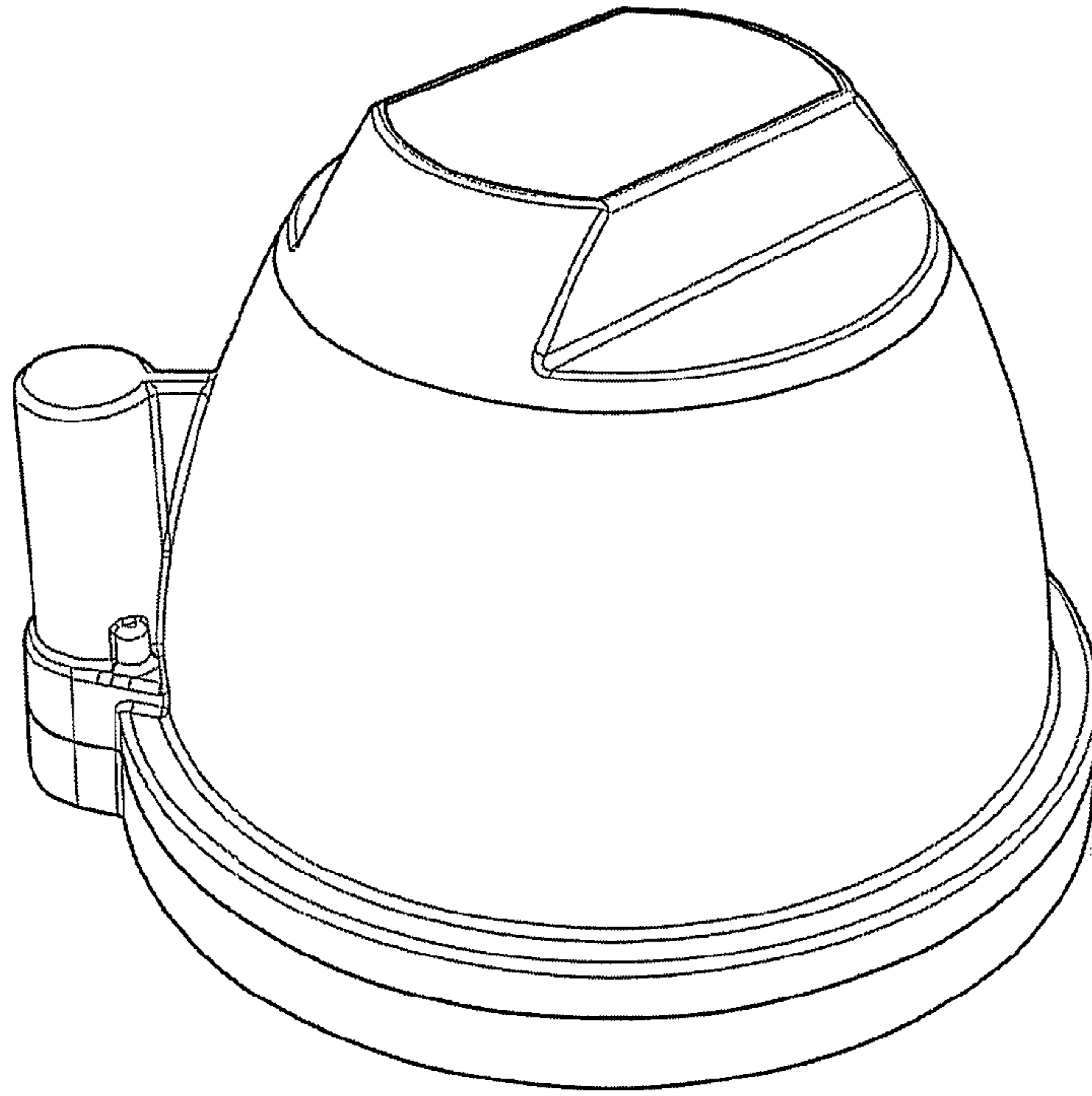


FIG. 1

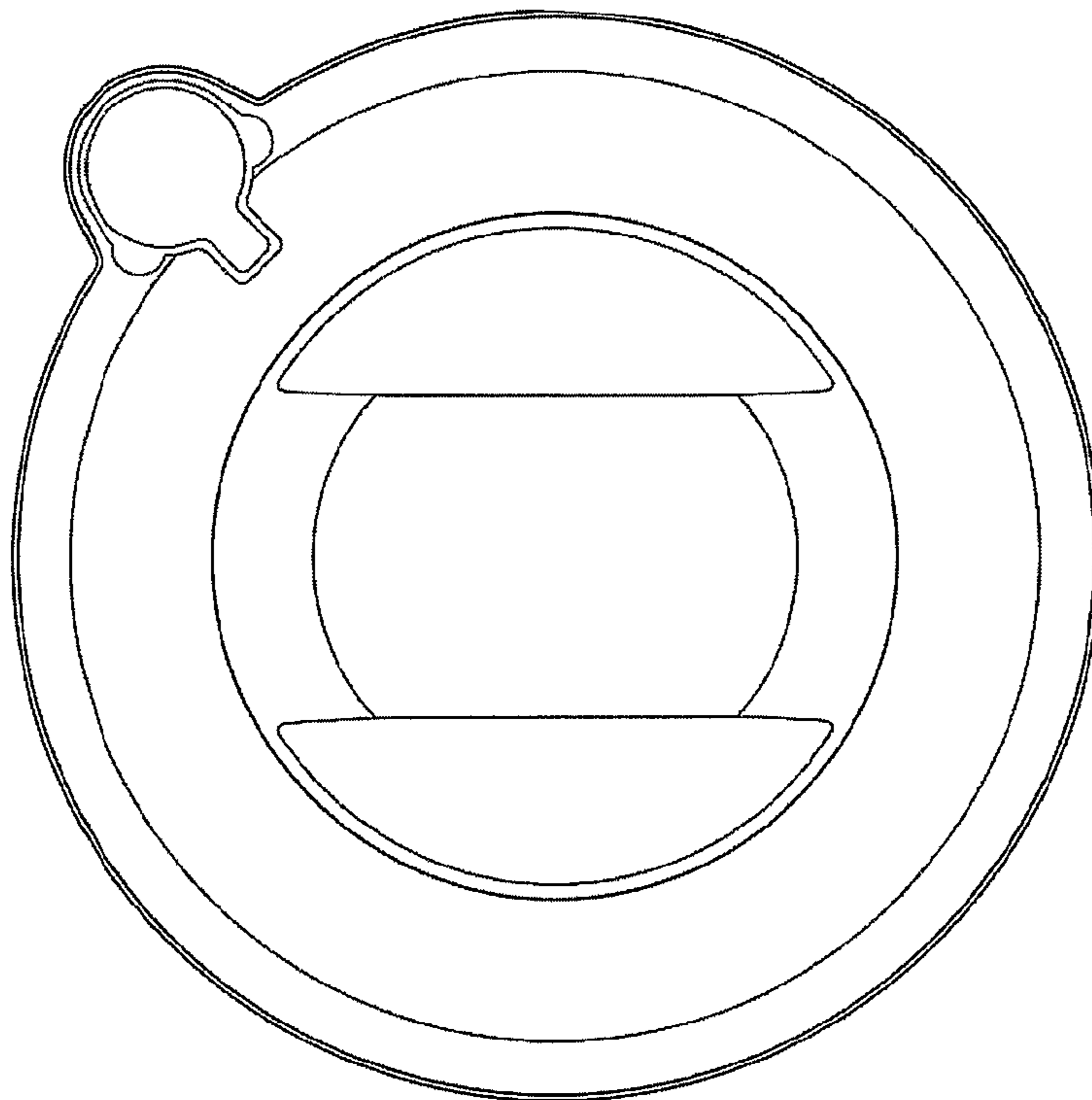


FIG. 2

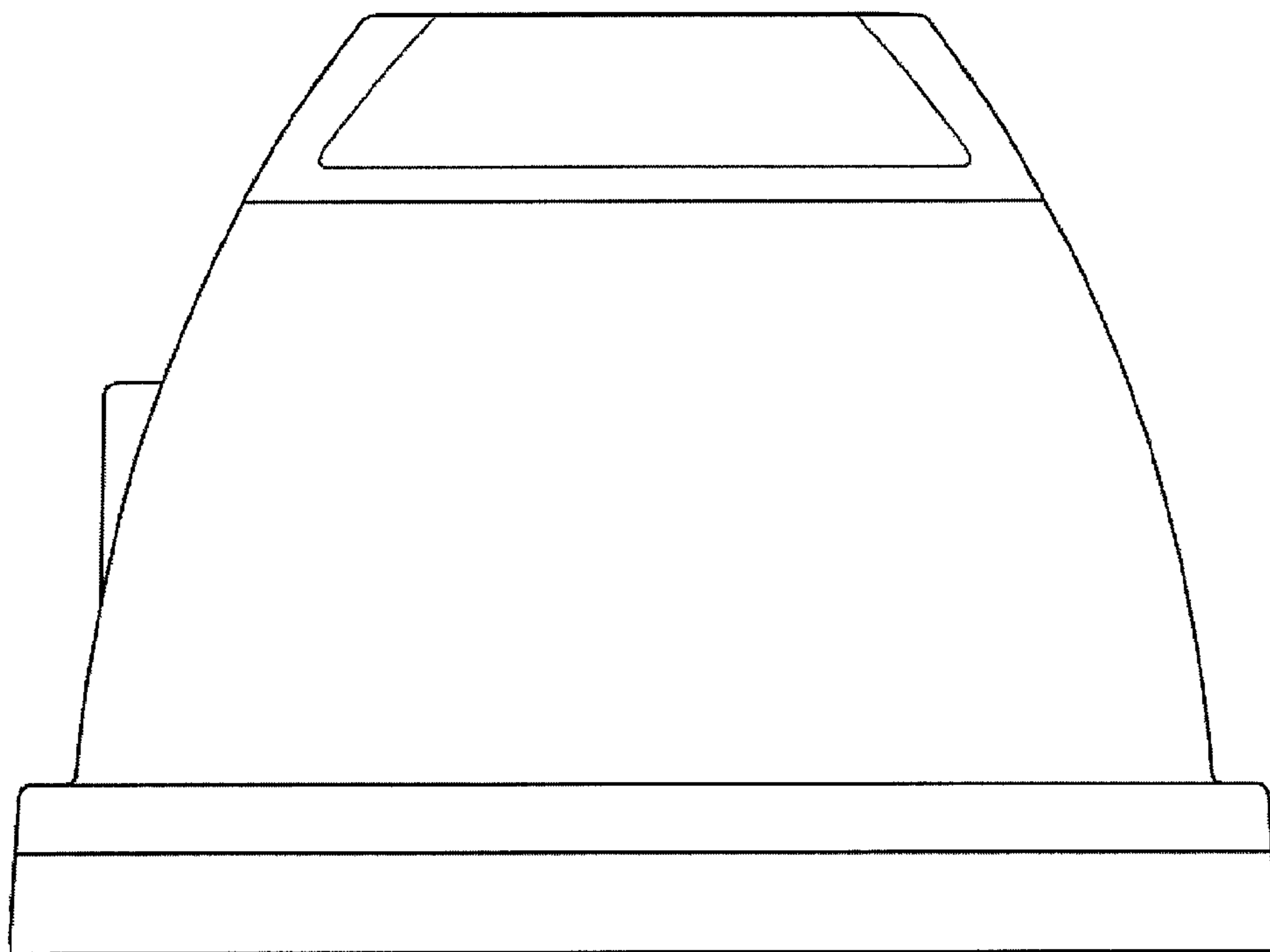


FIG. 3

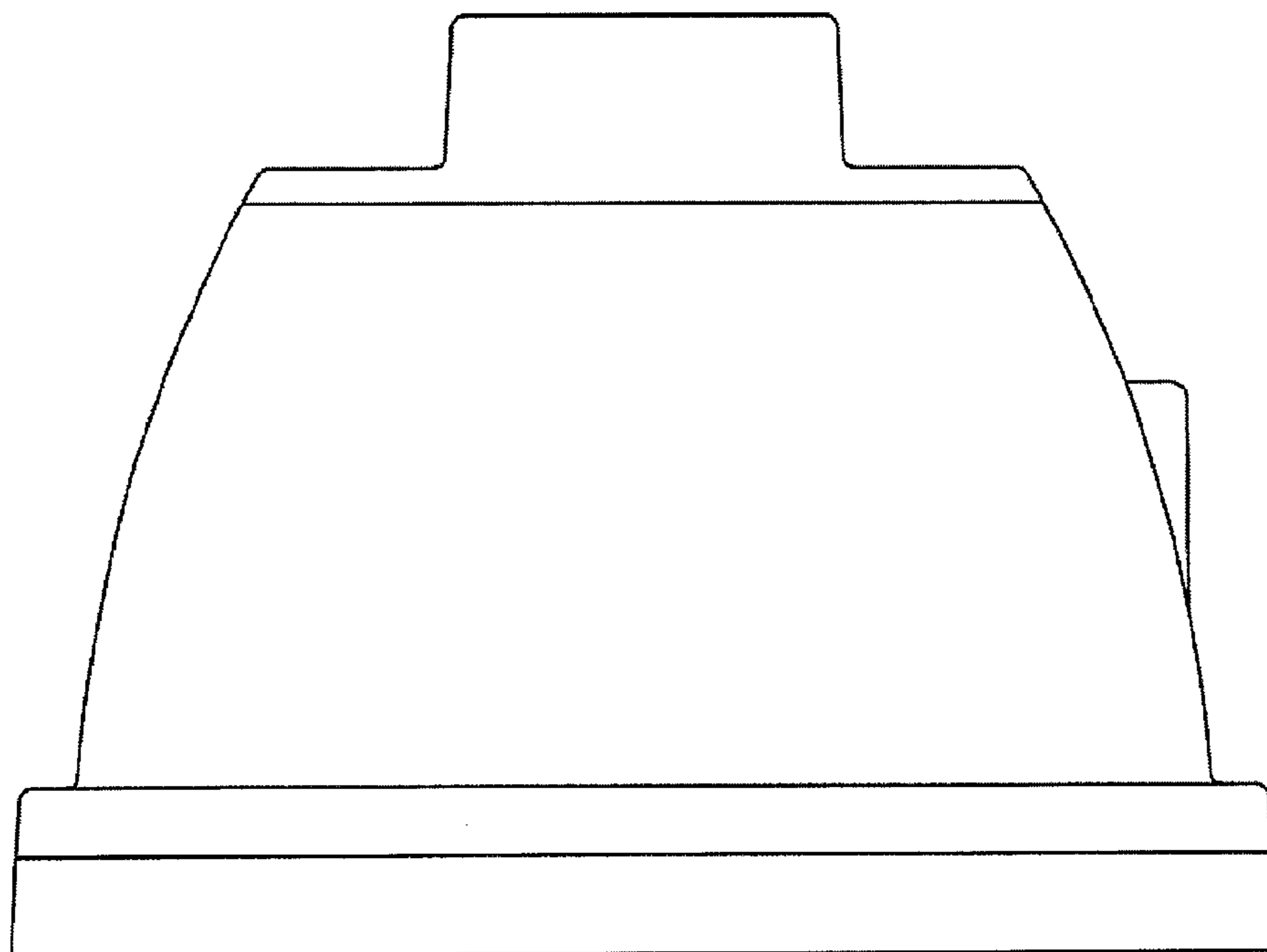


FIG. 4

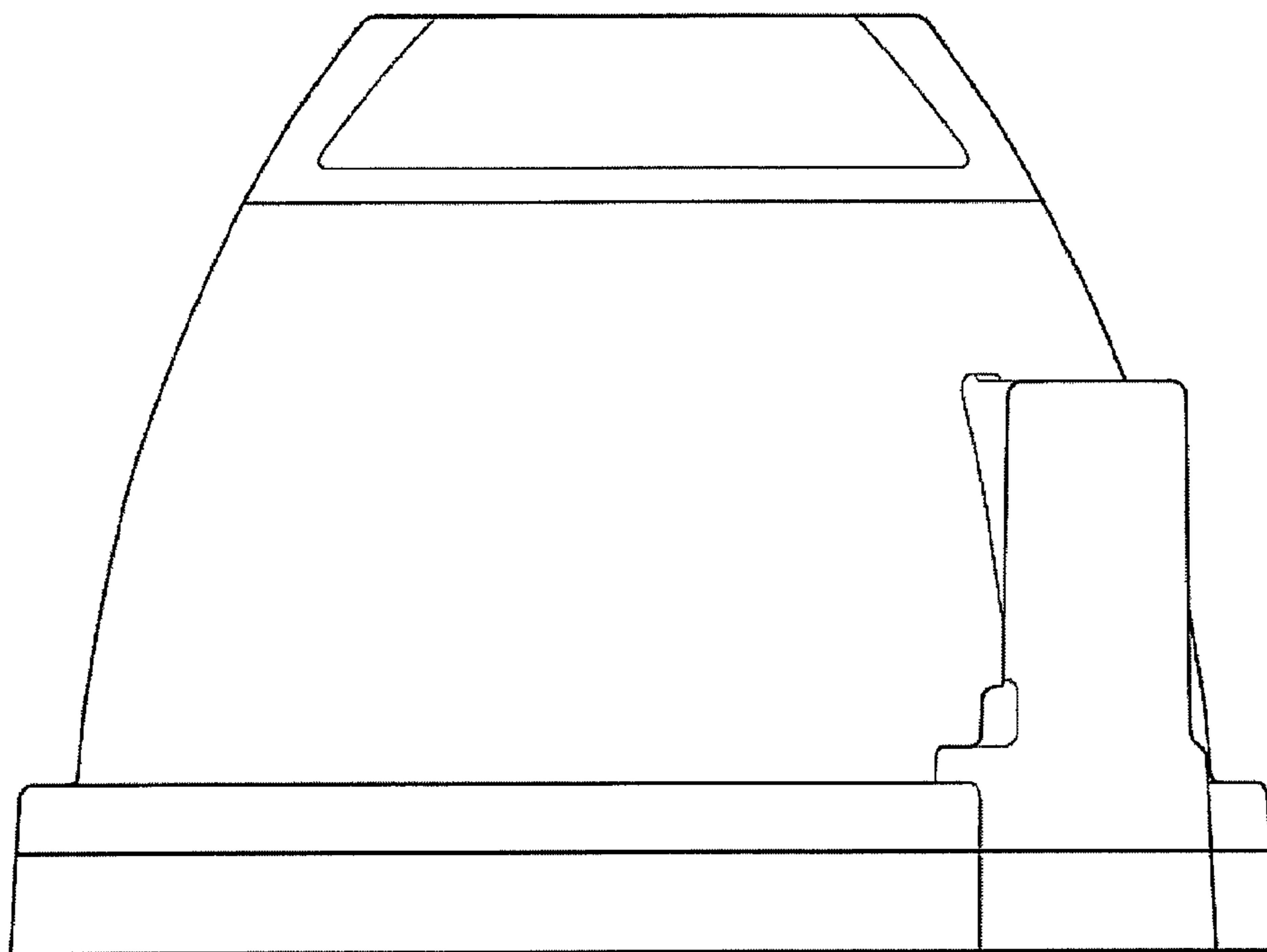


FIG. 5

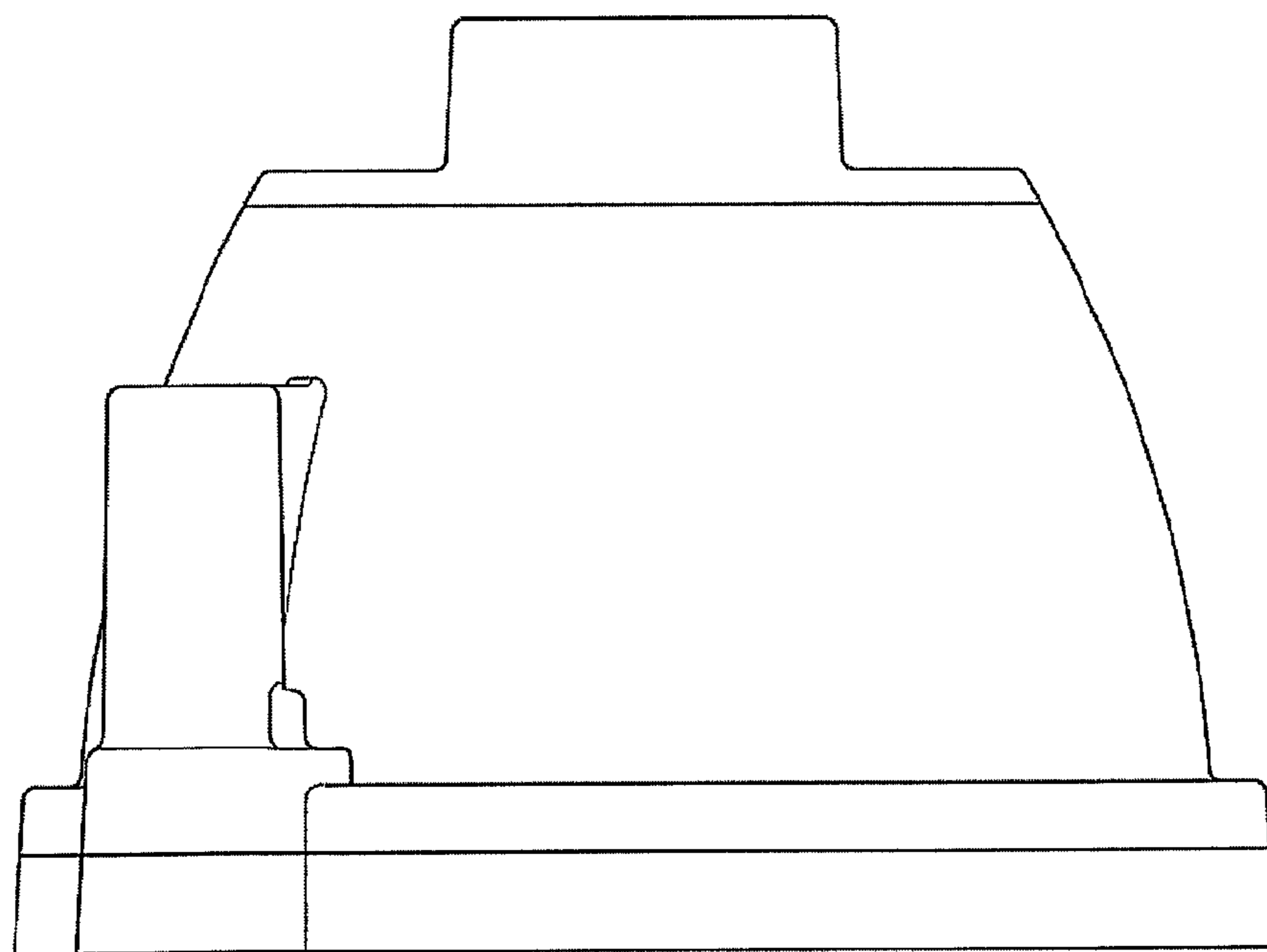


FIG. 6