



US00D637291S

(12) **United States Design Patent**
Wu et al.

(10) **Patent No.:** **US D637,291 S**

(45) **Date of Patent:** **** May 3, 2011**

(54) **PORTABLE ULTRASONIC IMAGING DEVICE**

(75) Inventors: **Jian Wu**, Shenzhen (CN); **Lijuan He**,
Shenzhen (CN)

(73) Assignee: **Shenzhen Mindray Bio-Medical**
Electronics Co., Ltd., Shenzhen (CN)

(**) Term: **14 Years**

(21) Appl. No.: **29/377,184**

(22) Filed: **Oct. 18, 2010**

(30) **Foreign Application Priority Data**

May 7, 2010 (CN) 2010 3 0168654

(51) **LOC (9) Cl.** **24-01**

(52) **U.S. Cl.** **D24/158**

(58) **Field of Classification Search** D24/158-161,
D24/186; 378/4, 15, 17, 20, 21, 23-27, 146,
378/437, 440, 443; 128/915, 916

See application file for complete search history.

(56) **References Cited**

U.S. PATENT DOCUMENTS

D368,521	S *	4/1996	Asai et al.	D24/160
D454,954	S *	3/2002	Cannon et al.	D24/160
D509,900	S *	9/2005	Barnes et al.	D24/160
D538,432	S *	3/2007	Diener et al.	D24/160
D550,366	S *	9/2007	Zhou	D24/186
7,336,765	B1 *	2/2008	Amiton et al.	378/162
2008/0208061	A1 *	8/2008	Halmann	600/459
2008/0249406	A1 *	10/2008	Naruse	600/437

* cited by examiner

Primary Examiner — T. Chase Nelson

Assistant Examiner — Anhdao Doan

(74) *Attorney, Agent, or Firm* — Kory D. Christensen; Steel
Rives LLP

(57) **CLAIM**

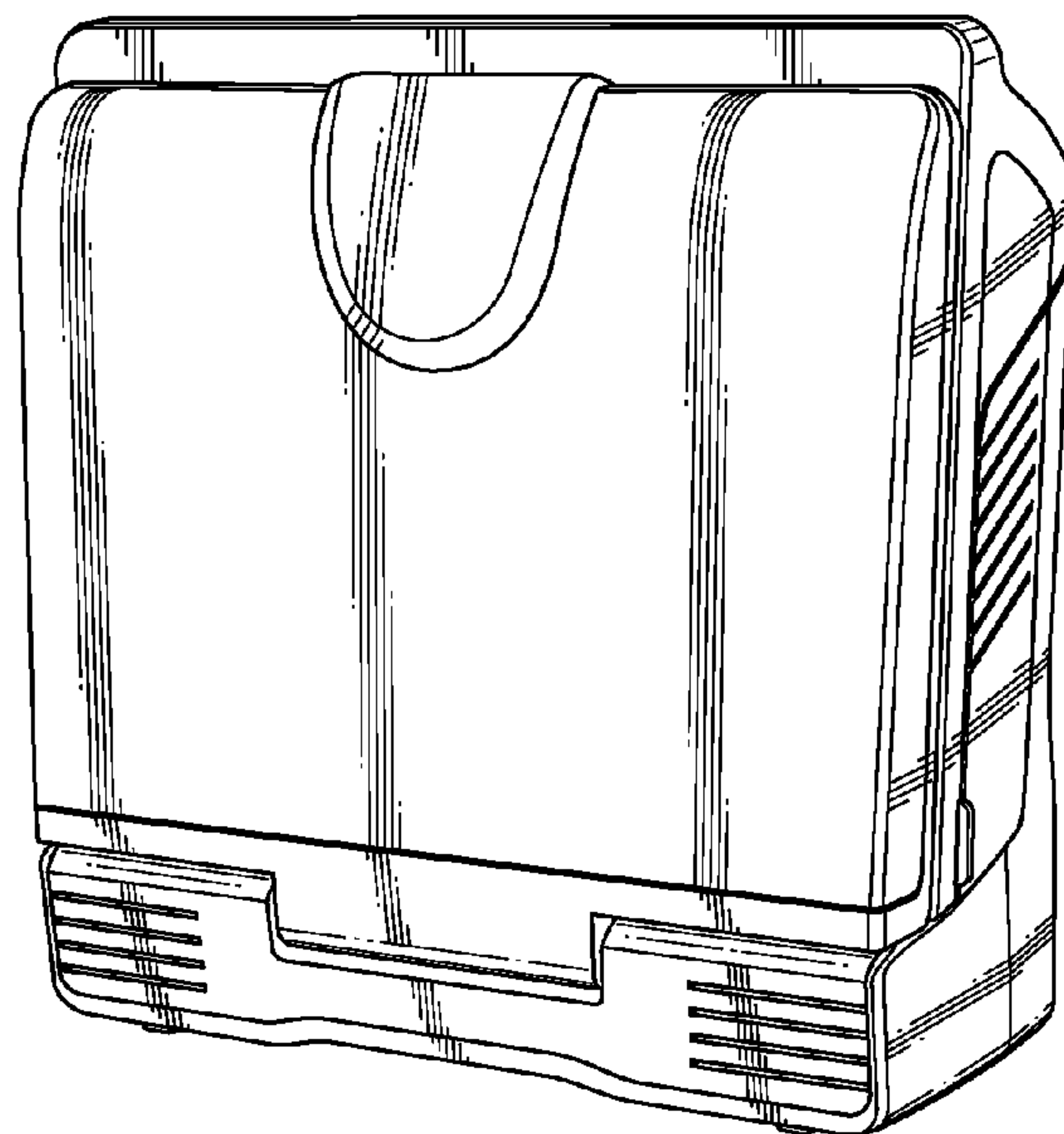
The ornamental design for a portable ultrasonic imaging
device, as shown and described.

DESCRIPTION

FIG. 1 is a front perspective view of a portable ultrasonic
imaging device, showing our new design;
FIG. 2 is a rear perspective view thereof;
FIG. 3 is a bottom plan view thereof;
FIG. 4 is a front elevation view thereof;
FIG. 5 is a top plan view thereof;
FIG. 6 is a right side elevation view thereof;
FIG. 7 is a left side elevation view thereof;
FIG. 8 is a rear elevation view thereof;
FIG. 9 is a front perspective view of the portable ultrasonic
imaging device of FIGS. 1-8 in the open configuration and the
side panel portion shown in the extended position; and,
FIG. 10 is another front perspective view of the portable
ultrasonic imaging device of FIGS. 1-8 in the open configura-
tion and the display screen portion shown in the vertical
position.

The broken lines in the drawing views are included for the
purpose of illustrating portions of the portable ultrasonic
imaging device that form no part of the claimed design.

1 Claim, 4 Drawing Sheets



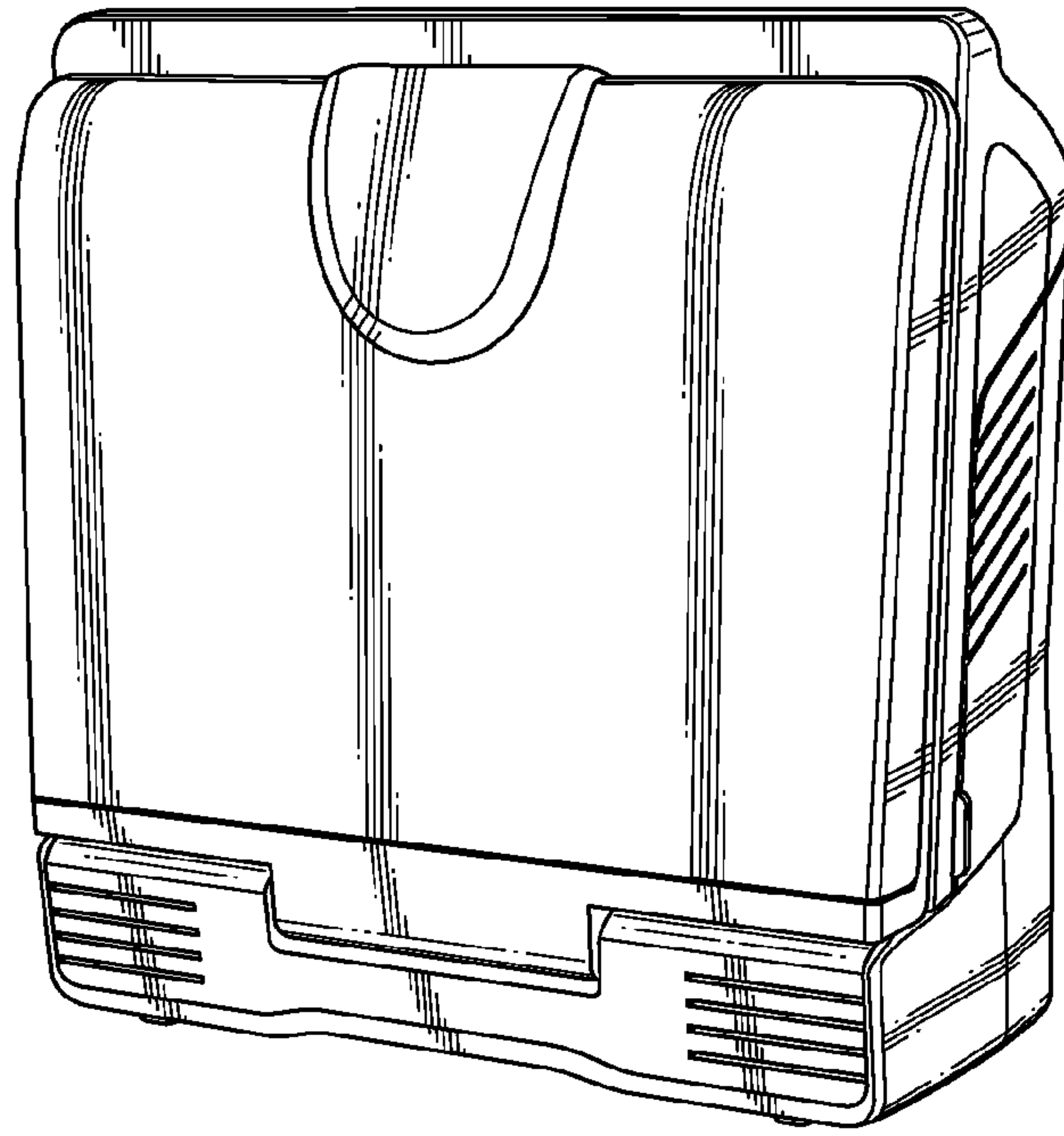


FIG. 1

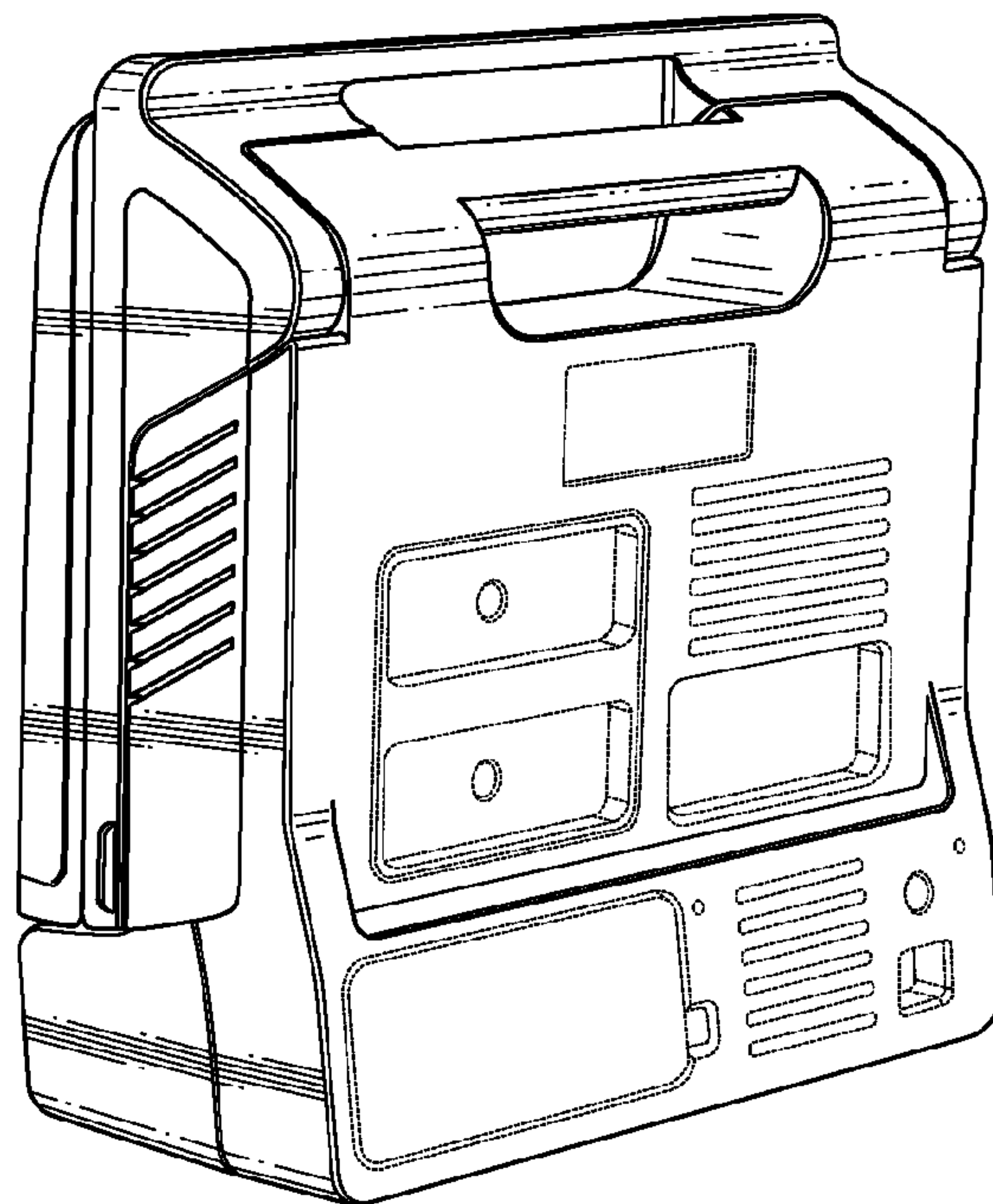


FIG. 2

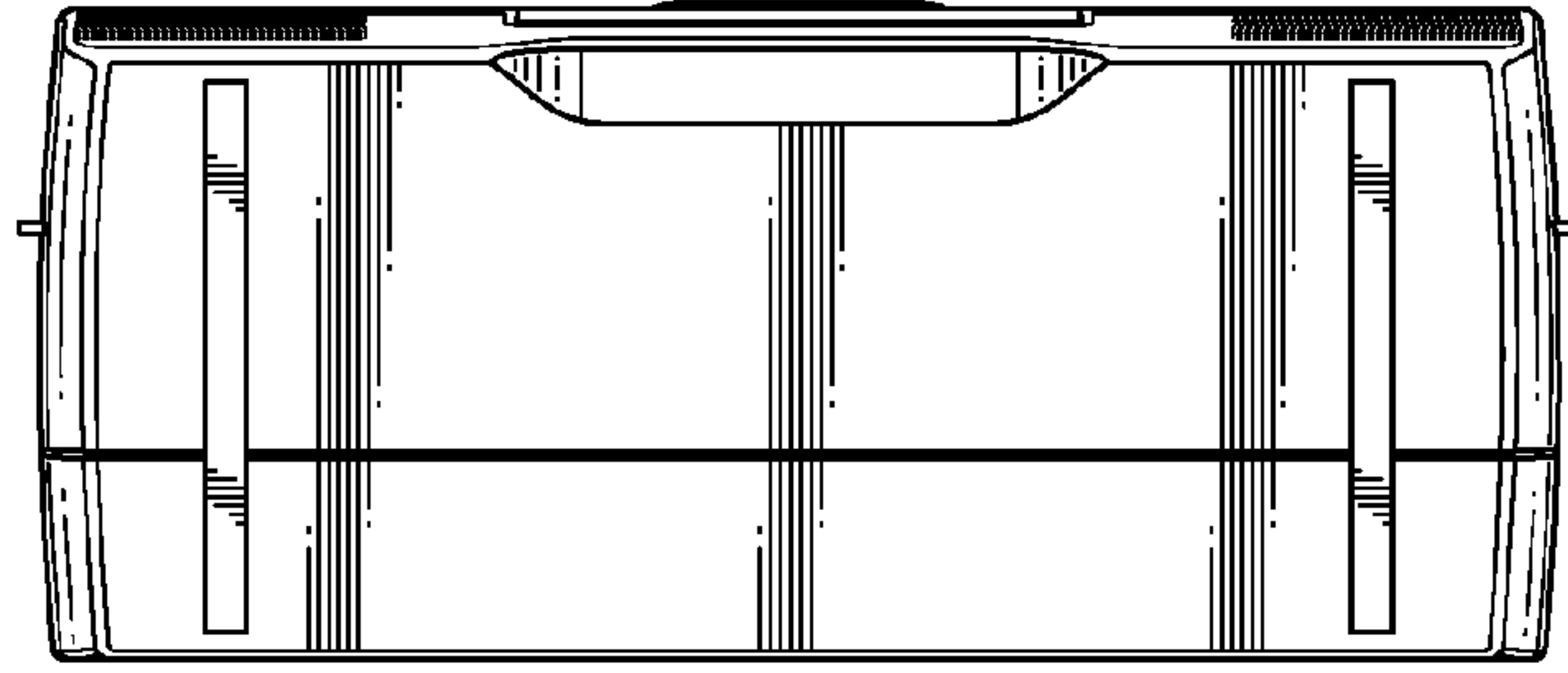


FIG. 3

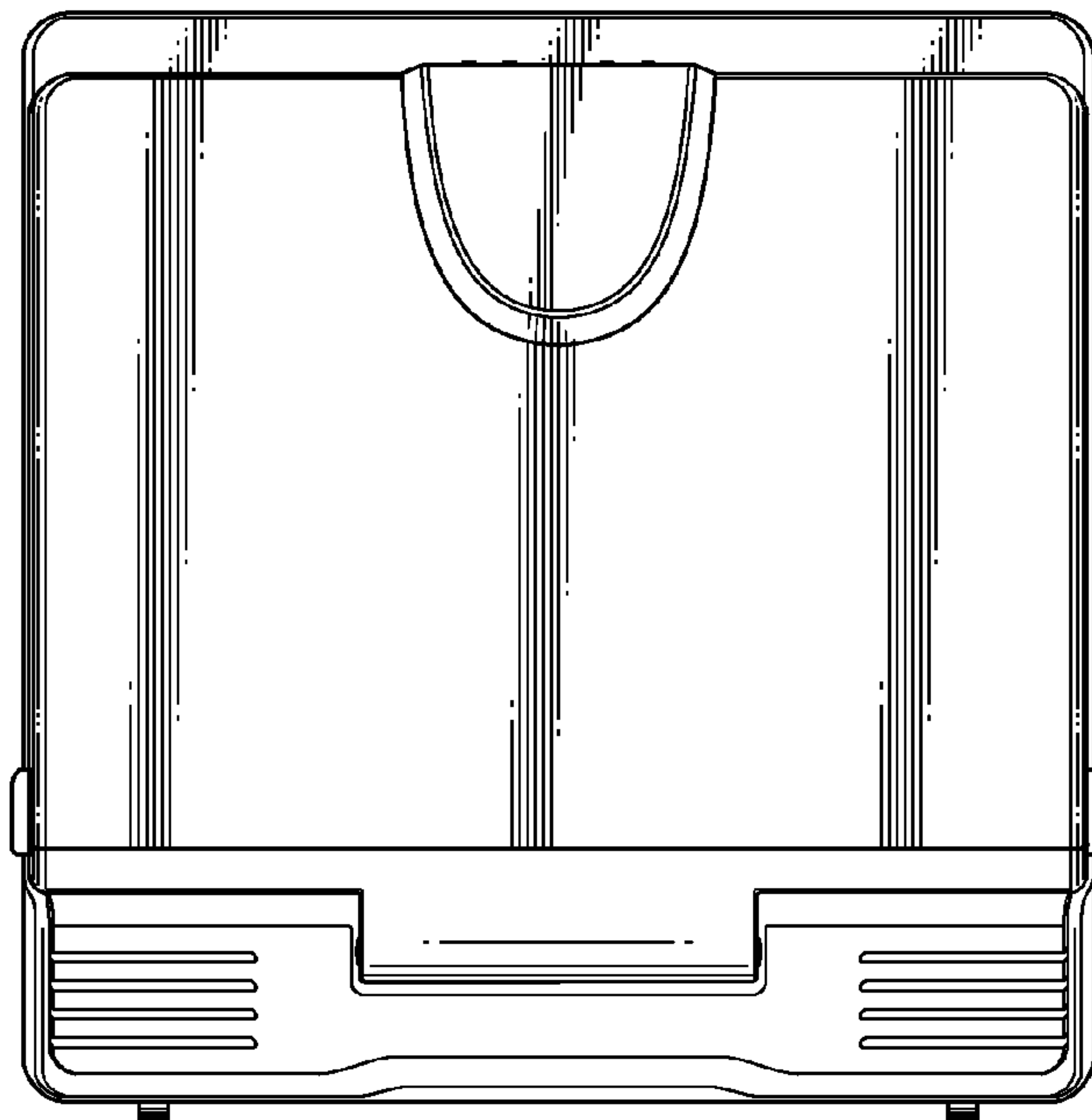


FIG. 4

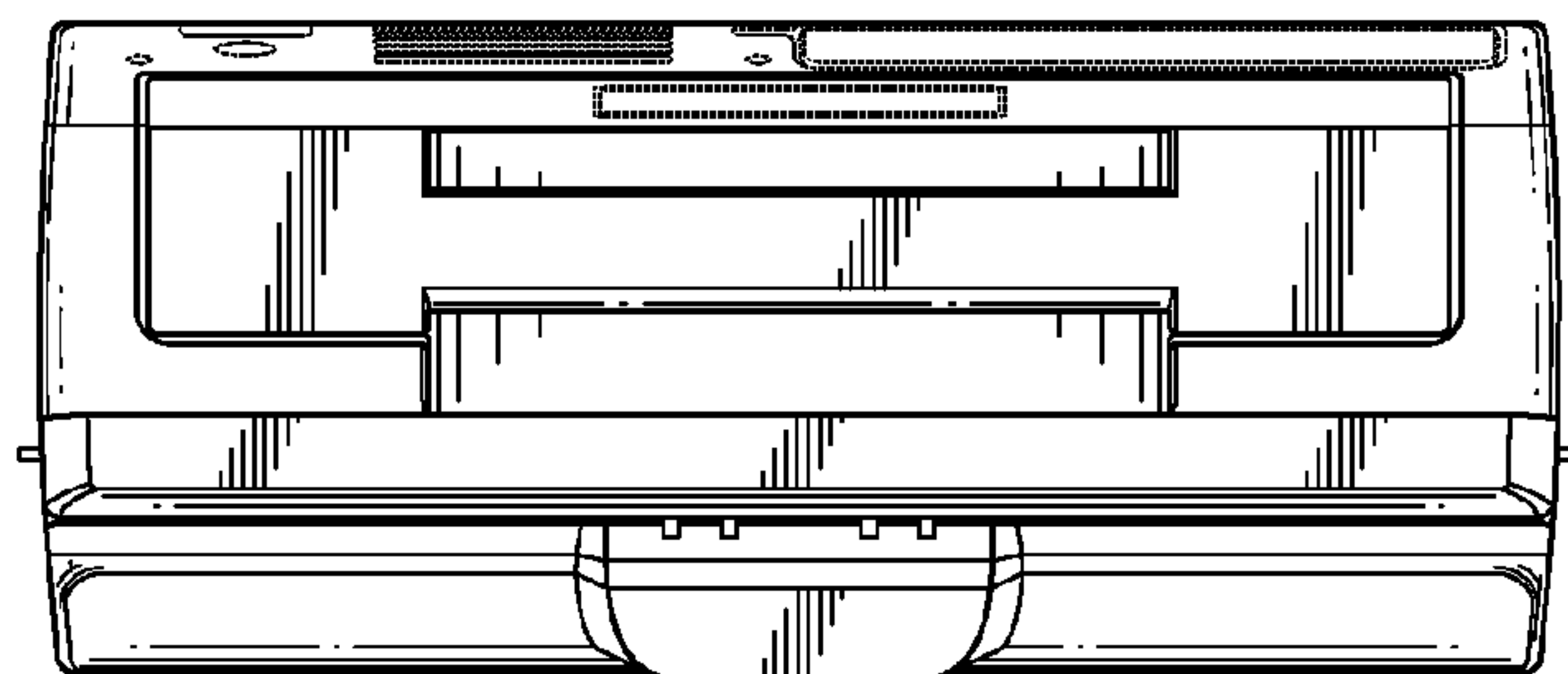


FIG. 5

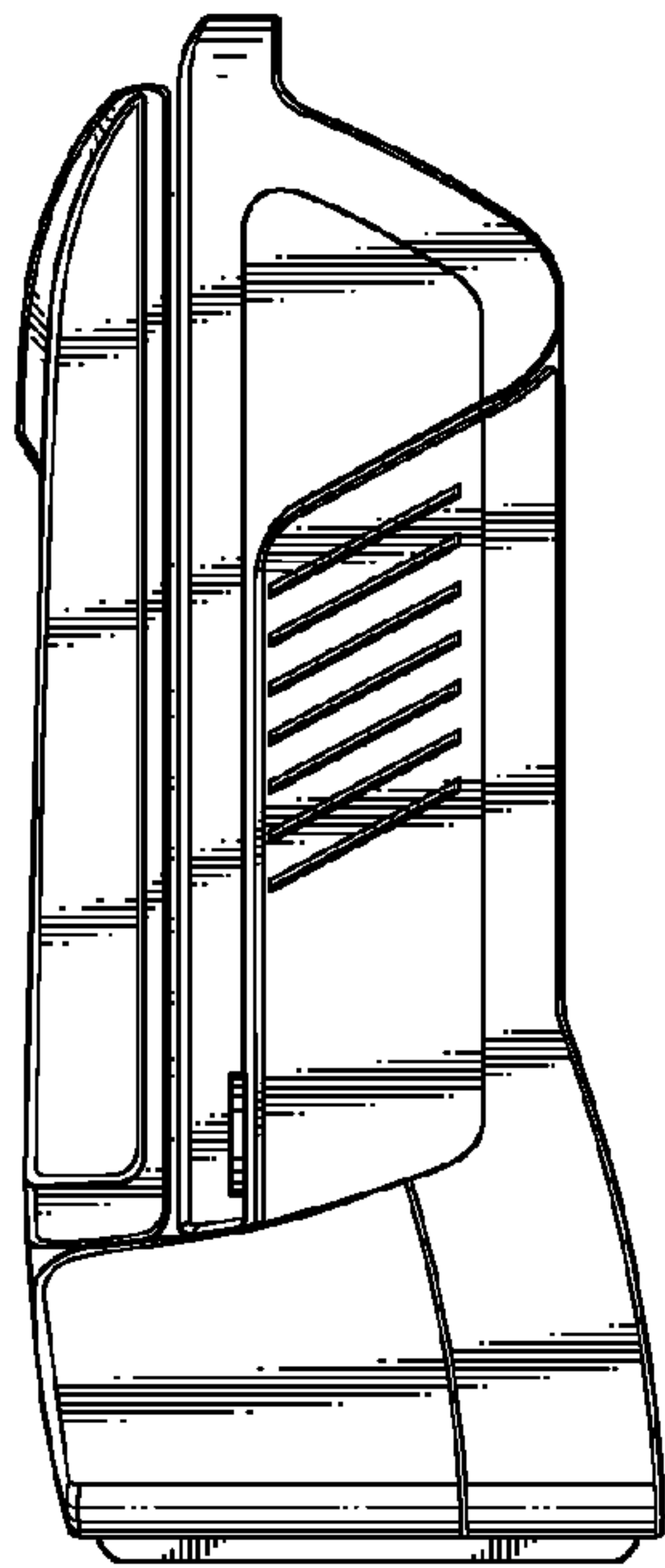


FIG. 6

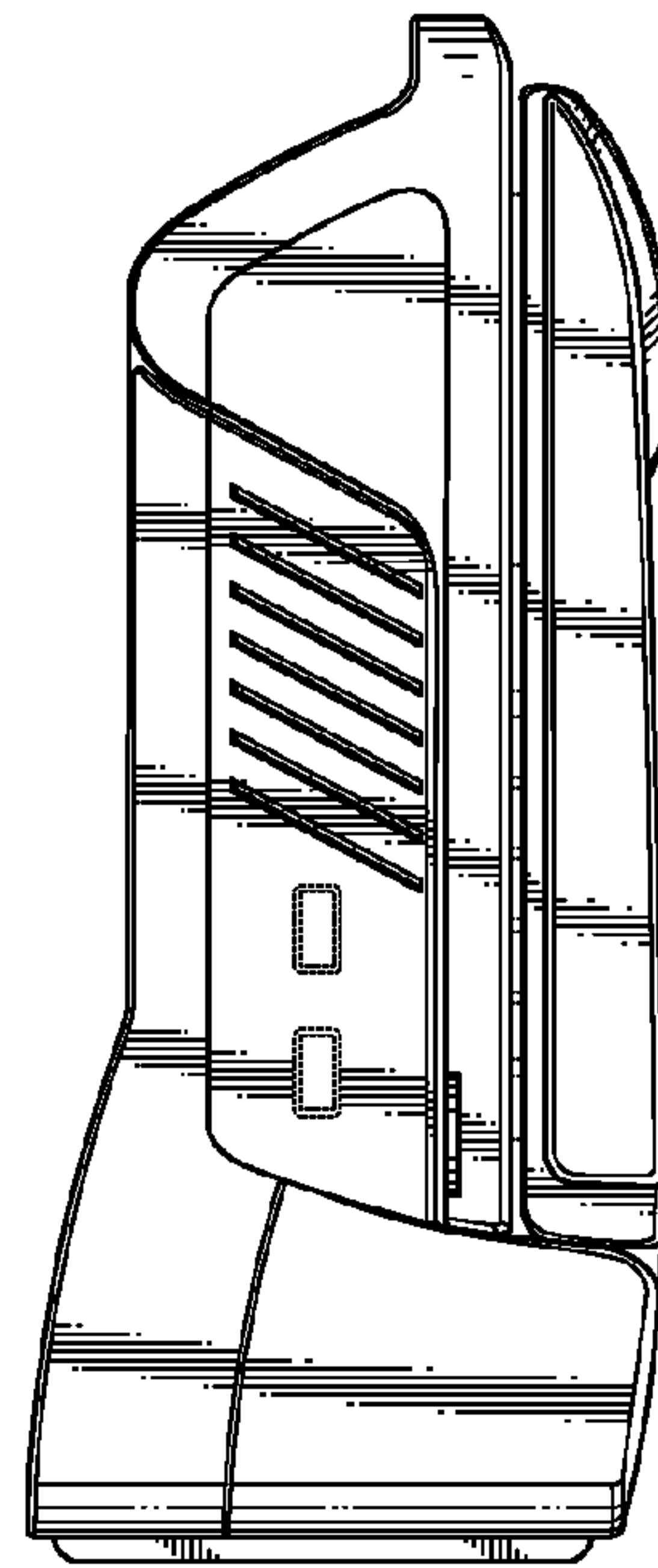


FIG. 7

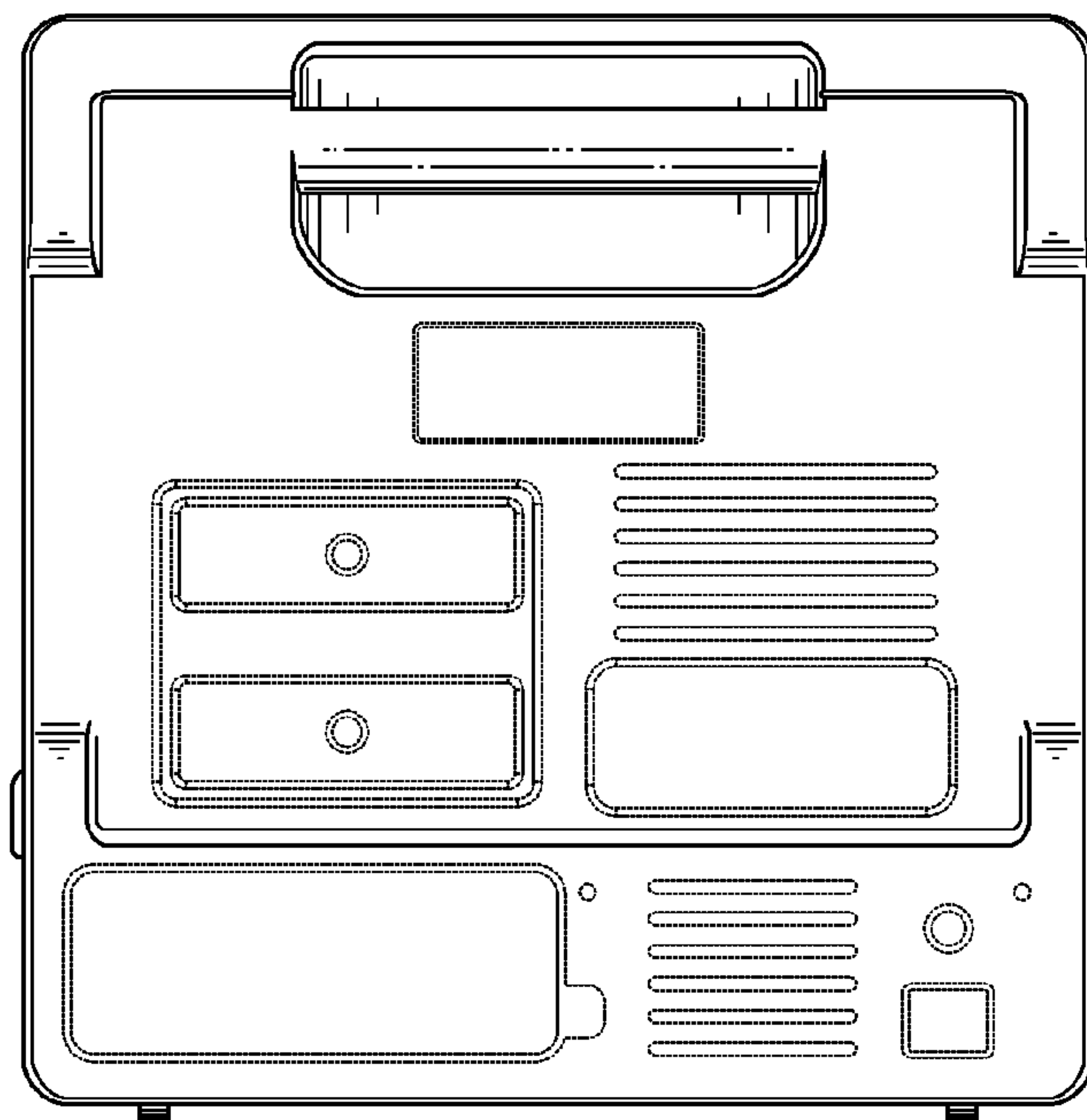


FIG. 8

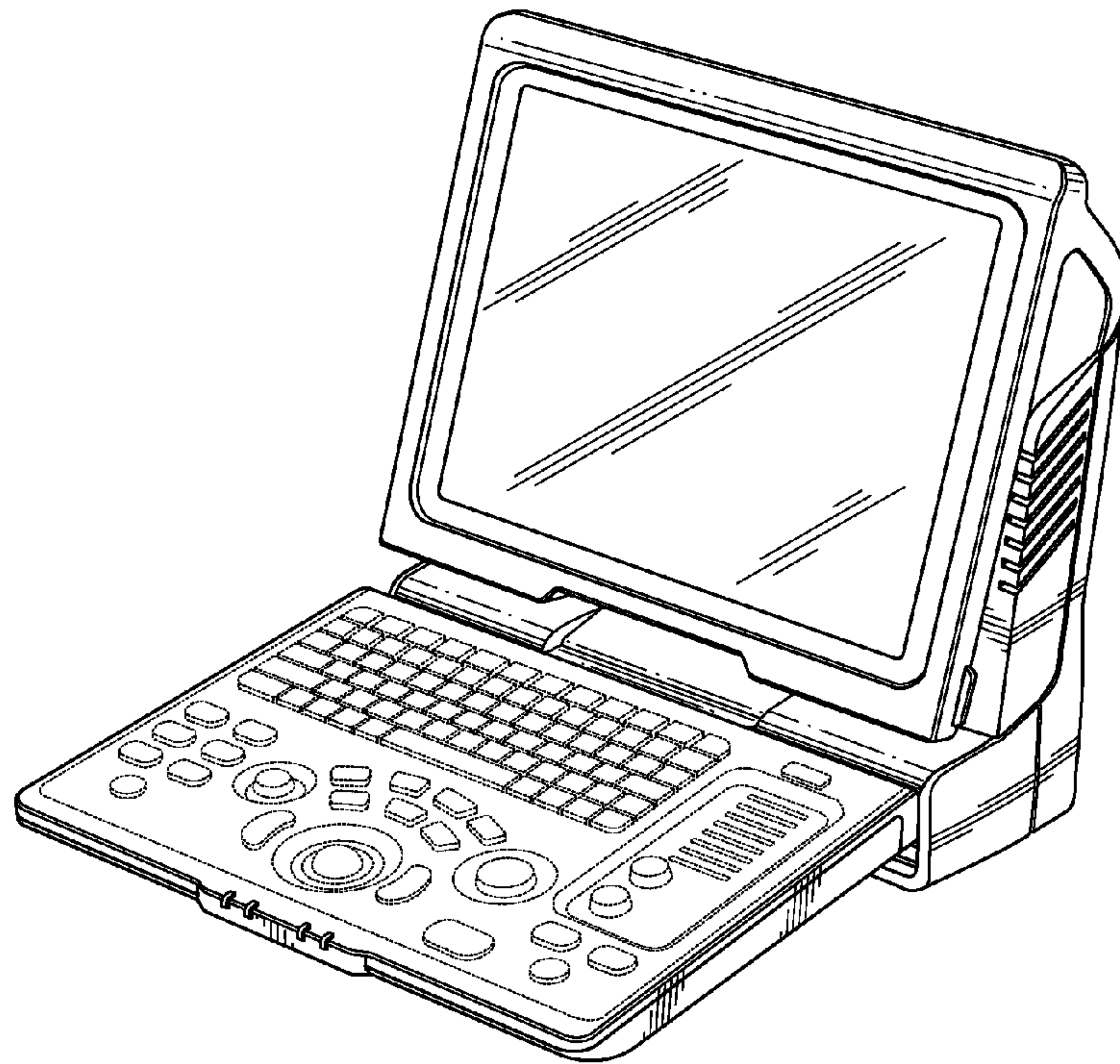


FIG. 9

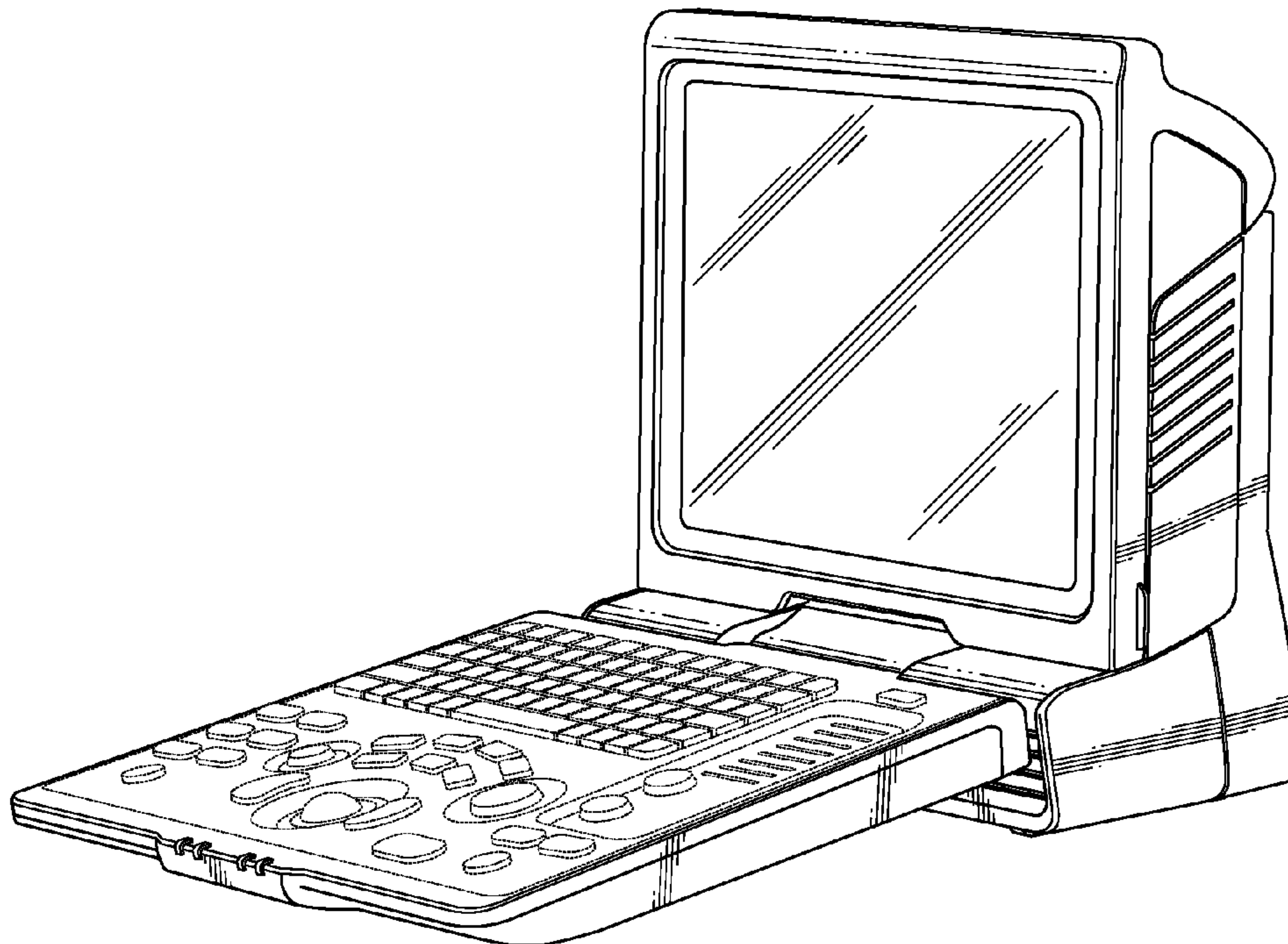


FIG. 10