



US00D637290S

(12) **United States Design Patent**  
**Schwoy**

(10) **Patent No.:** **US D637,290 S**

(45) **Date of Patent:** **\*\* May 3, 2011**

(54) **OPTICAL DISSECTOR**

(75) Inventor: **Tobias Schwoy**, Tuttlingen (DE)

(73) Assignee: **Karl Storz GmbH & Co. KG** (DE)

(\*\*) Term: **14 Years**

(21) Appl. No.: **29/364,323**

(22) Filed: **Jun. 22, 2010**

(30) **Foreign Application Priority Data**

Dec. 22, 2009 (EM) ..... 001651142-0010

(51) **LOC (9) Cl.** ..... **26-02**

(52) **U.S. Cl.** ..... **D24/146**

(58) **Field of Classification Search** ..... D24/133,  
D24/137, 138, 141, 144, 146-148, 111; 606/180,  
606/167; 604/22

See application file for complete search history.

(56) **References Cited**

**U.S. PATENT DOCUMENTS**

D286,566 S *	11/1986	Vukovic .....	D24/138
D570,480 S *	6/2008	Rehbein et al. ....	D24/133
D596,291 S *	7/2009	Berberich et al. ....	D24/133
D598,547 S *	8/2009	Stefan .....	D24/143
D603,046 S *	10/2009	Frey .....	D24/146
D606,194 S *	12/2009	Frey et al. ....	D24/147
D614,302 S *	4/2010	Eisele .....	D24/146

D615,200 S *	5/2010	Hahn et al. ....	D24/138
D620,108 S *	7/2010	Eitenmueller et al. ....	D24/144
D627,463 S *	11/2010	Voic et al. ....	D24/144
D629,099 S *	12/2010	Kilani .....	D24/133

\* cited by examiner

*Primary Examiner* — Charles A Rademaker

*Assistant Examiner* — Carissa C Fitts

(74) *Attorney, Agent, or Firm* — St. Onge Steward Johnston & Reens LLC

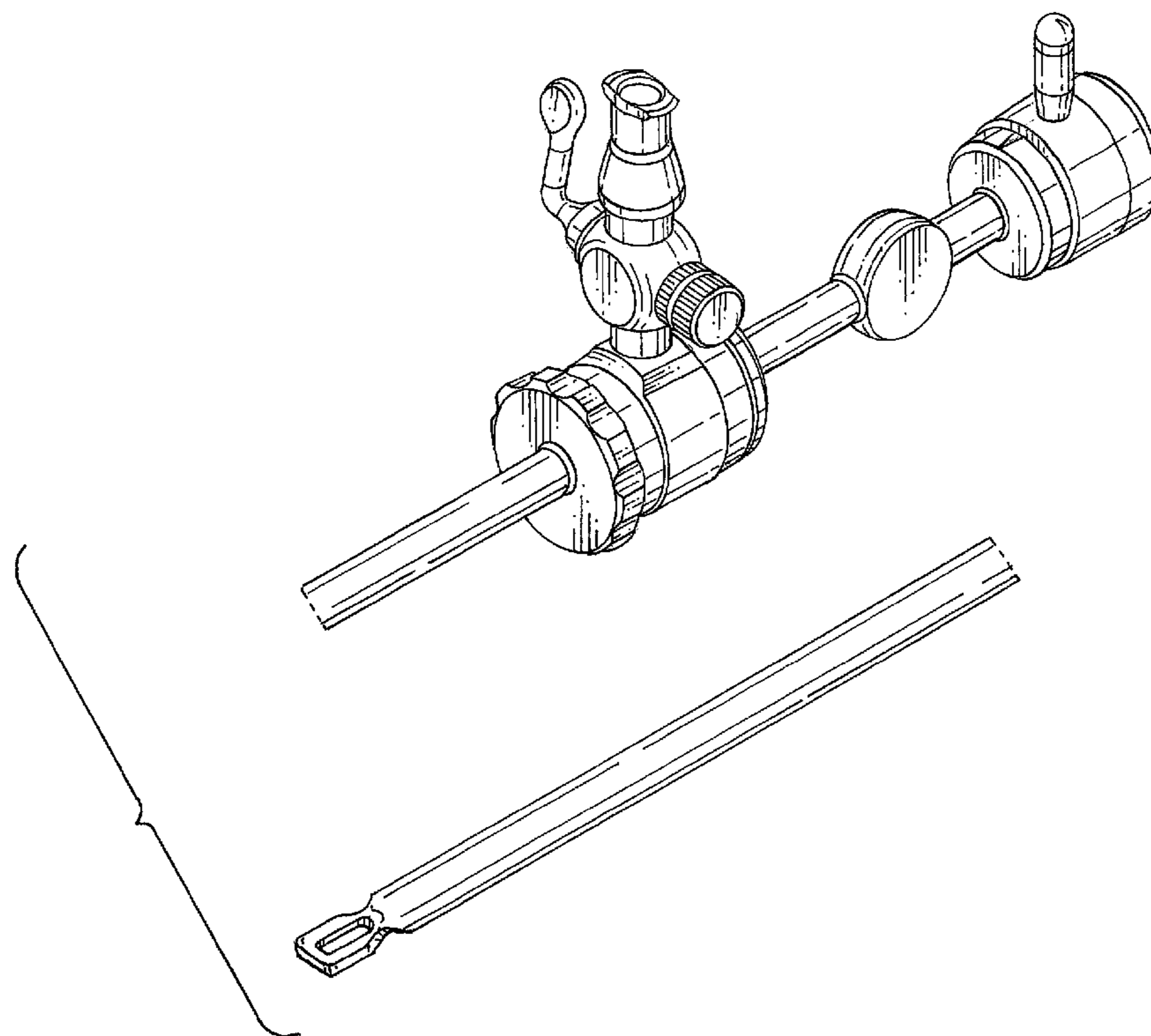
(57) **CLAIM**

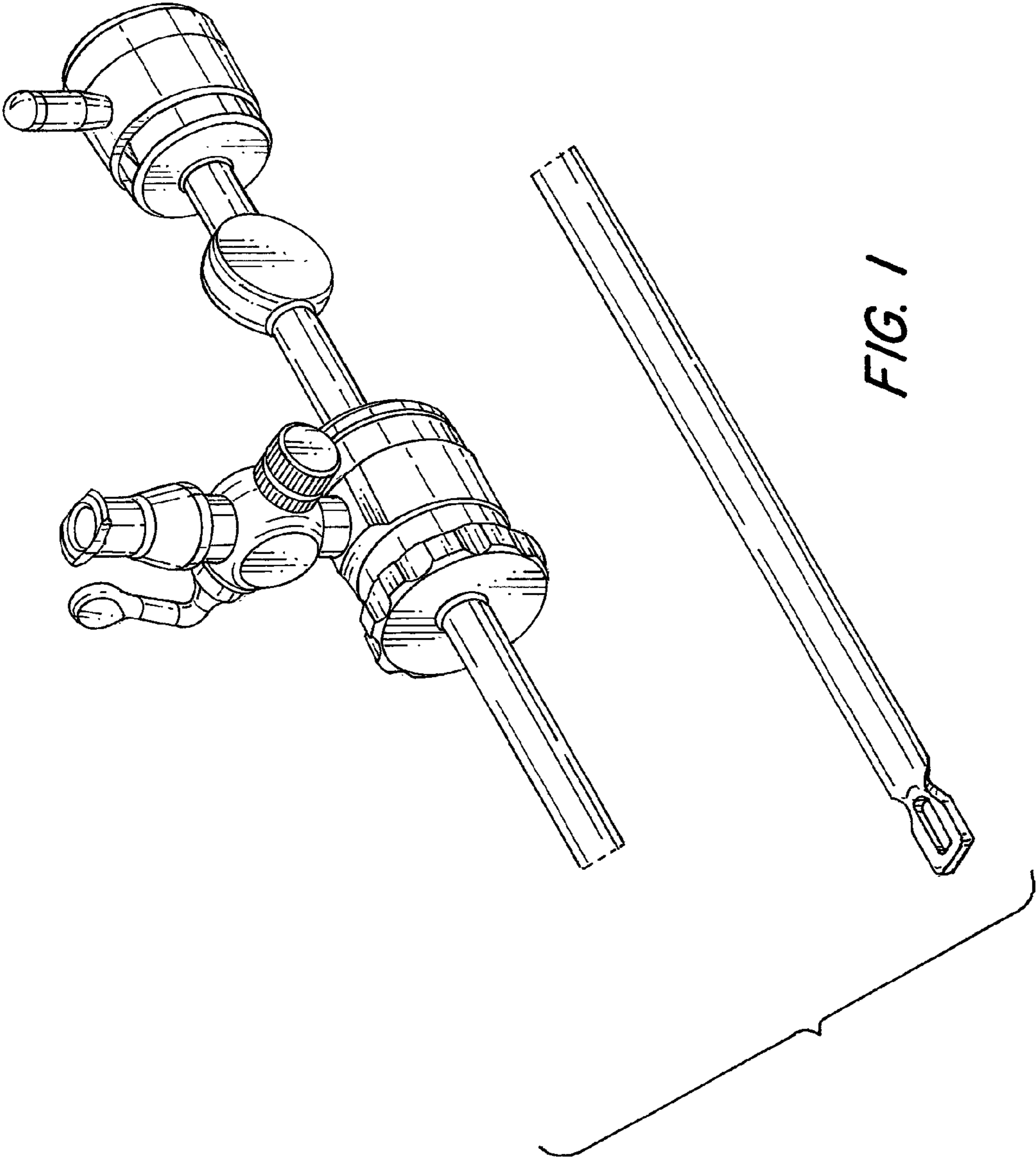
The ornamental design for an optical dissector, as shown and described.

**DESCRIPTION**

FIG. 1 is a left side perspective view of an optical dissector in accordance with the new design;  
 FIG. 2 is a left side elevation view thereof;  
 FIG. 3 is a right side elevation view thereof;  
 FIG. 4 is a top plan view thereof;  
 FIG. 5 is a bottom plan view thereof;  
 FIG. 6 is a front elevation view thereof; and,  
 FIG. 7 is a rear elevation view thereof.  
 FIGS. 1-5 show a break indicating no particular length. The broken line showing in FIG. 7 is included for the purpose of illustrating portions of the optical dissector that form no part of the claimed design.

**1 Claim, 7 Drawing Sheets**





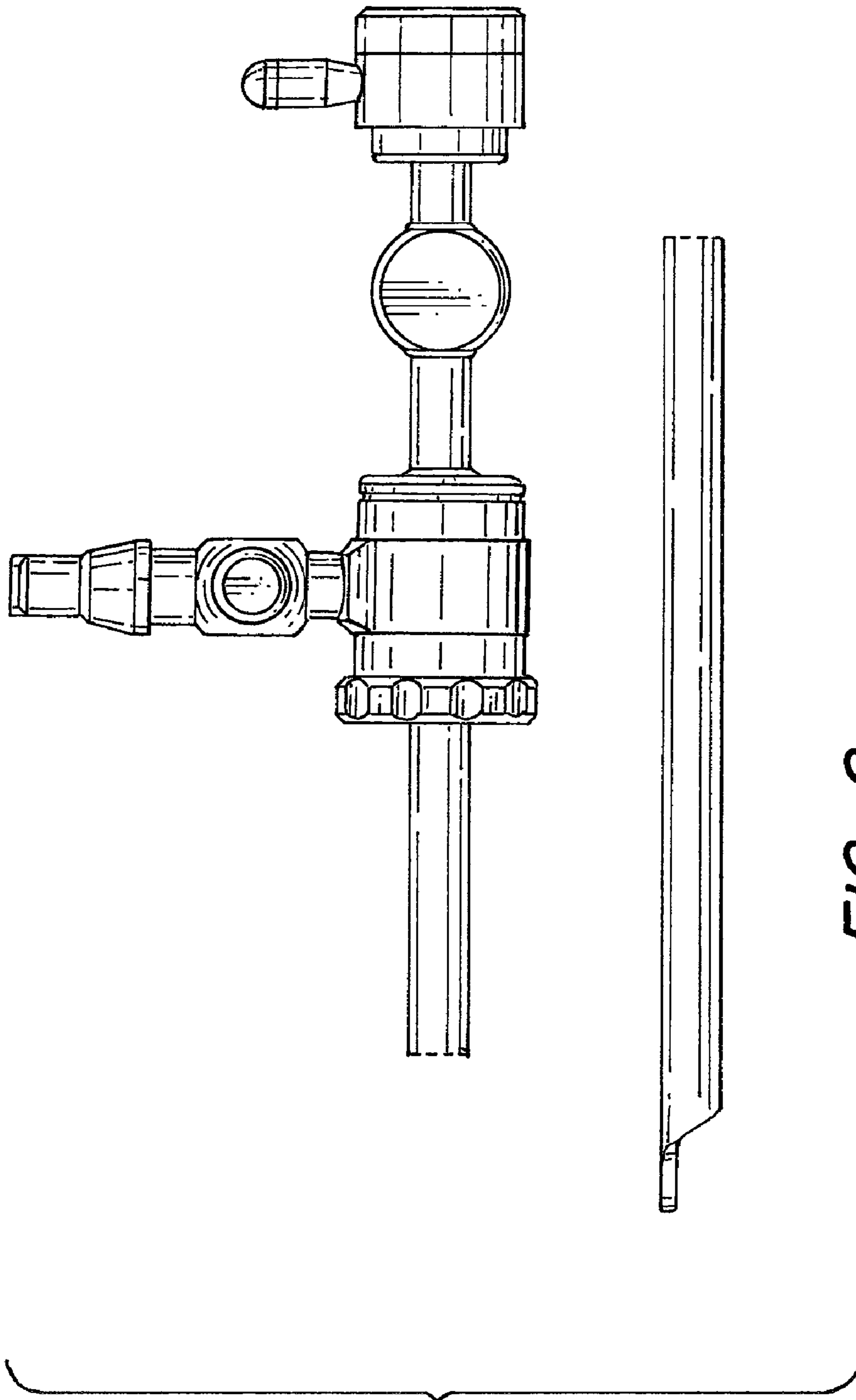
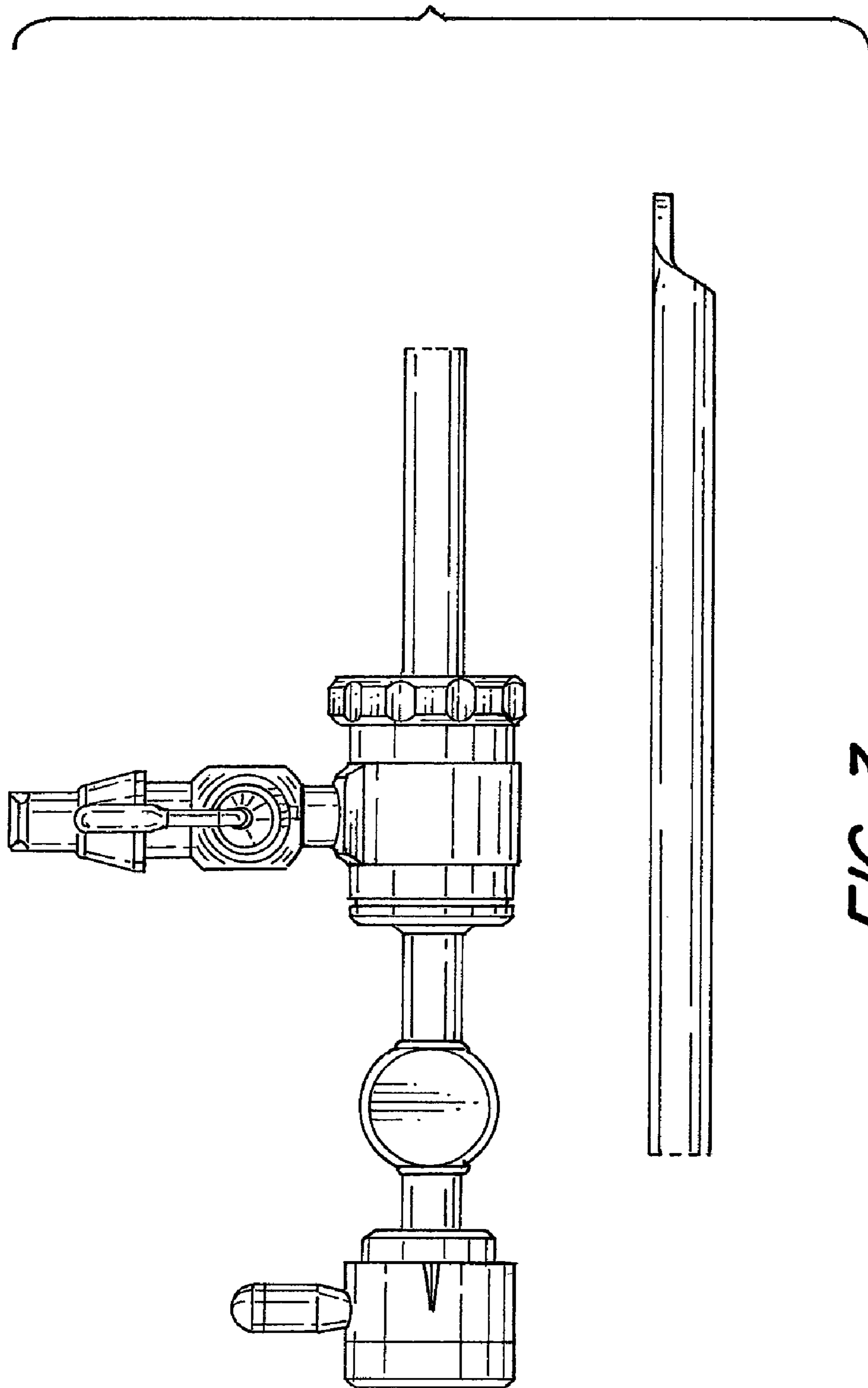
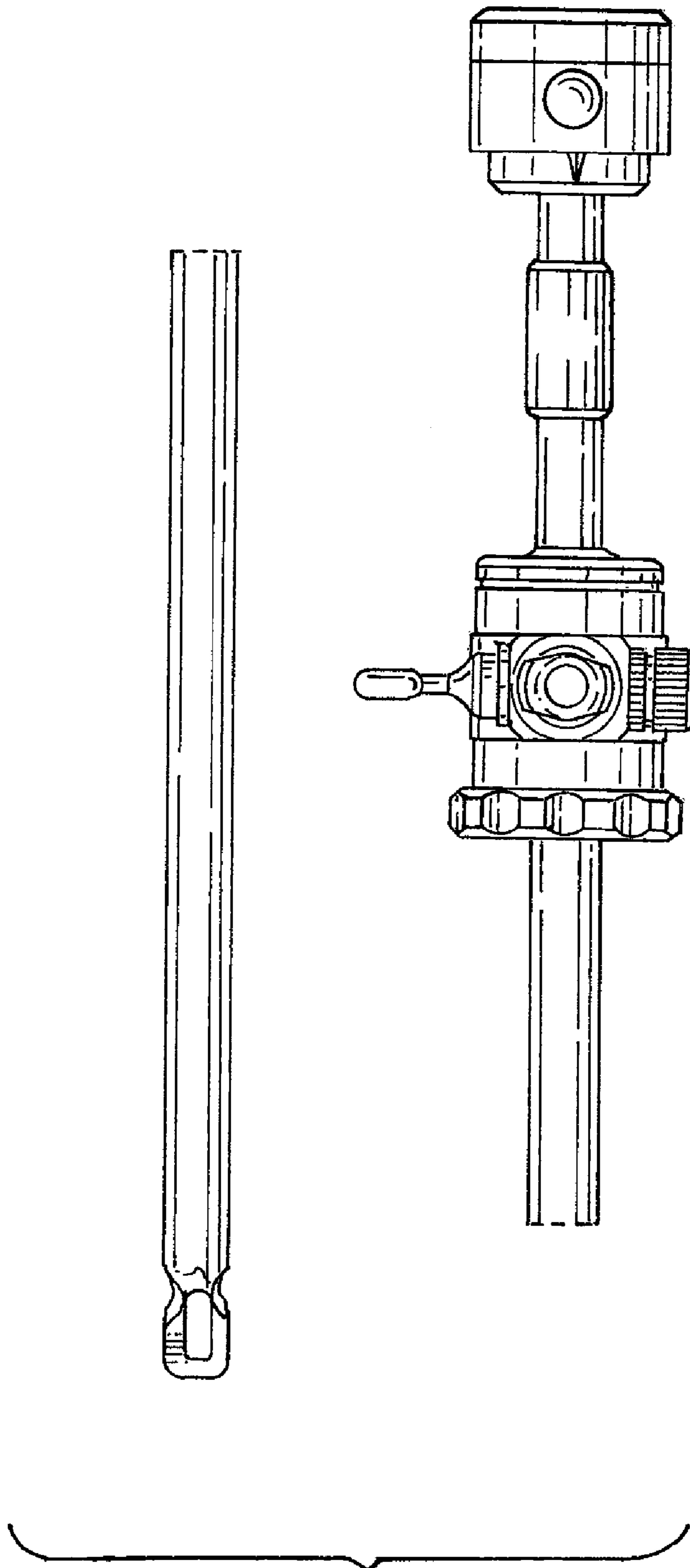


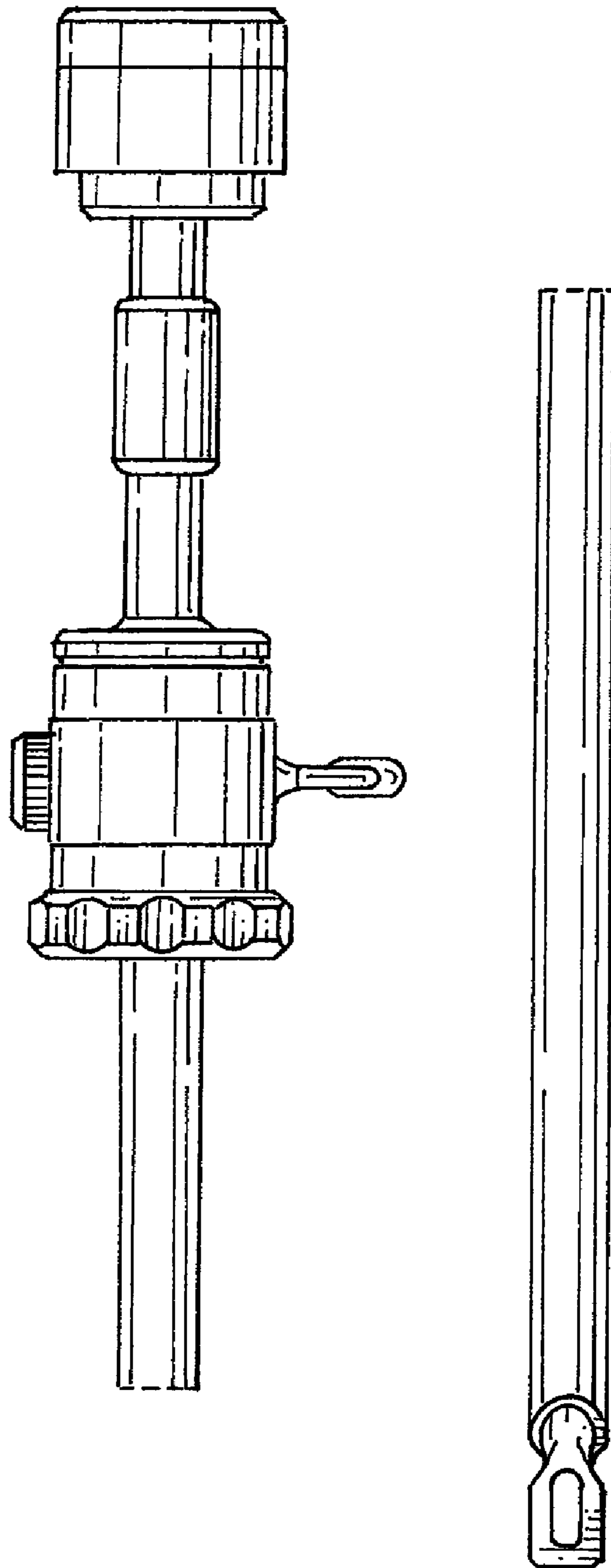
FIG. 2



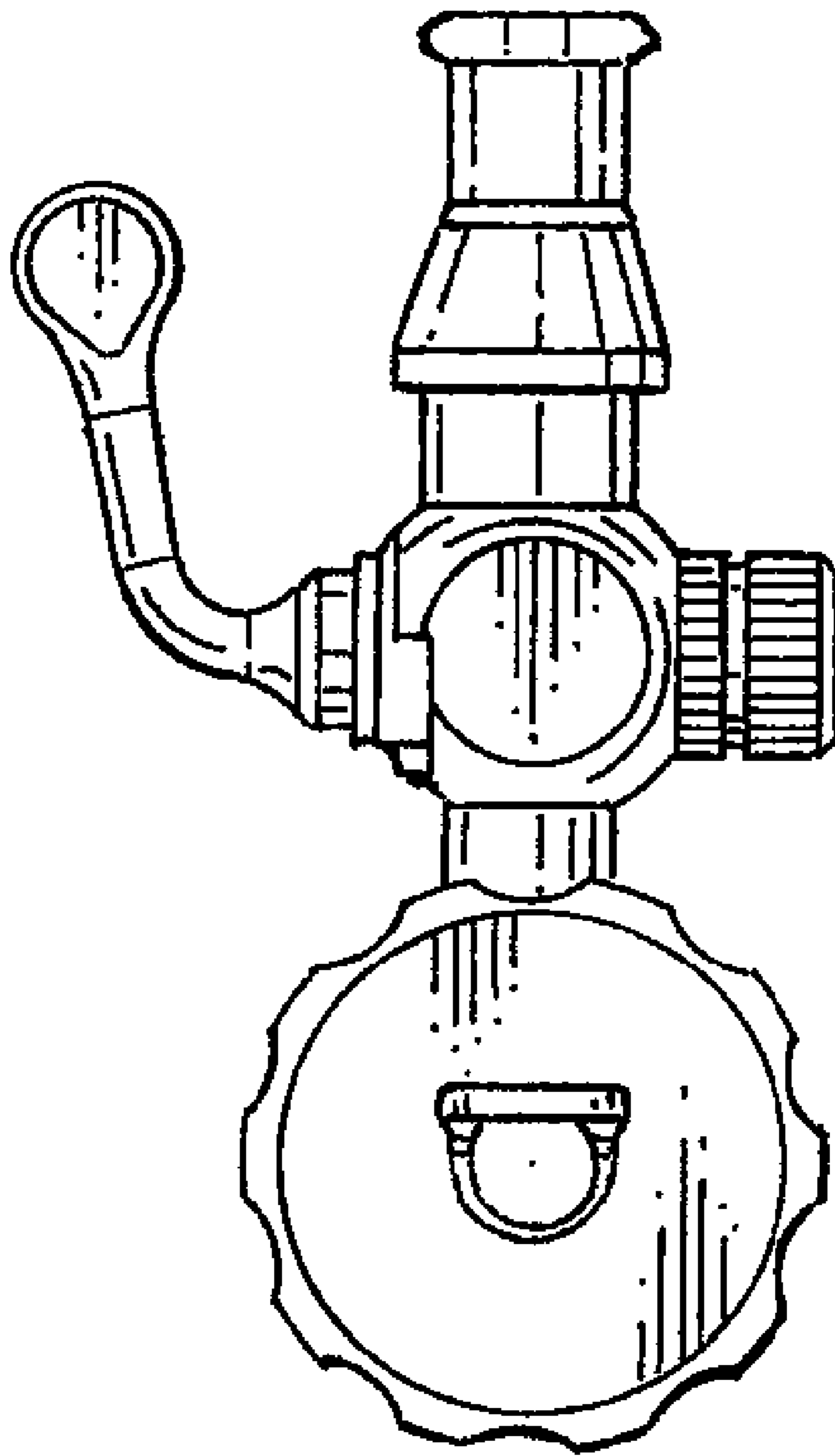
*FIG. 3*



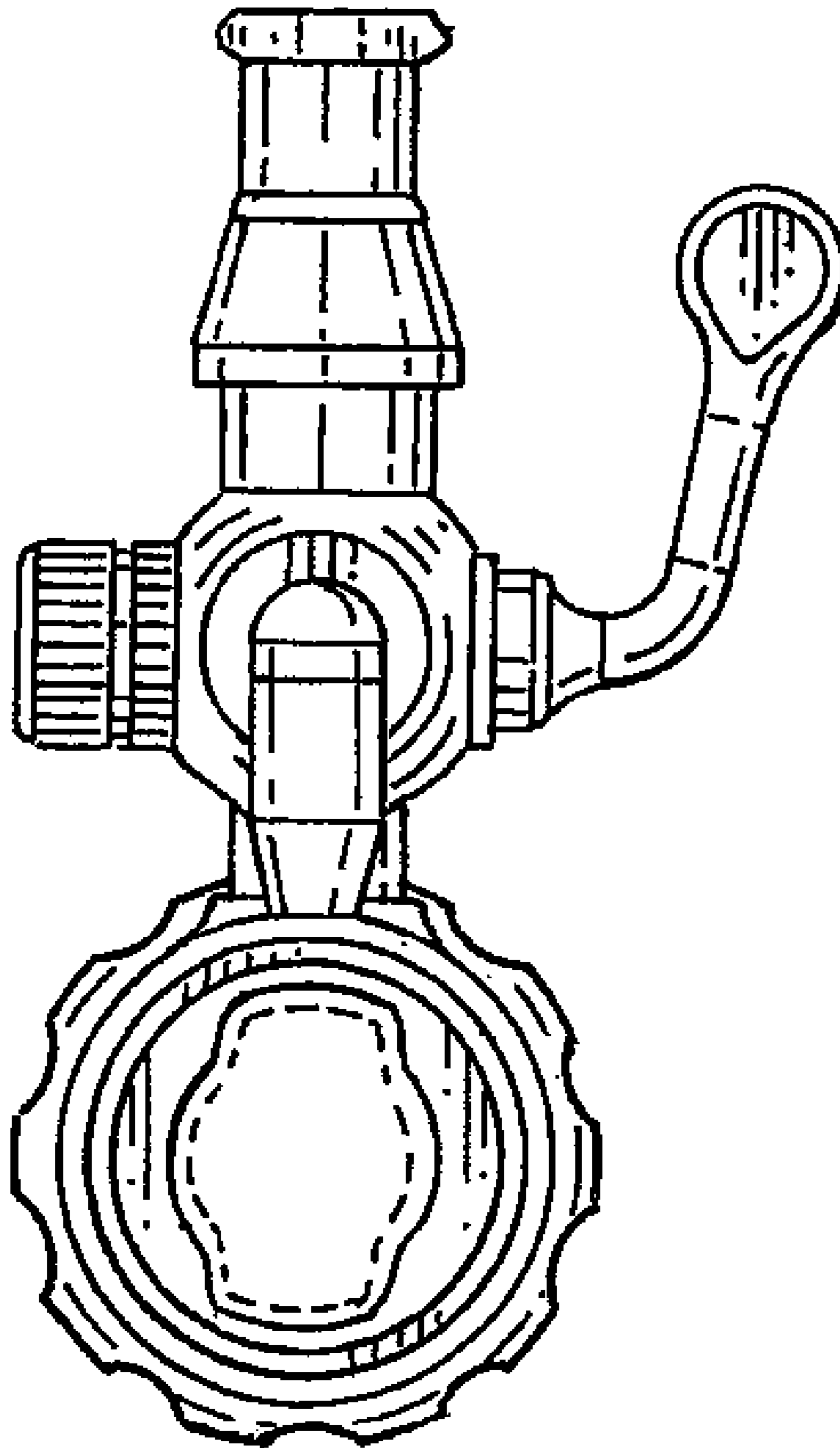
*FIG. 4*



*FIG. 5*



***FIG. 6***



**FIG. 7**