



US00D637289S

(12) **United States Design Patent**  
**Berberich**

(10) **Patent No.:** **US D637,289 S**

(45) **Date of Patent:** **\*\* May 3, 2011**

(54) **IRRIGATION ADAPTER FOR SHAVER**

(75) Inventor: **Sascha Berberich**, Tuttlingen (DE)

(73) Assignee: **Karl Storz GmbH & Co. KG** (DE)

(\*\*) Term: **14 Years**

(21) Appl. No.: **29/364,311**

(22) Filed: **Jun. 22, 2010**

(30) **Foreign Application Priority Data**

Dec. 22, 2009 (EM) ..... 001651142-0020

(51) **LOC (9) Cl.** ..... **24-02**

(52) **U.S. Cl.** ..... **D24/146; D28/54**

(58) **Field of Classification Search** ..... D24/133,  
D24/137, 138, 141, 144, 146-148; 606/49-52,  
606/101, 205-208; D28/50, 54  
See application file for complete search history.

(56) **References Cited**

**U.S. PATENT DOCUMENTS**

4,301,802	A *	11/1981	Poler	606/48
4,338,936	A *	7/1982	Nelson	604/295
4,517,977	A *	5/1985	Frost	606/170
D286,566	S *	11/1986	Vukovic	D24/138
4,643,717	A *	2/1987	Cook et al.	604/22
D347,061	S *	5/1994	Phillips	D24/133
5,405,348	A *	4/1995	Anspach et al.	606/80
D387,162	S *	12/1997	Zeimer et al.	D24/150
5,709,698	A *	1/1998	Adams et al.	606/180

6,183,433	B1 *	2/2001	Bays	604/22
6,726,664	B2 *	4/2004	Yaron et al.	604/265
D585,550	S *	1/2009	Katsura et al.	D24/147
D588,270	S *	3/2009	Hickok	D24/152
D589,620	S *	3/2009	Hickok	D24/152
D598,099	S *	8/2009	Halbig	D24/138
2006/0063973	A1 *	3/2006	Makower et al.	600/114

\* cited by examiner

*Primary Examiner* — Charles A Rademaker

*Assistant Examiner* — Carissa C Fitts

(74) *Attorney, Agent, or Firm* — St. Onge Steward Johnston & Reens LLC

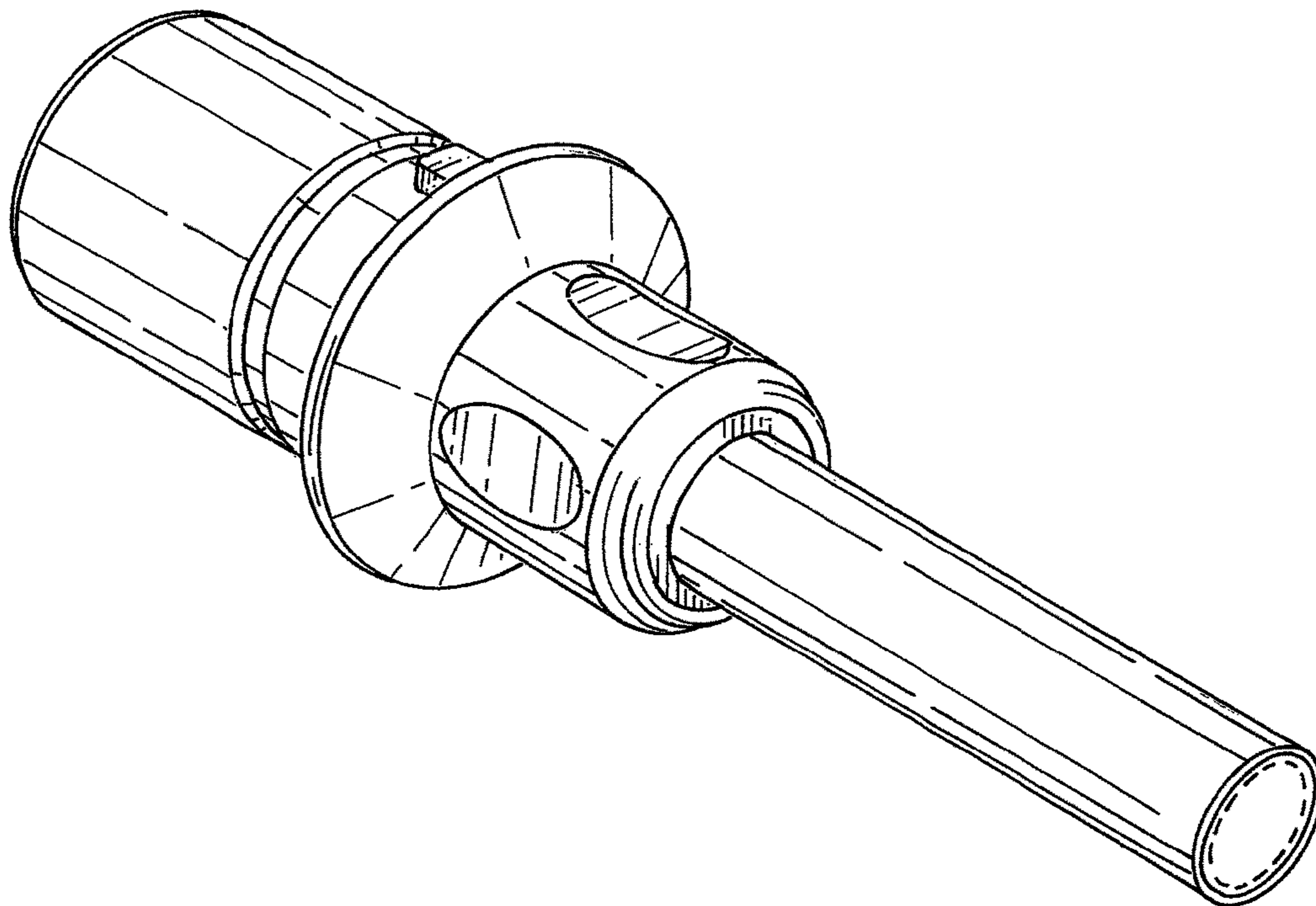
(57) **CLAIM**

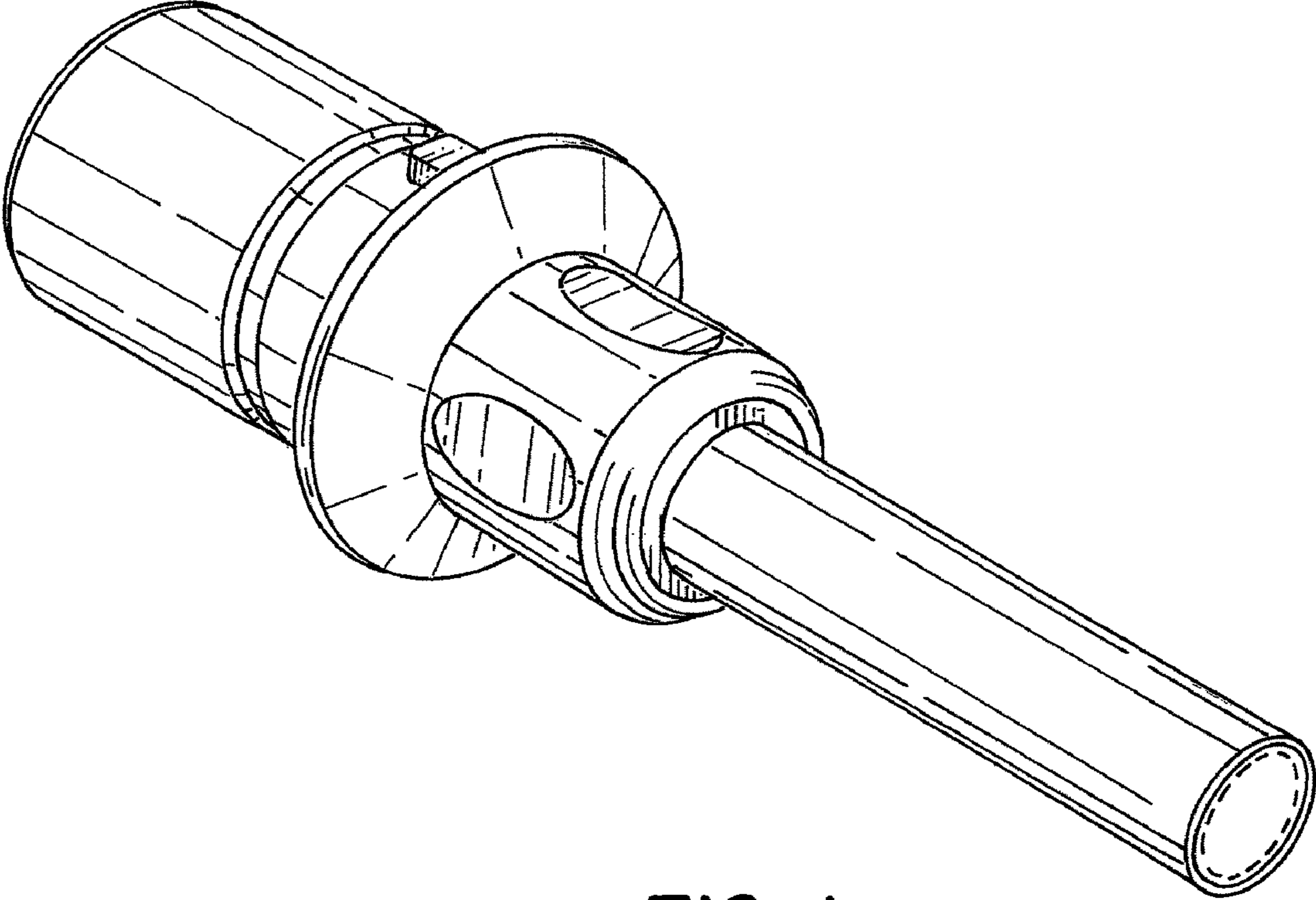
The ornamental design for an irrigation adapter for shaver, as shown and described.

**DESCRIPTION**

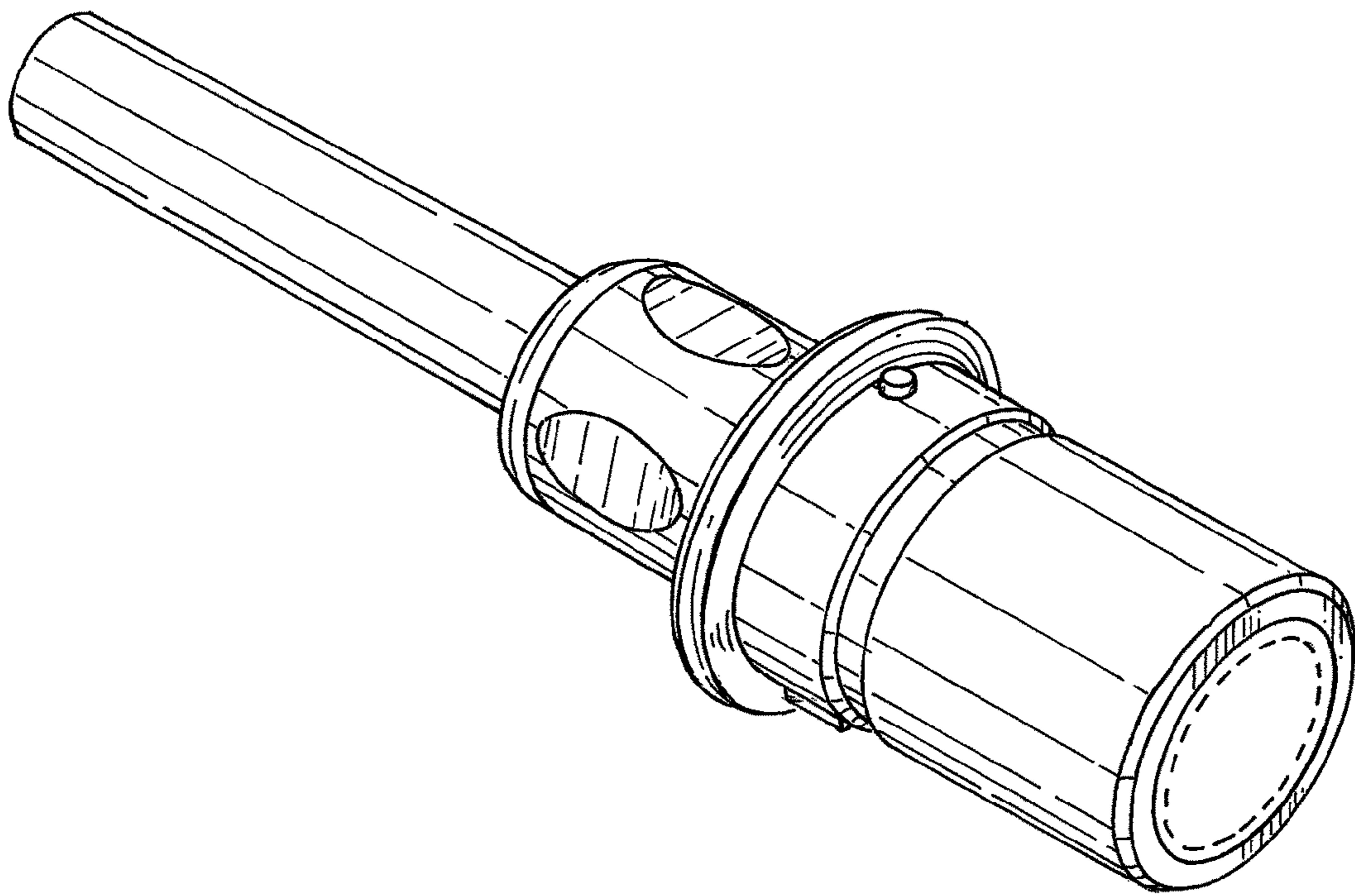
FIG. 1 is a top perspective view of an irrigation adapter for shaver in accordance with the new design; FIG. 2 is bottom perspective view thereof; FIG. 3 is a left side elevation view thereof, the right side elevation view being a mirror image thereof; FIG. 4 is a top plan view thereof; FIG. 5 is bottom plan view thereof; FIG. 6 is a left side perspective view thereof; FIG. 7 is a front elevation view thereof; and, FIG. 8 is a rear elevation view thereof. The broken line showing in FIGS. 1, 2, 7 and 8 is included for the purpose of illustrating portions of the irrigation adapter for shaver that form no part of the claimed design.

**1 Claim, 5 Drawing Sheets**

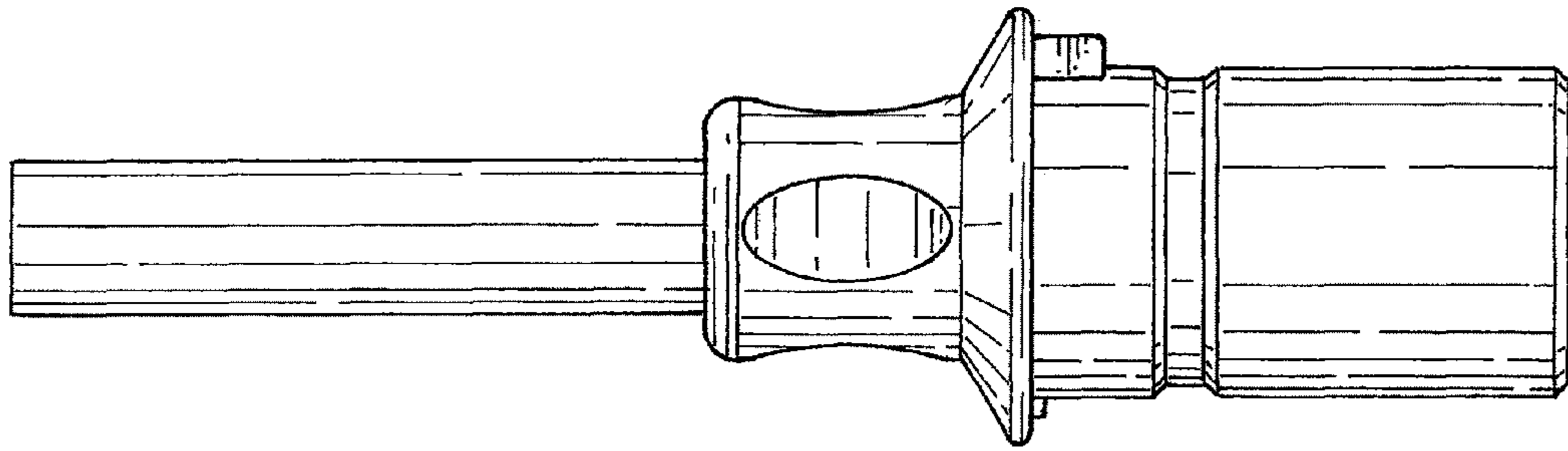




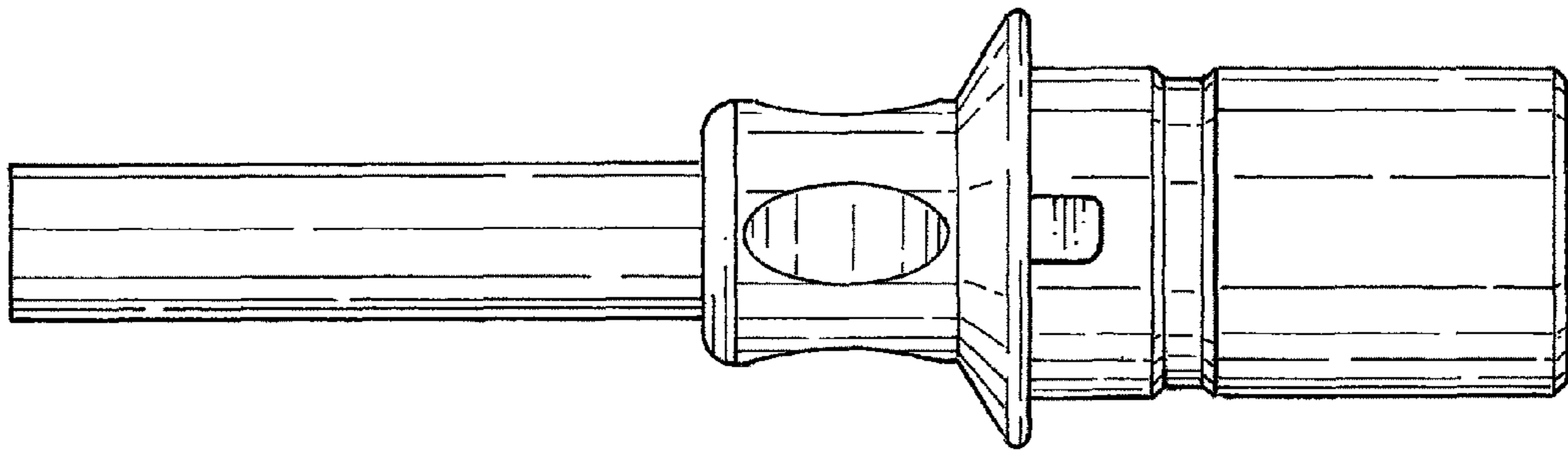
*FIG. 1*



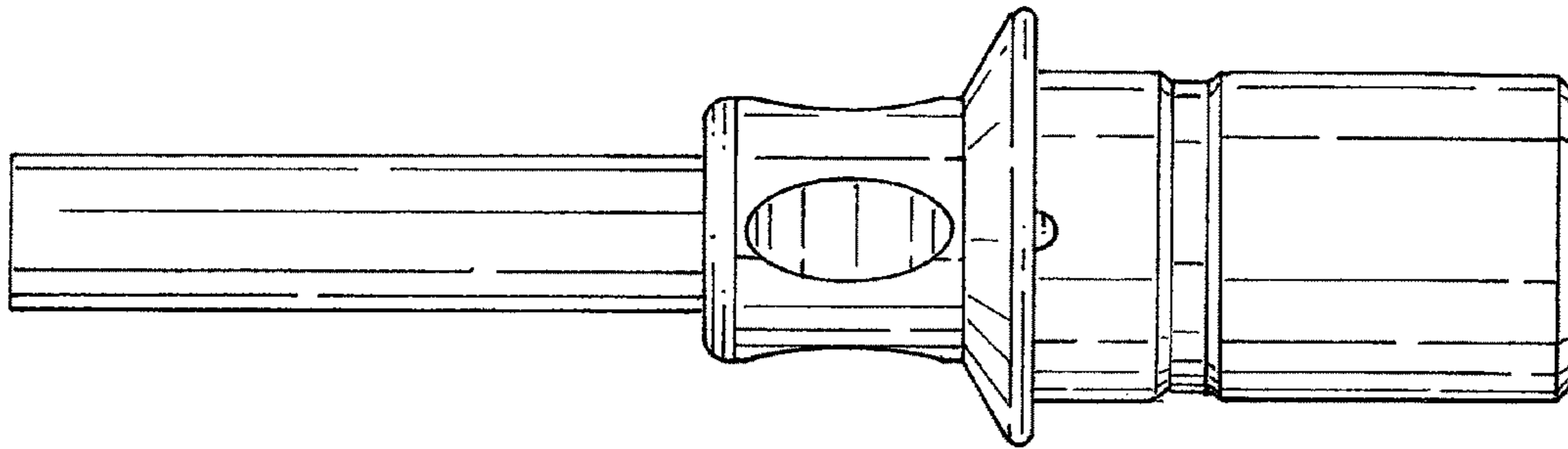
*FIG. 2*



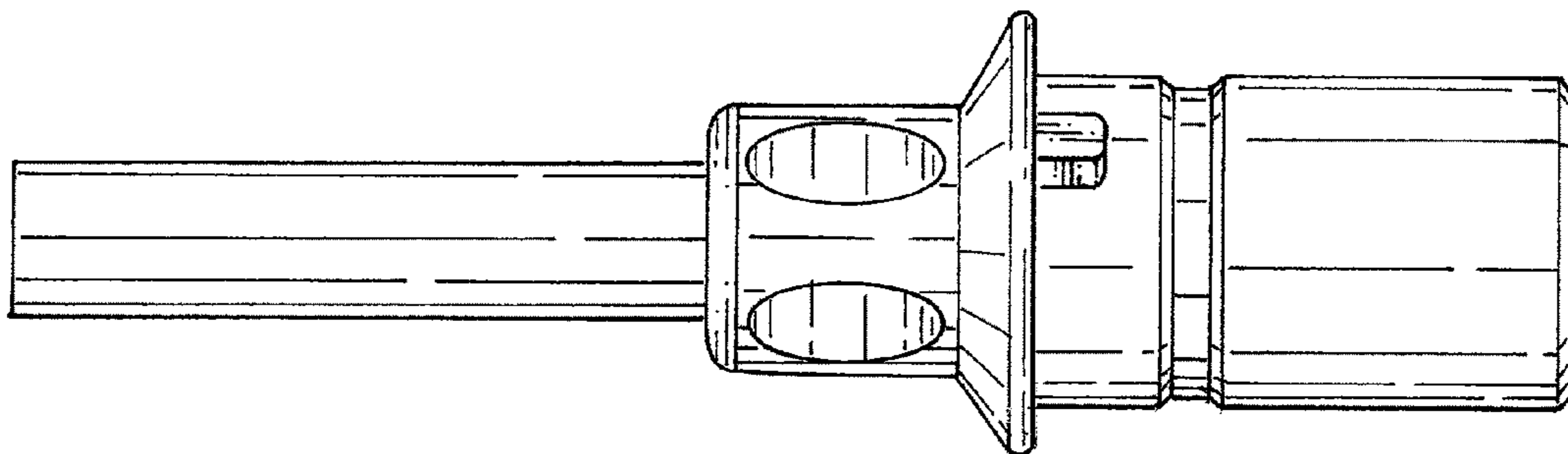
*FIG. 3*



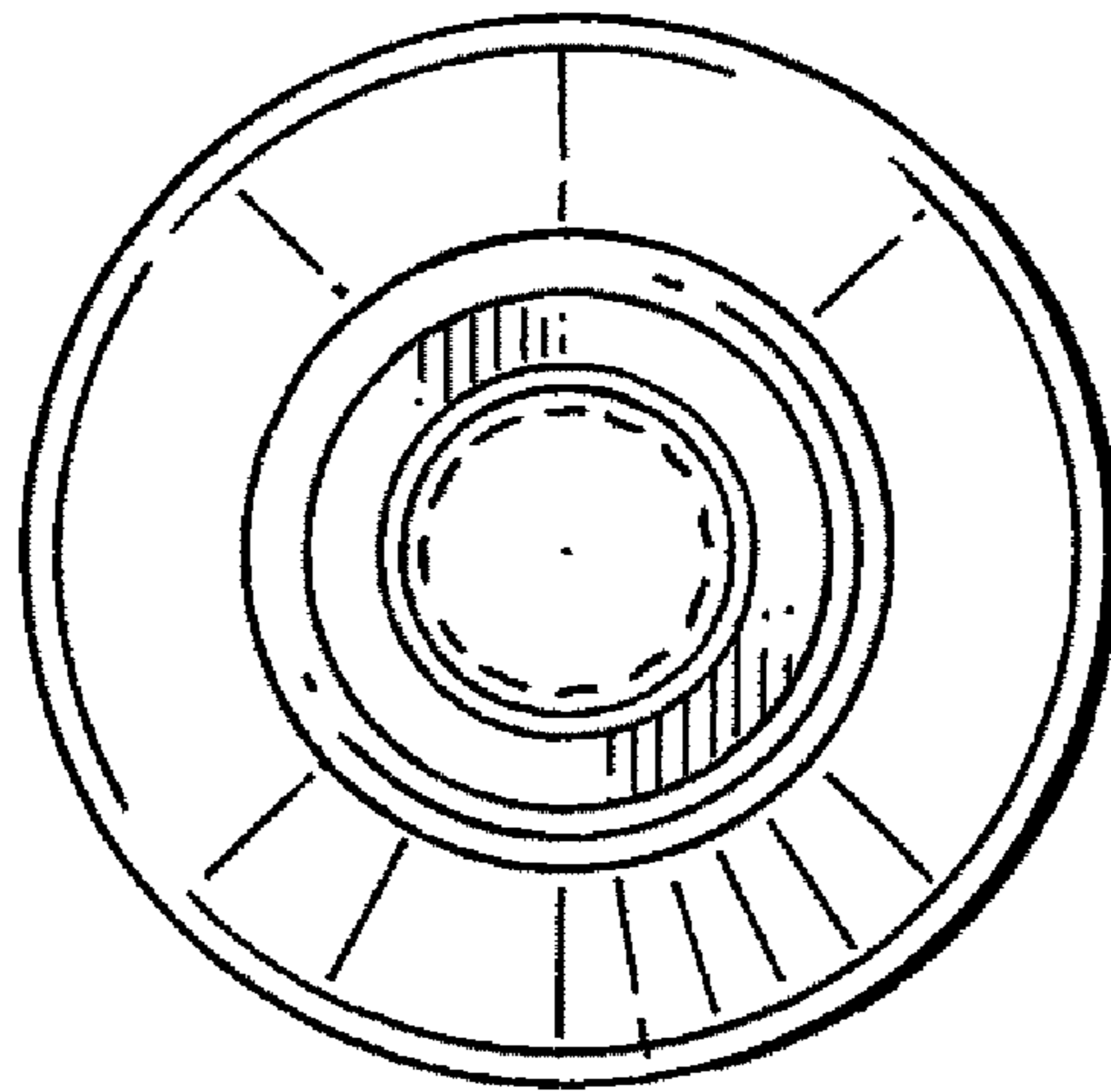
*FIG. 4*



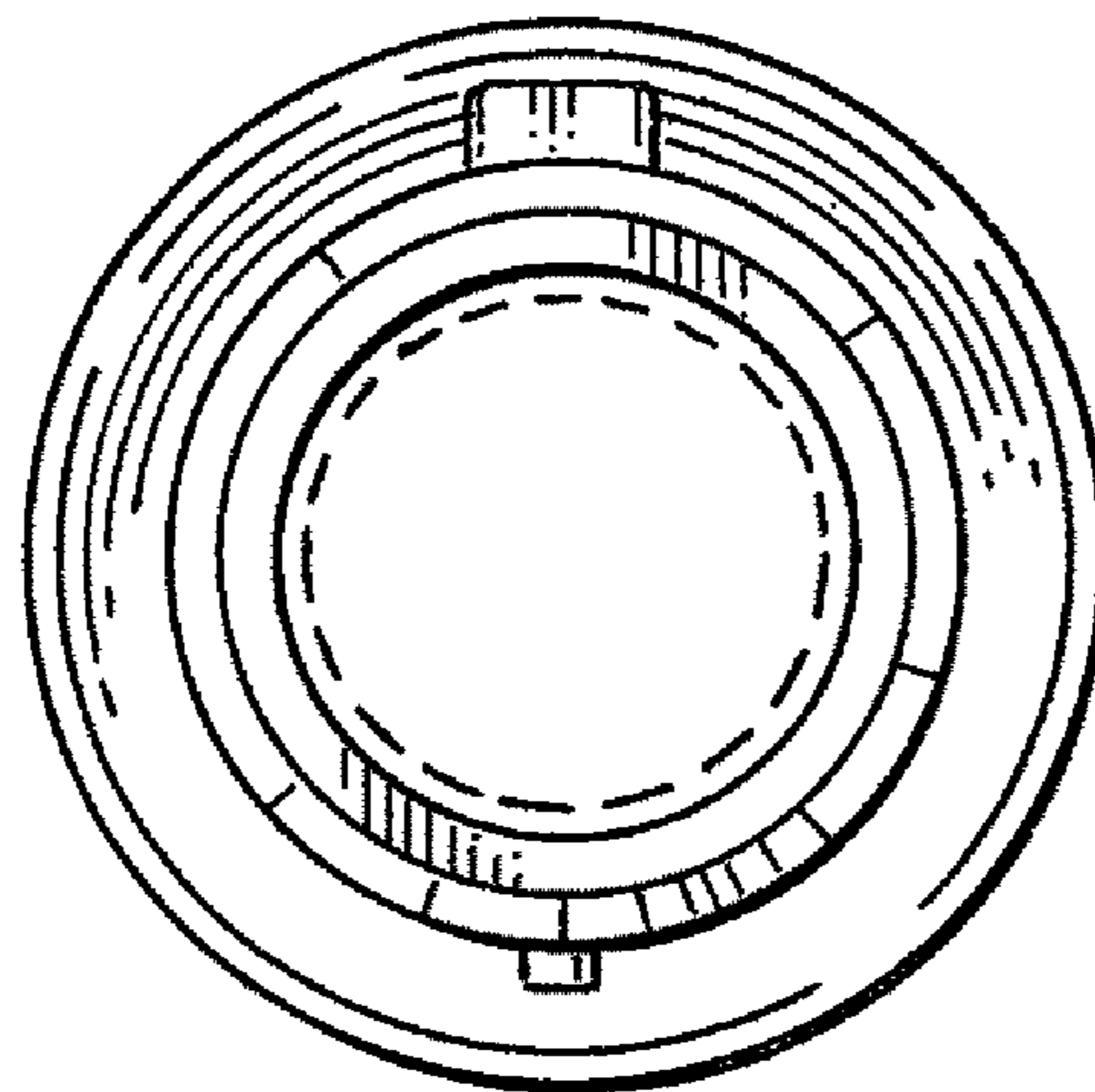
*FIG. 5*



*FIG. 6*



*FIG. 7*



*FIG. 8*