

US00D637288S

(12) **United States Design Patent**
Houghton

(10) **Patent No.:** **US D637,288 S**

(45) **Date of Patent:** **** May 3, 2011**

(54) **SURGICAL HANDPIECE**

(75) **Inventor:** **Christopher Houghton**, Chicago, IL
(US)

(73) **Assignee:** **ConMed Corporation**, Utica, NY (US)

(**) **Term:** **14 Years**

(21) **Appl. No.:** **29/366,362**

(22) **Filed:** **Jul. 23, 2010**

(51) **LOC (9) Cl.** **24-02**

(52) **U.S. Cl.** **D24/133**

(58) **Field of Classification Search** D24/133,
D24/143-149; 606/1, 80, 85, 167, 169, 170,
606/171, 176, 180; 604/22, 27

See application file for complete search history.

(56) **References Cited**

U.S. PATENT DOCUMENTS

D349,341 S	8/1994	Lichtman et al.	
D358,887 S	5/1995	Feinberg	
D378,611 S	3/1997	Croley	
D379,228 S	5/1997	Rahimzadeh et al.	
D420,741 S	2/2000	Croley	
D441,865 S *	5/2001	Racenet et al.	D24/145
6,296,656 B1 *	10/2001	Bolduc et al.	606/213
D457,958 S	5/2002	Dycus et al.	
D466,209 S	11/2002	Bon	
D490,896 S	6/2004	Bogazzi	
D495,413 S	8/2004	Perry et al.	
D496,997 S	10/2004	Dycus et al.	
D499,181 S	11/2004	Dycus et al.	
D509,297 S	9/2005	Wells	
D509,589 S	9/2005	Wells	

D531,311 S	10/2006	Guerra et al.	
D541,418 S	4/2007	Schechter et al.	
D575,401 S *	8/2008	Hixson et al.	D24/144
D582,038 S *	12/2008	Swoyer et al.	D24/144
D594,983 S *	6/2009	Price et al.	D24/145
D618,797 S *	6/2010	Price et al.	D24/145
D621,503 S *	8/2010	Otten et al.	D24/133
2007/0233053 A1 *	10/2007	Shelton et al.	606/1
2009/0105750 A1 *	4/2009	Price et al.	606/206

* cited by examiner

Primary Examiner — Bridget L Eland

(74) *Attorney, Agent, or Firm* — John R. Ley

(57) **CLAIM**

The ornamental design for the surgical handpiece, as shown and described.

DESCRIPTION

FIG. 1 is a perspective view of the surgical handpiece showing my new design;

FIG. 2 is a right side elevational view thereof;

FIG. 3 is a left side elevational view thereof;

FIG. 4 is a front elevational view thereof;

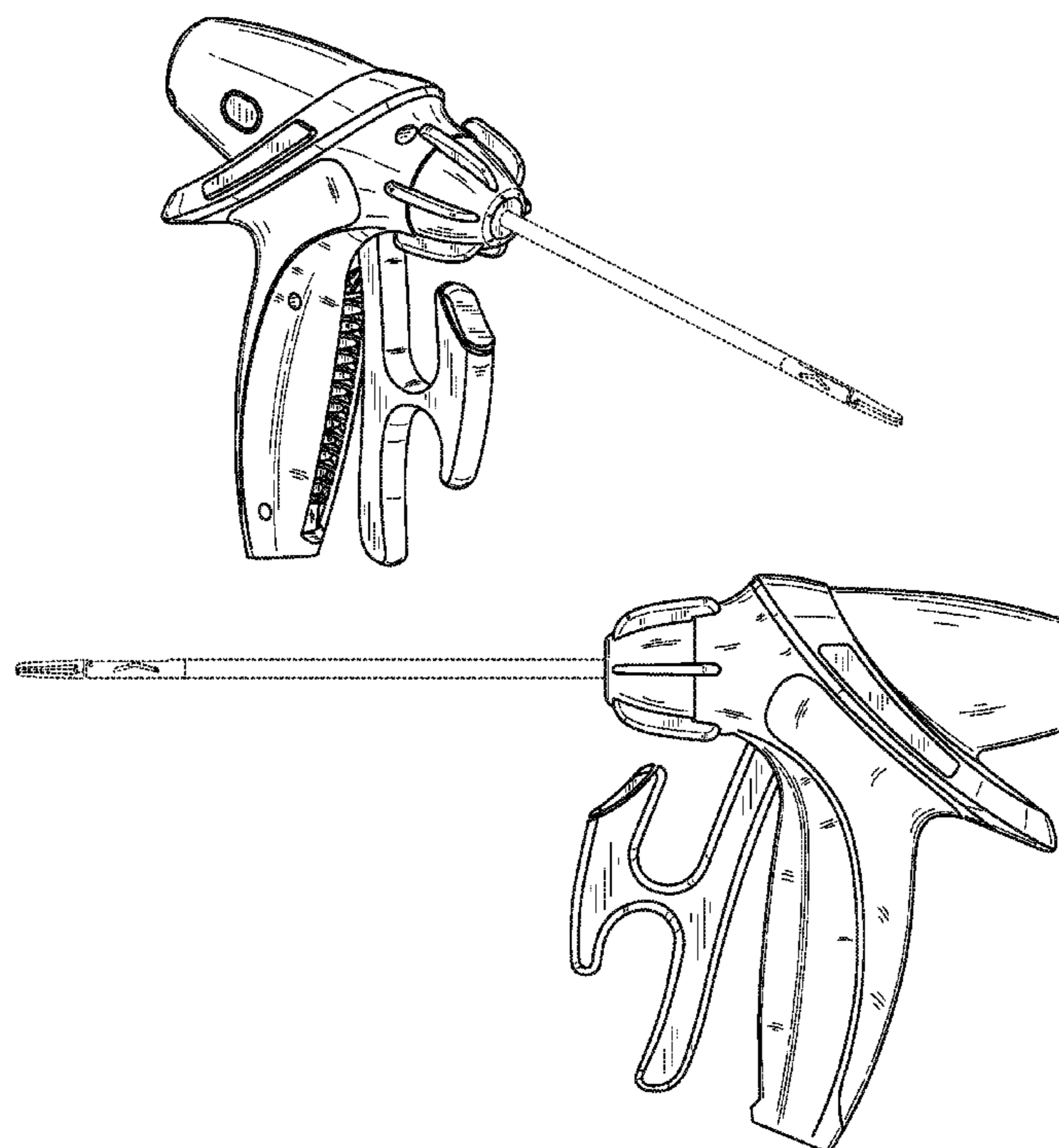
FIG. 5 is a rear elevational view thereof;

FIG. 6 is a top plan view thereof; and,

FIG. 7 is a bottom plan view thereof.

The broken lines immediately adjacent the shaded areas represent the bounds of the claimed design while all other broken lines are directed to environment and are for illustrative purposes only; the broken lines form no part of the claimed design.

1 Claim, 5 Drawing Sheets



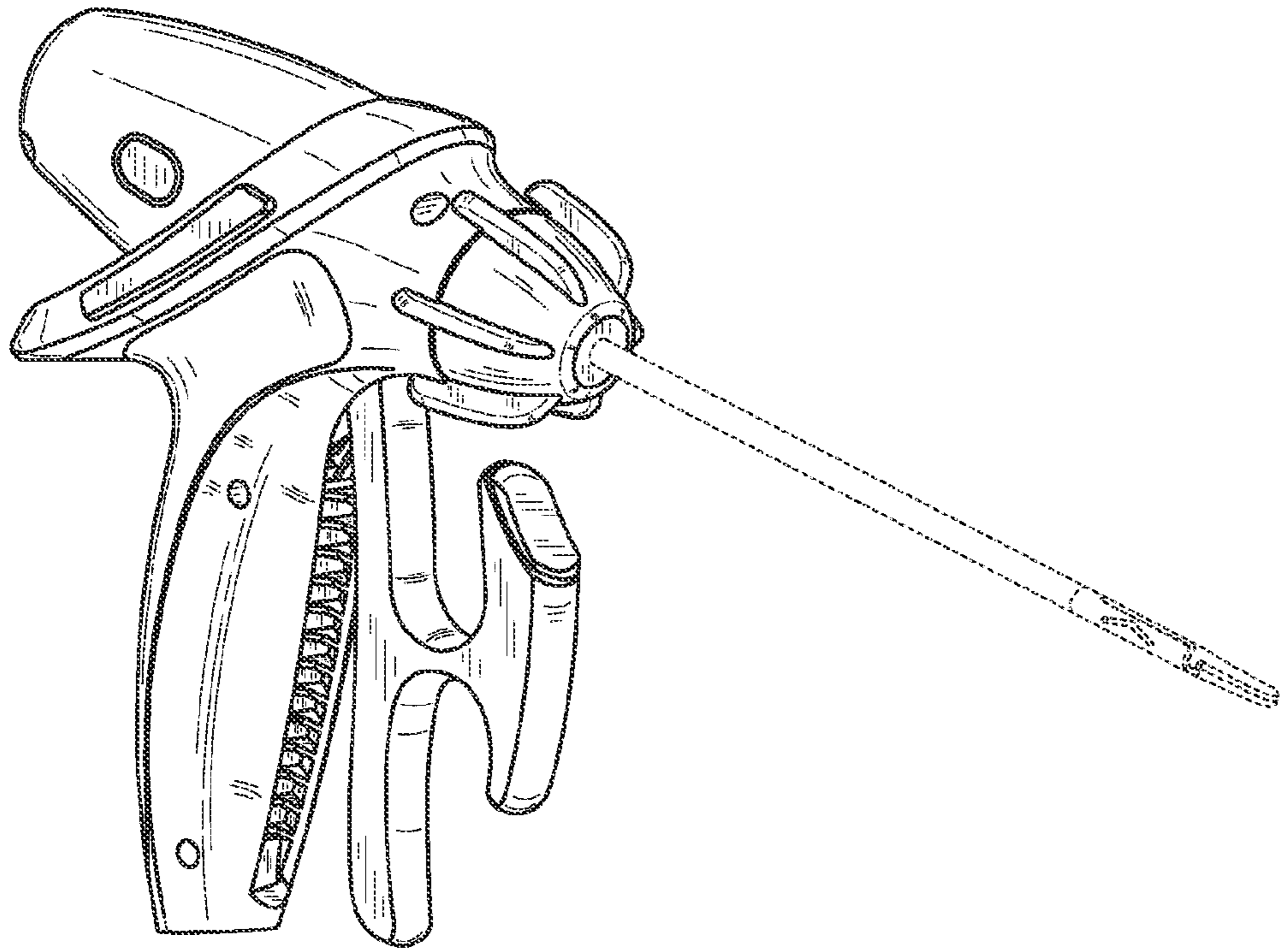


FIG.1

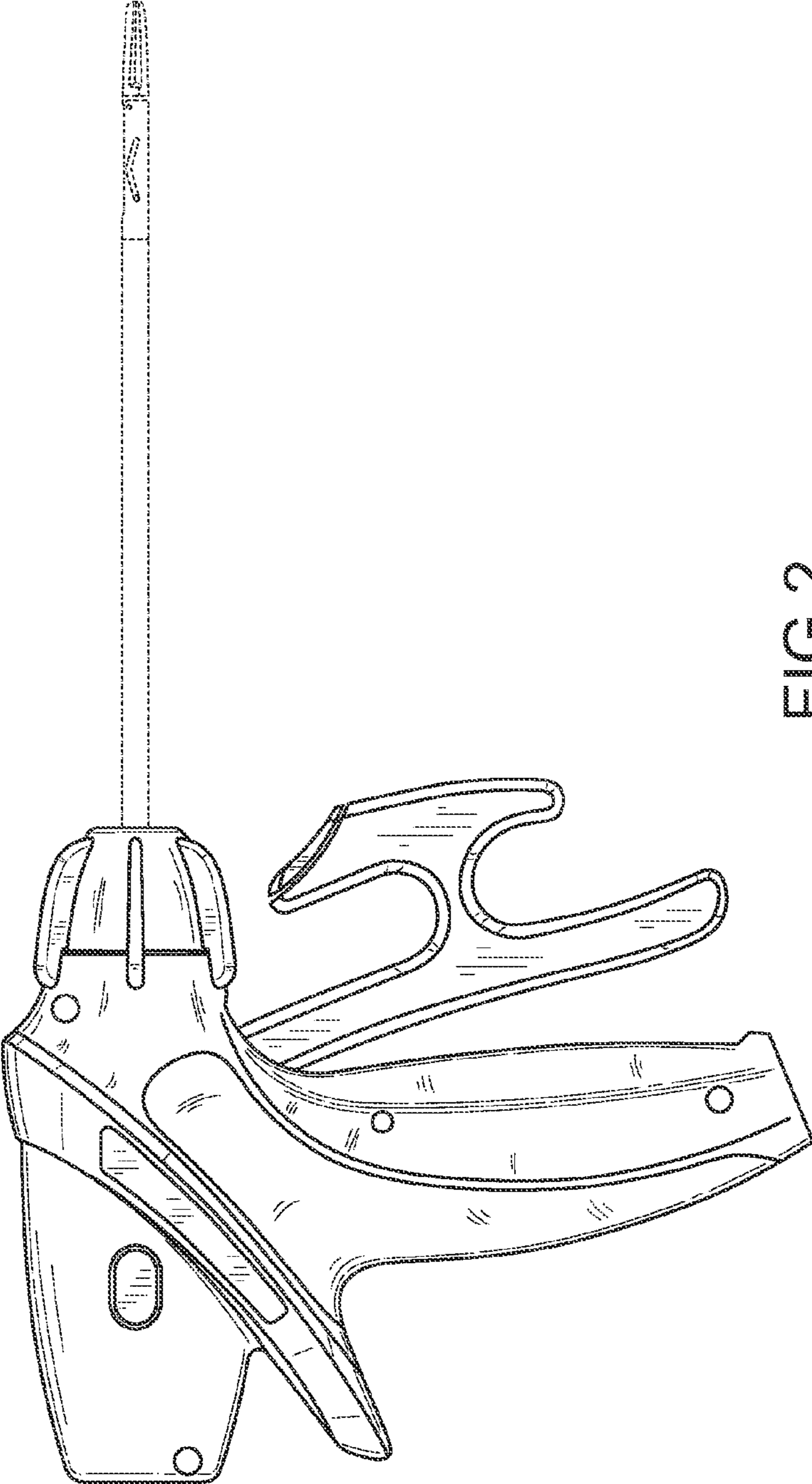


FIG.2

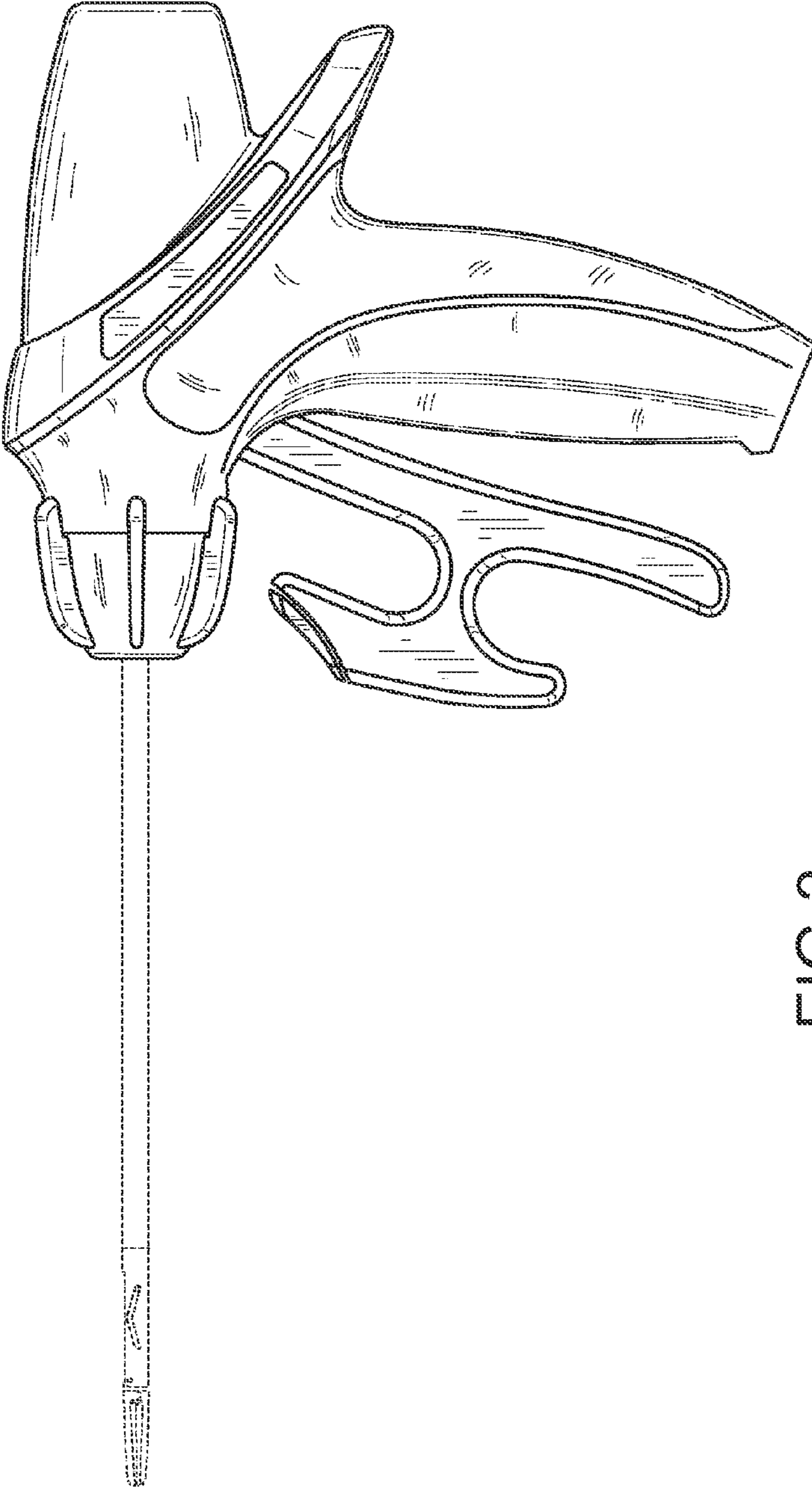


FIG.3

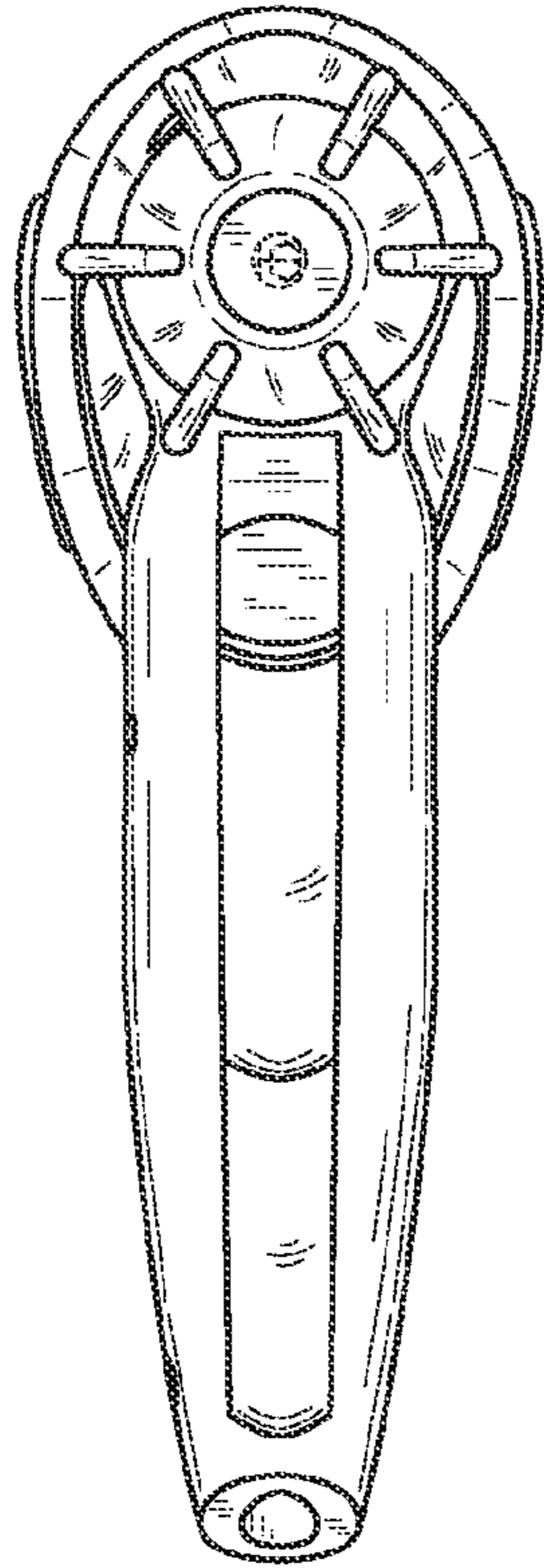


FIG.4

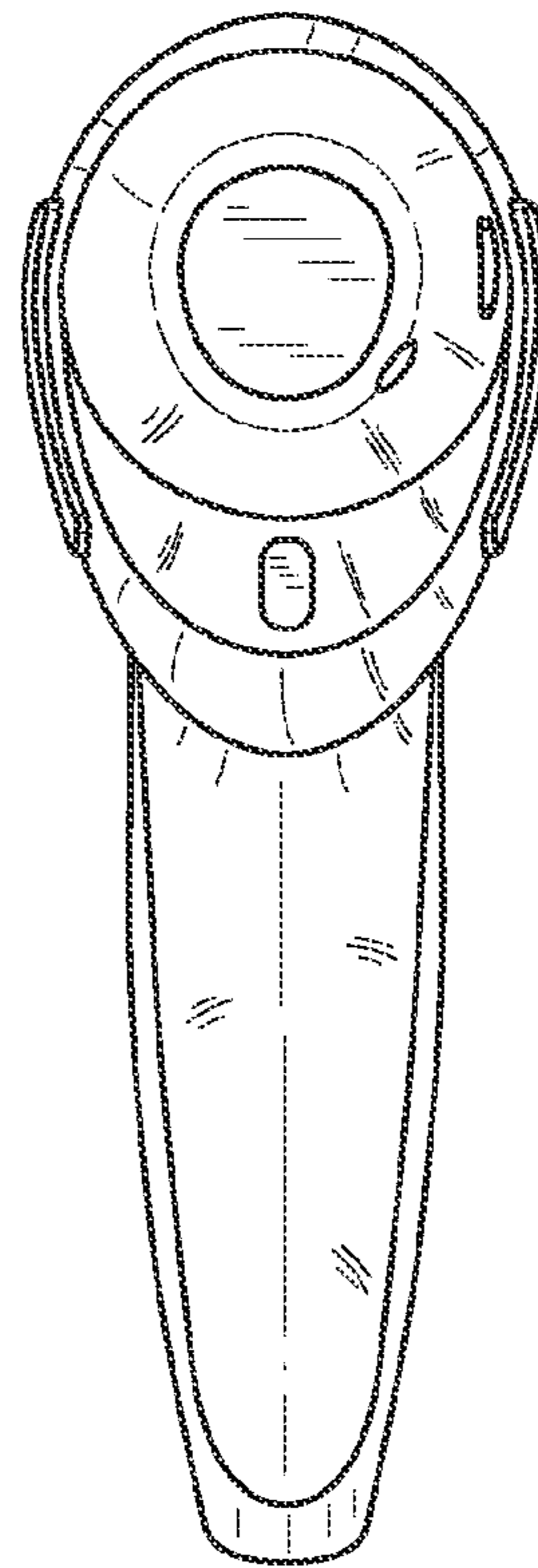


FIG.5

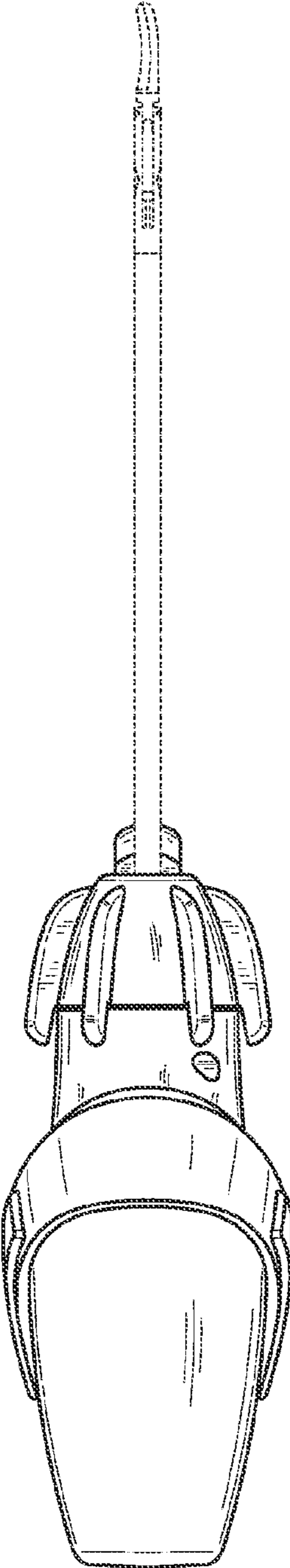


FIG. 6

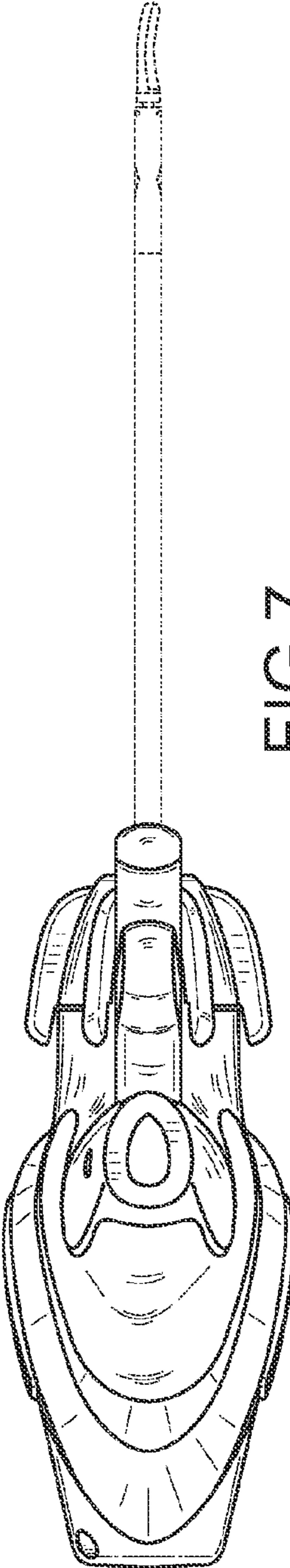


FIG. 7