



US00D637287S

(12) **United States Design Patent**
Mudd et al.

(10) **Patent No.:** **US D637,287 S**
(45) **Date of Patent:** **** May 3, 2011**

(54) **COMBINATION HANDHELD DELIVERY
DEVICE AND CONTROLLER UNIT**

(75) Inventors: **Christopher S. Mudd**, Goleta, CA (US);
Ahmet Tezel, Goleta, CA (US)

(73) Assignee: **Allergan, Inc.**, Irvine, CA (US)

(**) Term: **14 Years**

(21) Appl. No.: **29/346,343**

(22) Filed: **Oct. 30, 2009**

(51) **LOC (9) Cl.** **24-02**

(52) **U.S. Cl.** **D24/133**

(58) **Field of Classification Search** D24/133,
D24/134, 135, 136, 137, 138, 139, 140, 141,
D24/142, 143, 146, 150, 152, 144, 145, 147,
D24/148, 149, 151, 153, 154, 127, 128, 129,
D24/130, 107-108, 112, 111, 200; D27/100,
D27/101, 170, 183; D23/233, 235; D8/40,
D8/47, 57, 60, 67, 68, 69, 80, 82, 83, 84,
D8/93, 94, 97, 107; 600/184, 220-223, 224,
600/225-227, 201-203, 210-218; 606/7,
606/86 A, 86 B, 119, 129, 186; 81/9.22;
604/48

See application file for complete search history.

(56) **References Cited**

U.S. PATENT DOCUMENTS

4,529,401	A	7/1985	Leslie et al.	
D298,353	S *	11/1988	Manno	D24/133
5,046,506	A *	9/1991	Singer	600/554
D370,731	S *	6/1996	Corace et al.	D24/144
D378,939	S *	4/1997	Smith et al.	D24/144
5,690,618	A	11/1997	Smith et al.	
D424,194	S *	5/2000	Holdaway et al.	D24/112
6,086,544	A *	7/2000	Hibner et al.	600/568
D441,077	S *	4/2001	Garito et al.	D24/144
D448,482	S *	9/2001	Bellofatto et al.	D24/133
6,432,046	B1 *	8/2002	Yarush et al.	600/179
6,991,621	B2 *	1/2006	Bacher et al.	604/247

D537,162	S *	2/2007	Bacher et al.	D24/133
D547,450	S *	7/2007	Hurlstone et al.	D24/137
D560,805	S *	1/2008	Young et al.	D24/146

(Continued)

FOREIGN PATENT DOCUMENTS

EP 0362484 A2 4/1990

(Continued)

Primary Examiner — Bridget L Eland

(74) *Attorney, Agent, or Firm* — Linda A. Fox; Allergan, Inc.

(57) **CLAIM**

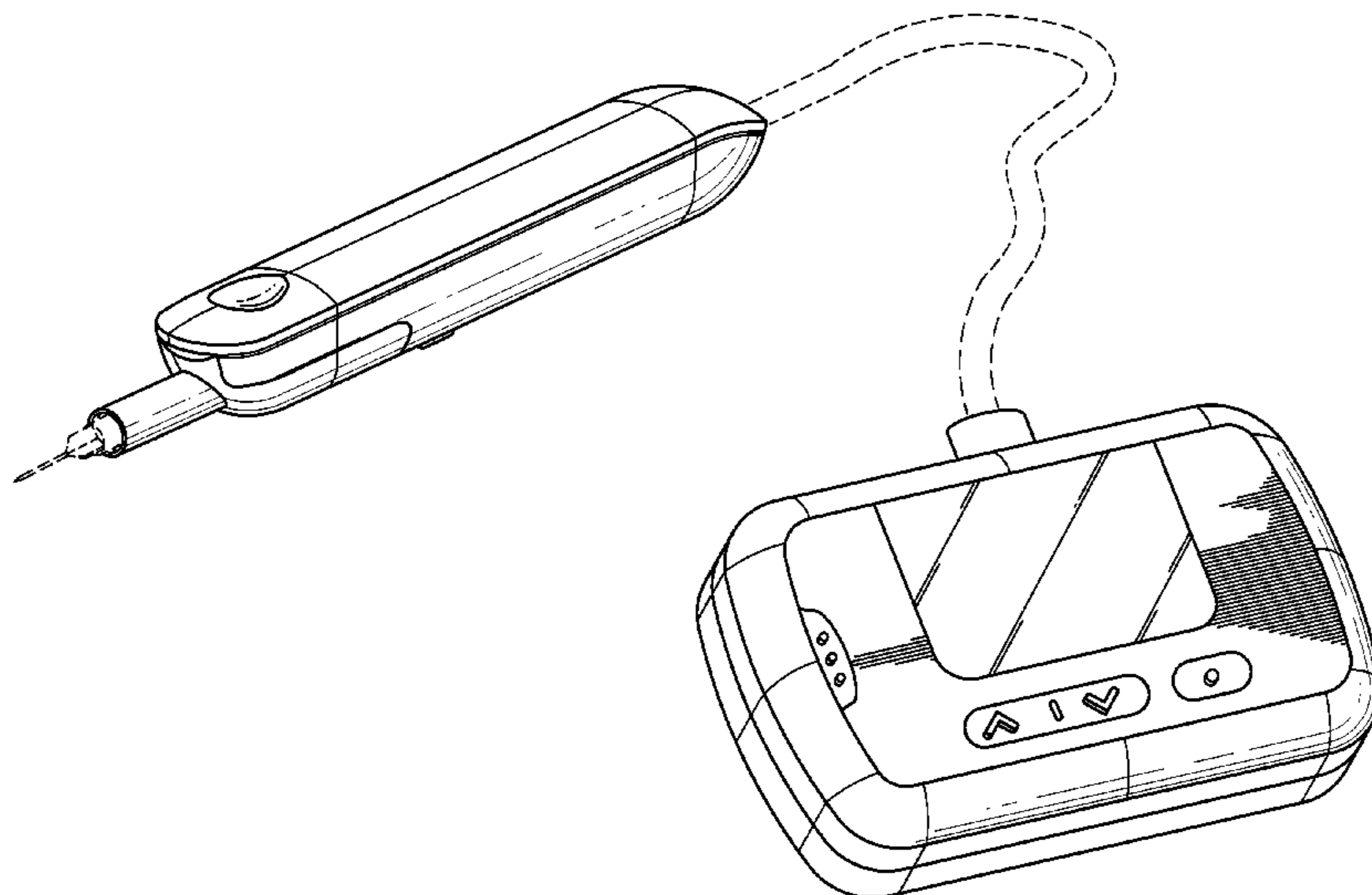
The ornamental design for a combination handheld delivery device and controller unit, as shown and described.

DESCRIPTION

FIG. 1 is a perspective view of a combined handheld delivery device and controller unit showing our new design; FIG. 2 is a top view of the handheld delivery device, the controller unit not shown; FIG. 3 is a bottom view of the handheld delivery device; FIG. 4 is a first side view of the handheld delivery device; FIG. 5 is a second side view of the handheld delivery device; FIG. 6 is a front view of the handheld delivery device; FIG. 7 is a back view of the handheld delivery device; FIG. 8 is a perspective view of the controller unit as attached to a user's wrist, the handheld delivery device not shown; FIG. 9 is a top view of the controller unit; FIG. 10 is a bottom view of the controller unit; FIG. 11 is a front view of the controller unit; FIG. 12 is a back view of the controller unit; and, FIG. 13 is a side view of the controller unit, the opposing side being a mirror image thereof.

The broken lines depicting the connection apertures in FIGS. 7 and 11 represent the bounds of the claimed design while all other broken lines are directed to environment and are for illustrative purposes only; the broken lines form no part of the claimed design.

1 Claim, 5 Drawing Sheets



US D637,287 S

Page 2

U.S. PATENT DOCUMENTS

D569,508 S * 5/2008 Bacher et al. D24/133
7,419,472 B2 * 9/2008 Hibner et al. 600/564
D585,543 S * 1/2009 Yodfat et al. D24/111
7,494,473 B2 * 2/2009 Eggers et al. 600/582
D588,696 S * 3/2009 Mantle et al. D24/144
7,631,415 B2 * 12/2009 Phillips et al. 29/602.1
2004/0243023 A1 * 12/2004 Grigoryants et al. 600/564
2004/0249307 A1 * 12/2004 Thompson et al. 600/568
2005/0177068 A1 * 8/2005 Simpson 600/564
2005/0261633 A1 11/2005 Khalaj

2006/0224083 A1 * 10/2006 Clifford et al. 600/564
2007/0232955 A1 * 10/2007 Burbank et al. 600/565
2008/0021268 A1 * 1/2008 Shoroji et al. 600/101
2008/0200758 A1 * 8/2008 Orbay et al. 600/112
2009/0124996 A1 5/2009 Heneveld et al.

FOREIGN PATENT DOCUMENTS

EP 1859827 A1 11/2007
FR 2622457 A1 5/1989

* cited by examiner

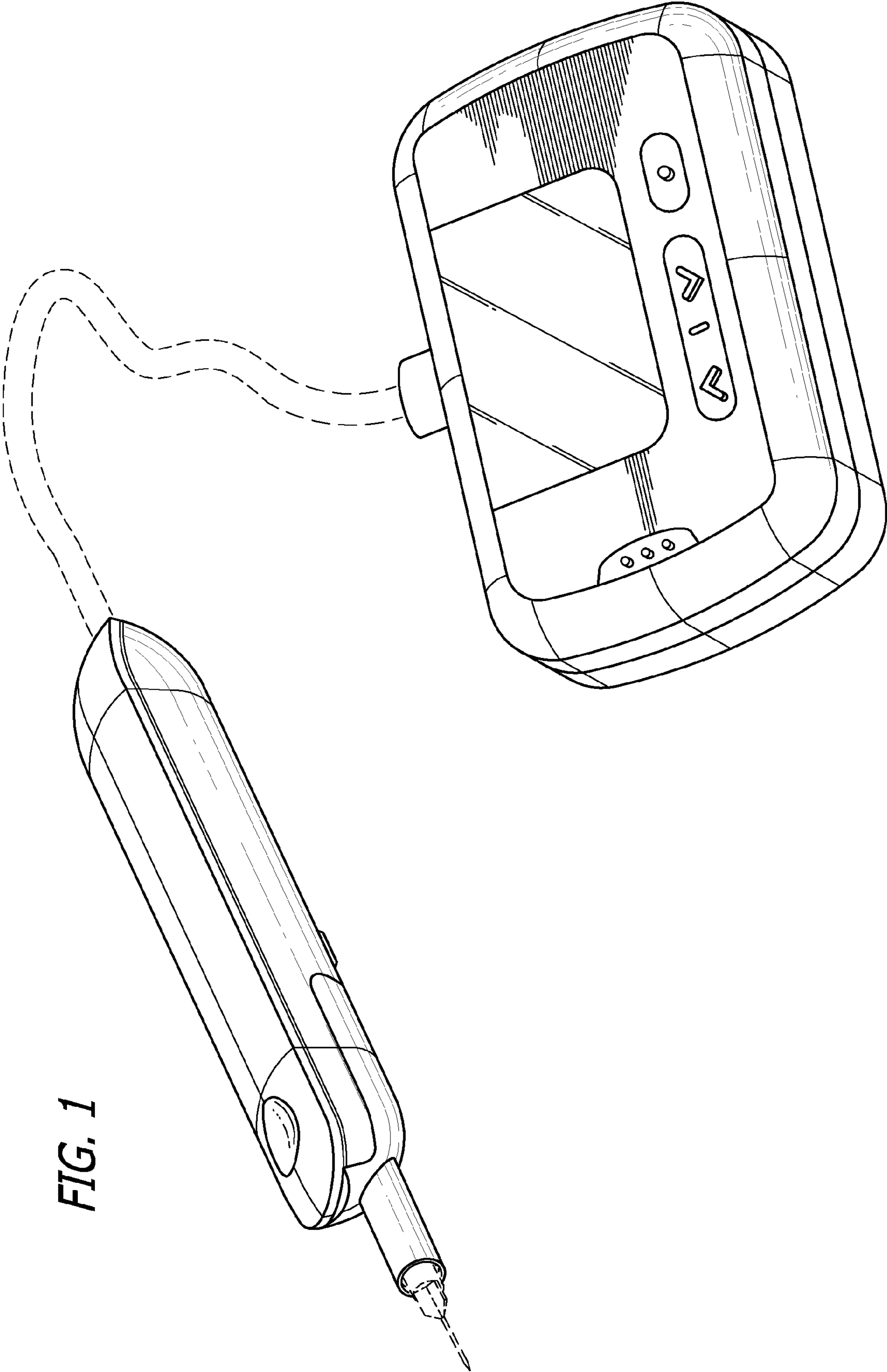


FIG. 1

FIG. 2

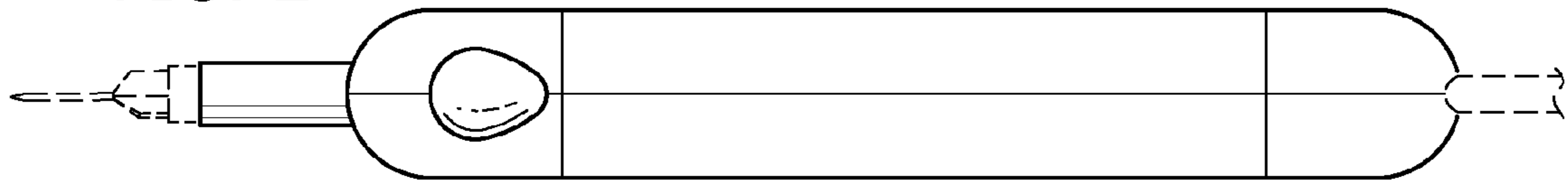


FIG. 3

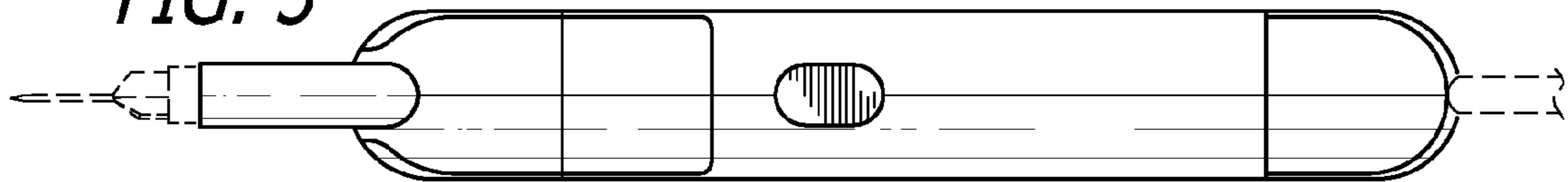


FIG. 4

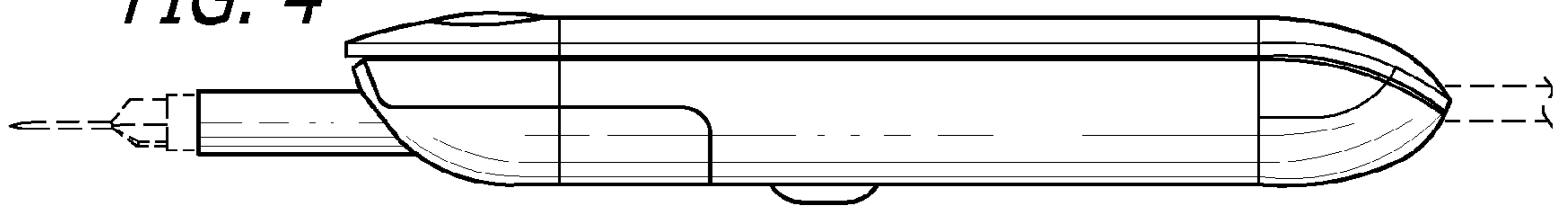


FIG. 5

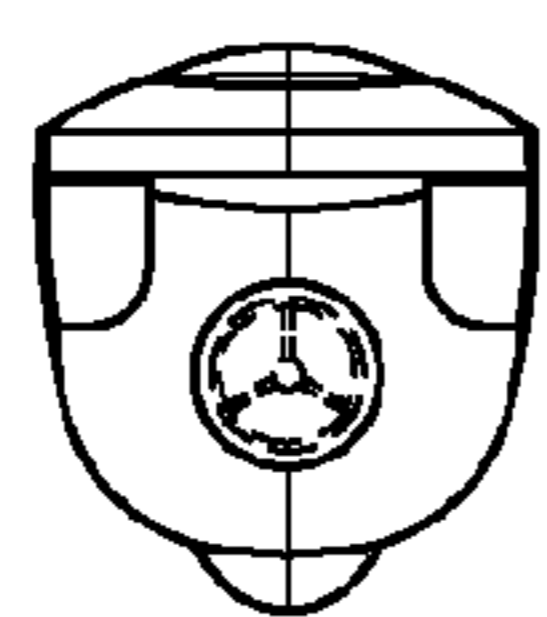
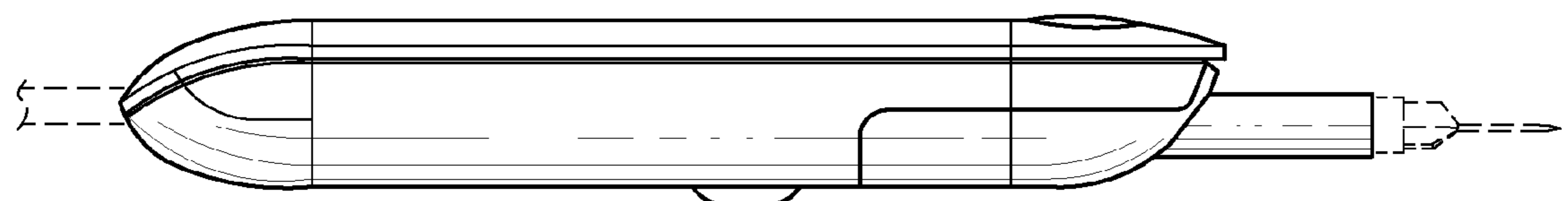


FIG. 6

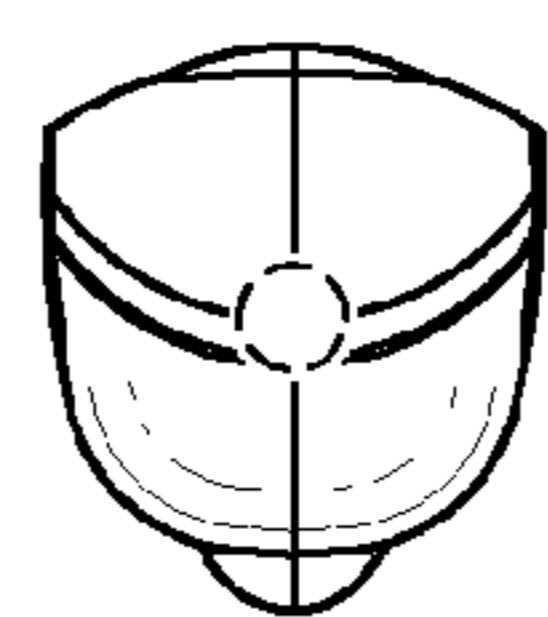


FIG. 7

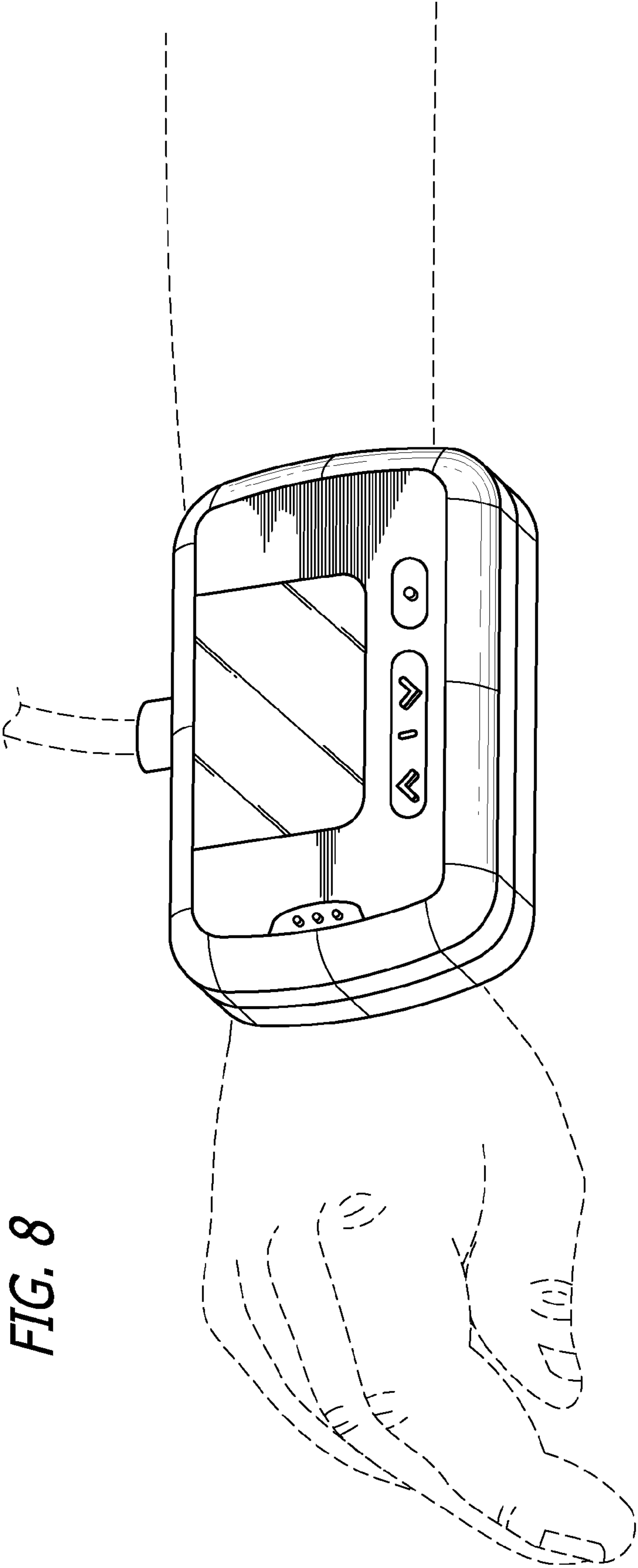


FIG. 8

FIG. 9

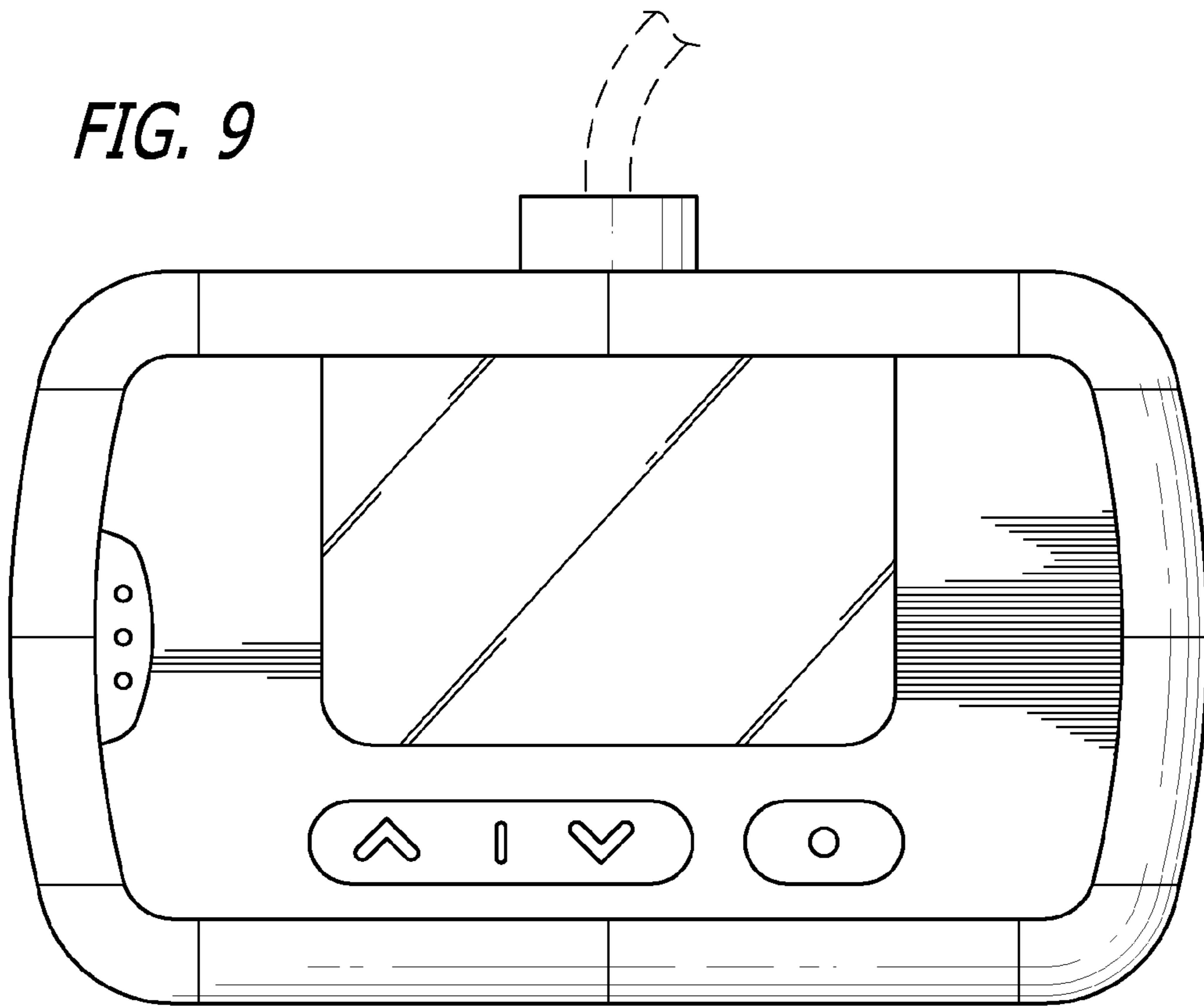


FIG. 10

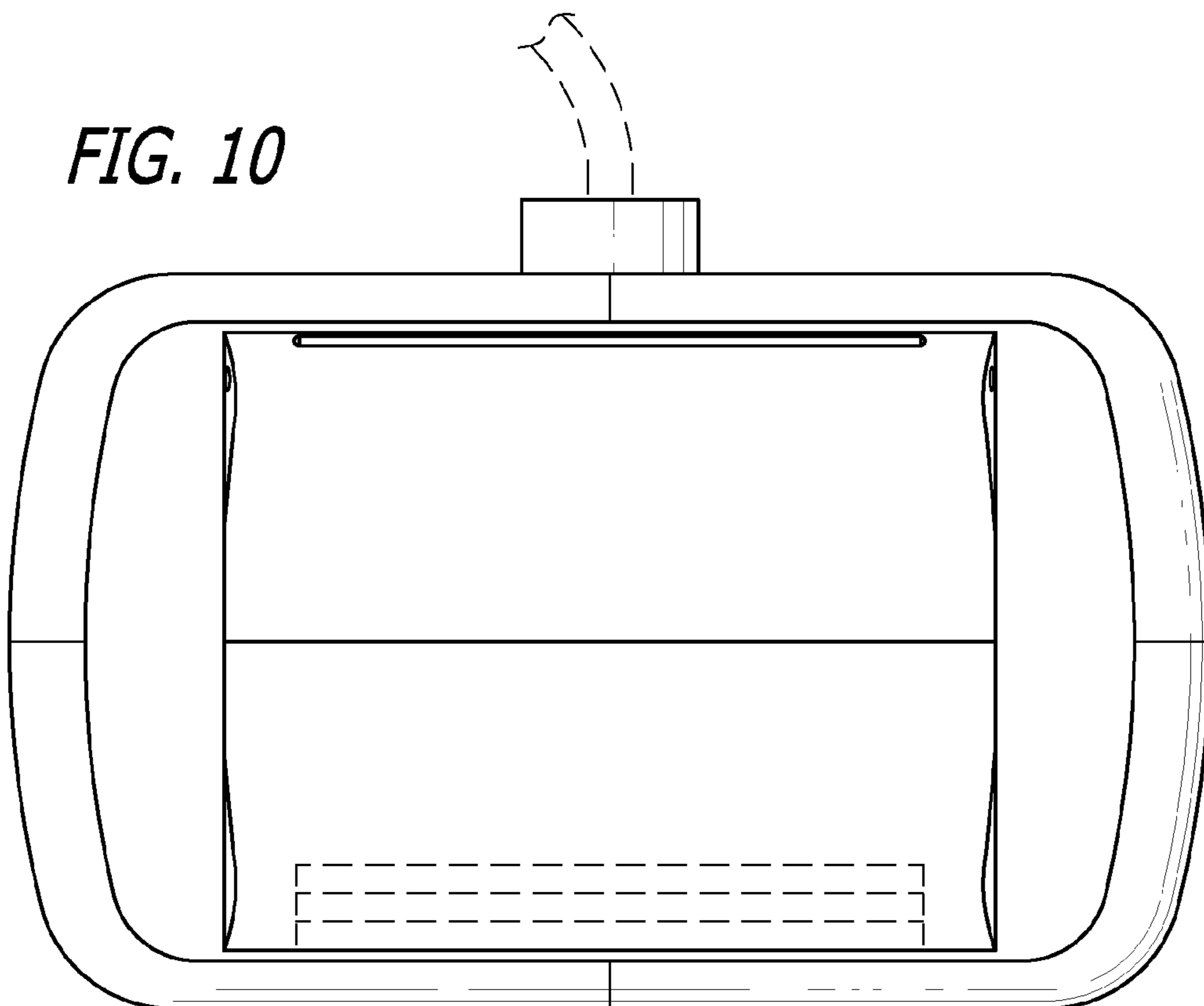


FIG. 11

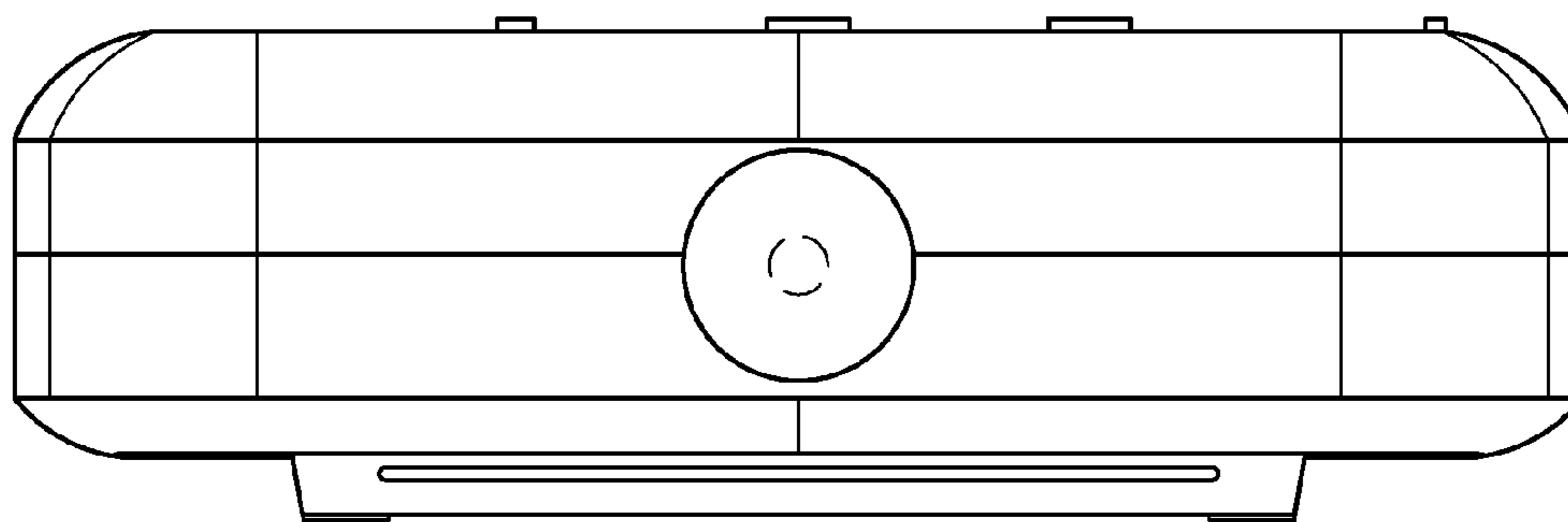


FIG. 12

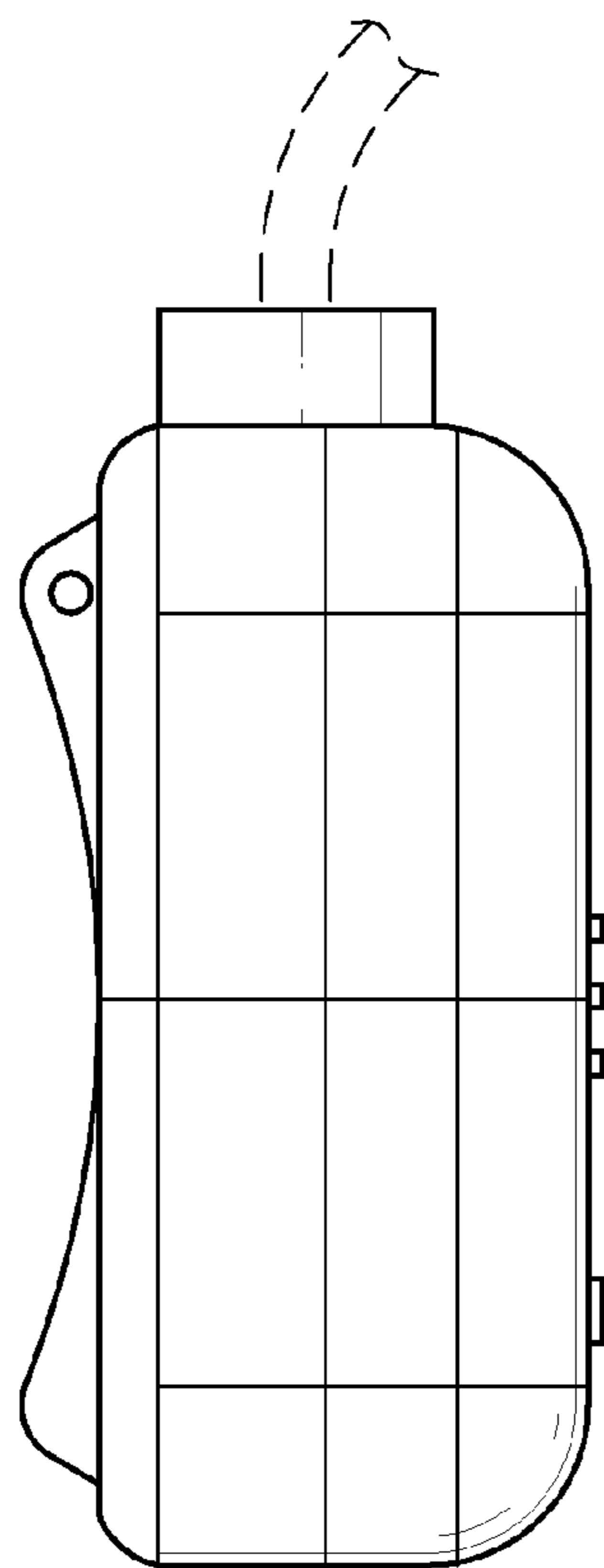
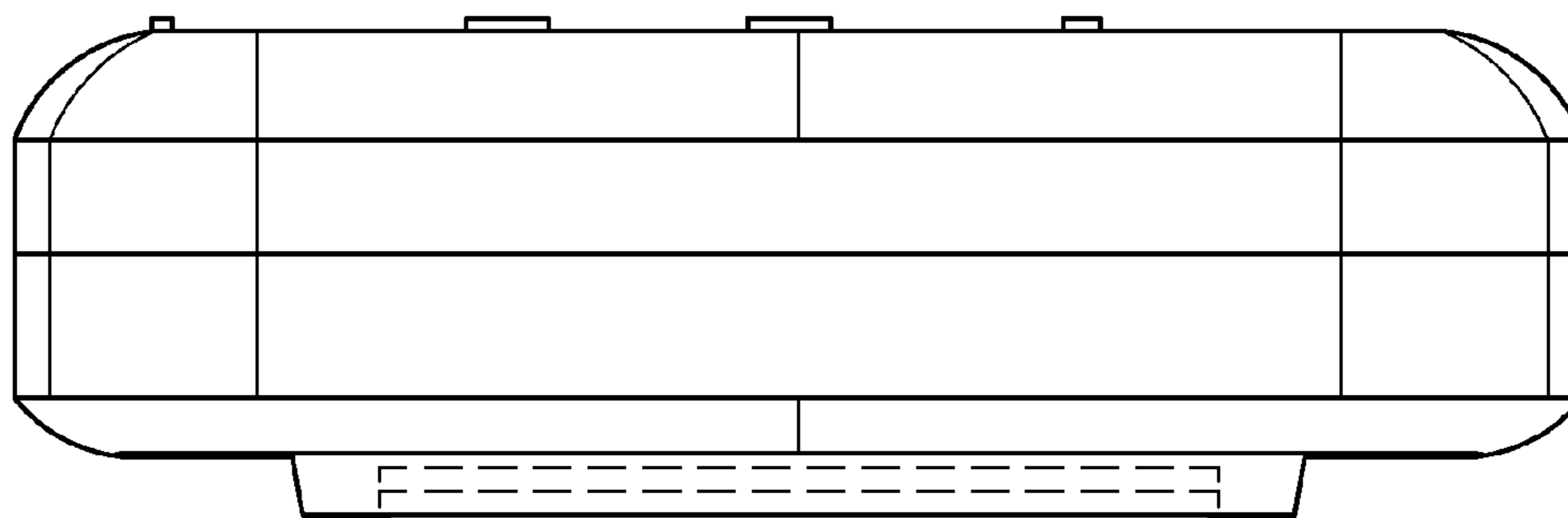


FIG. 13