



US00D637284S

(12) **United States Design Patent**
Fu et al.

(10) **Patent No.:** **US D637,284 S**
(45) **Date of Patent:** **** May 3, 2011**

(54) **FOREHEAD PAD**

(75) Inventors: **Timothy Tsun-Fai Fu**, Carlingford (AU); **Memduh Guney**, Killara (AU); **Perry David Lithgow**, Moruya (AU)

(73) Assignee: **ResMed Limited**, Bella Vista (AU)

(**) Term: **14 Years**

(21) Appl. No.: **29/347,323**

(22) Filed: **Dec. 4, 2009**

Related U.S. Application Data

(60) Division of application No. 29/290,341, filed on Nov. 21, 2007, now Pat. No. Des. 607,994, which is a continuation of application No. 29/232,794, filed on Jun. 24, 2005, now Pat. No. Des. 567,935, which is a continuation of application No. 29/207,546, filed on Jun. 16, 2004, now Pat. No. Des. 545,960, which is a continuation of application No. 29/194,449, filed on Nov. 25, 2003, now Pat. No. Des. 493,522, which is a division of application No. 29/170,558, filed on Nov. 8, 2002, now Pat. No. Des. 486,227.

(51) **LOC (9) Cl.** **29-02**

(52) **U.S. Cl.** **D24/110.1; D24/110.4; D24/110.5**

(58) **Field of Classification Search** D24/110.1, D24/110.4, 110.5, 106; 128/207.11, 206.27, 128/207.13, 205.25, 207.18, 206.25; D8/402, D8/322

See application file for complete search history.

(56) **References Cited**

U.S. PATENT DOCUMENTS

2,804,072 A * 8/1957 Genzer 128/864
D242,743 S * 12/1976 Leight D24/106
D322,318 S 12/1991 Sullivan
D358,463 S * 5/1995 Falco D24/106
D371,193 S * 6/1996 Myers et al. D24/106
5,781,272 A * 7/1998 Bright et al. 351/123

D402,755 S 12/1998 Kwok
6,044,844 A 4/2000 Kwok et al.
D427,304 S * 6/2000 Magidson et al. D24/106
D428,987 S 8/2000 Kwok
6,119,693 A 9/2000 Kwok et al.
D439,326 S 3/2001 Hecker et al.
D441,860 S 5/2001 Kopacko et al.
D443,355 S 6/2001 Gunaratnam et al.
D445,893 S * 7/2001 Remer et al. D24/106
D458,365 S 6/2002 Kopacko et al.

(Continued)

FOREIGN PATENT DOCUMENTS

AU 50770 10/2002

(Continued)

OTHER PUBLICATIONS

Lang et al., US. Appl. No. 29/290,110, filed Oct. 23, 2007.

(Continued)

Primary Examiner — Cathron C Brooks
Assistant Examiner — Christopher Lee
(74) *Attorney, Agent, or Firm* — Nixon & Vanderhye P.C.

(57) **CLAIM**

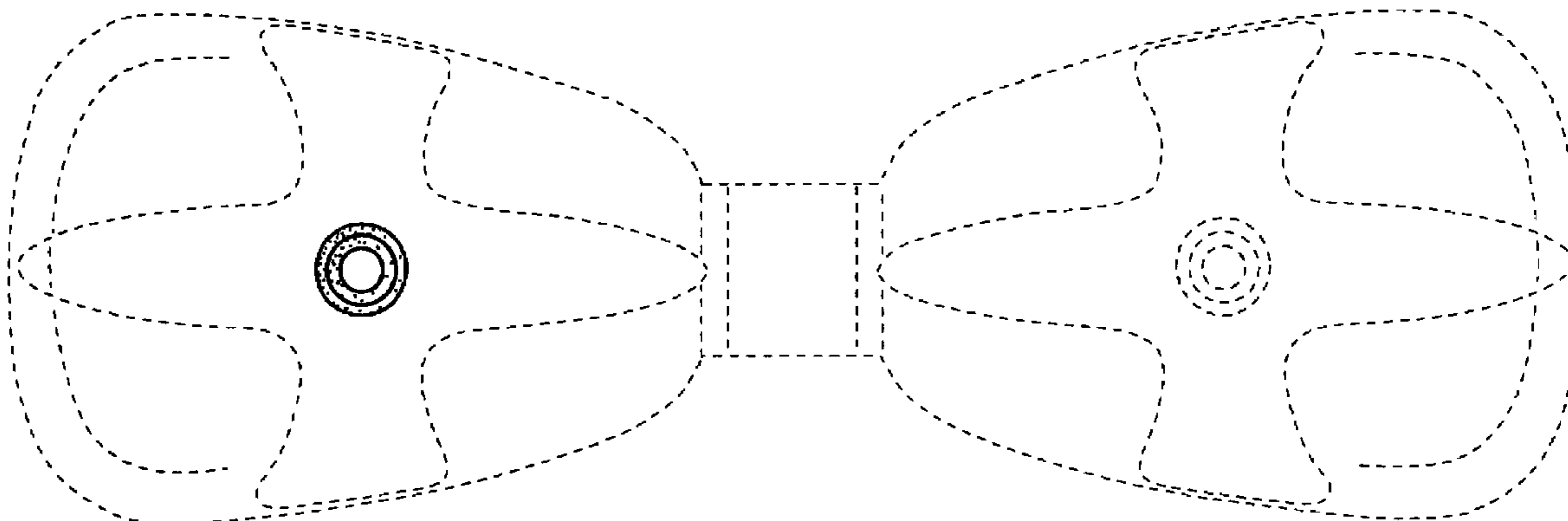
The ornamental appearance for a forehead pad, as shown and described.

DESCRIPTION

FIG. 1 is a rear perspective view of a forehead pad according to an embodiment of our design;
FIG. 2 is a top view thereof;
FIG. 3 is a right side view thereof;
FIG. 4 is a rear view thereof; and,
FIG. 5 is a bottom view of a forehead pad according to an embodiment of our design.

Where included, broken lines showing environment or structure are for illustrative purposes only and form no part of the claimed design.

1 Claim, 5 Drawing Sheets



US D637,284 S

Page 2

U.S. PATENT DOCUMENTS

D468,823 S 1/2003 Smart
6,520,182 B1 2/2003 Gunaratnam
6,532,961 B1 3/2003 Kwok
6,561,190 B1 5/2003 Kwok
6,581,594 B1 6/2003 Drew et al.
6,581,602 B2 6/2003 Kwok et al.
D484,237 S 12/2003 Lang et al.
6,679,261 B2 1/2004 Lithgow et al.
D486,227 S 2/2004 Fu et al.
D493,522 S 7/2004 Fu et al.
6,823,869 B2 11/2004 Raje et al.
6,832,610 B2 12/2004 Gradon et al.
D502,260 S 2/2005 Lang et al.
6,860,269 B2 3/2005 Kwok et al.
D515,204 S 2/2006 Guney et al.
D515,698 S 2/2006 Lang et al.
7,000,614 B2 2/2006 Lang et al.
7,216,647 B2 5/2007 Lang et al.
D545,960 S 7/2007 Fu et al.
D567,935 S 4/2008 Fu et al.
2003/0062048 A1 4/2003 Gradon et al.

2003/0075182 A1 4/2003 Heidmann et al.
2003/0089373 A1 5/2003 Gradon et al.
2004/0045550 A1 3/2004 Lang et al.
2004/0094157 A1 5/2004 Dantanarayana et al.
2004/0112387 A1 6/2004 Lang et al.
2004/0118406 A1 6/2004 Lithgow et al.
2004/0255949 A1 12/2004 Lang et al.
2005/0011521 A1 1/2005 Sprinkle et al.
2005/0011522 A1 1/2005 Ho et al.

FOREIGN PATENT DOCUMENTS

DE 10045183 5/2002
WO WO 99/58181 11/1999
WO WO 01/97892 12/2001

OTHER PUBLICATIONS

Lang et al., U.S. Appl. No. 29/239,063, filed Sep. 27, 2005.
Fu et al., Parent U.S. Appl. No. 29/290,341, filed Nov. 21, 2007.
Instruction Manual for Papillon Mask, © Map Medizin-Technologie GmbH, Mar. 2002, 4 pages.

* cited by examiner

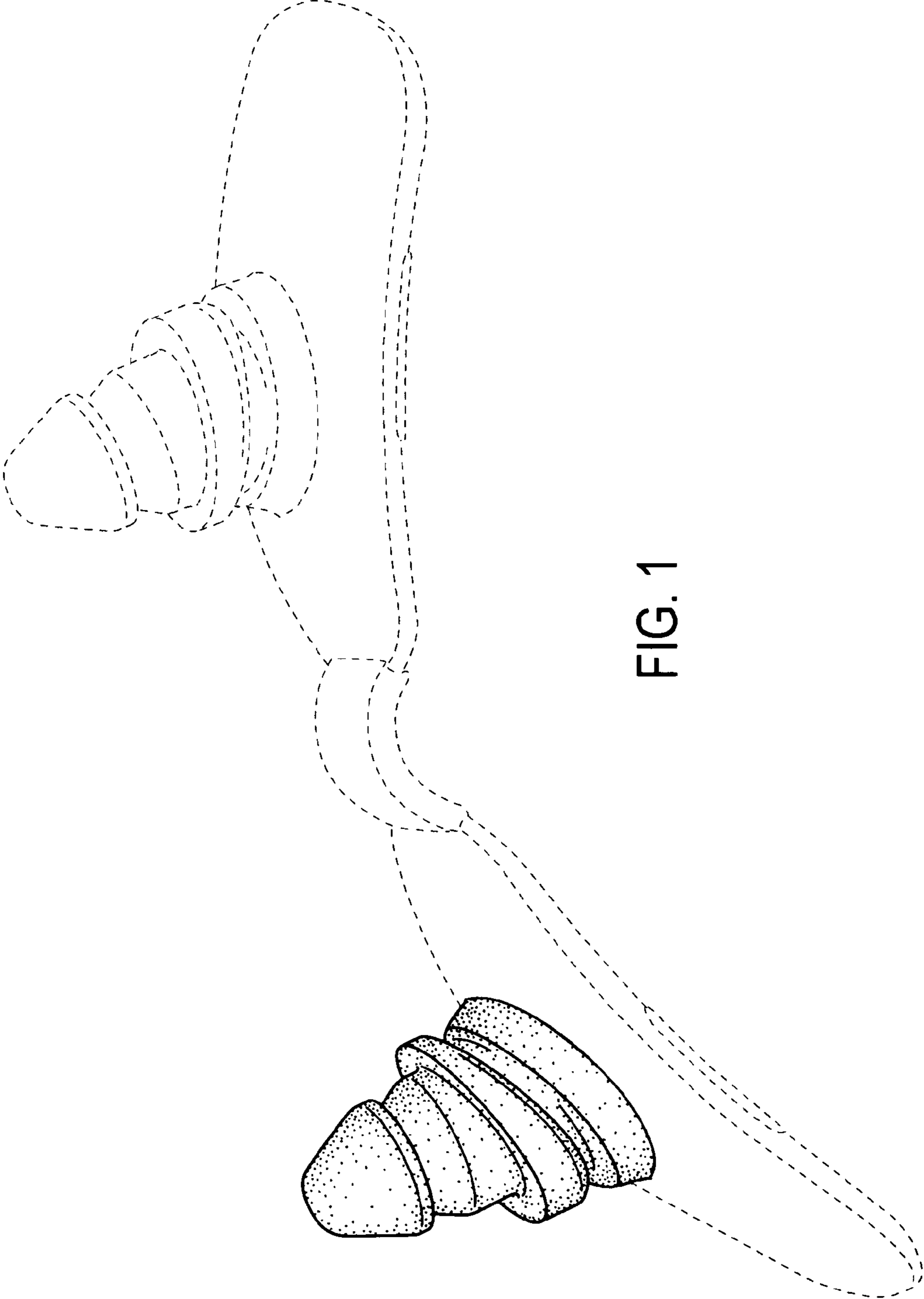


FIG. 1

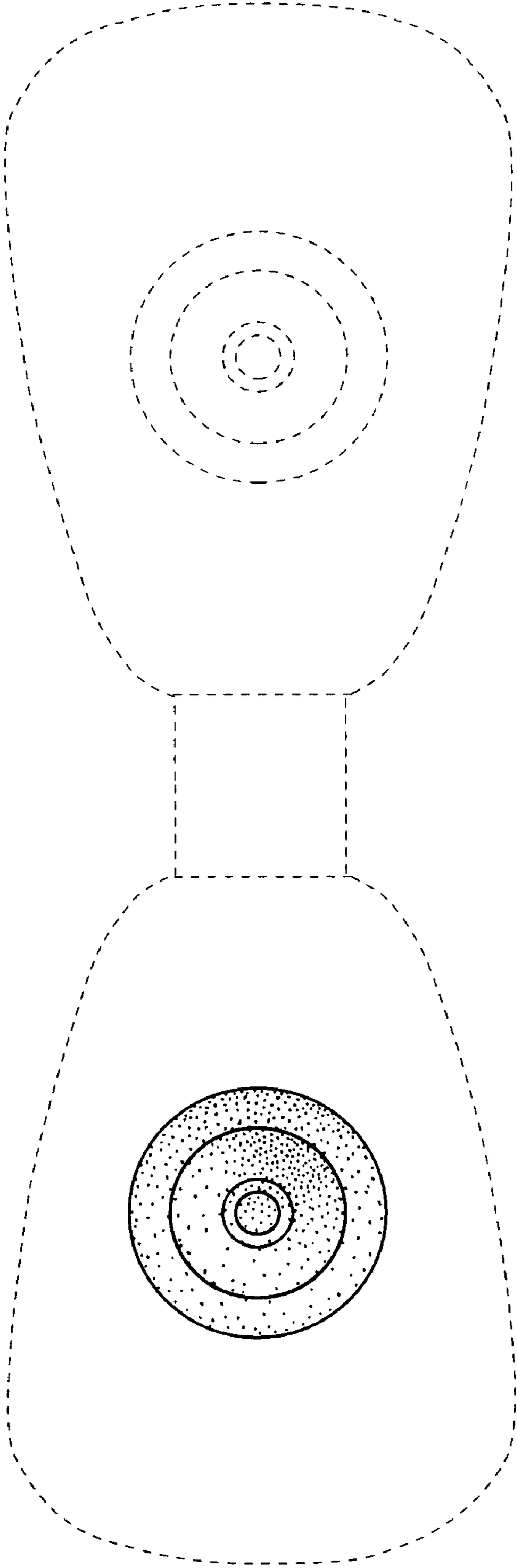


FIG. 2

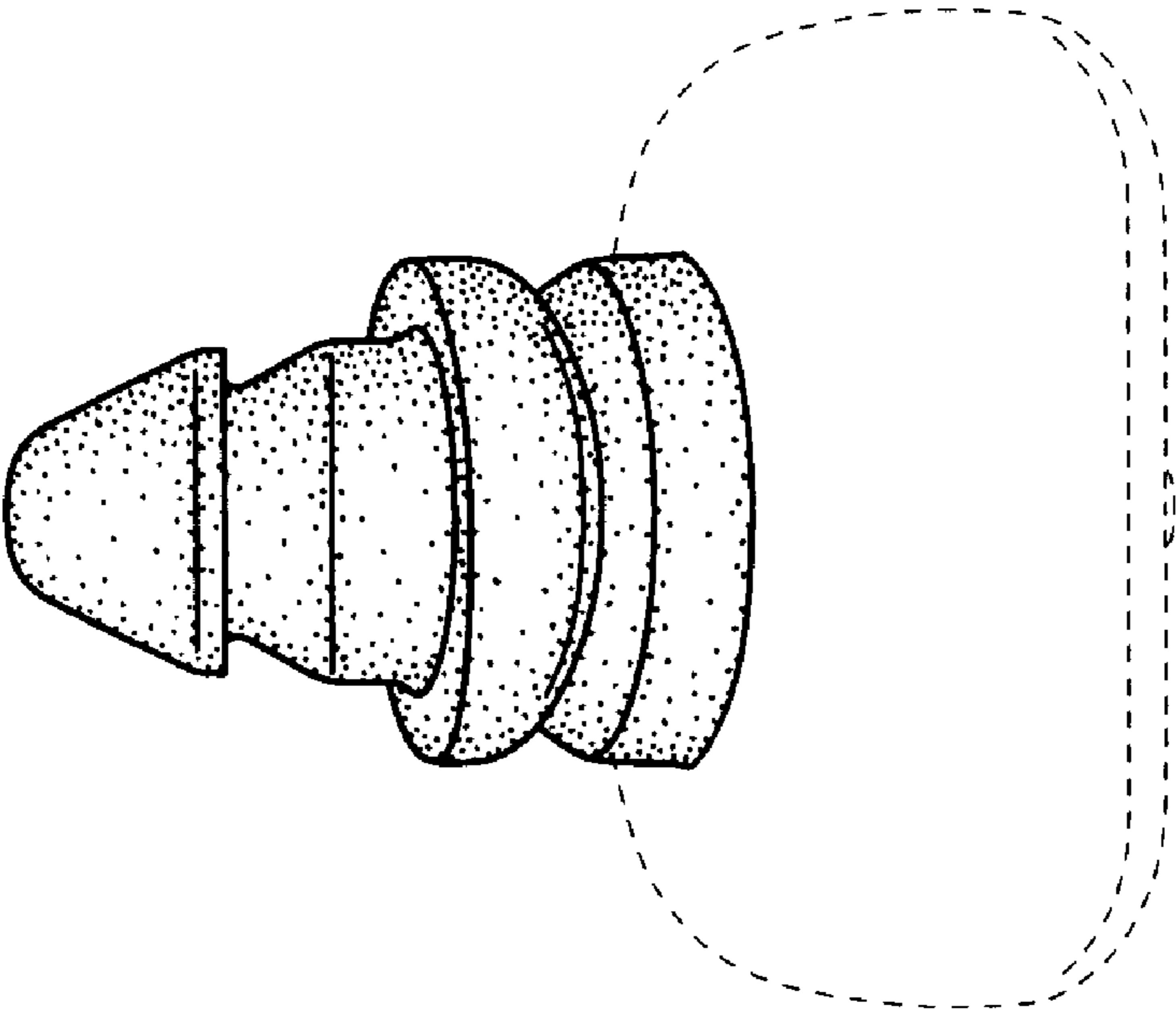


FIG. 3

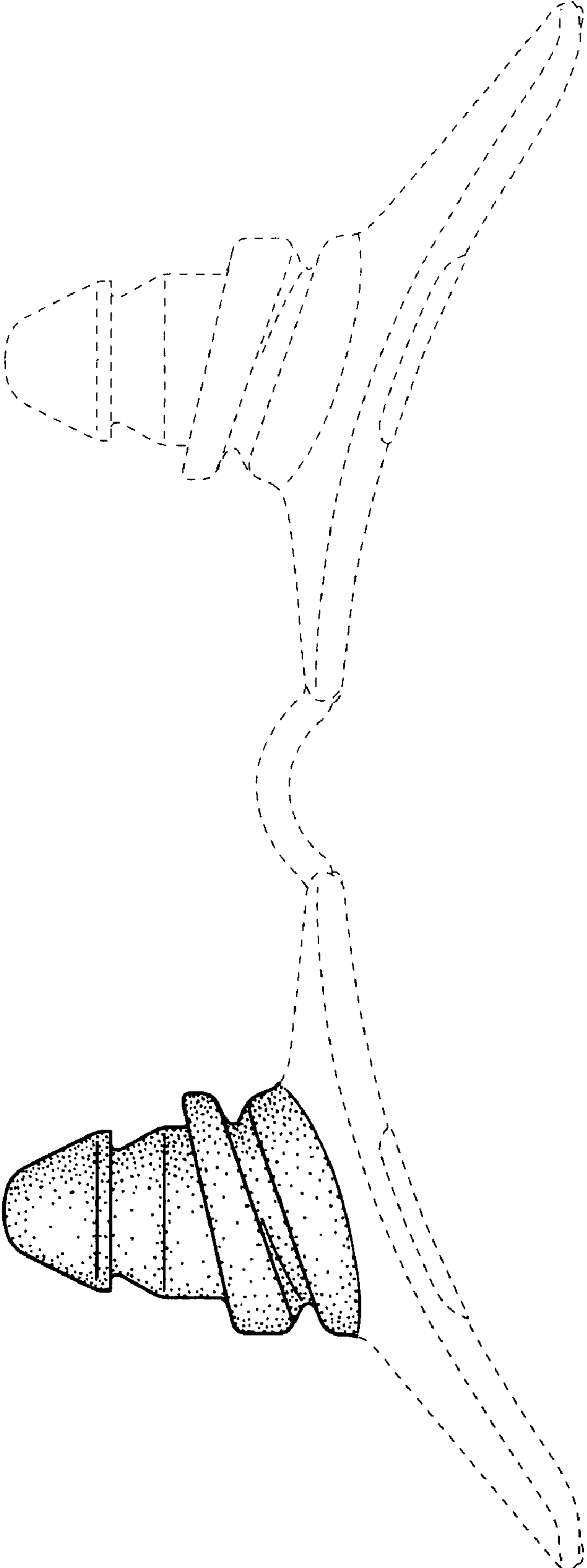


FIG. 4

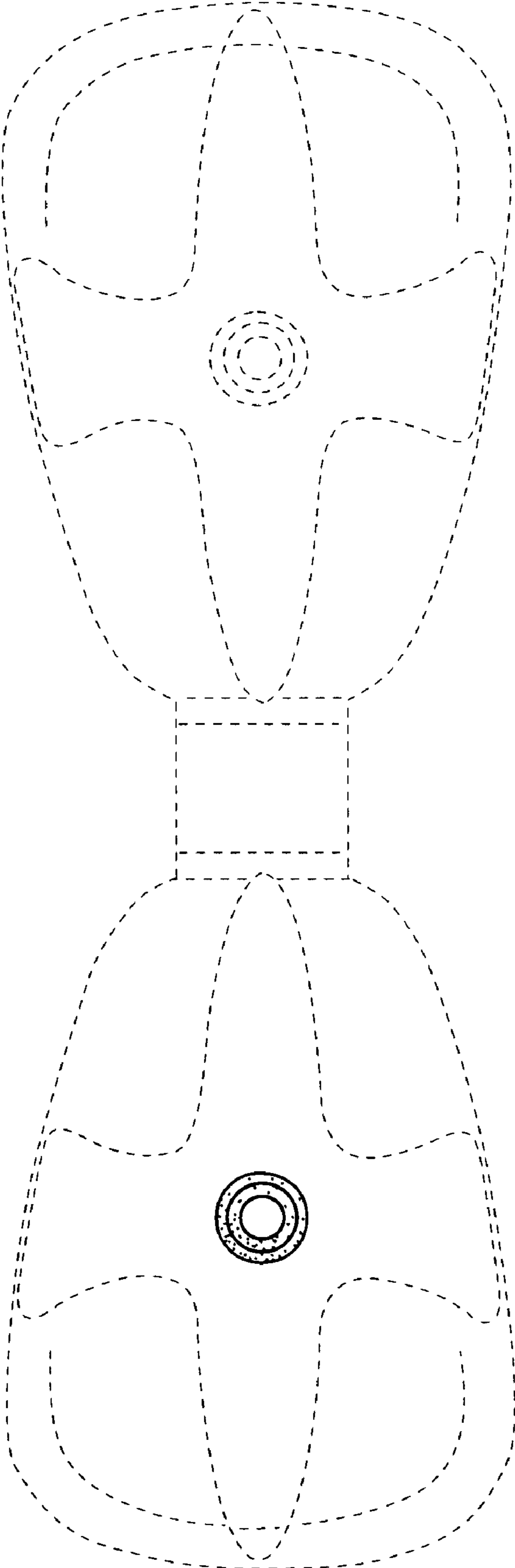


FIG. 5