

US00D637283S

(12) **United States Design Patent**
Selvarajan et al.

(10) **Patent No.:** **US D637,283 S**

(45) **Date of Patent:** **** May 3, 2011**

(54) **ELBOW ASSEMBLY FOR PATIENT INTERFACE**

(75) Inventors: **Karthikeyan Selvarajan**, Gosford (AU);
Christopher Scott Skipper, North Ryde (AU);
Joshua Adam Gudiksen, Picton (AU);
Steven John Lubke, Stanmore (AU);
Alison Oldenburg, Crows Nest (AU)

(73) Assignee: **ResMed Limited**, Bella Vista (AU)

(**) Term: **14 Years**

(21) Appl. No.: **29/261,579**

(22) Filed: **Jun. 16, 2006**

(51) **LOC (9) Cl.** **29-02**

(52) **U.S. Cl.** **D24/110.1; D24/110.5; D24/129**

(58) **Field of Classification Search** **D24/110.1, D24/110.2, 110.3, 110.4, 110.5; 128/207.13, 128/206.21, 205.25, 206.15, 205.24, 201.22, 128/202.27, 204.18**

See application file for complete search history.

(56) **References Cited**

U.S. PATENT DOCUMENTS

6,467,483	B1	10/2002	Kopacko	
D486,226	S *	2/2004	Guney et al.	D24/110.1
6,691,707	B1	2/2004	Gunaratnam	
D496,098	S	9/2004	Guney	
6,851,425	B2	2/2005	Jaffre	
D506,827	S *	6/2005	Jones et al.	D24/110.1
6,907,882	B2	6/2005	Ging	

D540,464	S *	4/2007	Guney et al.	D24/110.6
D540,941	S *	4/2007	Kwok et al.	D24/110.1
D556,897	S *	12/2007	Guney et al.	D24/110.1
D557,408	S *	12/2007	Amarasinghe et al. ...	D24/110.1
D558,333	S *	12/2007	Hitchcock et al.	D24/110.1
2004/0221850	A1 *	11/2004	Ging et al.	128/206.27
2006/0266365	A1 *	11/2006	Stallard	128/207.13

FOREIGN PATENT DOCUMENTS

WO WO 2005/051468 6/2005

* cited by examiner

Primary Examiner — Ian Simmons

Assistant Examiner — Christopher Lee

(74) *Attorney, Agent, or Firm* — Nixon & Vanderhye P.C.

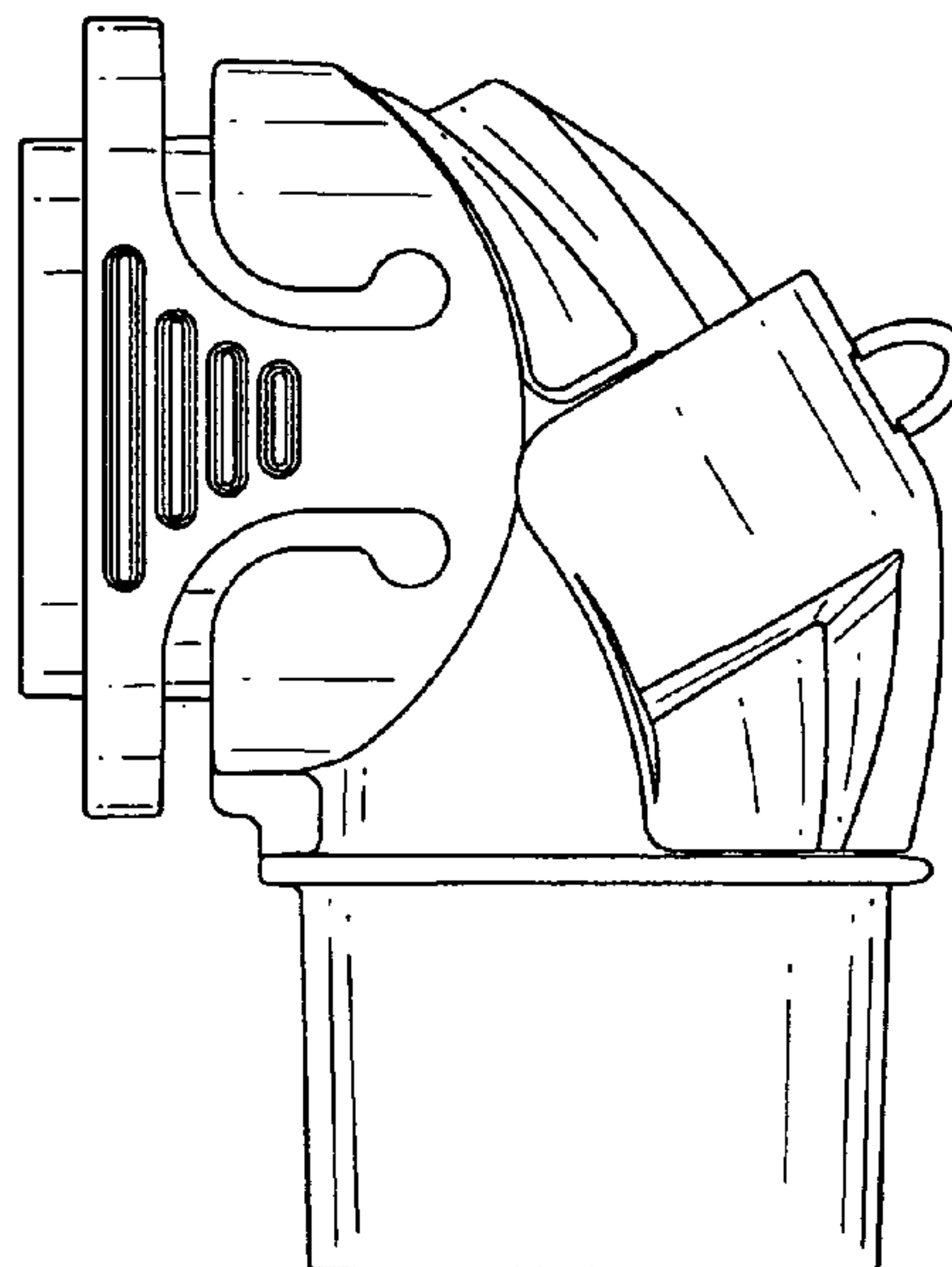
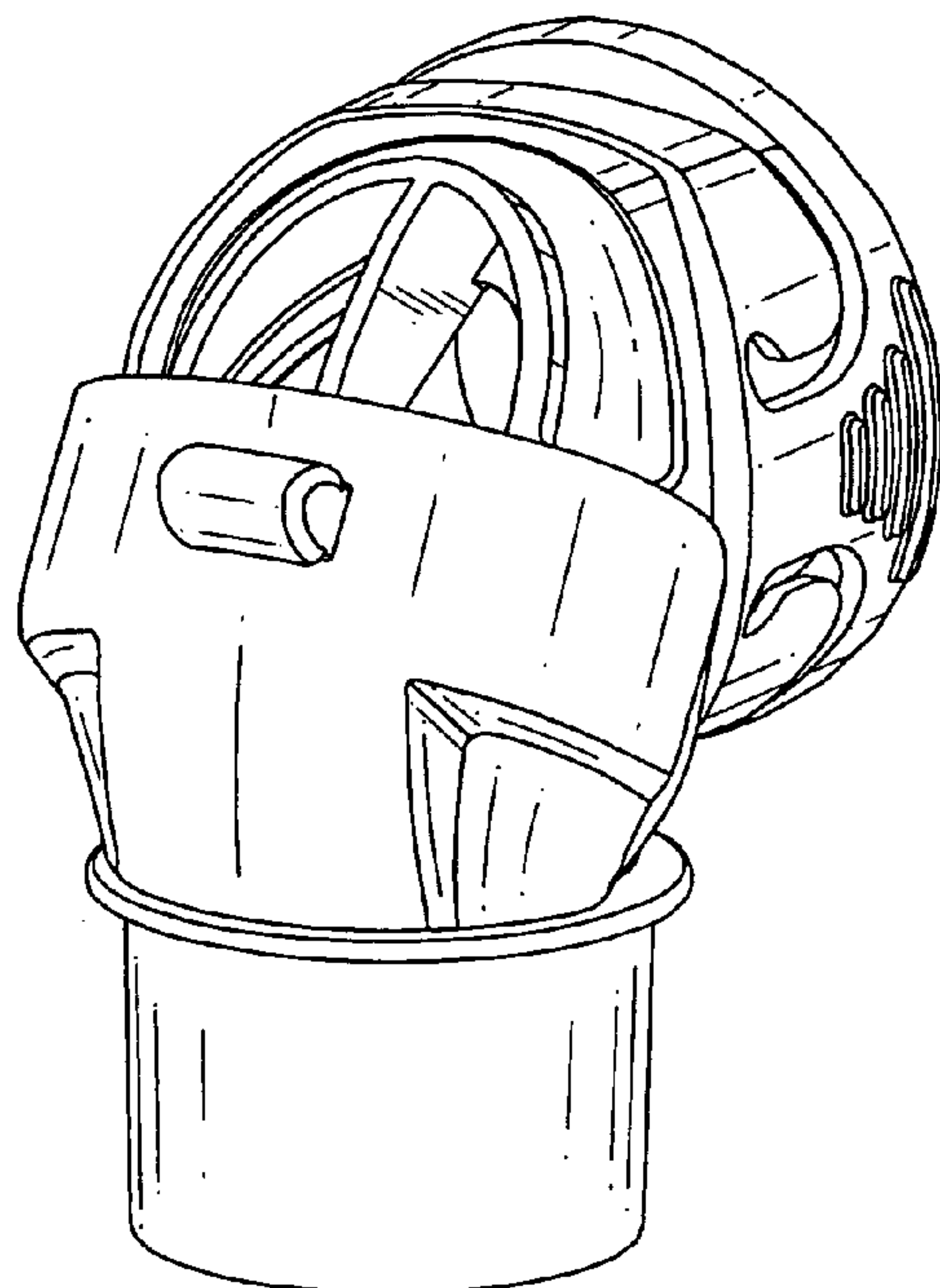
(57) **CLAIM**

The ornamental design for an elbow assembly for a patient interface, as shown.

DESCRIPTION

FIG. 1 is a front perspective view of an elbow assembly for a patient interface according to our new ornamental design; FIG. 2 is a reverse perspective view thereof; FIG. 3 is a front view thereof; FIG. 4 is a rear view thereof; FIG. 5 is a top view thereof; FIG. 6 is a bottom view thereof; and, FIG. 7 is a left side view thereof with the right side view being a mirror image thereof.

1 Claim, 3 Drawing Sheets



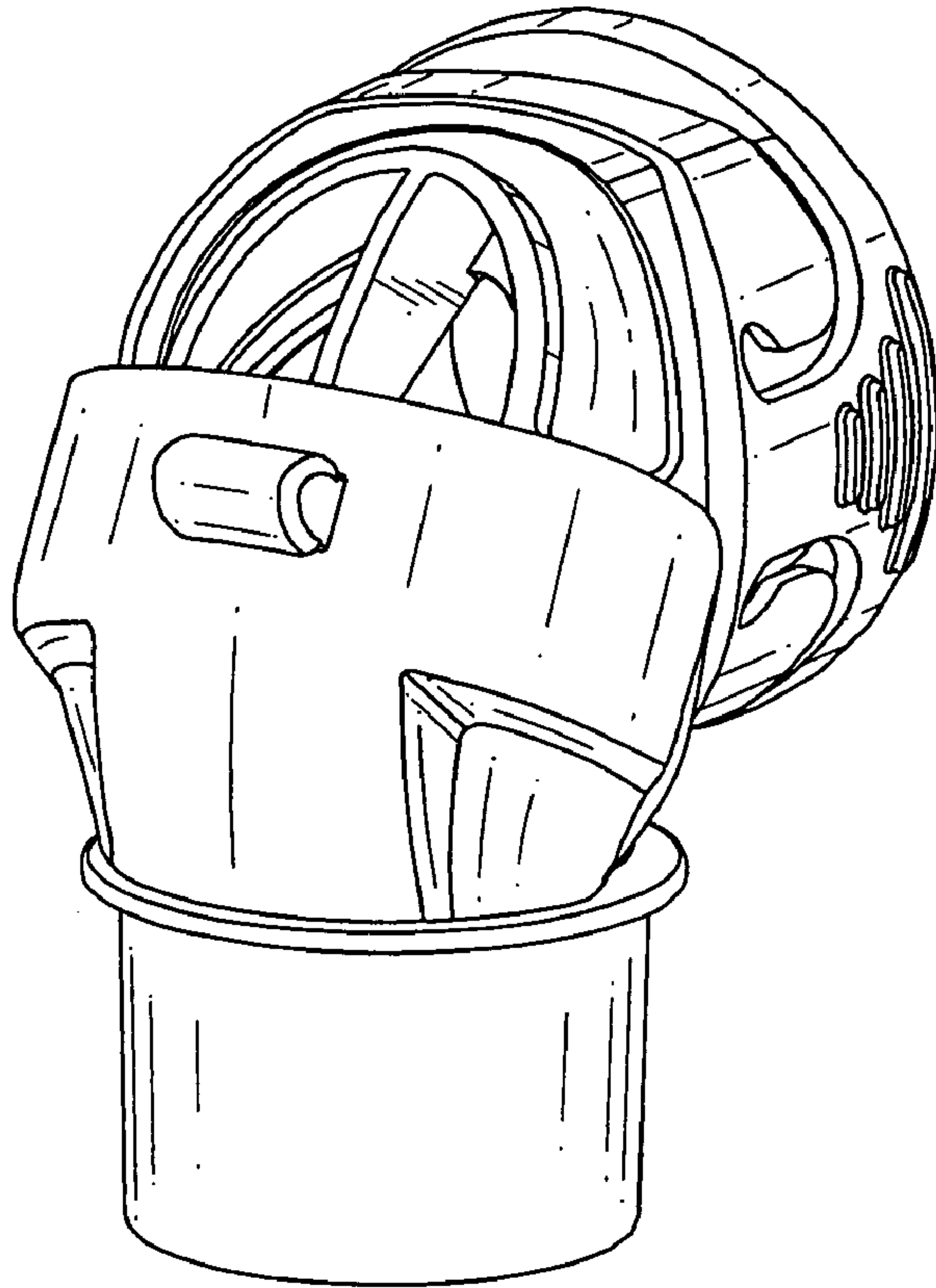


FIG. 1

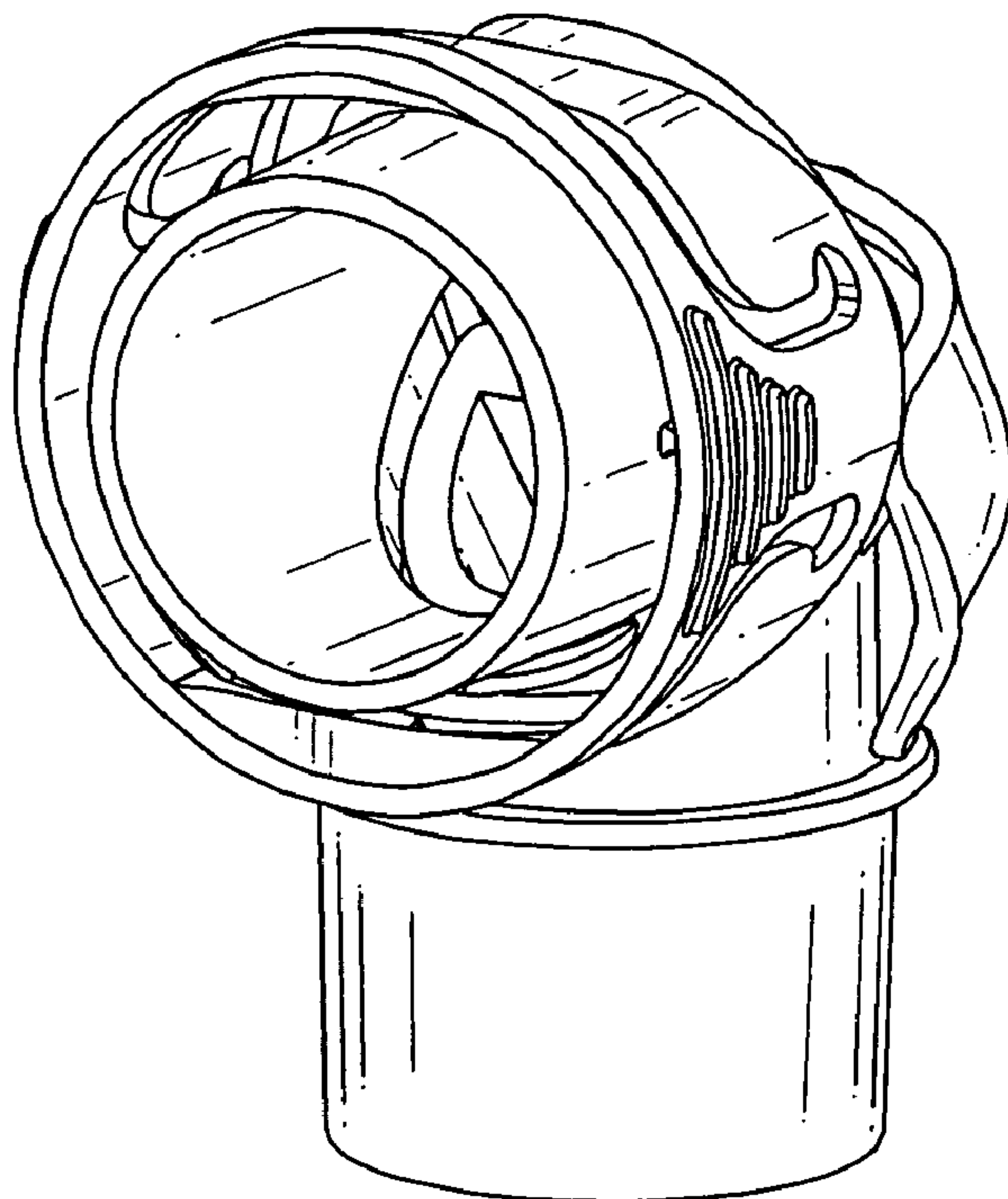


FIG. 2

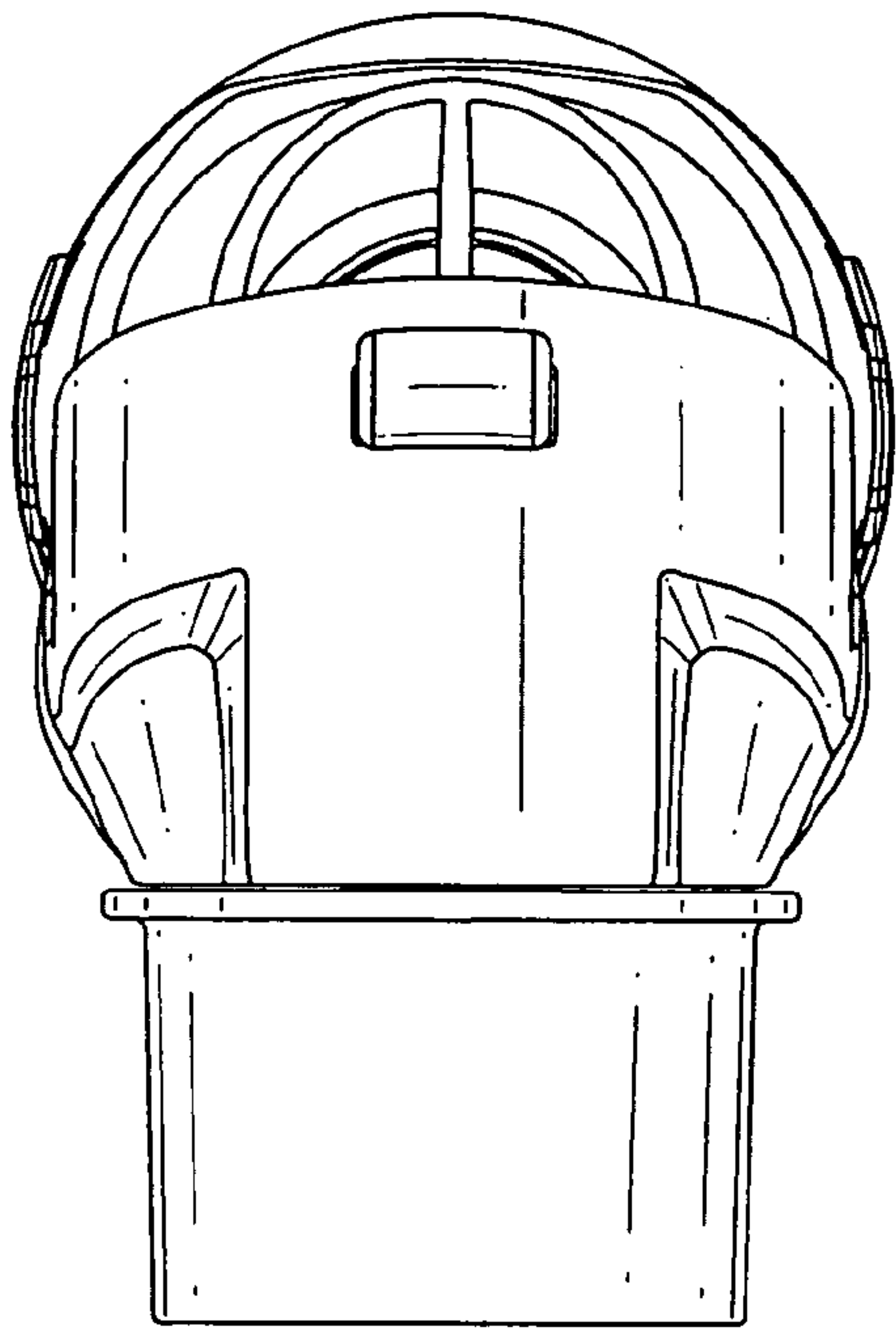


FIG. 3

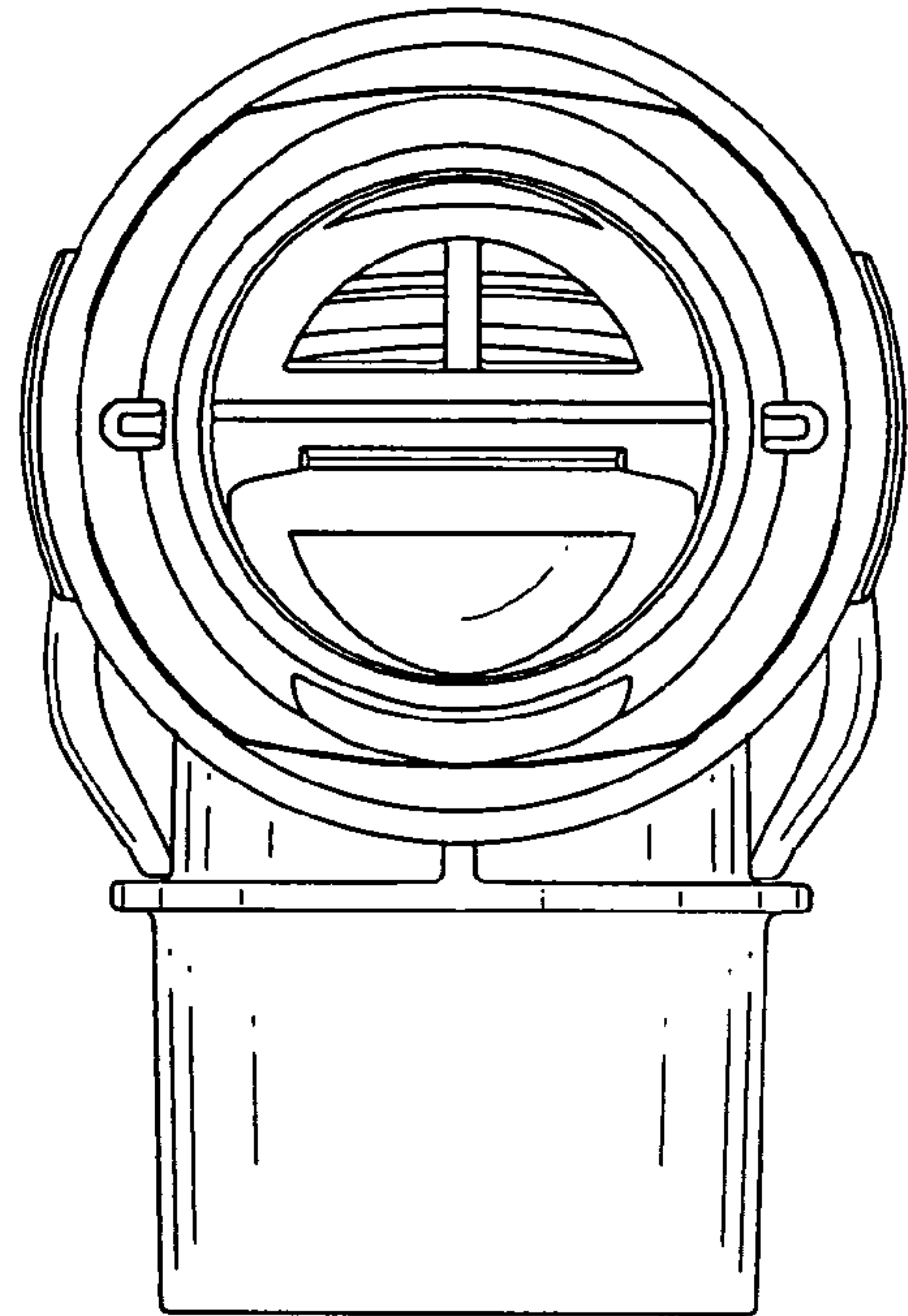


FIG. 4

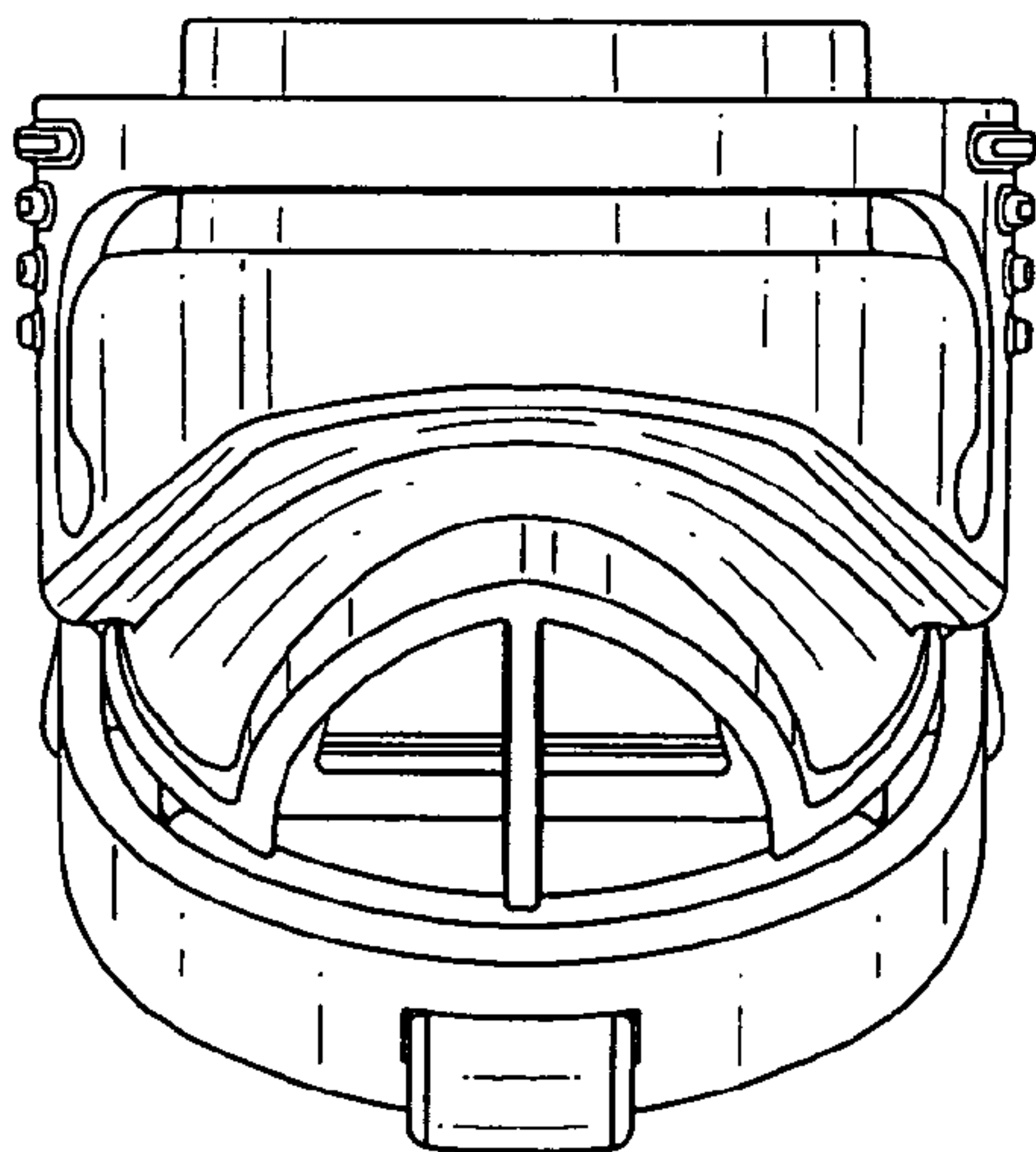


FIG. 5

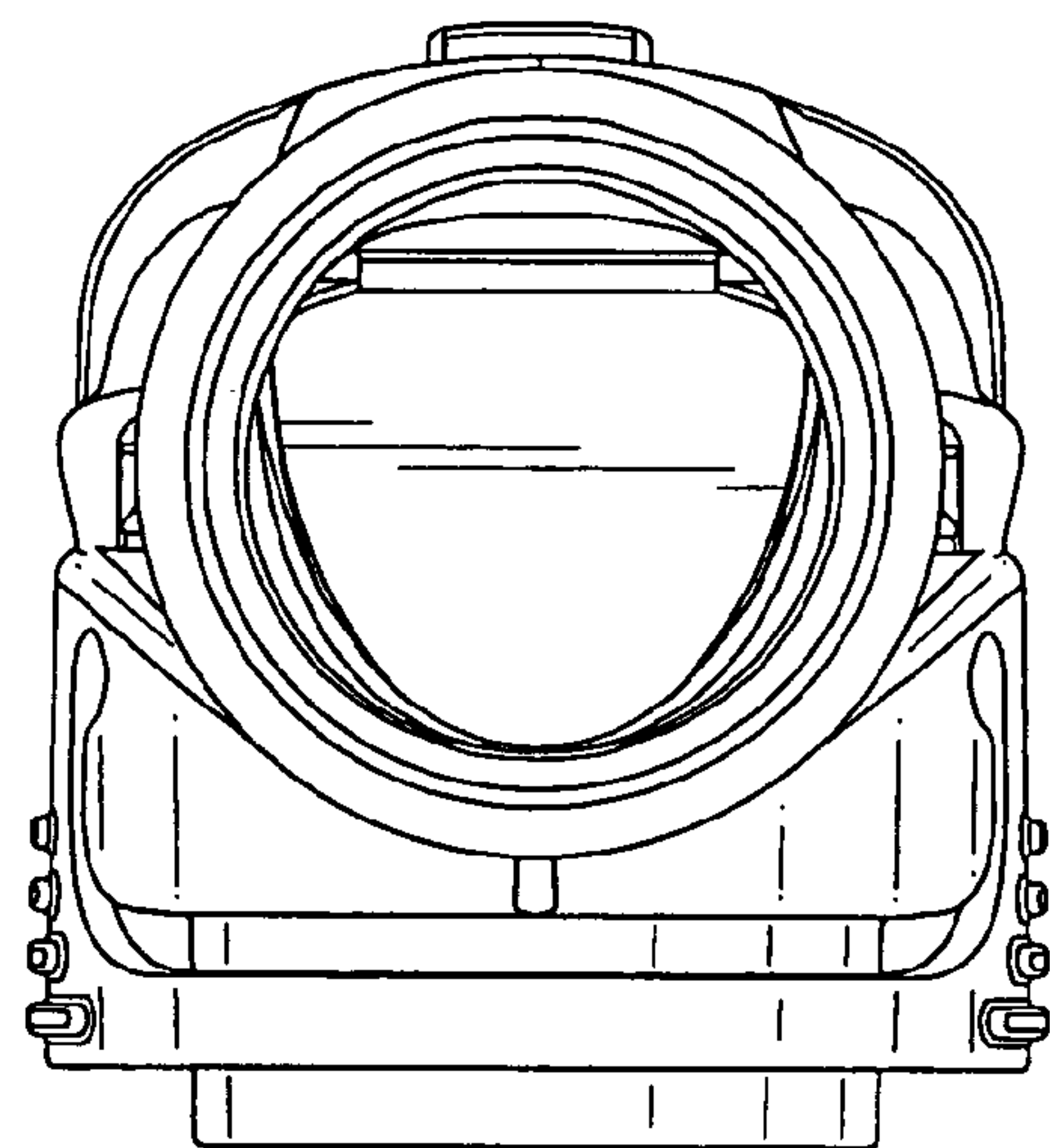


FIG. 6

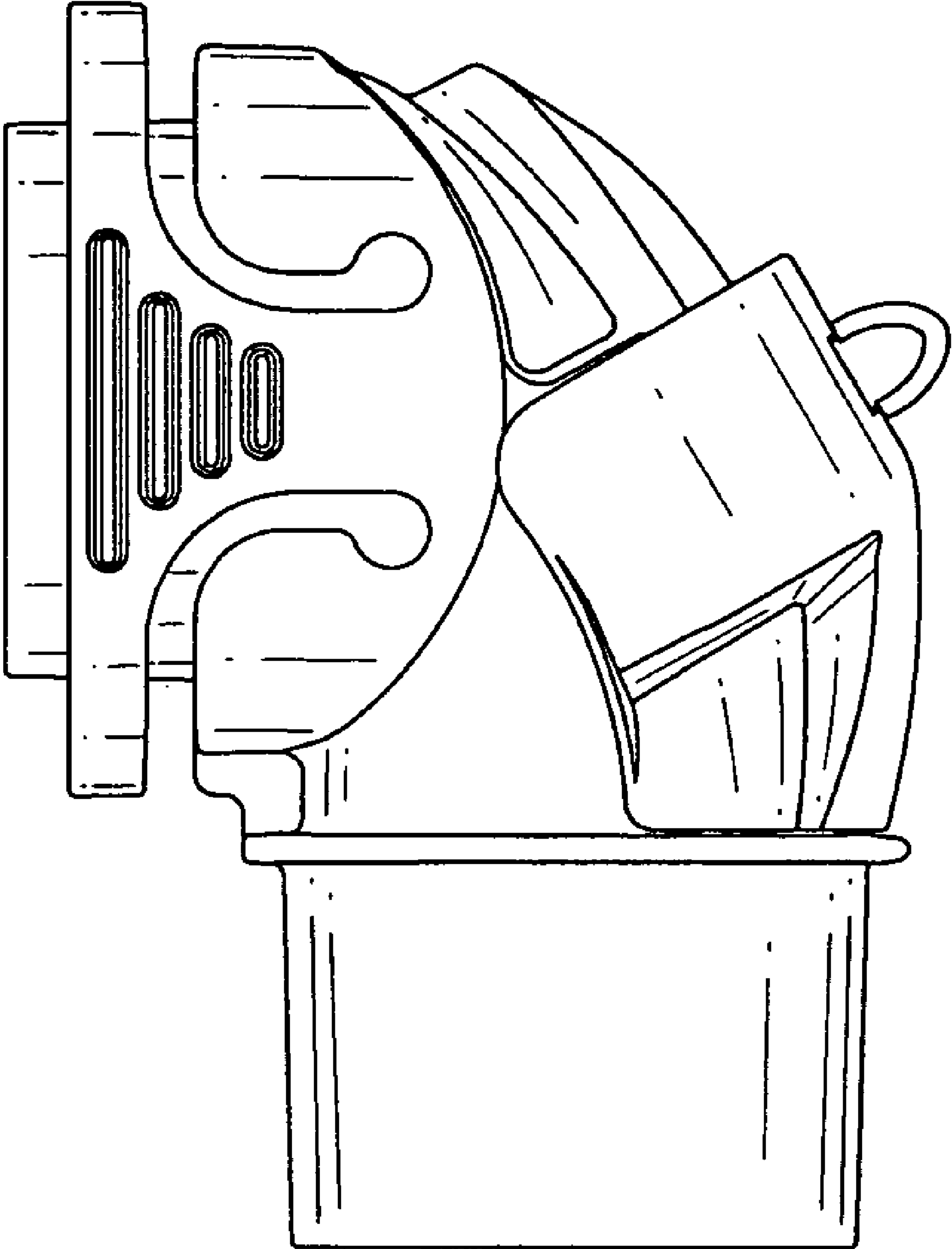


FIG. 7