



US00D637278S

(12) **United States Design Patent**
Lau et al.

(10) **Patent No.:** **US D637,278 S**

(45) **Date of Patent:** **** May 3, 2011**

(54) **CURVED BURNER FIREPLACE**

(75) Inventors: **George Lau**, Vancouver (CA); **Andrew Mah**, Vancouver (CA)

(73) Assignee: **FPI Fireplace Products International, Ltd.**, British Columbia (CA)

(**) Term: **14 Years**

(21) Appl. No.: **29/363,732**

(22) Filed: **Jun. 14, 2010**

Related U.S. Application Data

(63) Continuation of application No. 29/303,895, filed on Feb. 20, 2008, now Pat. No. Des. 620,098.

(51) **LOC (9) Cl.** **23-03**

(52) **U.S. Cl.** **D23/403**

(58) **Field of Classification Search** D23/331, D23/335-341, 343, 344, 346, 350, 386, 387, D23/390, 391, 393, 396-410, 415-421, 499; D7/402, 407, 408; 126/12, 13.29, 44, 58, 126/92 AC, 144, 152 R, 215, 218, 219, 242, 126/243, 245, 500, 501, 509, 510, 544, 546, 126/548; 428/15, 21, 102; 431/125, 258, 431/268, 298, 302

See application file for complete search history.

(56) **References Cited**

U.S. PATENT DOCUMENTS

3,394,697	A *	7/1968	Lewis	126/502
3,747,585	A *	7/1973	Coats	126/92 R
4,191,161	A *	3/1980	Kling	126/508
4,194,490	A *	3/1980	Crnkovic	126/553
4,838,781	A *	6/1989	Fischer	431/125

5,392,763	A *	2/1995	Shaw et al.	126/512
5,664,556	A *	9/1997	Byers	126/553
6,095,794	A *	8/2000	Jamieson et al.	431/125
6,269,809	B1 *	8/2001	Fleming	126/512
6,880,275	B2 *	4/2005	Mix et al.	40/428
2010/0095952	A1 *	4/2010	Husted et al.	126/500
2010/0229849	A1 *	9/2010	Asofsky et al.	126/500
2010/0307477	A1 *	12/2010	Gallo et al.	126/500

* cited by examiner

Primary Examiner — T. Chase Nelson

Assistant Examiner — Karen Acker

(74) *Attorney, Agent, or Firm* — Snell & Wilmer LLP

(57) **CLAIM**

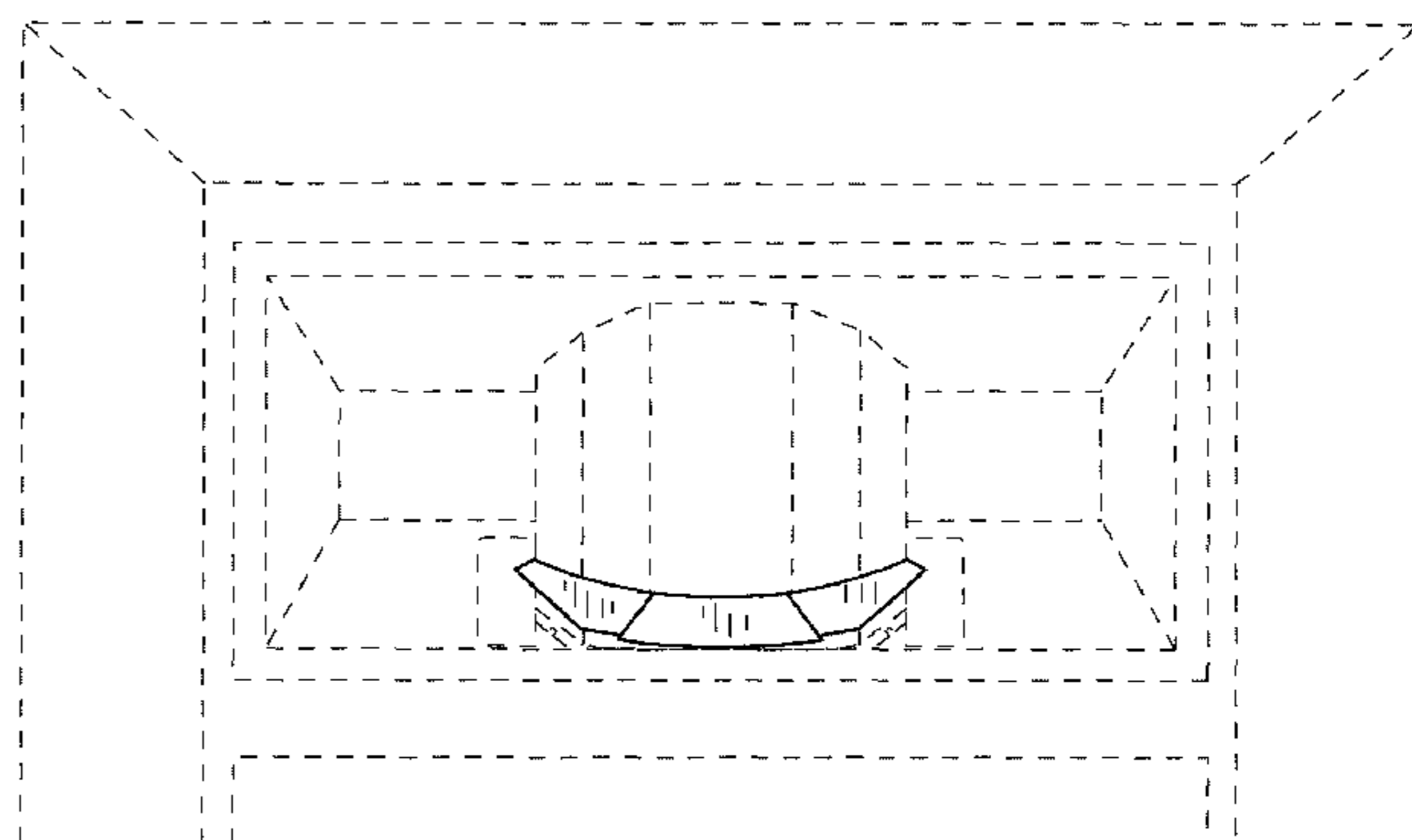
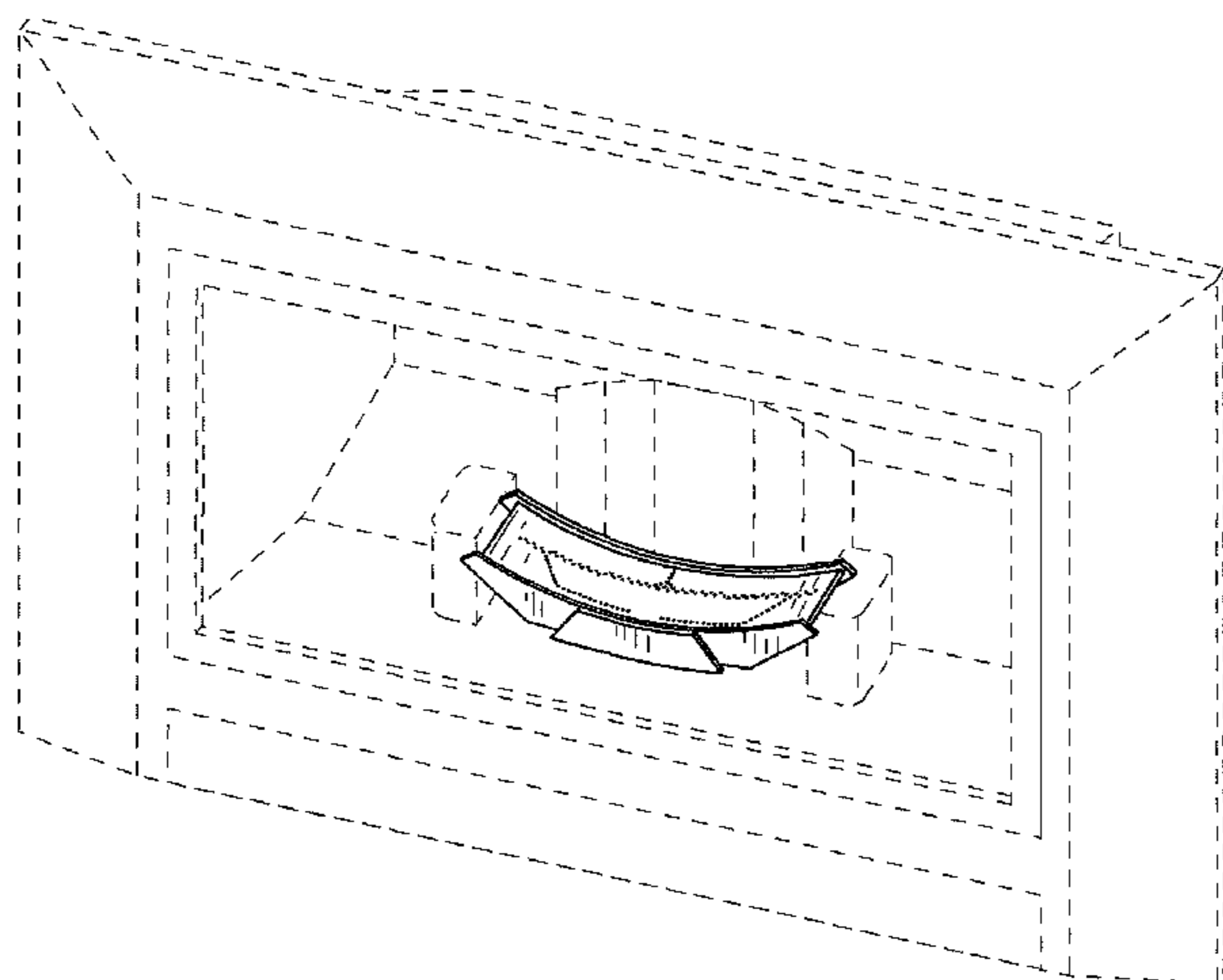
The ornamental design for a curved burner fireplace, as shown and described.

DESCRIPTION

FIG. 1 is a perspective view of second embodiment of a new design of the curved burner fireplace;
 FIG. 2 is front view of a new design of the curved burner fireplace of FIG. 1;
 FIG. 3 is a back view of a new design of the curved burner fireplace of FIG. 1;
 FIG. 4 is a tight side view of the new design of the curved burner fireplace of FIG. 1;
 FIG. 5 is a left side view of the new design of the curved burner fireplace of FIG. 1;
 FIG. 6 is a top view of the new design of the curved burner fireplace of FIG. 1; and,
 FIG. 7 is a bottom view of the new design of the curved burner fireplace of FIG. 1.

The broken lines in the drawings represent unclaimed environmental subject matter.

1 Claim, 4 Drawing Sheets



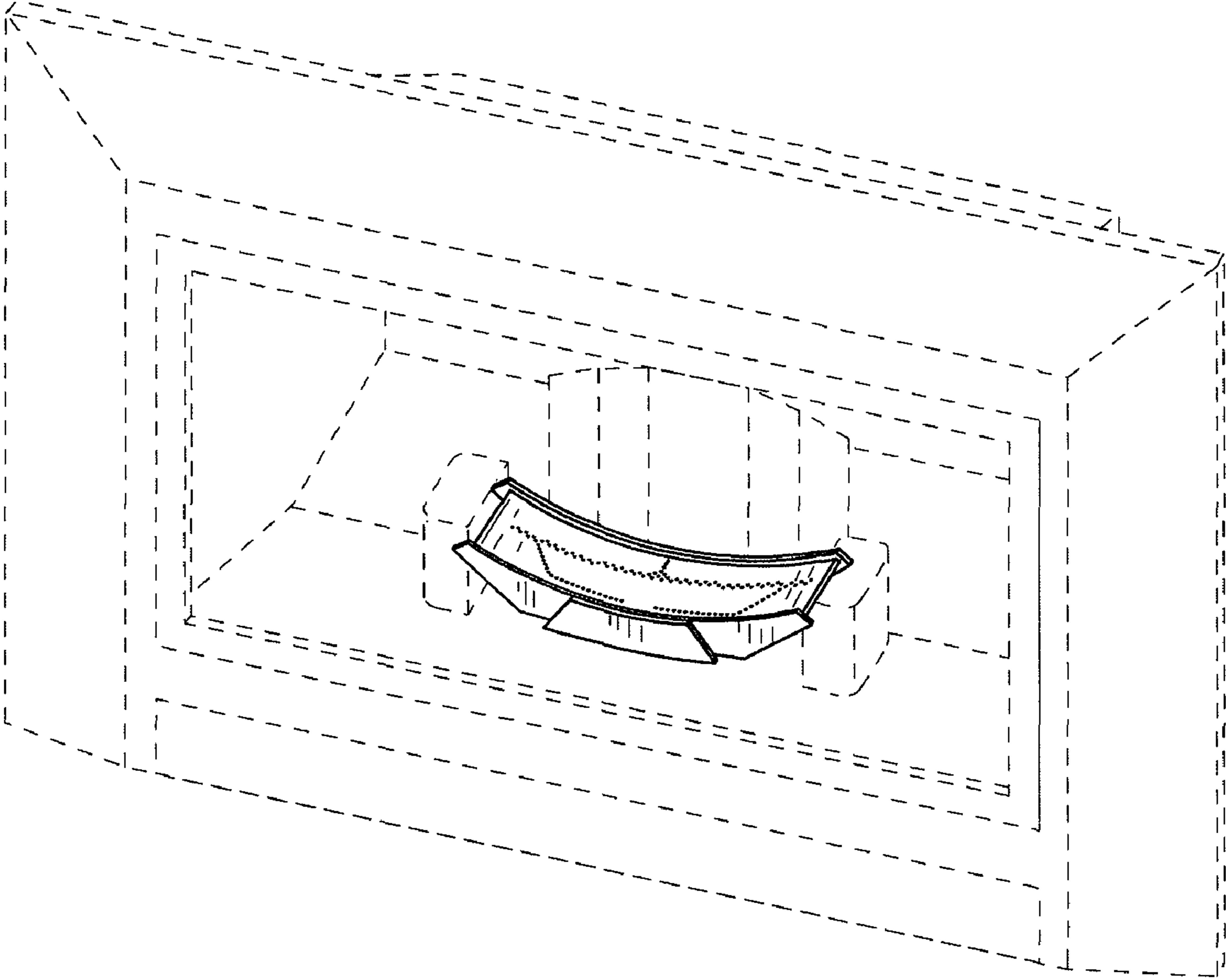


FIG.1

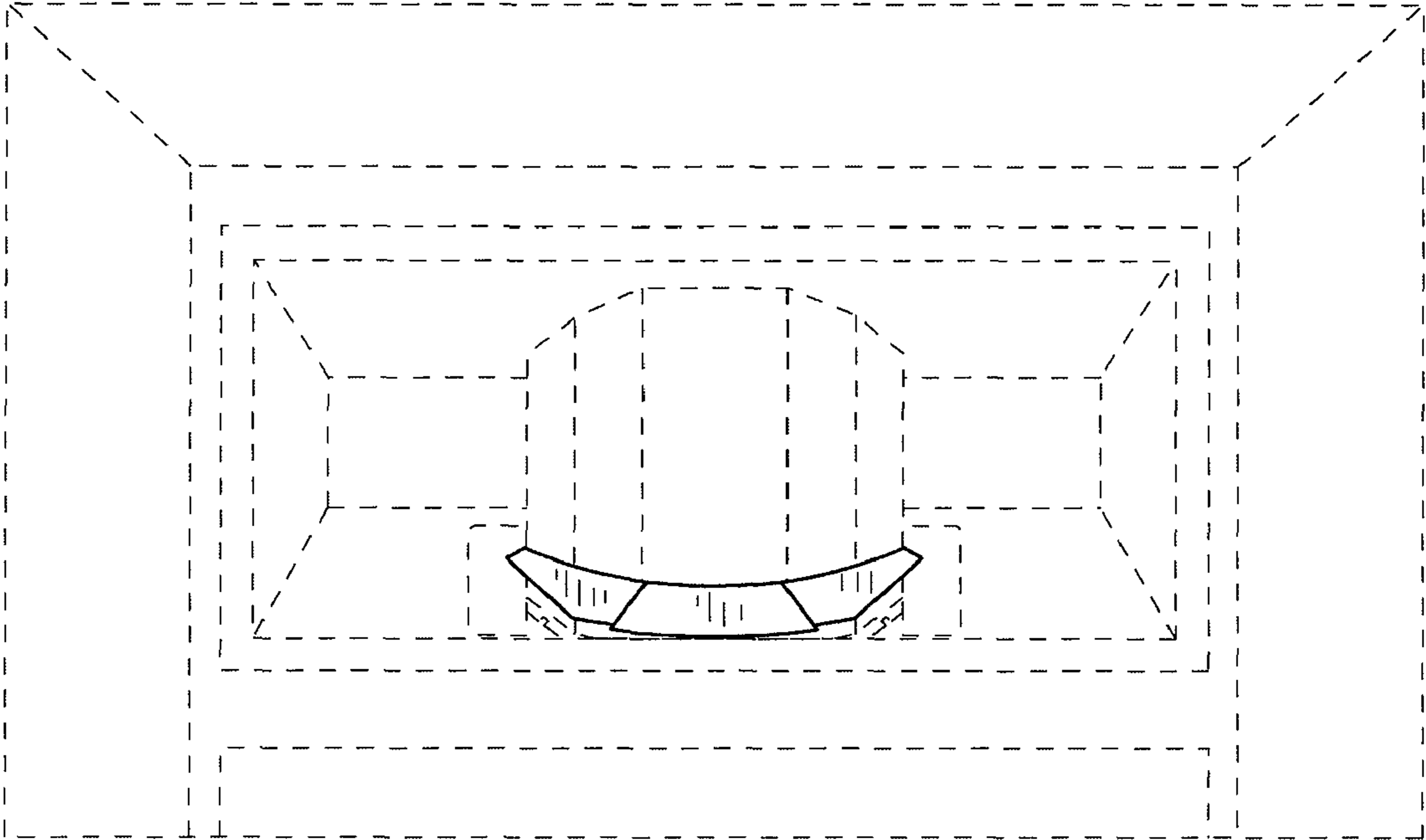


FIG. 2

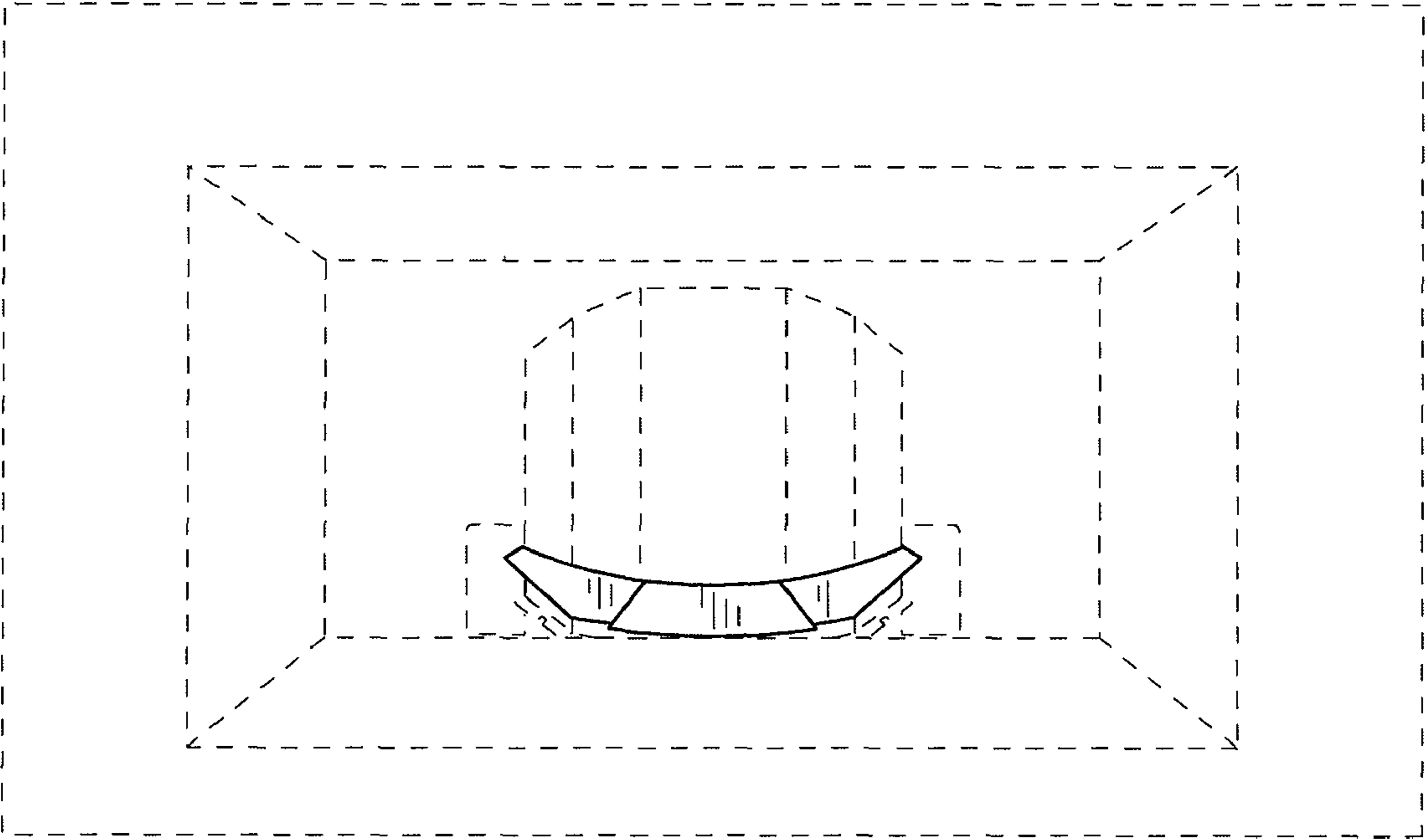


FIG. 3

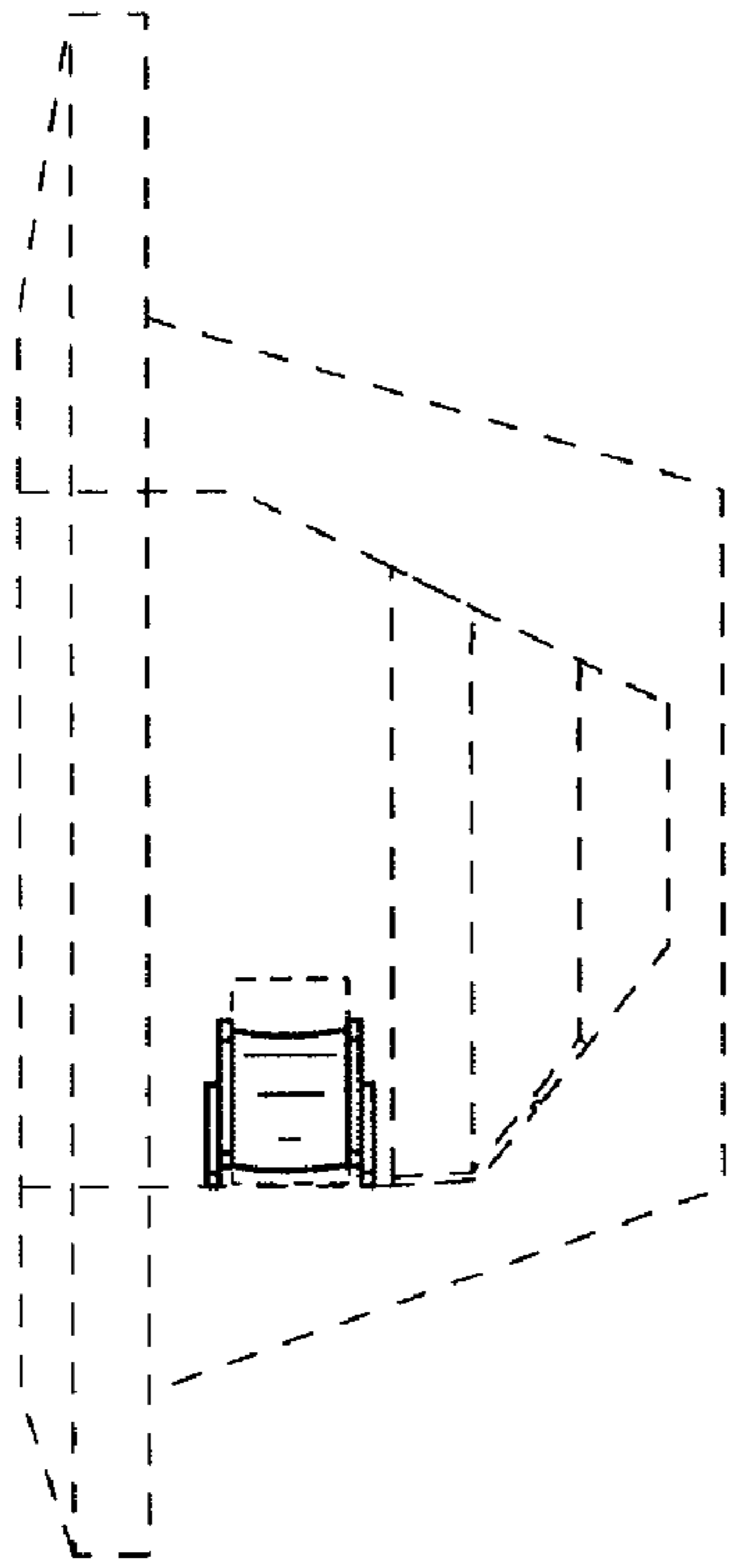


FIG. 4

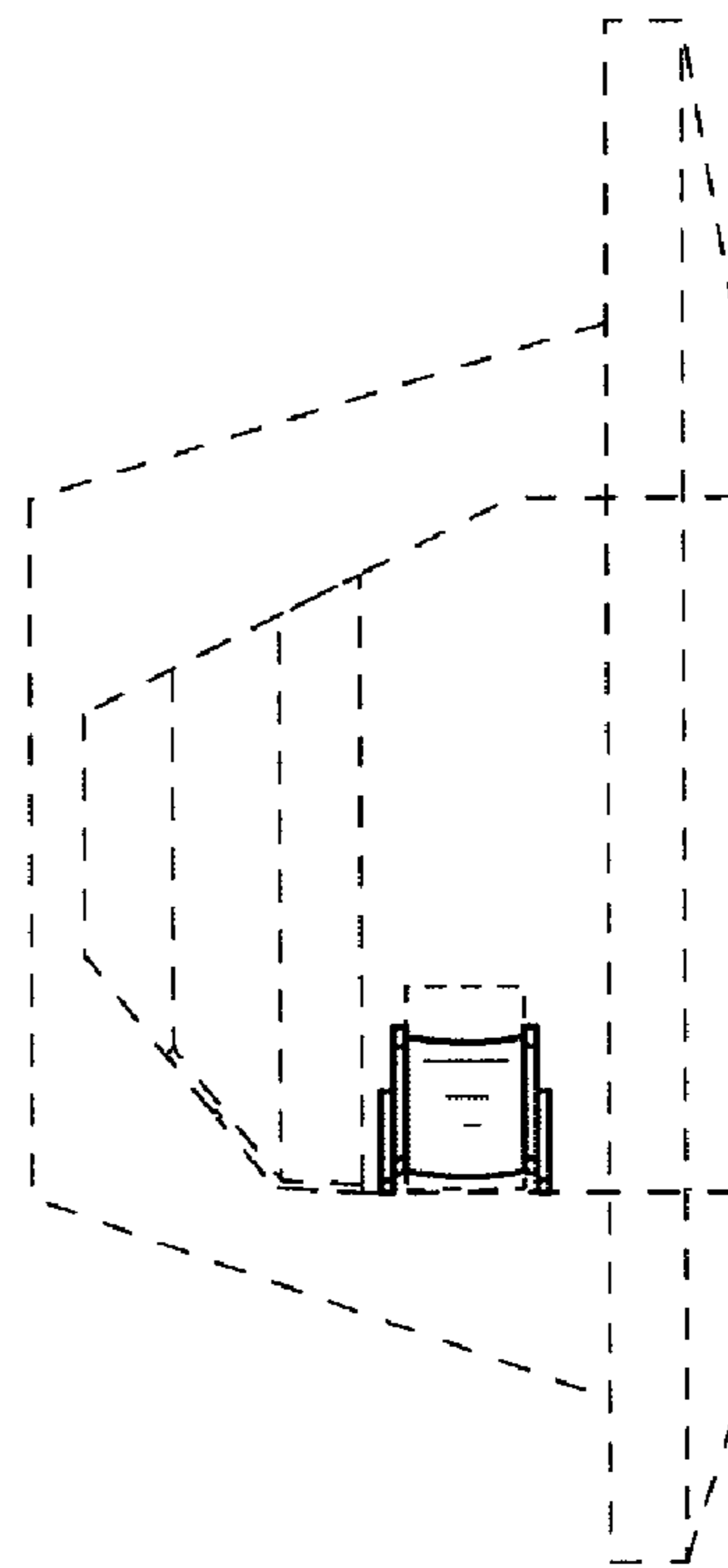


FIG. 5

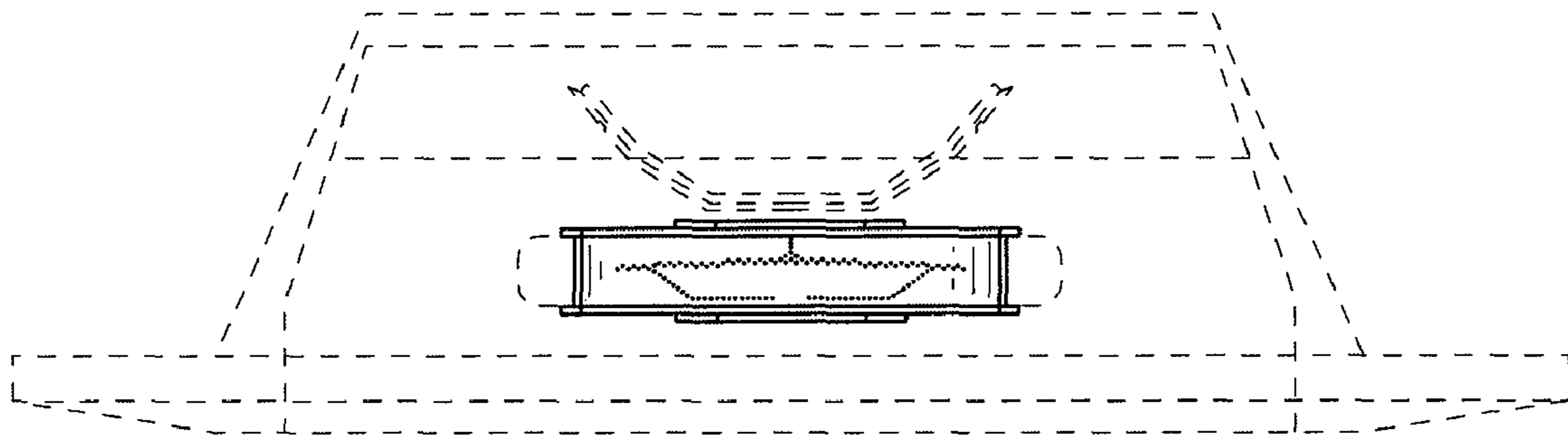


FIG. 6

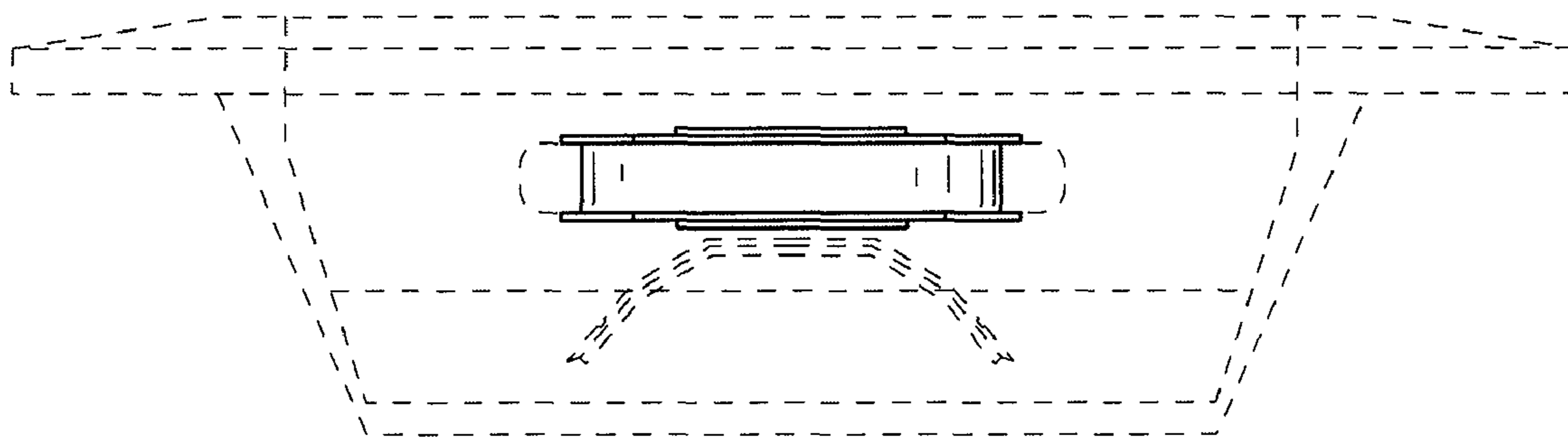


FIG. 7