



US00D637277S

(12) **United States Design Patent**
Waters

(10) **Patent No.:** **US D637,277 S**

(45) **Date of Patent:** **** May 3, 2011**

(54) **CARBON DIOXIDE TRANSFER CONNECTION HOLDER**

(75) Inventor: **James William Waters**, Loganville, GA (US)

(73) Assignee: **Carbo-Tech Incorporated**, Monroe, GA (US)

(**) Term: **14 Years**

(21) Appl. No.: **29/349,831**

(22) Filed: **May 7, 2010**

(51) **LOC (9) Cl.** **23-04**

(52) **U.S. Cl.** **D23/386**

(58) **Field of Classification Search** D23/385-395, D23/397, 370-373, 365, 351, 354, 399-403, D23/355, 366; 454/309, 275-277, 284, 287-291, 454/358-363; D8/331, 333, 334; 70/20, 70/21; 422/306

See application file for complete search history.

(56) **References Cited**

U.S. PATENT DOCUMENTS

2,301,611	A *	11/1942	Brociner	70/20
D377,682	S *	1/1997	Schlosser et al.	D23/386
D392,730	S *	3/1998	Kozora	D23/355
D398,049	S *	9/1998	Willis	D23/393
6,093,374	A *	7/2000	Bukowsky	422/306
D501,920	S *	2/2005	Taylor	D23/366

D550,062	S *	9/2007	Smaldone	D8/334
D553,948	S *	10/2007	Beed	D8/333
D582,753	S *	12/2008	Basche et al.	D8/334
7,552,607	B2 *	6/2009	Yang	70/21
D614,281	S *	4/2010	Jeffrey	D23/386
D620,341	S *	7/2010	Rechberg et al.	D8/331
D622,129	S *	8/2010	Spivey et al.	D8/333

* cited by examiner

Primary Examiner — David Muller

(74) *Attorney, Agent, or Firm* — Rodgers & Rodgers

(57) **CLAIM**

The ornamental design for a carbon dioxide transfer connection holder, as shown and described.

DESCRIPTION

FIG. 1 is a perspective view of a carbon dioxide transfer connection holder showing my new design;

FIG. 2 is a top plan view thereof;

FIG. 3 is a front elevational view thereof, the rear being a mirror image thereof;

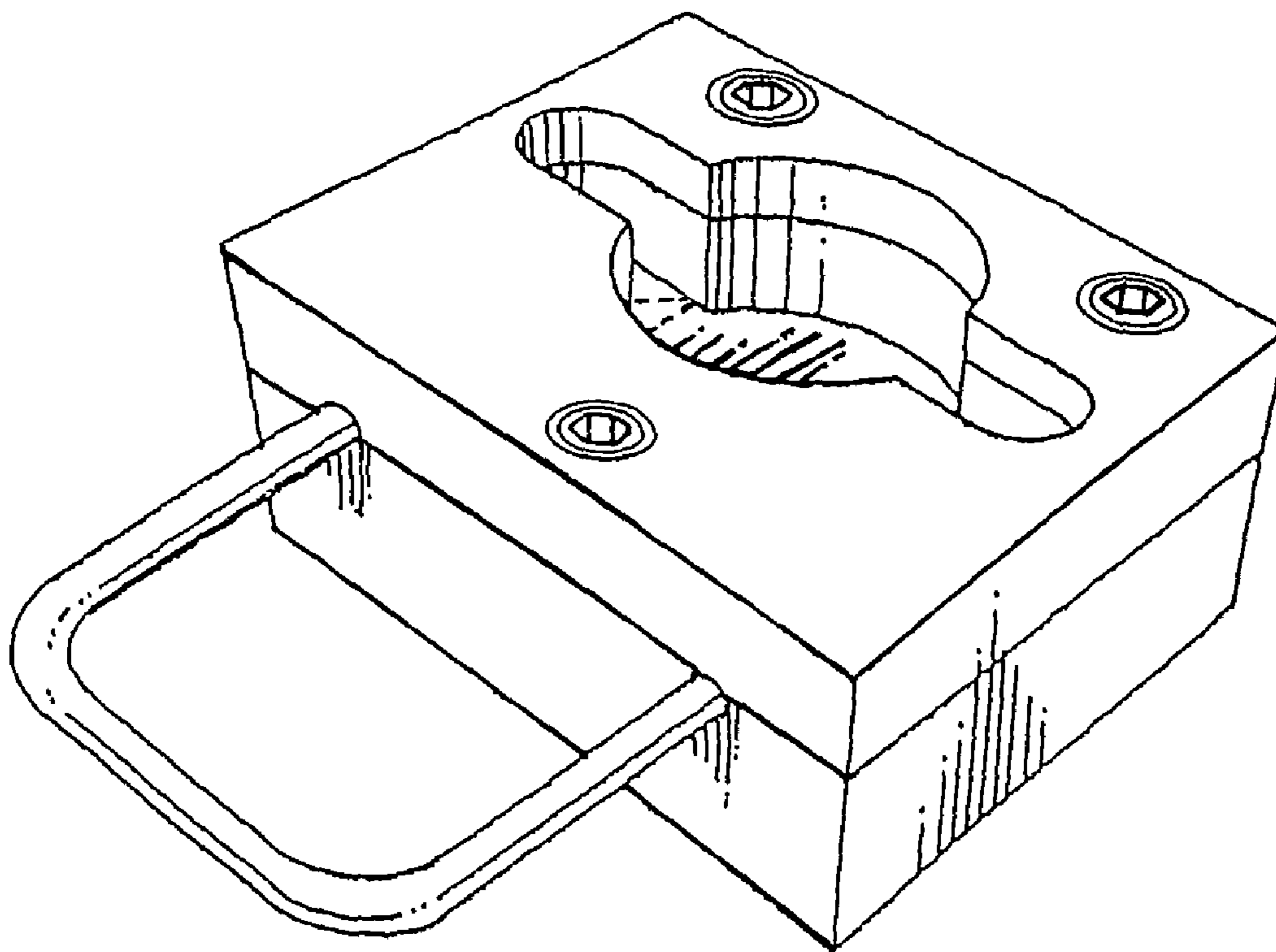
FIG. 4 is a left-side elevational view thereof;

FIG. 5 is a right-side elevational view thereof; and,

FIG. 6 is a bottom plan view thereof.

The broken line showing of parts of the drawings is included for the purpose of illustrating use and environment and forms no part of the claimed design.

1 Claim, 2 Drawing Sheets



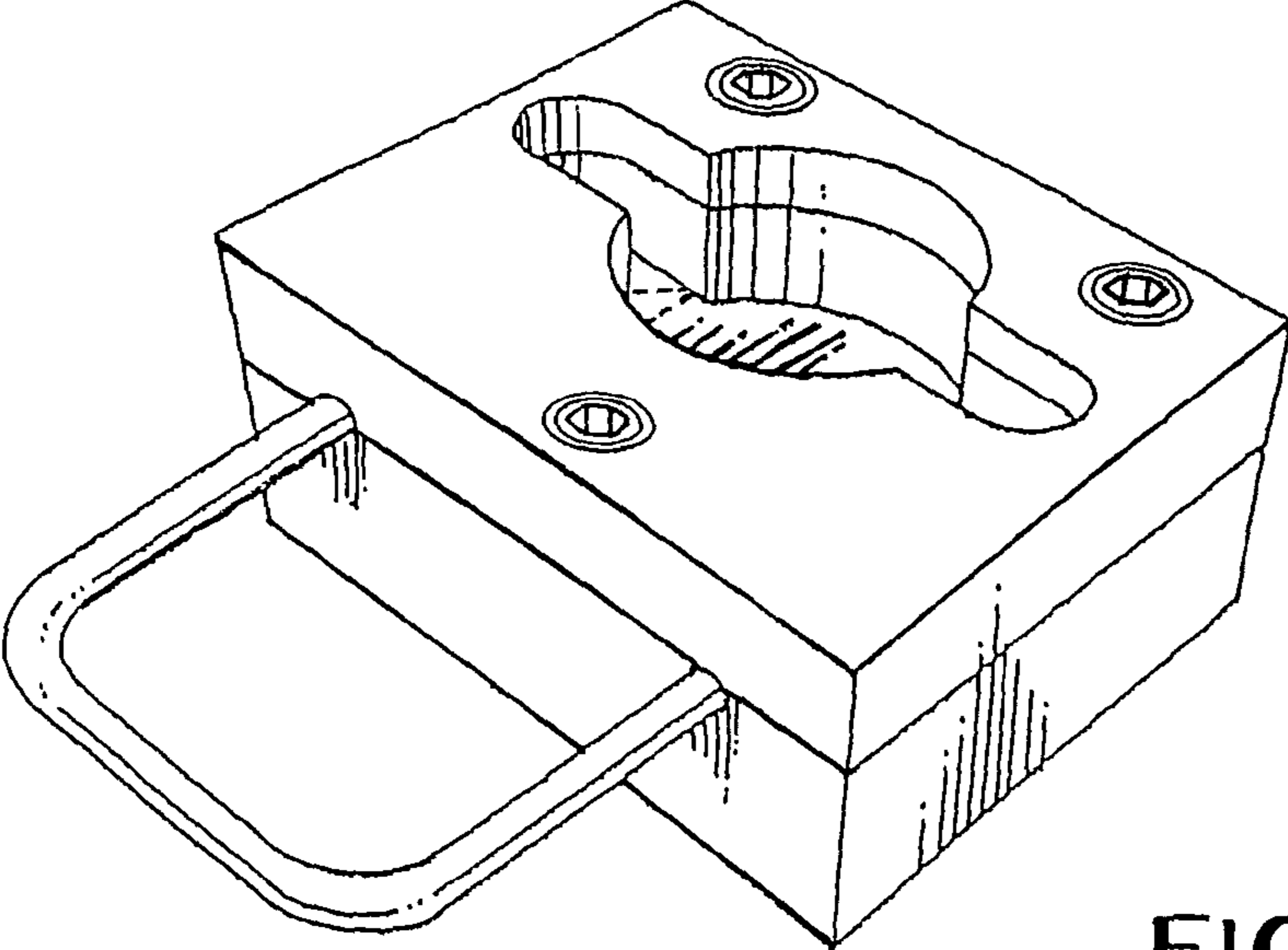


FIG. 1

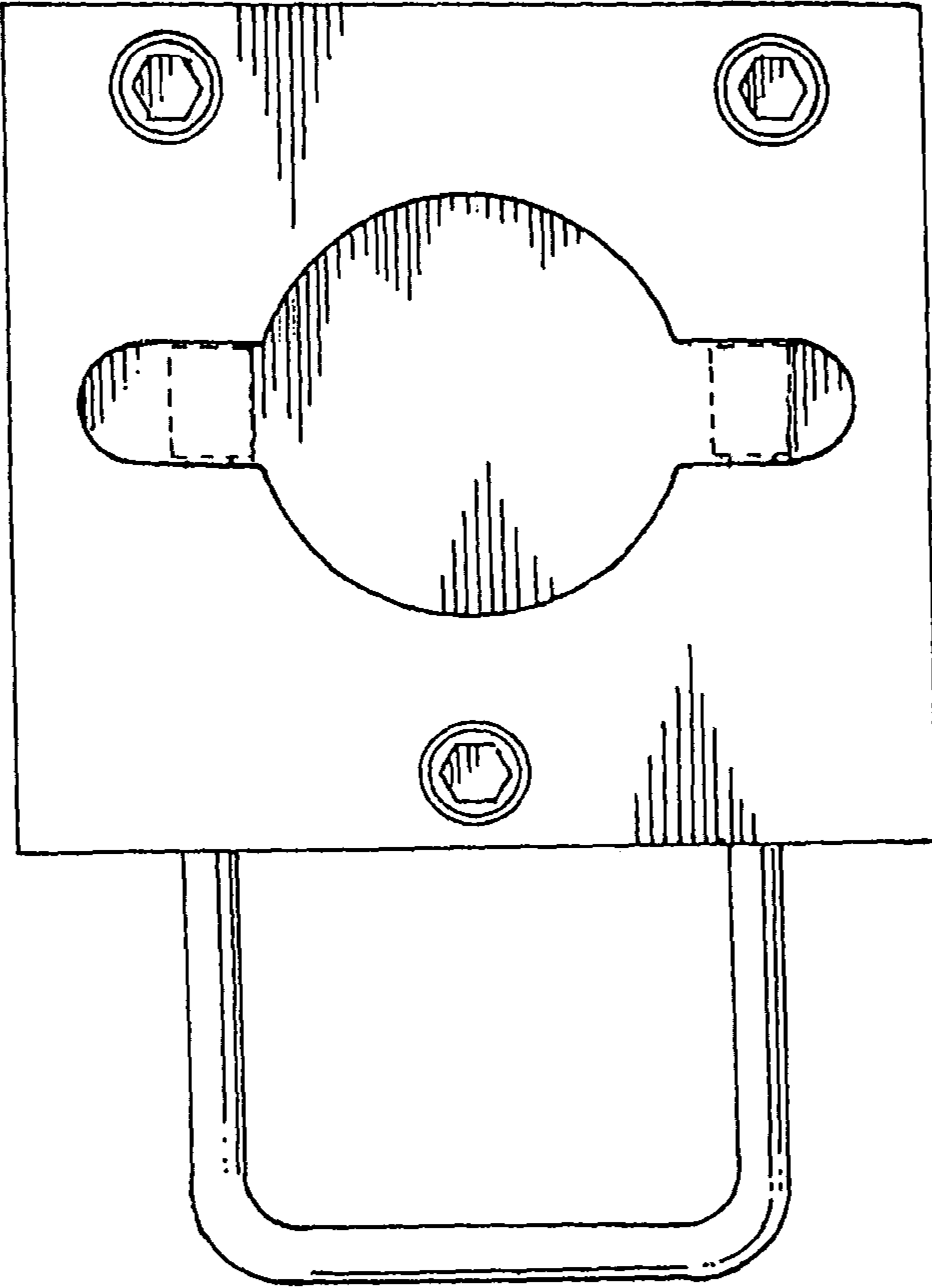


FIG. 2

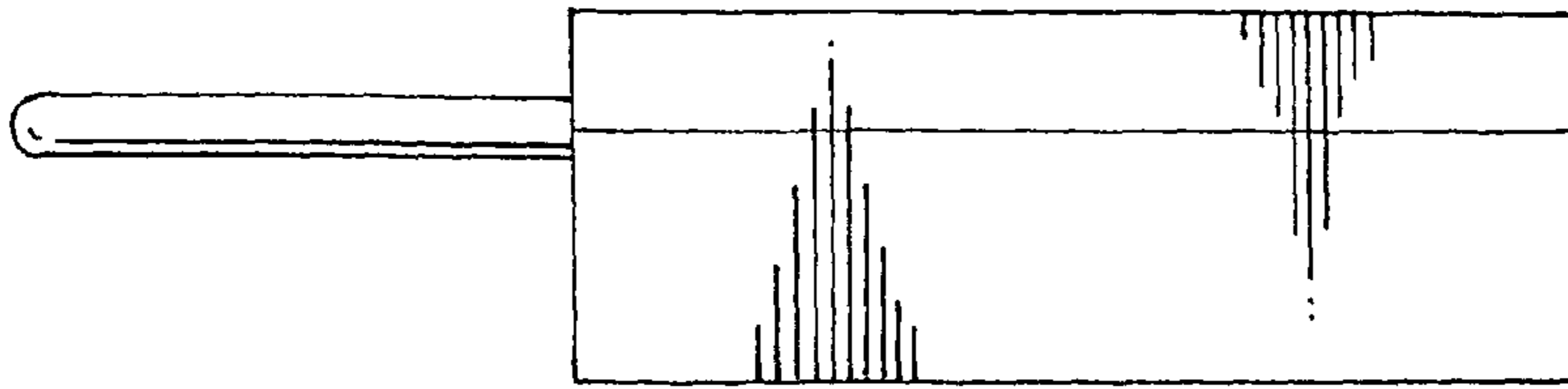


FIG. 3

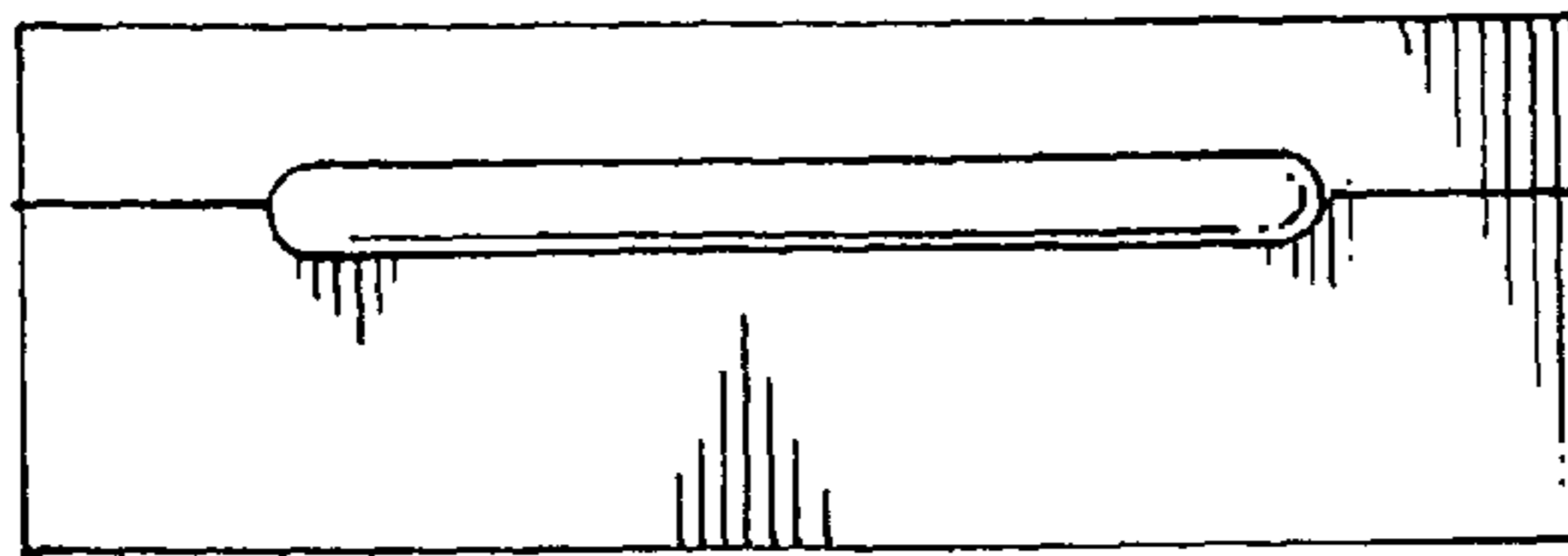


FIG. 4

FIG. 5

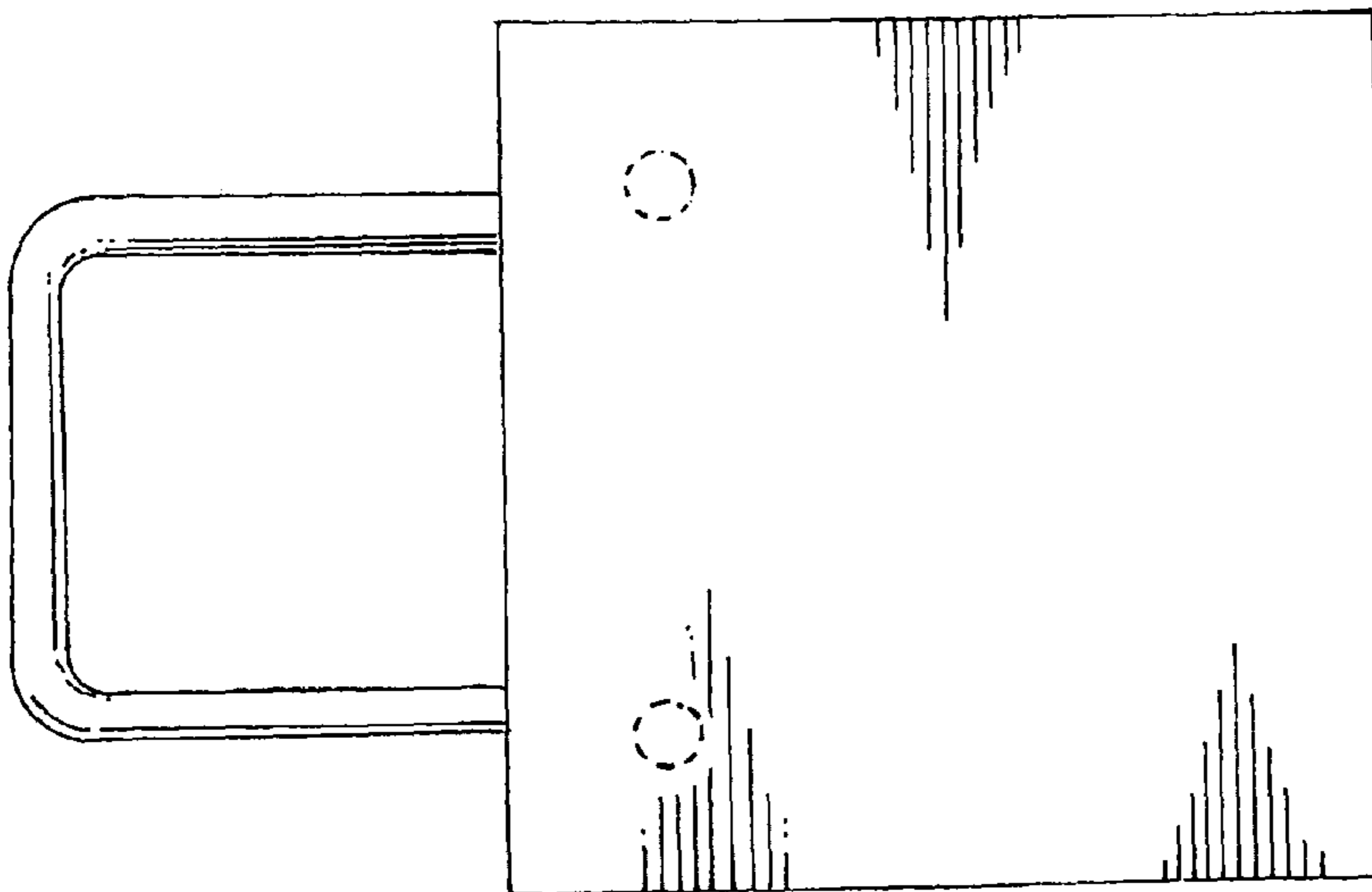
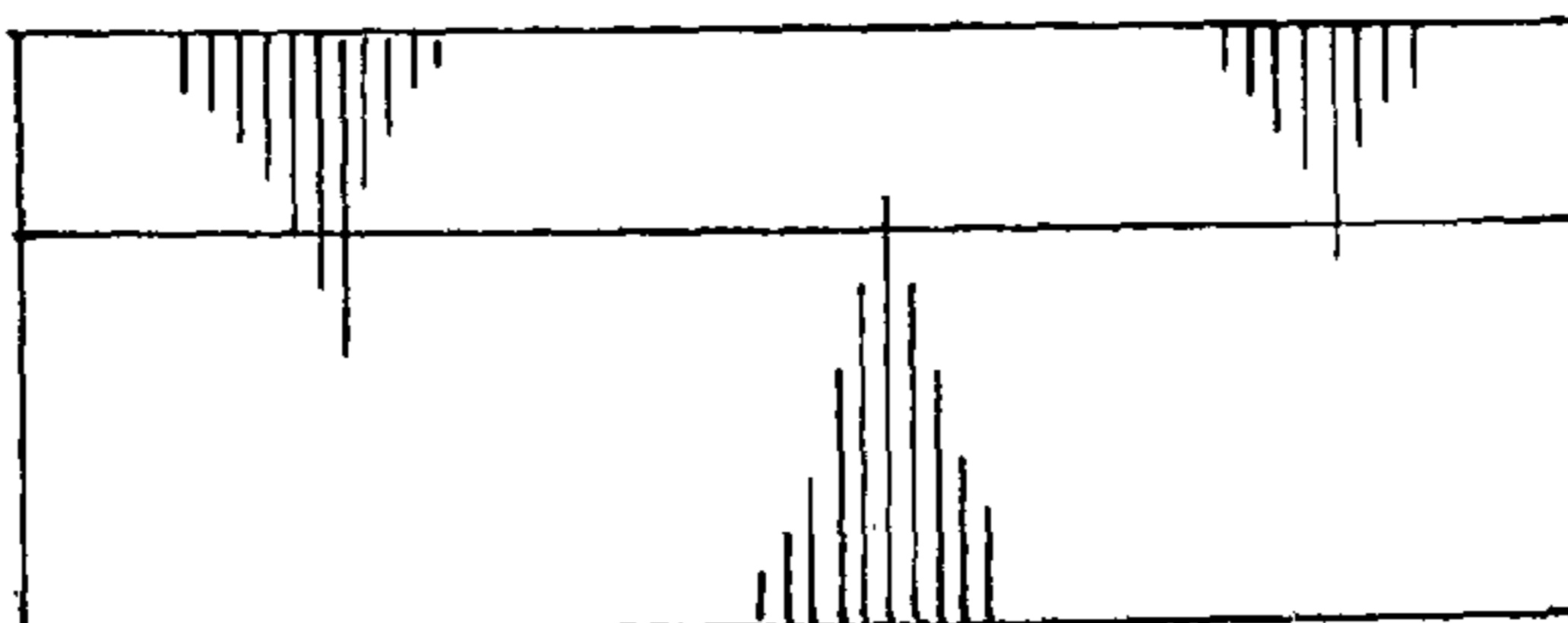


FIG. 6